



US00D756181S

(12) **United States Design Patent**
Lee

(10) **Patent No.:** **US D756,181 S**
(45) **Date of Patent:** **** May 17, 2016**

(54) **RATCHET WRENCH**

(71) Applicant: **Jun Chung Lee**, Taichung (TW)

(72) Inventor: **Jun Chung Lee**, Taichung (TW)

(**) Term: **14 Years**

(21) Appl. No.: **29/516,815**

(22) Filed: **Feb. 6, 2015**

(51) **LOC (10) Cl.** **08-05**

(52) **U.S. Cl.**
USPC **D8/25; D8/27**

(58) **Field of Classification Search**
USPC D8/17, 21-29, 354, 107; 81/60, 177.1,
81/177.85, 121.1, 124.3, 165-170, 110.1,
81/176.2, 124.6, 176.1, 176.15, 177.2,
81/186; 16/110.1; D15/144.1, 143;
219/75, 227, 229, 121.16, 121.18
CPC B25B 13/00; B25B 13/46
See application file for complete search history.

(56) **References Cited**

U.S. PATENT DOCUMENTS

D406,993	S	*	3/1999	Jones	D8/28
D486,366	S	*	2/2004	Tuanmu	D8/25
D504,057	S	*	4/2005	Tuanmu	D8/25
D686,474	S	*	7/2013	Christopher	D8/28

* cited by examiner

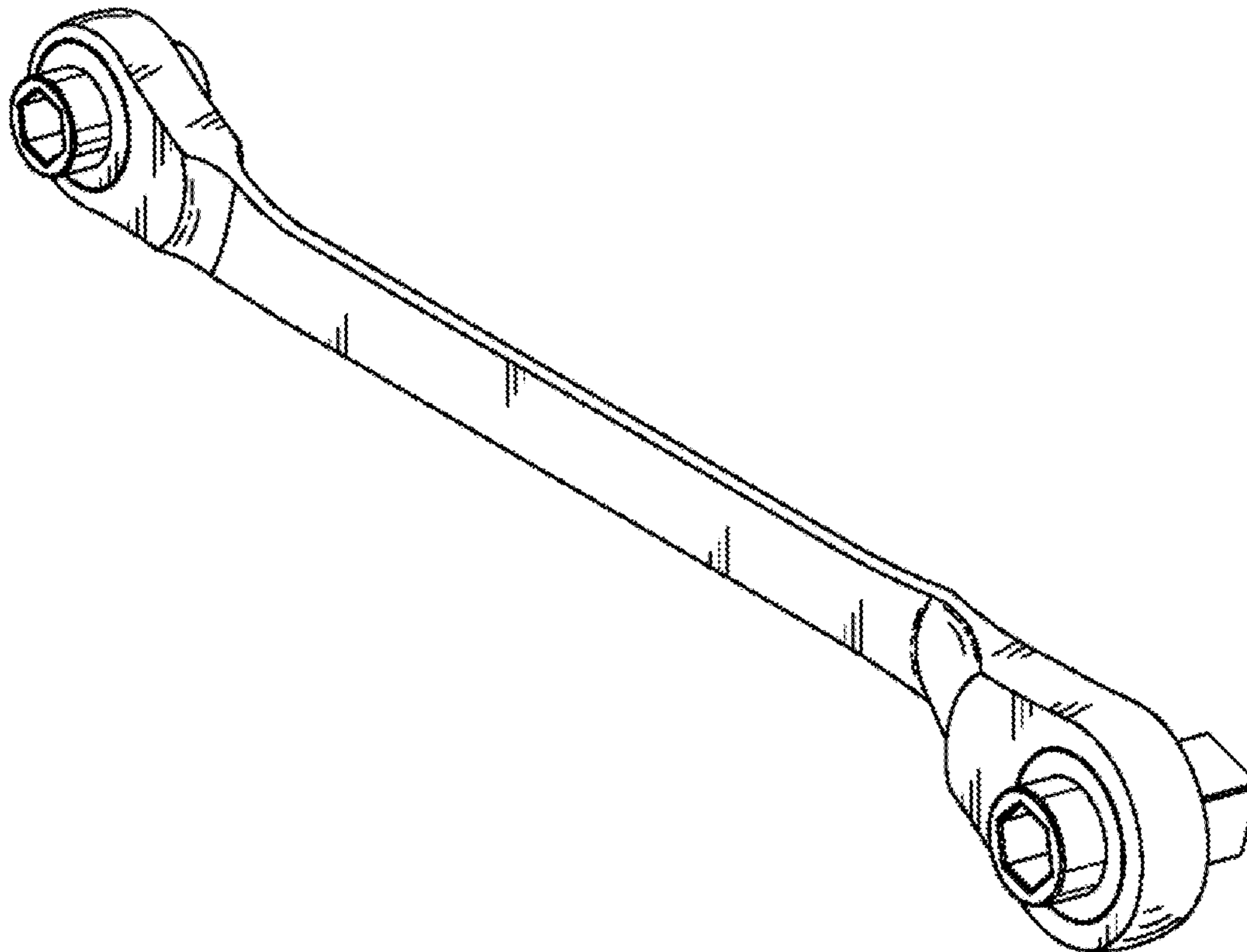
Primary Examiner — Randall Gholson
(74) *Attorney, Agent, or Firm* — Charles E. Baxley

(57) **CLAIM**
The ornamental design for a ratchet wrench, as shown and described.

DESCRIPTION

FIG. 1 is a perspective view of a ratchet wrench showing my new design;
FIG. 2 is a front elevational view thereof;
FIG. 3 is a rear elevational view thereof;
FIG. 4 is a top plan view thereof;
FIG. 5 is a bottom plan view thereof;
FIG. 6 is a left side elevational view thereof; and,
FIG. 7 is a right side elevational view thereof.

1 Claim, 3 Drawing Sheets



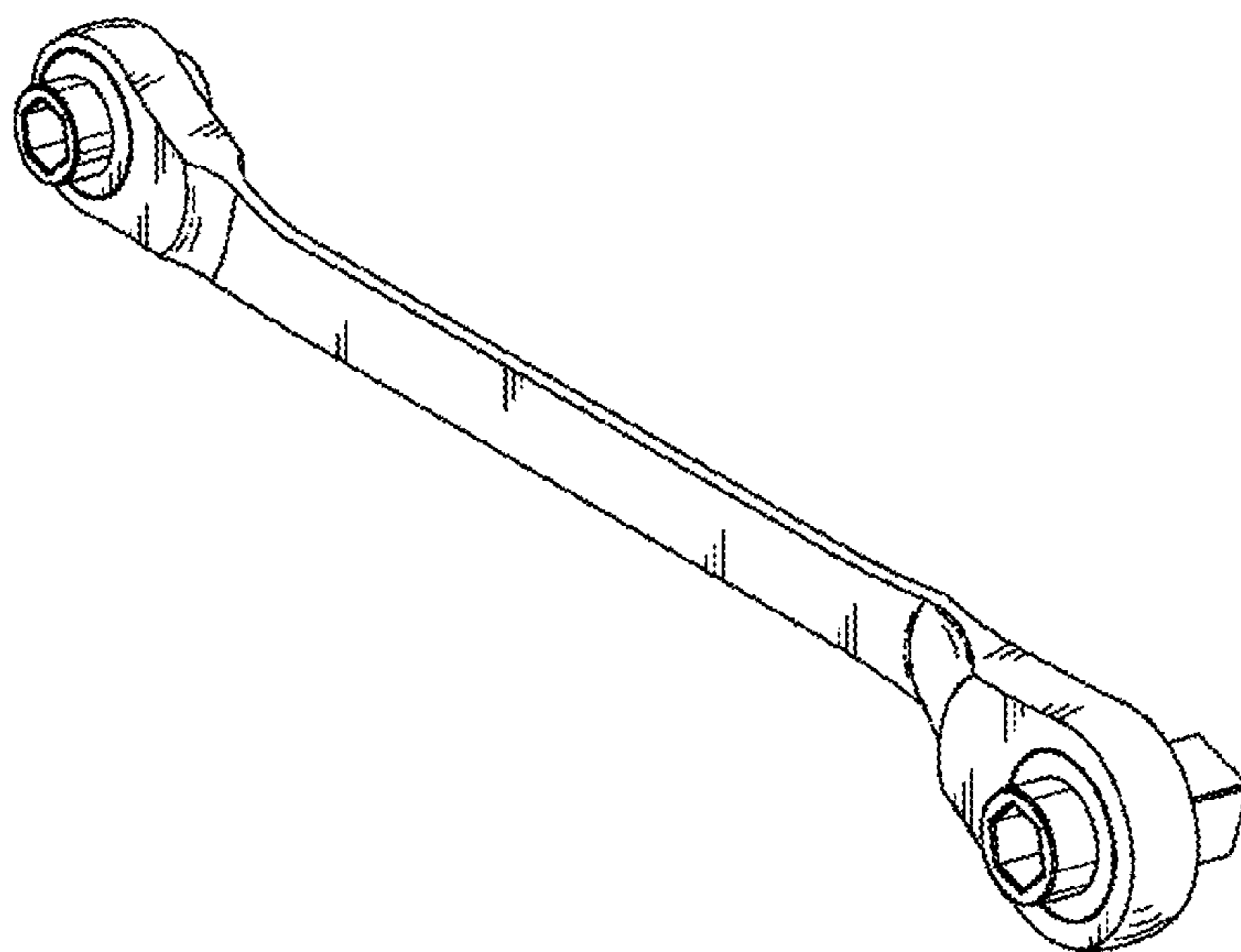


FIG. 1

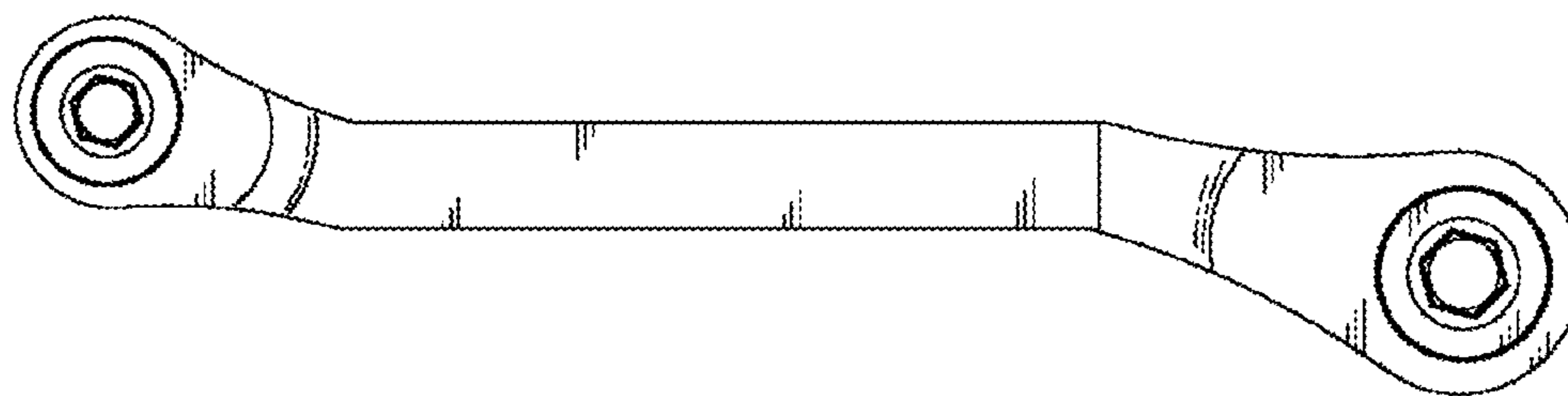


FIG. 2

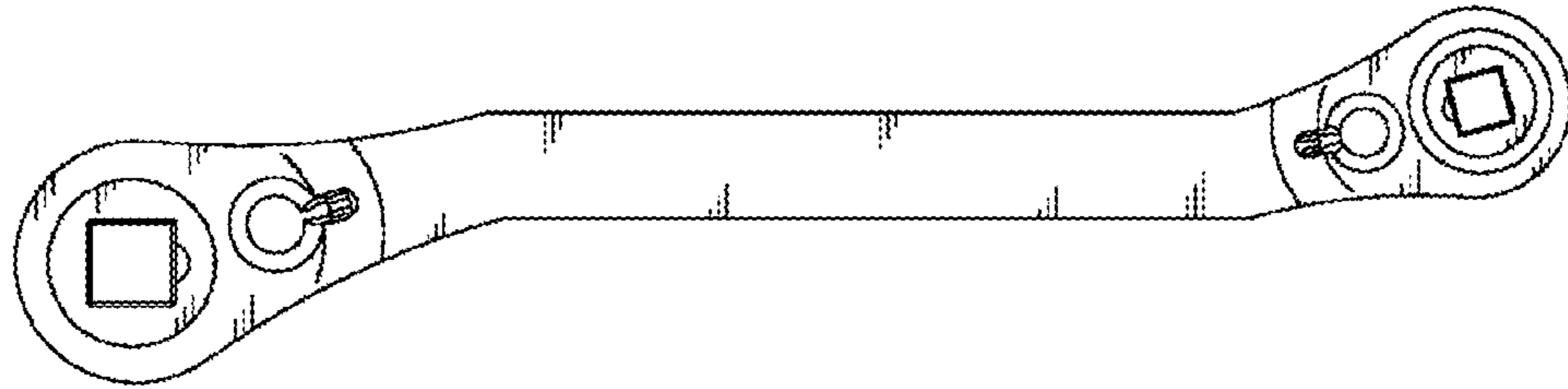


FIG. 3

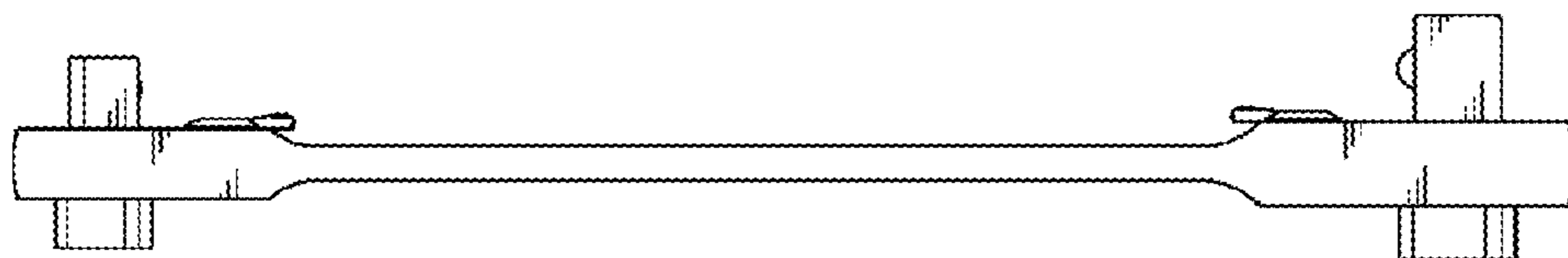


FIG. 4

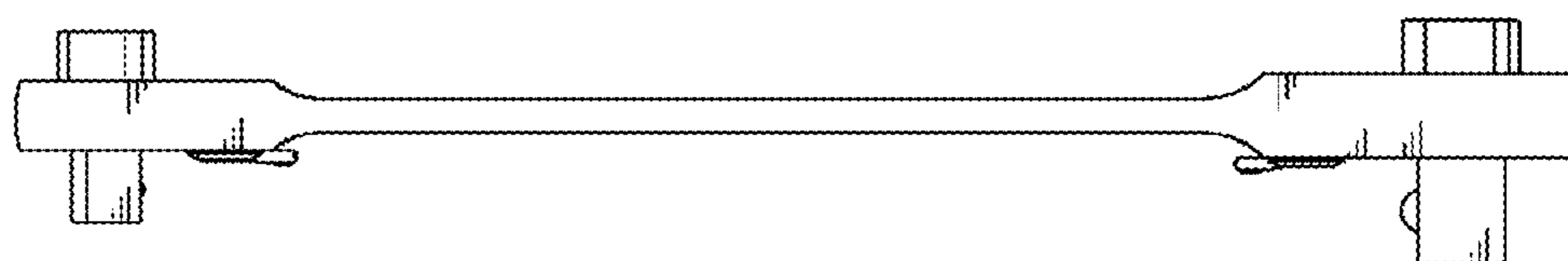


FIG. 5

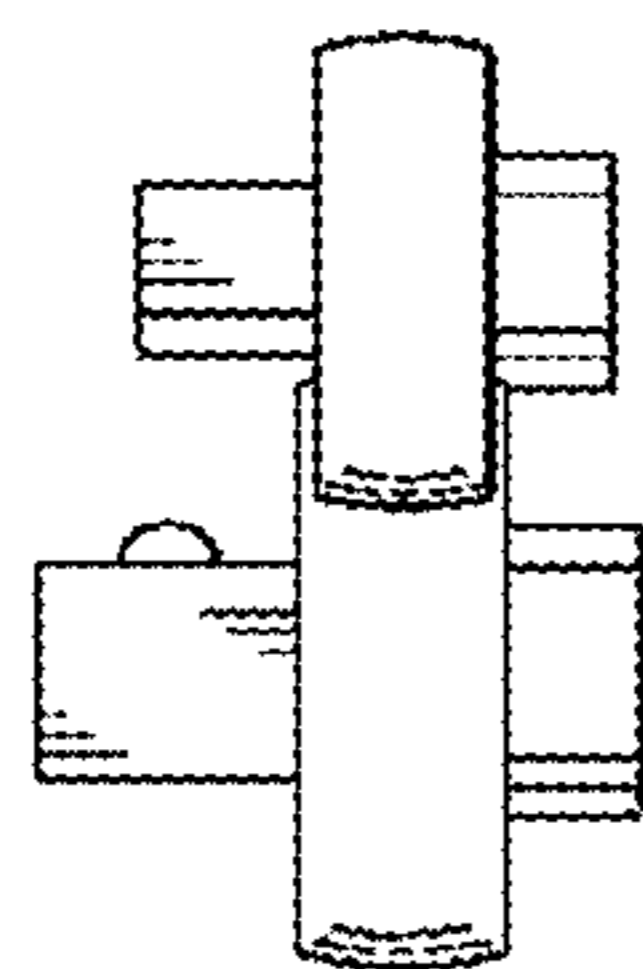


FIG. 6

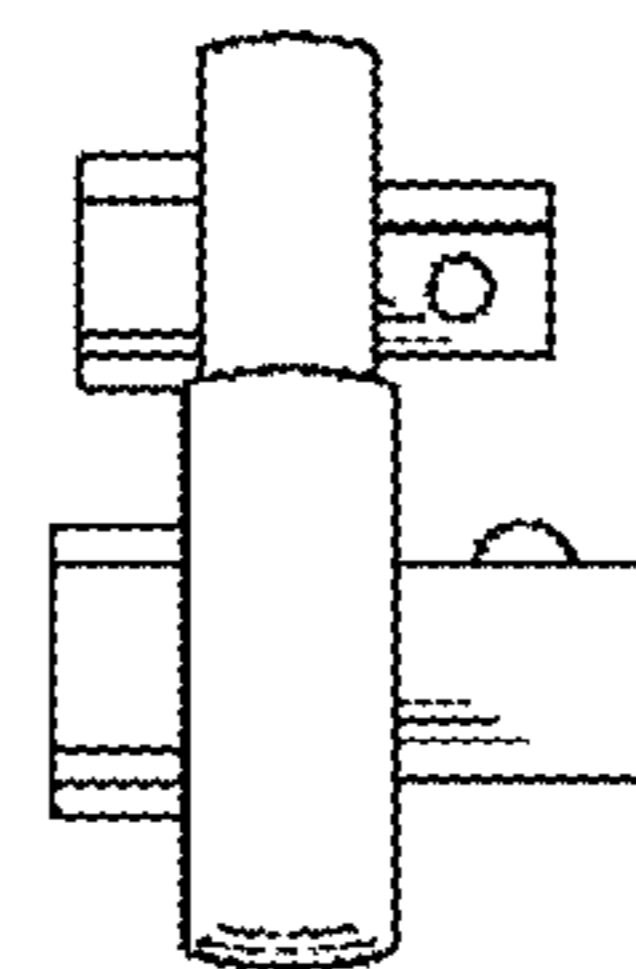


FIG. 7