



US00D756180S

(12) **United States Design Patent**
Chen

(10) **Patent No.:** **US D756,180 S**
(45) **Date of Patent:** **** May 17, 2016**

- (54) **HAND TOOL ADAPTER**
- (71) Applicant: **Chao-Ming Chen**, Taichung (TW)
- (72) Inventor: **Chao-Ming Chen**, Taichung (TW)
- (**) Term: **14 Years**
- (21) Appl. No.: **29/487,563**
- (22) Filed: **Apr. 10, 2014**
- (51) **LOC (10) Cl.** **08-05**
- (52) **U.S. Cl.**
USPC **D8/25**
- (58) **Field of Classification Search**
USPC 81/58, 58.1, 59.1, 60, 61, 62, 63, 63.1,
81/63.2, 121.1, 125, 177.1, 177.2, 177.85,
81/180.1, 489; D8/25
CPC B25B 13/00; B25B 13/48; B25B 23/02;
B25B 23/10; B25G 1/10; B25G 1/00
See application file for complete search history.

- 5,152,196 A * 10/1992 Garrett 81/58.1
- 5,158,458 A * 10/1992 Perry 433/141
- 6,138,531 A * 10/2000 Lamons 81/60
- D500,436 S * 1/2005 Chen D8/29
- 7,093,519 B1 * 8/2006 Huang 81/60
- D556,007 S * 11/2007 Hung D8/107
- D657,214 S * 4/2012 Chen D8/25
- D675,893 S * 2/2013 Chen D8/25

* cited by examiner

Primary Examiner — Randall Gholson
(74) *Attorney, Agent, or Firm* — Raymond Y. Chan; David and Raymond Patent Firm

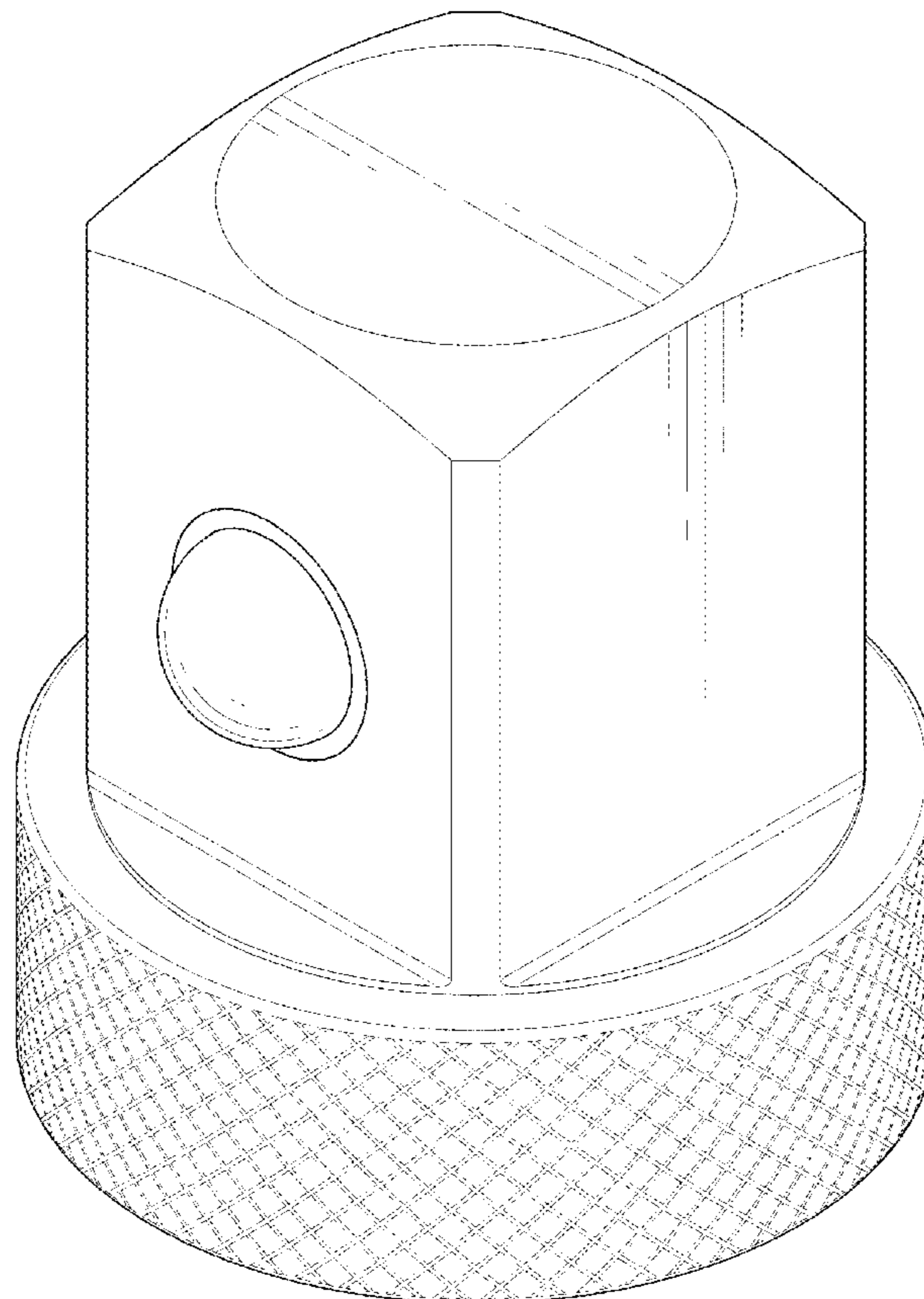
(57) **CLAIM**
The ornamental design for a hand tool adapter, as shown and described.

DESCRIPTION

FIG. 1 is a perspective view of hand tool adapter showing my new design.
FIG. 2 is a front elevational view thereof.
FIG. 3 is a rear elevational view thereof.
FIG. 4 is a right side elevational view thereof.
FIG. 5 is a left side elevational view thereof.
FIG. 6 is a top plan view thereof; and,
FIG. 7 is a bottom plan view thereof, wherein the broken line portion of the figure drawing is included to show unclaimed subject matter only and forms no part of the claimed design.

1 Claim, 7 Drawing Sheets

- (56) **References Cited**
U.S. PATENT DOCUMENTS
3,662,628 A * 5/1972 Schnepel 81/474
4,762,033 A * 8/1988 Chow 81/63.2
4,791,837 A * 12/1988 Main 81/63.1
5,005,448 A * 4/1991 Main 81/63
5,070,563 A * 12/1991 Tervola 7/169



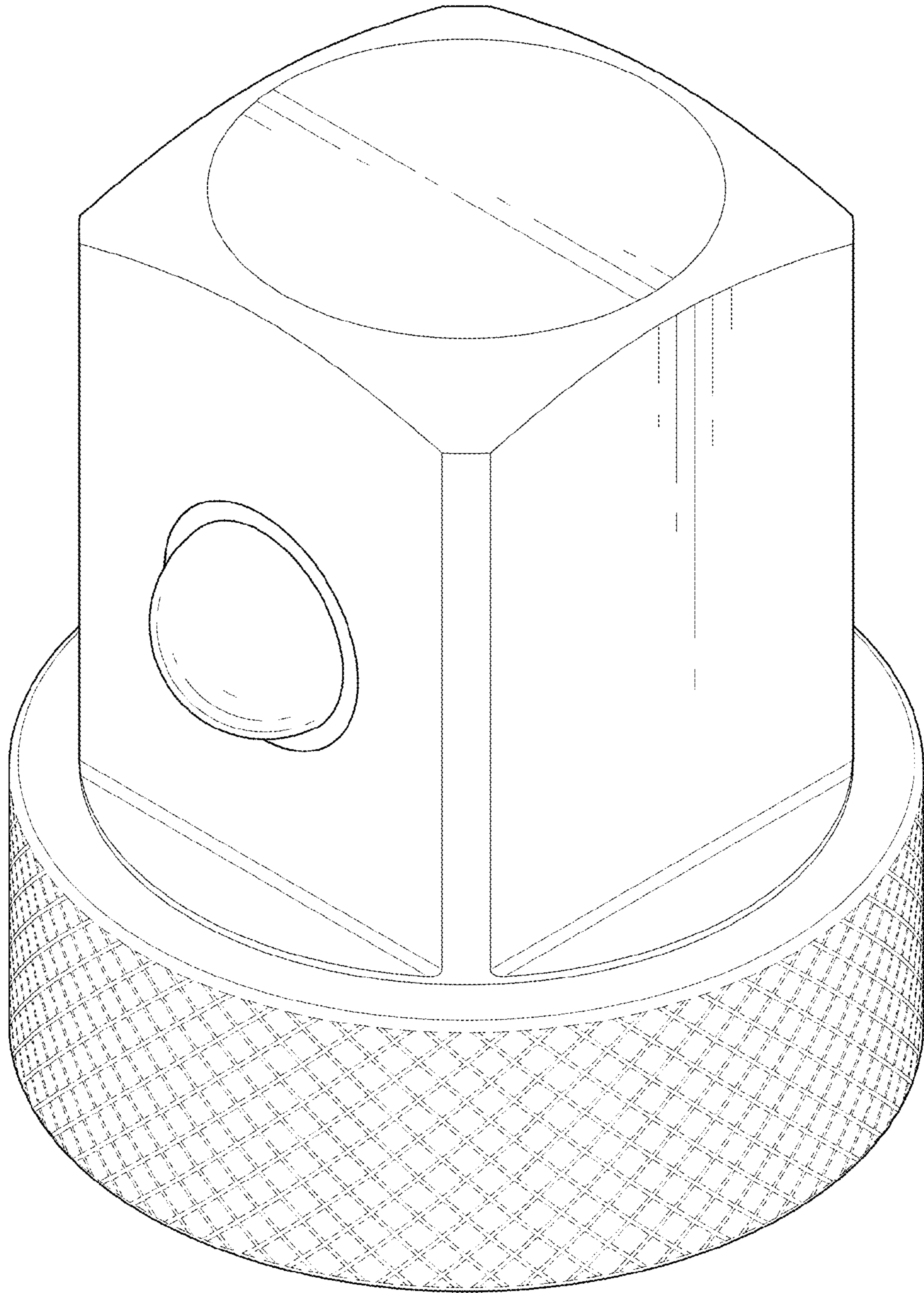


FIG. 1

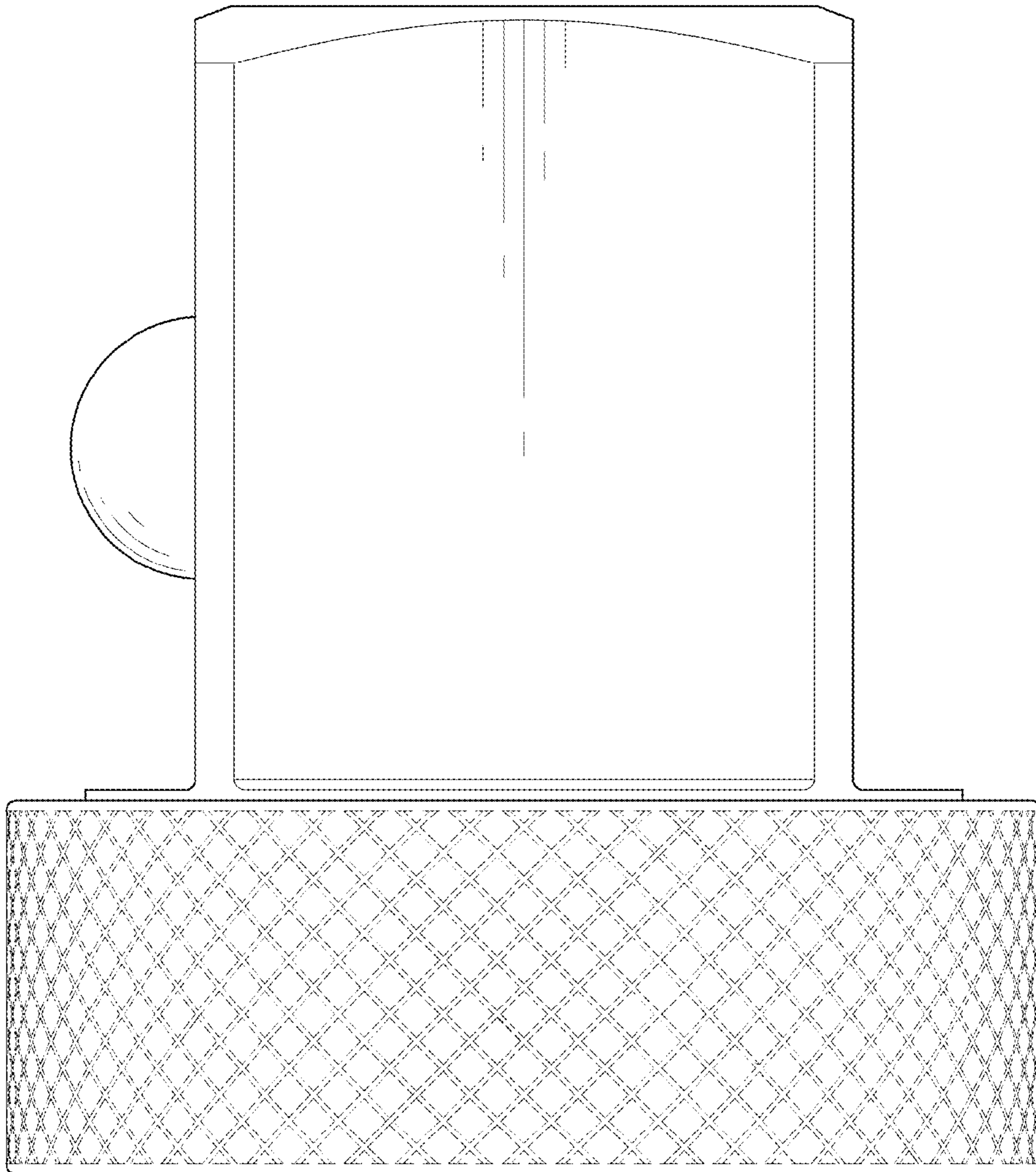


FIG. 2

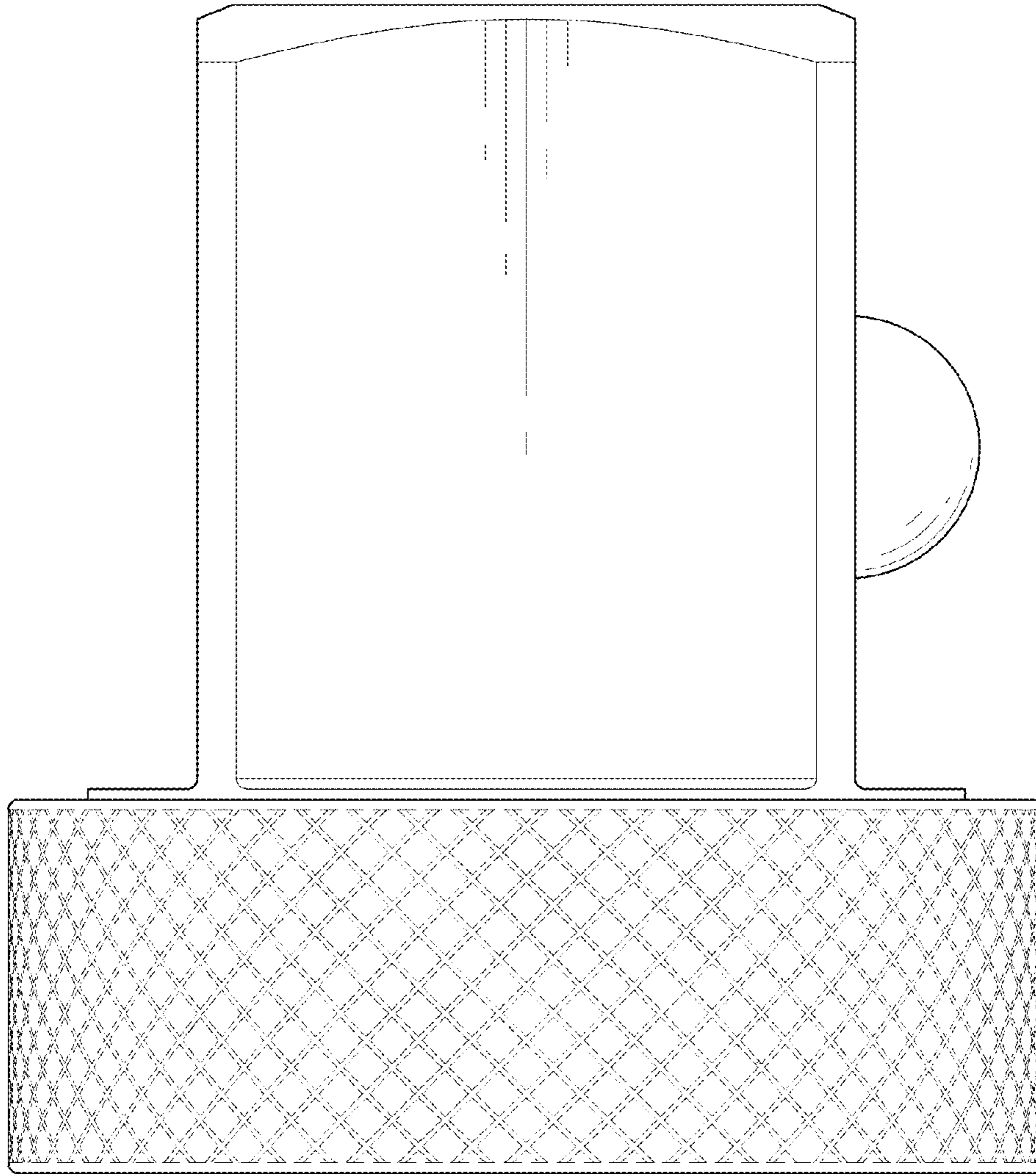


FIG. 3

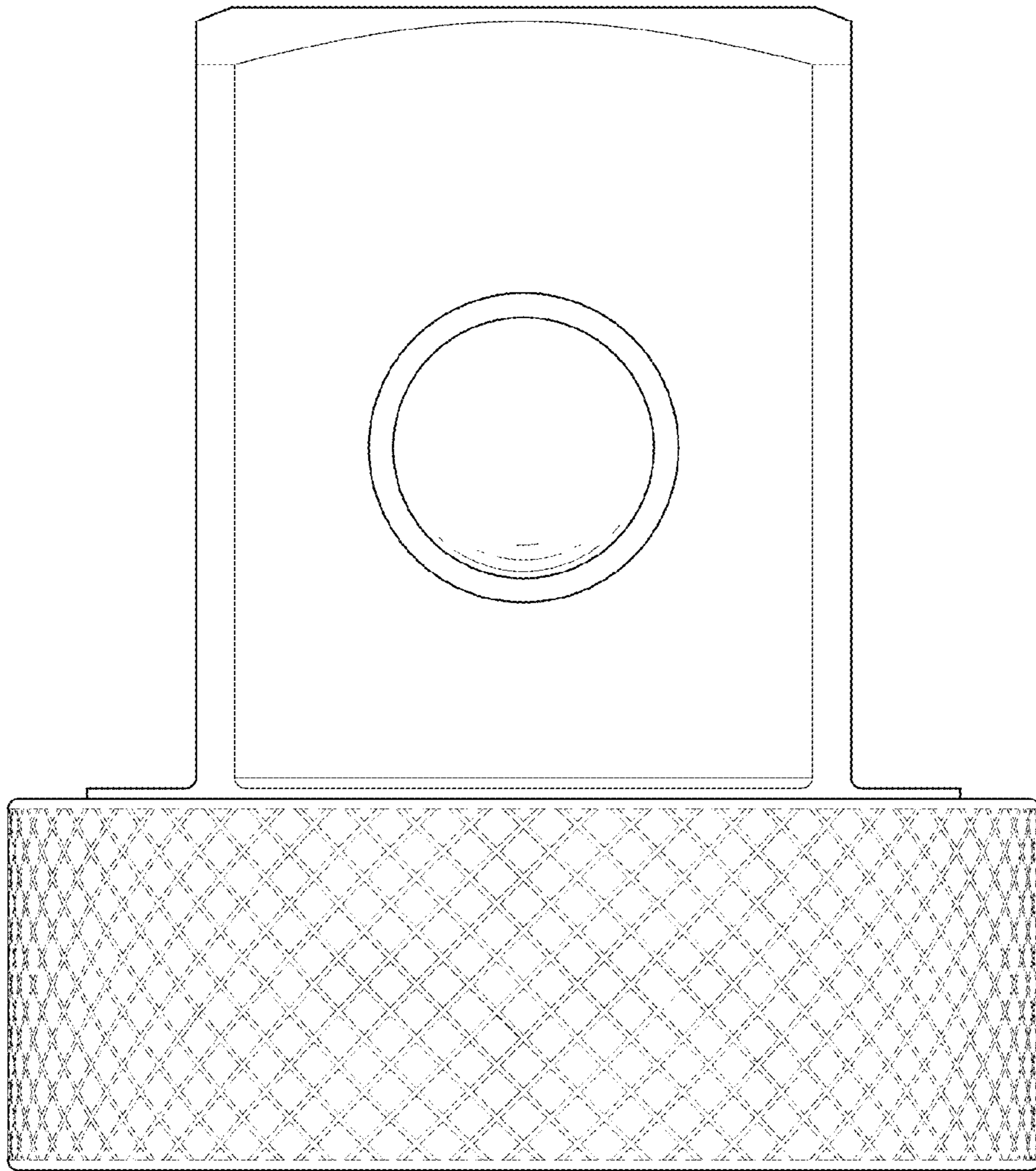


FIG. 4

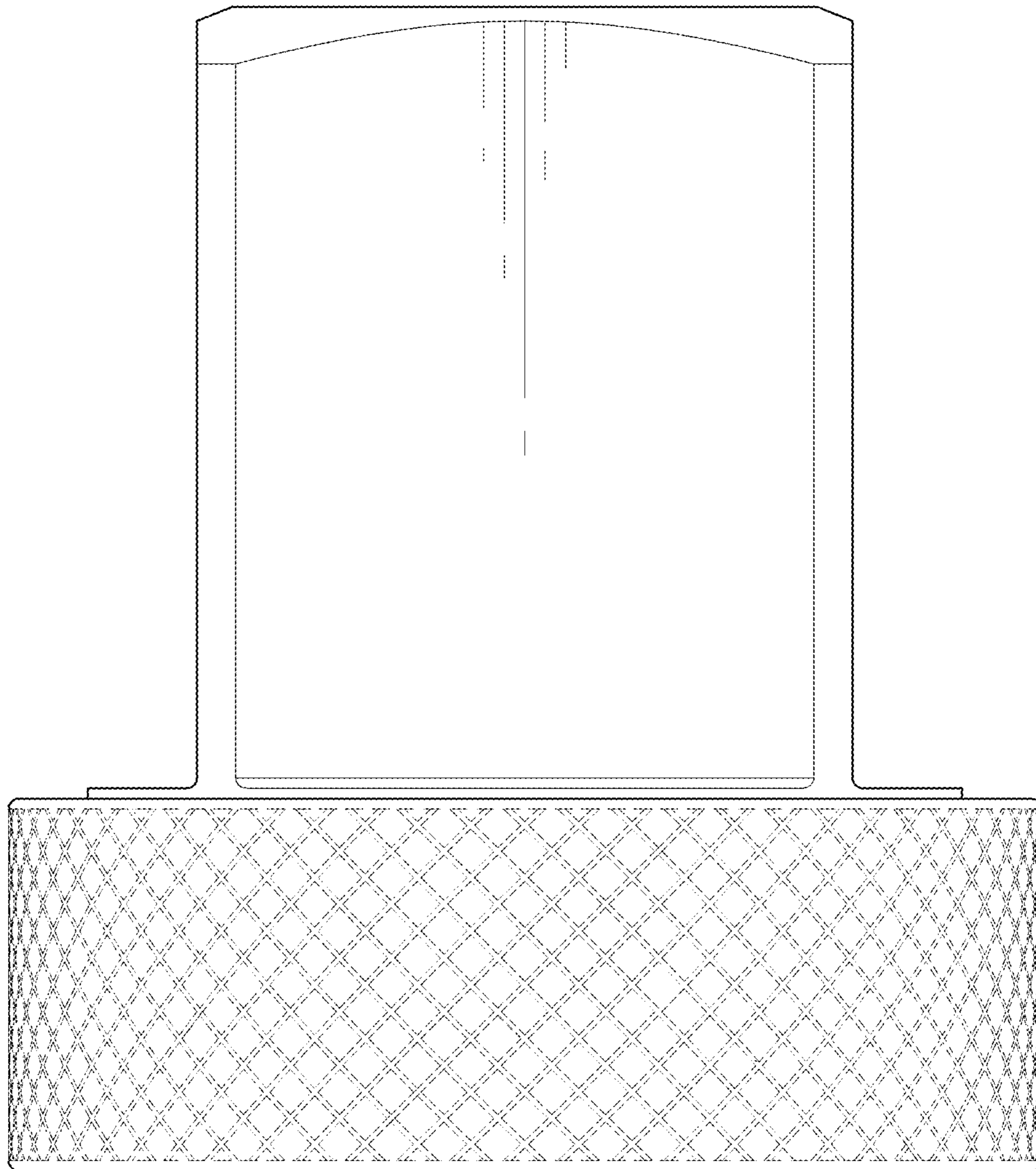


FIG. 5

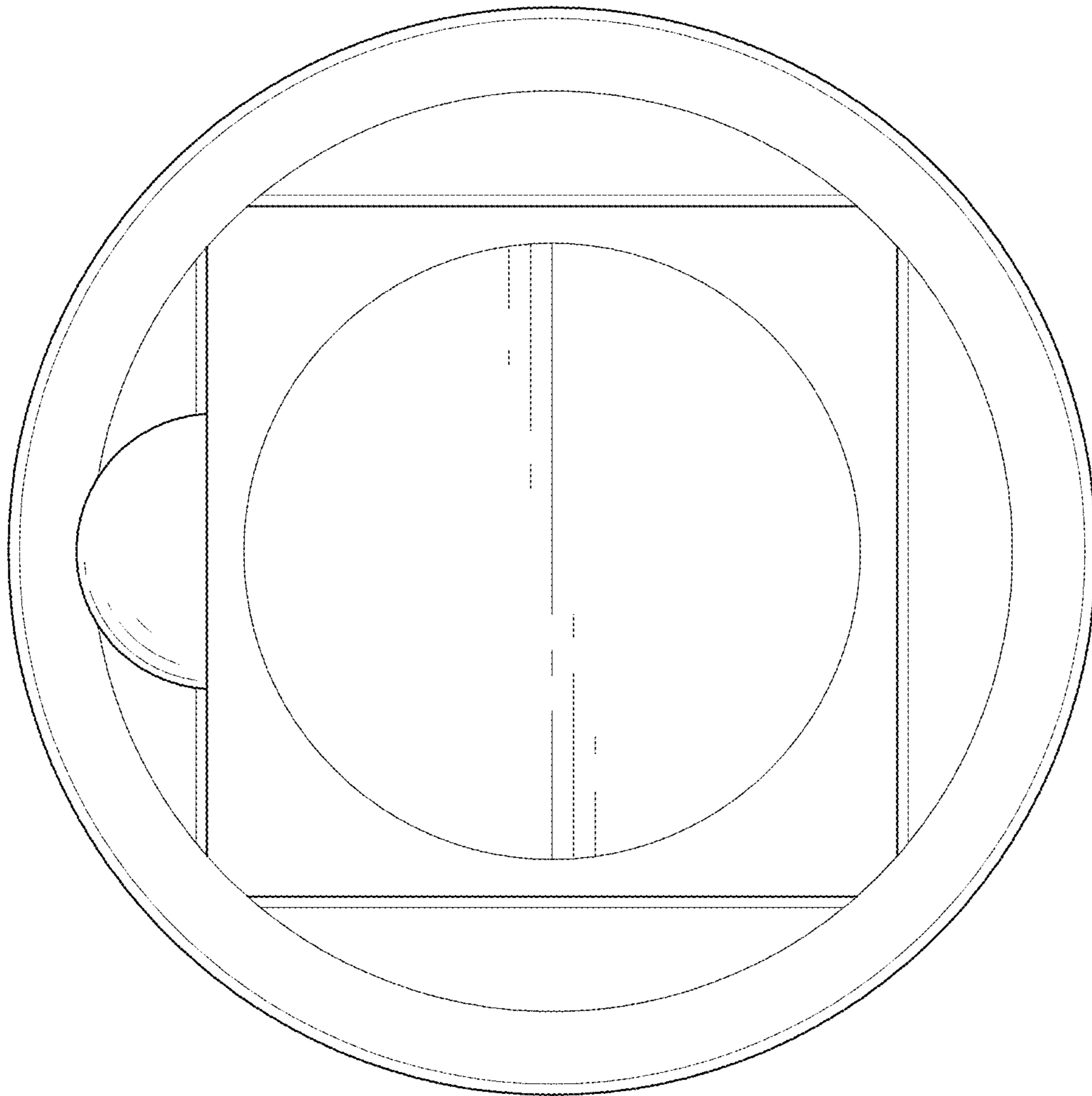


FIG. 6

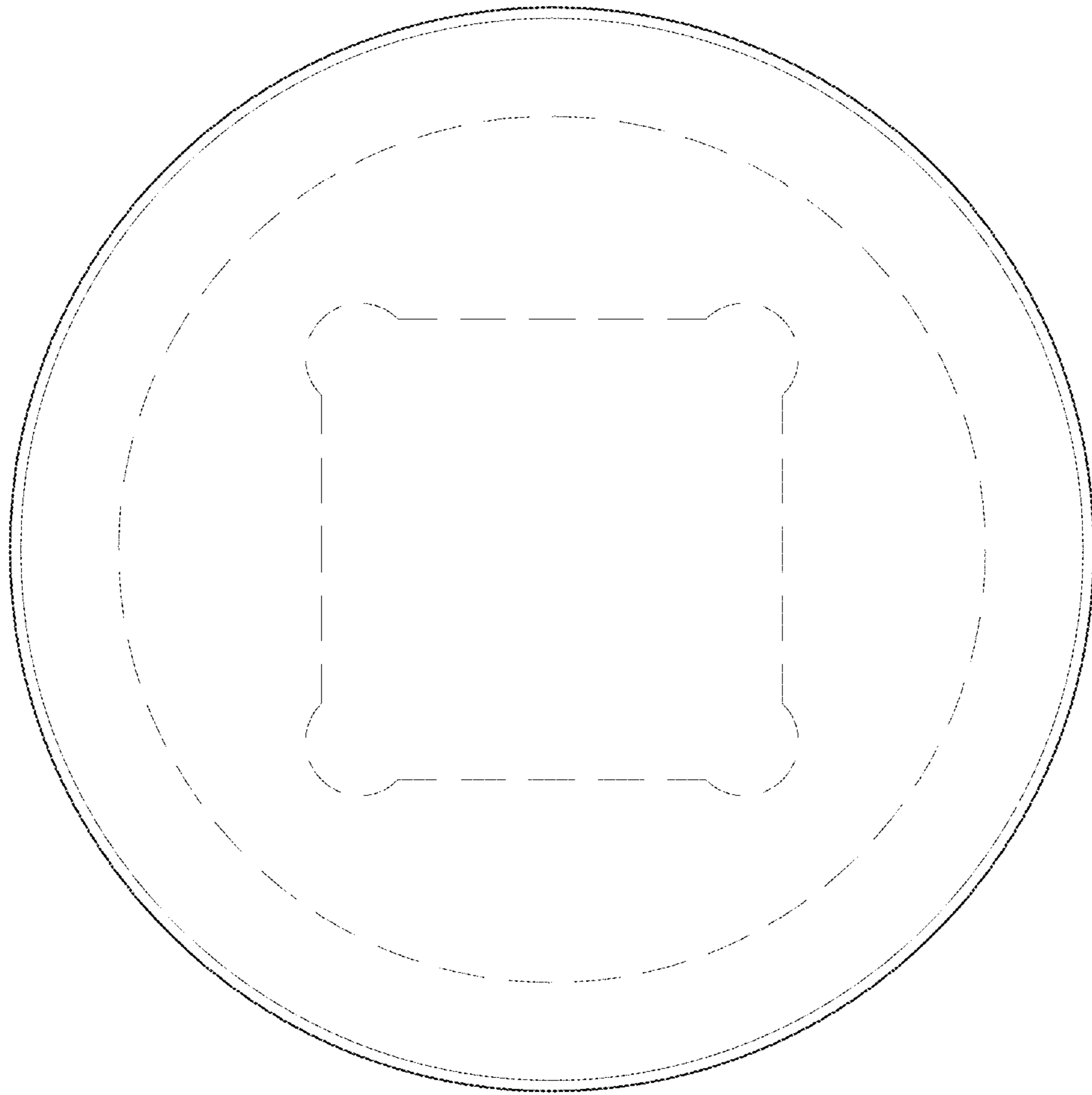


FIG. 7