



US00D756178S

(12) **United States Design Patent**
Kelleghan

(10) **Patent No.:** **US D756,178 S**

(45) **Date of Patent:** **** May 17, 2016**

(54) **BUCKLE WITH TOOL SURFACES**
(71) Applicant: **Bison Designs, LLC**, Longmont, CO
(US)

D109,632 S 5/1938 Whitehouse
D122,575 S 9/1940 Smiley
D142,163 S 6/1945 De Woskin

(Continued)

(72) Inventor: **Brian James Kelleghan**, Longmont, CO
(US)

FOREIGN PATENT DOCUMENTS

(73) Assignee: **Bison Designs, LLC**, Longmont, CO
(US)

CN 202112440 U 1/2012

(**) Term: **14 Years**

Primary Examiner — Robert M Spear

Assistant Examiner — Eliza Bennett-Hattan

(21) Appl. No.: **29/520,728**

(74) *Attorney, Agent, or Firm* — Polson Intellectual Property Law, PC; Margaret Polson

(22) Filed: **Mar. 17, 2015**

(57) **CLAIM**

The ornamental design for buckle with tool surfaces, as shown and described.

DESCRIPTION

Related U.S. Application Data

(62) Division of application No. 29/461,734, filed on Jul. 26, 2013.

(51) **LOC (10) Cl.** **08-05**

(52) **U.S. Cl.**
USPC **D8/19; D2/639**

(58) **Field of Classification Search**
USPC D8/16, 18, 19, 20, 105, 363, 366,
D8/370–377, 380–382, 356, 45, 358, 359;
D3/24; D15/16; D10/61, 62
CPC B25F 1/00; B25F 1/02; A45F 2200/0575;
G01B 5/18

See application file for complete search history.

(56) **References Cited**

U.S. PATENT DOCUMENTS

D33,779 S * 12/1900 Madern et al. D8/371
1,899,203 A 2/1933 Labreche

FIG. 1 is a front side elevation view of my new design for a buckle with tool surfaces.

FIG. 2 is a right side elevation view of FIG. 1.

FIG. 3 is a left side elevation view of FIG. 1.

FIG. 4 is a top side plan view of FIG. 1.

FIG. 5 is a bottom side plan view of FIG. 1.

FIG. 6 is a back side elevation view of FIG. 1.

FIG. 7 a front perspective view of FIG. 1.

FIG. 8 a front side elevation view of a second embodiment of my new design for a buckle with tool surfaces.

FIG. 9 is a right side elevation view of FIG. 8.

FIG. 10 is a left side elevation view of FIG. 8.

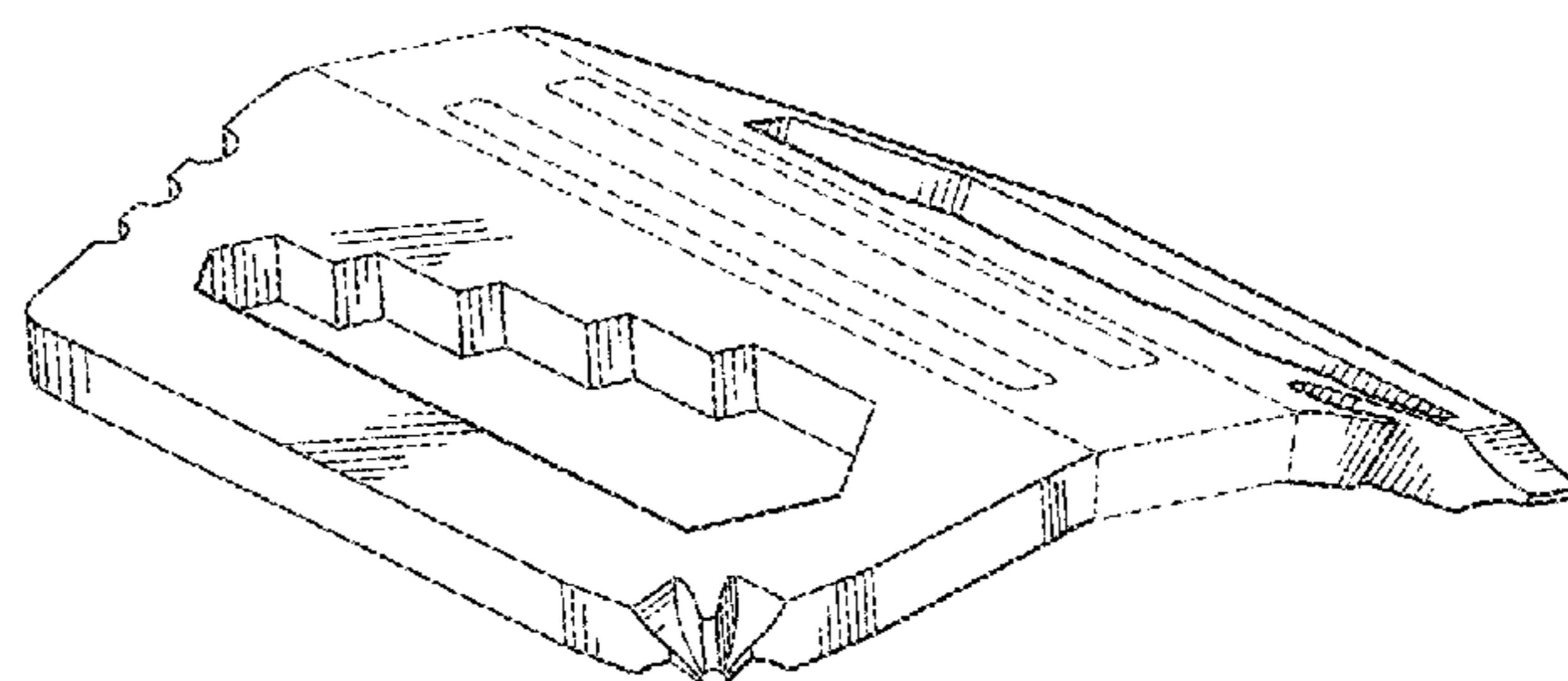
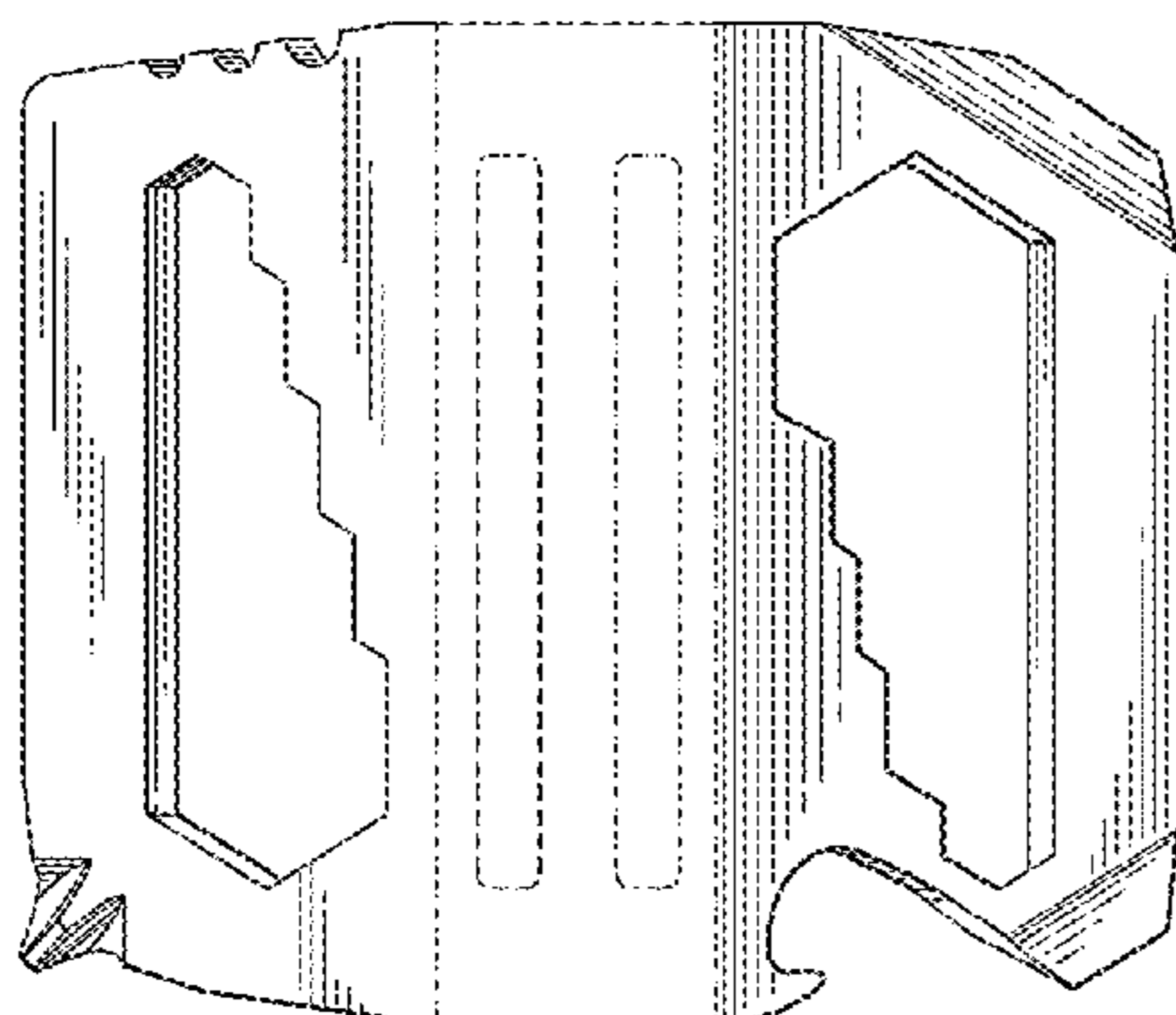
FIG. 11 is a top side plan view of FIG. 8.

FIG. 12 is a bottom side plan view of FIG. 8; and,

FIG. 13 is a back side elevation view of FIG. 8.

The features shown in broken lines in the drawing depict environmental subject matter only and form no part of the claimed design.

1 Claim, 2 Drawing Sheets



(56)

References Cited

U.S. PATENT DOCUMENTS

3,346,930 A 10/1967 Browning
 D218,272 S 8/1970 Bothe
 D231,901 S * 6/1974 Bentley D8/367
 3,823,444 A 7/1974 Takabayashi
 D284,521 S 7/1986 Forrest
 D301,973 S 7/1989 Parella
 D302,232 S 7/1989 Hoffman et al.
 4,967,622 A 11/1990 Phillips
 D313,343 S 1/1991 Sachs
 5,090,277 A 2/1992 Spiller
 D414,995 S 10/1999 Hsieh
 D431,431 S 10/2000 Allen et al.
 D434,621 S 12/2000 Tonkin
 D468,977 S 1/2003 Graff et al.

D477,197 S 7/2003 Yates
 D512,286 S 12/2005 Wolf
 D528,880 S * 9/2006 Belflower D8/16
 D536,280 S 2/2007 Wemmer
 D622,178 S 8/2010 Kelleghan
 D623,030 S 9/2010 Spater
 D624,374 S 9/2010 Walters, III
 D661,959 S 6/2012 Barnhart et al.
 D670,197 S 11/2012 Kelleghan
 D673,433 S 1/2013 Barnhart et al.
 D705,621 S * 5/2014 Tygh D8/19
 D714,185 S 9/2014 Kelleghan
 D716,641 S * 11/2014 Goodman D8/371
 D725,979 S * 4/2015 Breeden, III D8/16
 D730,131 S * 5/2015 Cornell D8/19
 2006/0266160 A1 11/2006 Yeh

* cited by examiner

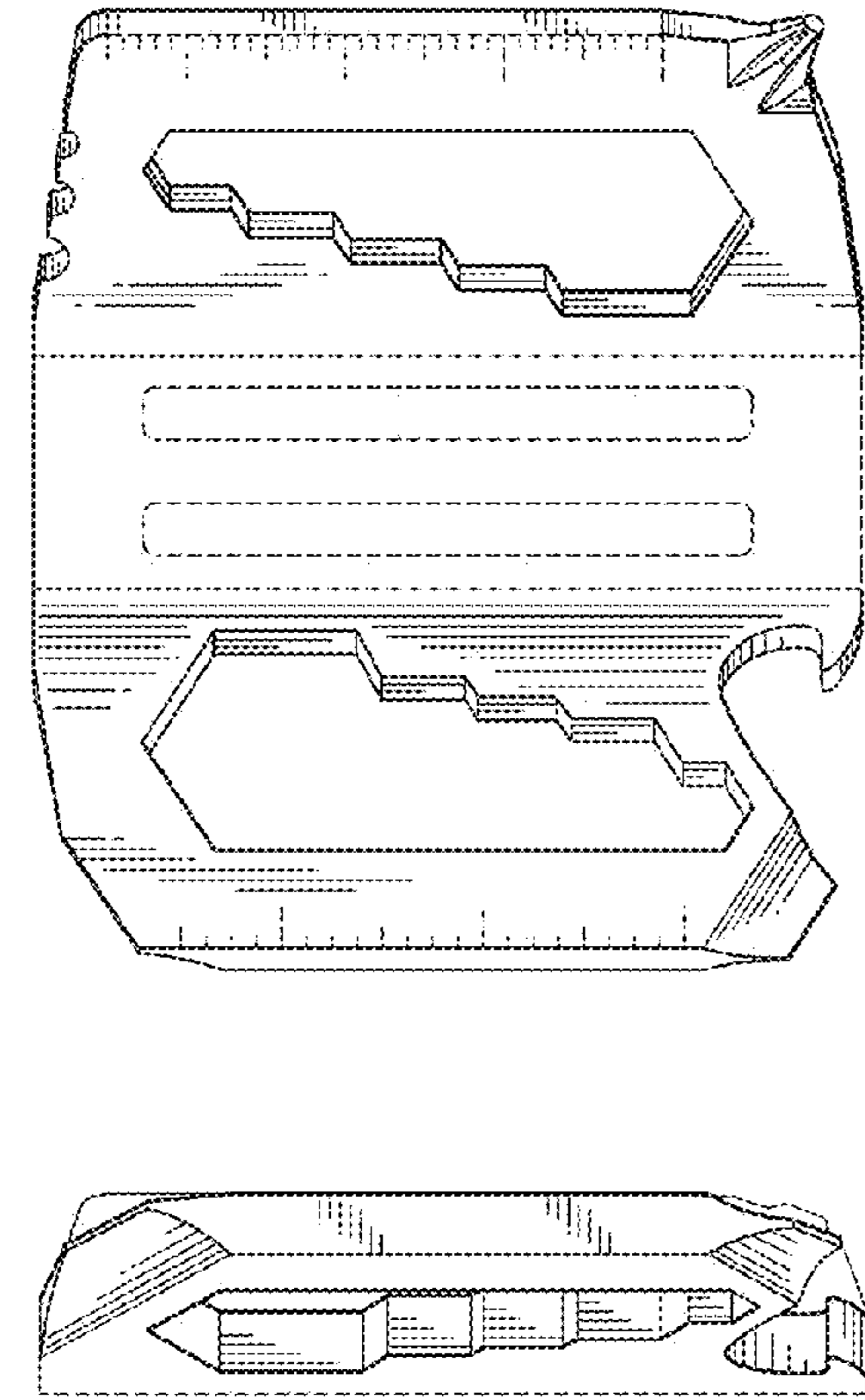


FIG. 1

FIG. 2



FIG. 3

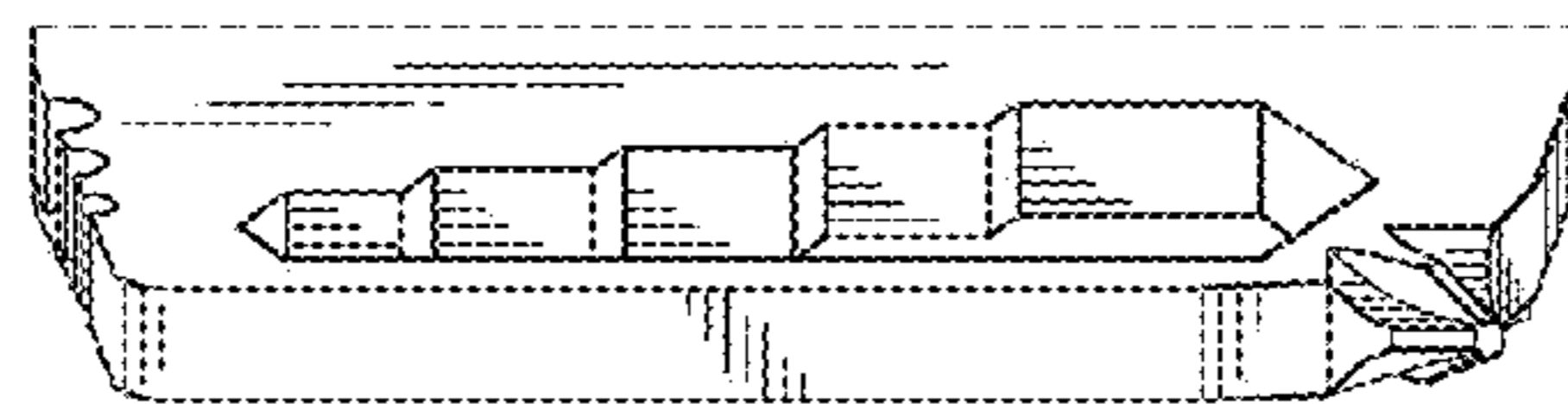


FIG. 4

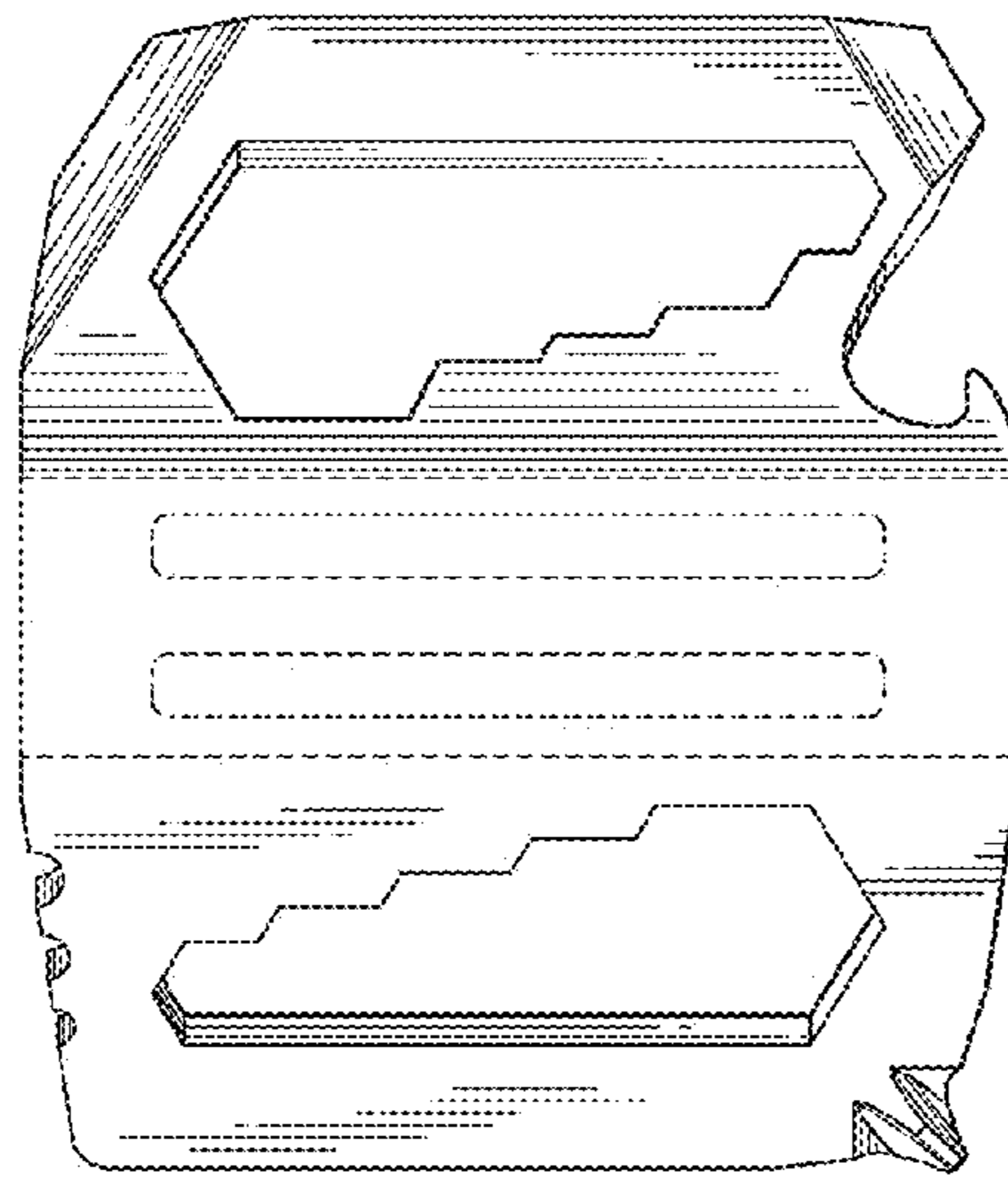


FIG. 5

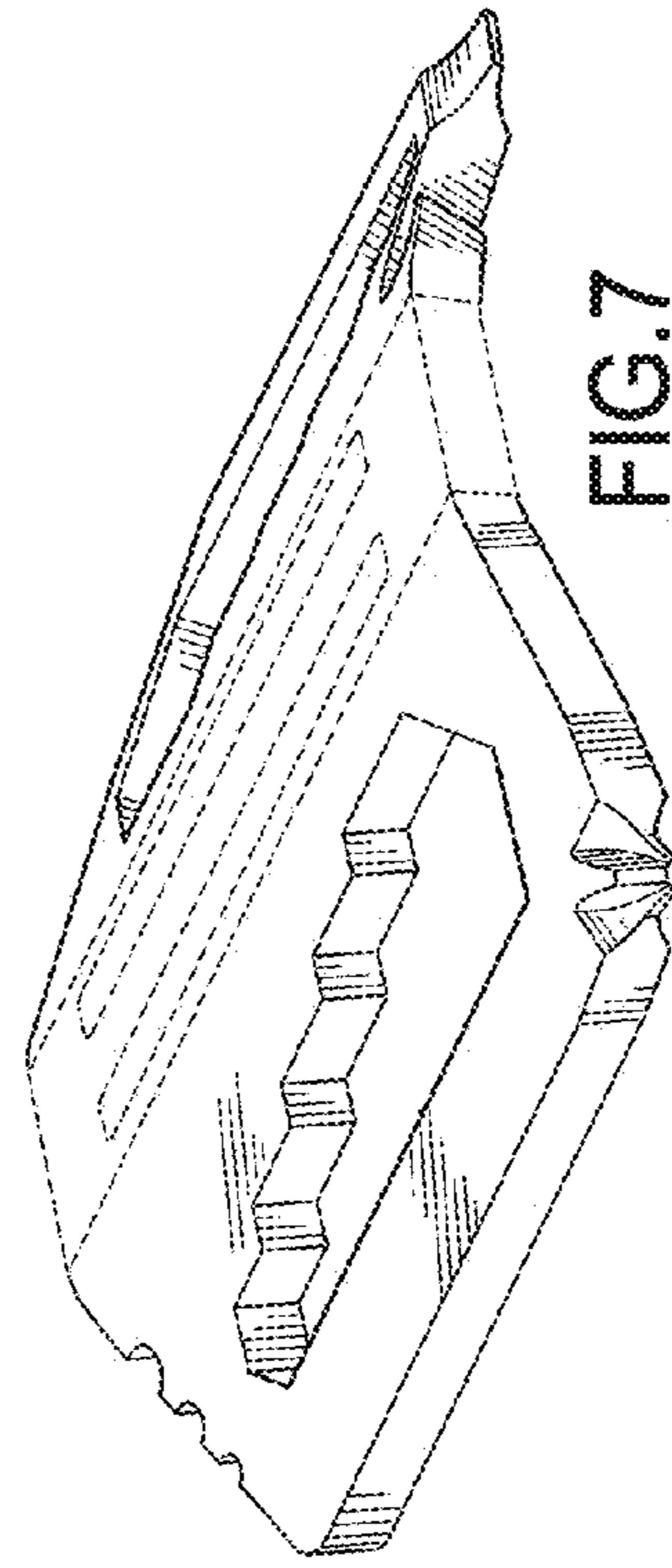


FIG. 6

FIG. 7

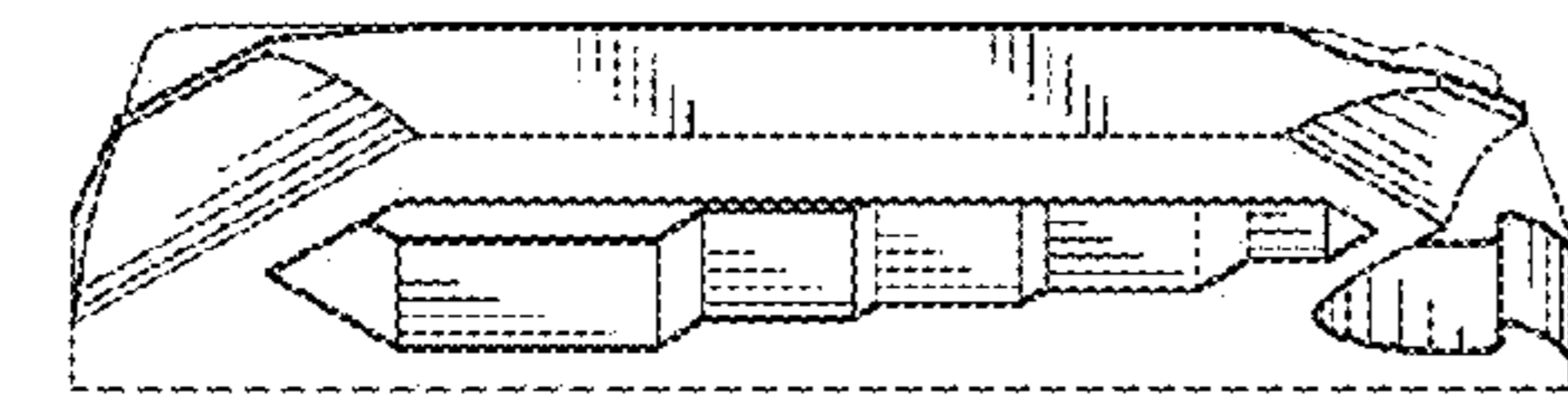


FIG. 8



FIG. 11

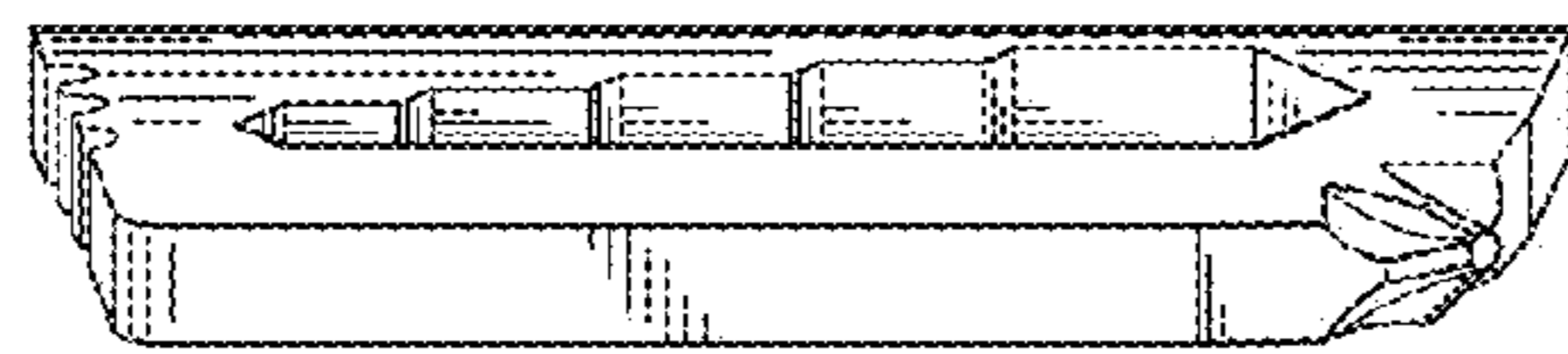


FIG. 9

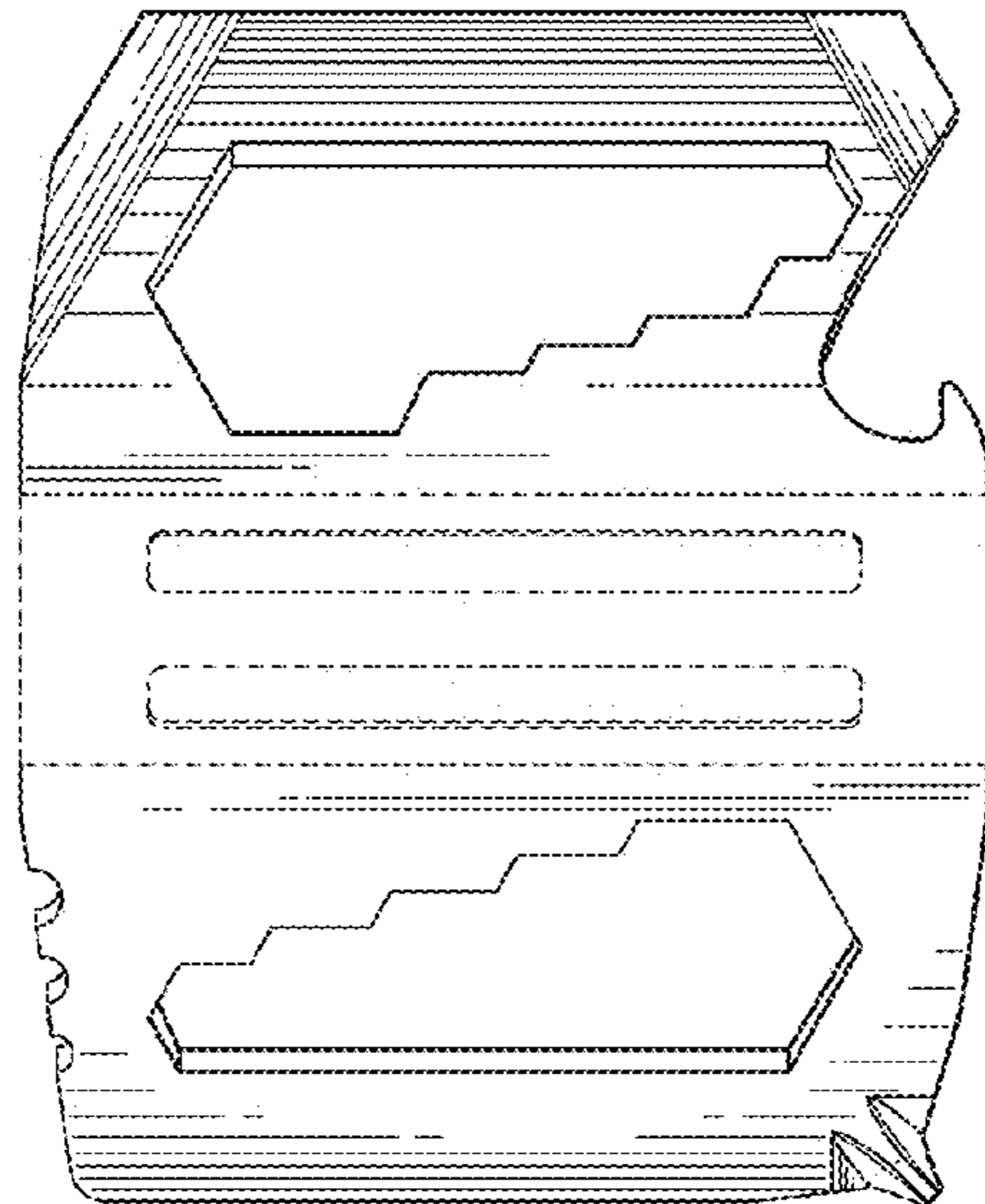


FIG. 8

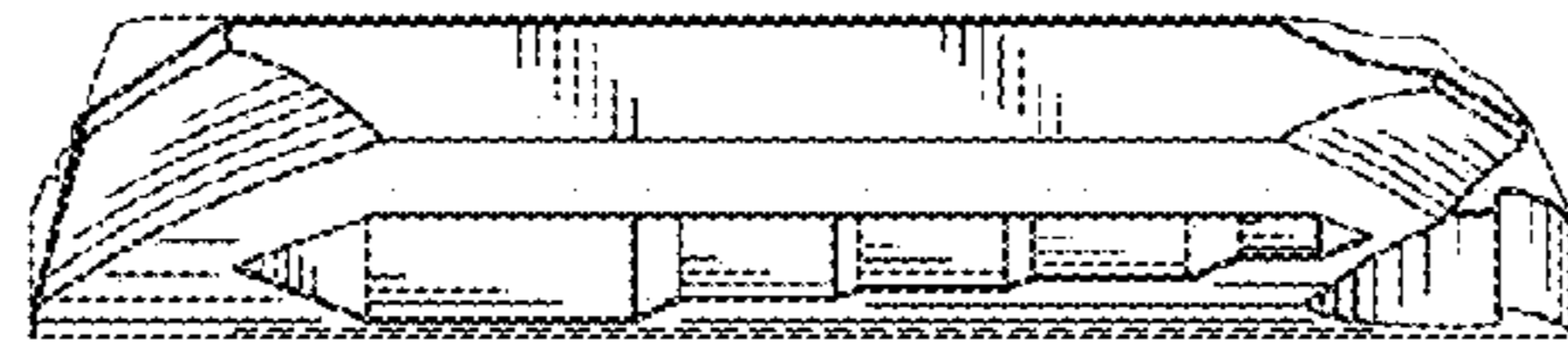


FIG. 10

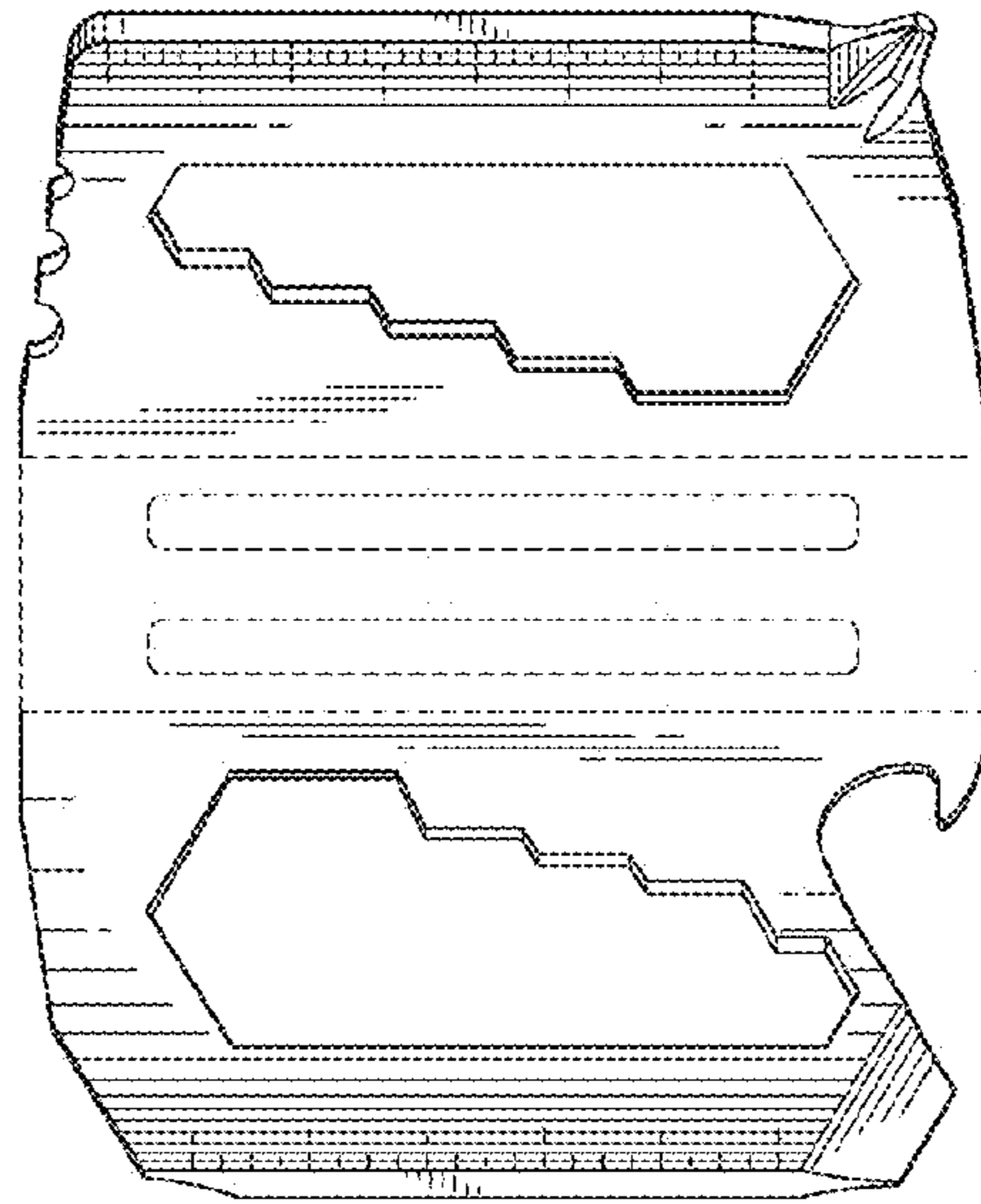


FIG. 13



FIG. 12