

US00D756177S

(12) **United States Design Patent**  
**Tsai**

(10) **Patent No.:** **US D756,177 S**  
(45) **Date of Patent:** **\*\* May 17, 2016**

- (54) **JAR RACK**
- (71) Applicant: **Pretty Star Store LLC**, Rowland Heights, CA (US)
- (72) Inventor: **Tsung-Yu Tsai**, Changhua (TW)
- (73) Assignee: **PRETTY STAR STORE LLC**, Rowland Heights, CA (US)
- (\*\*) Term: **14 Years**
- (21) Appl. No.: **29/495,090**
- (22) Filed: **Jun. 26, 2014**
- (51) **LOC (10) Cl.** ..... **06-04**
- (52) **U.S. Cl.**  
USPC ..... **D7/704; D6/681**
- (58) **Field of Classification Search**  
USPC ..... D7/701-708, 600.1-600.4; D6/681, D6/678.1, 678.4, 675.1, 675.5  
CPC .... A47B 73/002; A47B 73/006; A47B 73/00; A47F 5/01; A47F 5/13; B01L 9/06  
See application file for complete search history.

- 3,606,023 A \* 9/1971 Edmunds ..... A47B 73/006 211/194
- 3,977,529 A \* 8/1976 Stroh ..... A47B 5/135 108/181
- 4,998,631 A \* 3/1991 Fridjhon ..... A47B 73/002 211/181.1
- D724,357 S \* 3/2015 Lim ..... D6/675.1

\* cited by examiner

*Primary Examiner* — Terry Wallace

(74) *Attorney, Agent, or Firm* — Muncy, Geissler, Olds & Lowe, P.C.

(57) **CLAIM**

The ornamental design for a jar rack, as shown and described.

**DESCRIPTION**

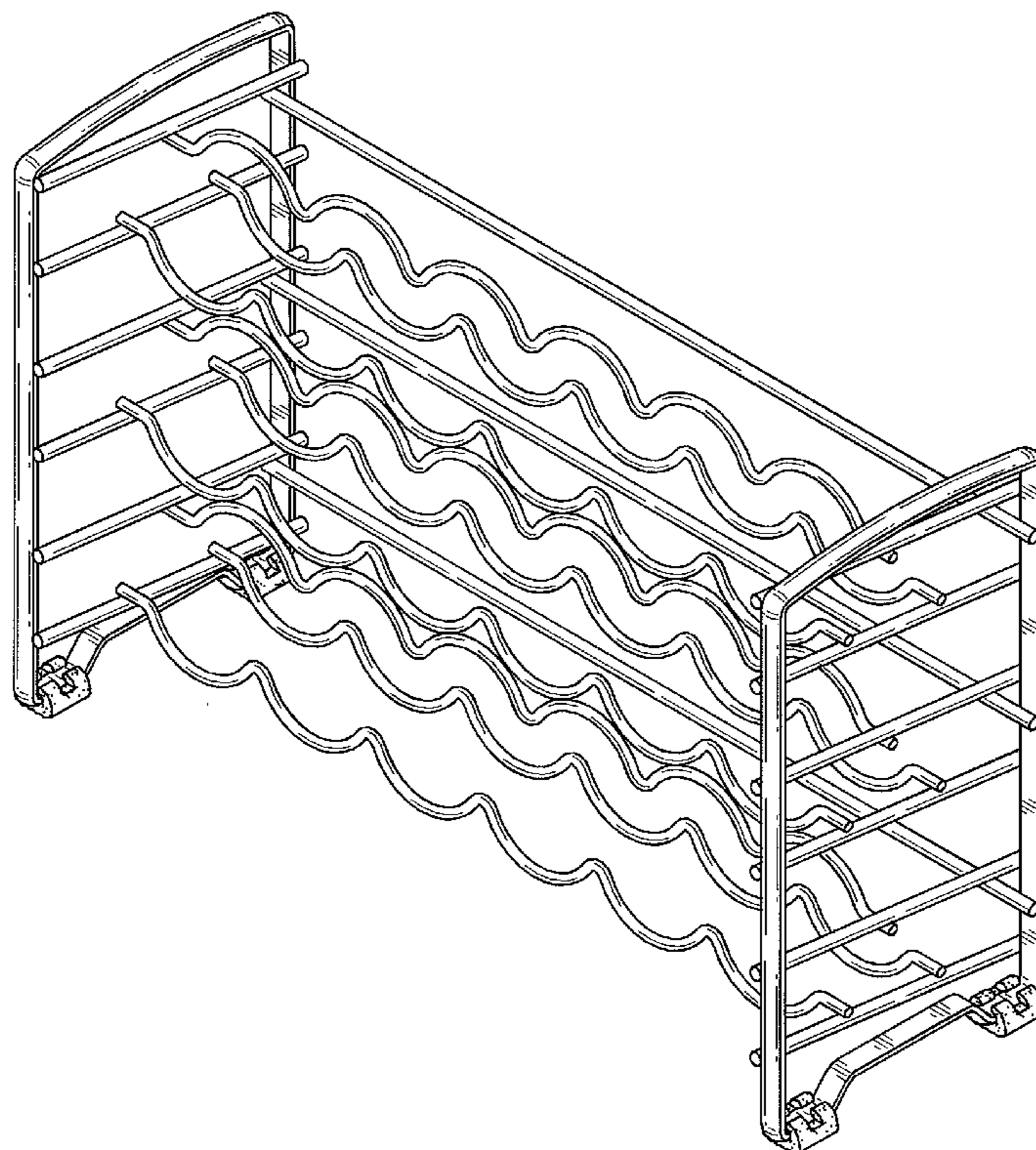
FIG. 1 is a perspective view of the present design.  
 FIG. 2 is a front view of the present design.  
 FIG. 3 is a rear view of the present design.  
 FIG. 4 is a left side view of the present design.  
 FIG. 5 is a right side view of the present design.  
 FIG. 6 is a top view of the present design.  
 FIG. 7 is a bottom view of the present design; and,  
 FIG. 8 is another schematic drawing showing that the jar rack of the present design is in use.  
 The broken lines showing structural features are for illustrative purposes only and form no part of the claimed design.

**1 Claim, 6 Drawing Sheets**

(56) **References Cited**

**U.S. PATENT DOCUMENTS**

- 2,558,611 A \* 6/1951 Emmart ..... A47B 73/002 211/181.1
- 3,160,278 A \* 12/1964 Varkala ..... A47B 73/002 211/74



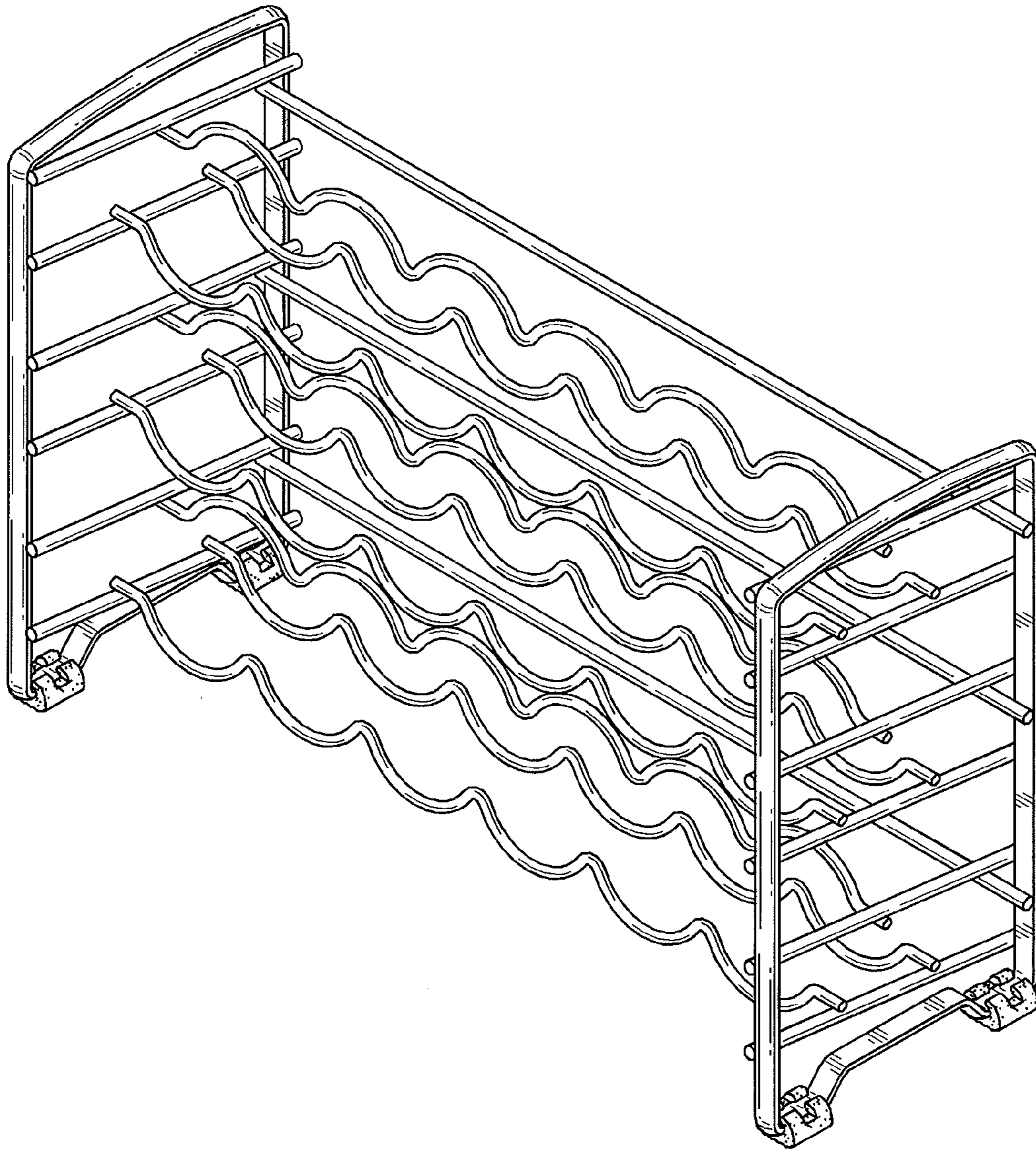


FIG. 1

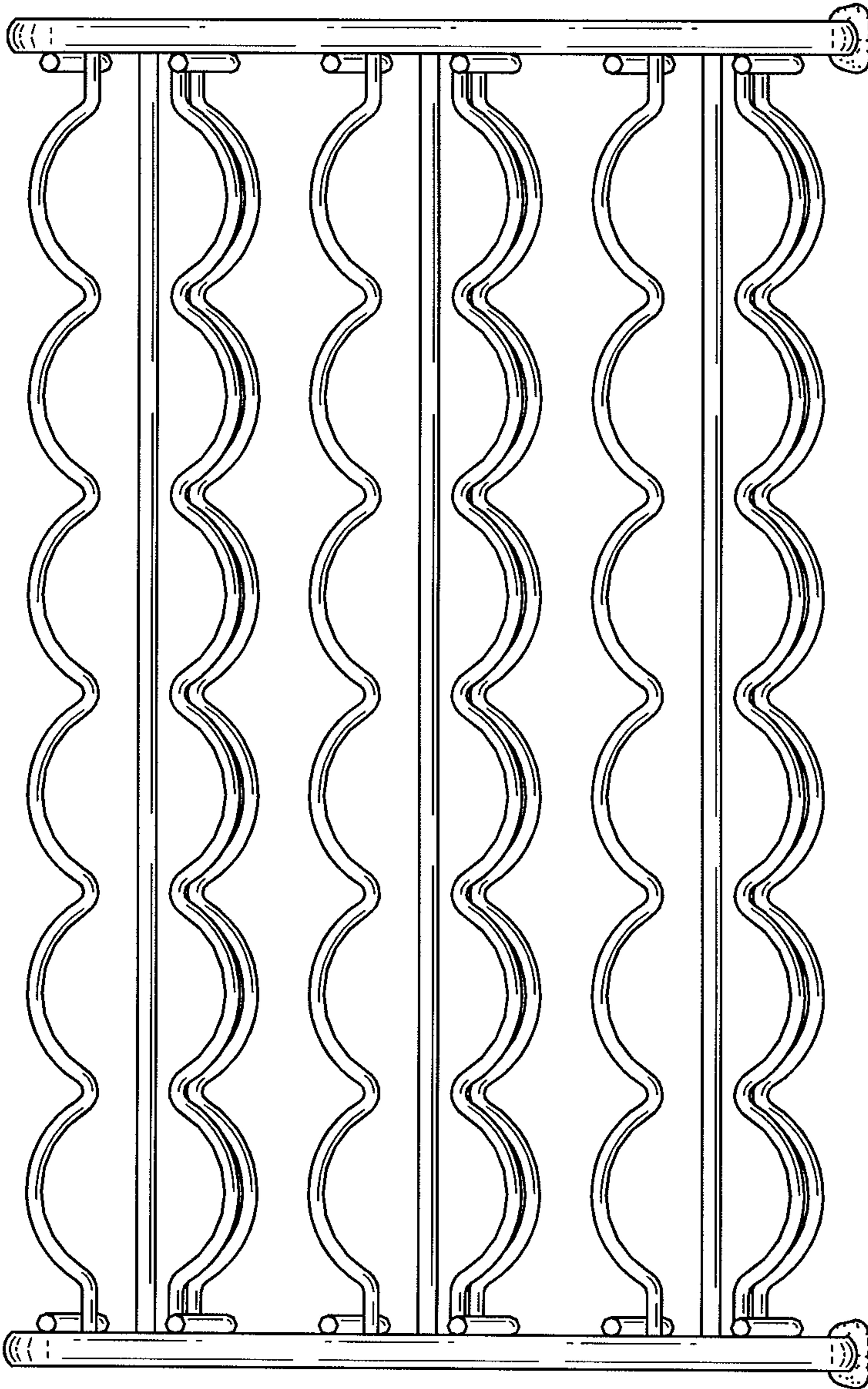


FIG. 2

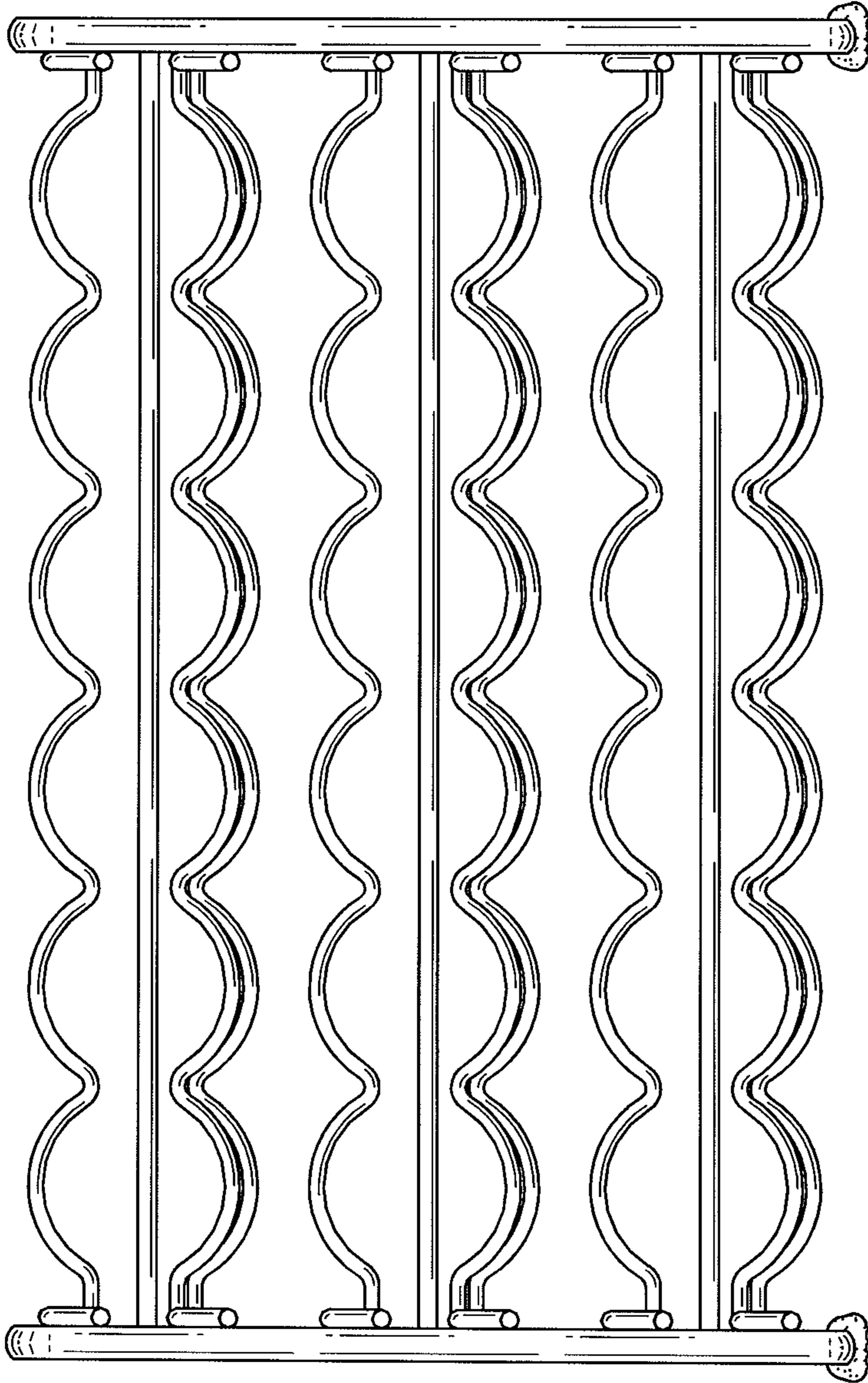


FIG. 3

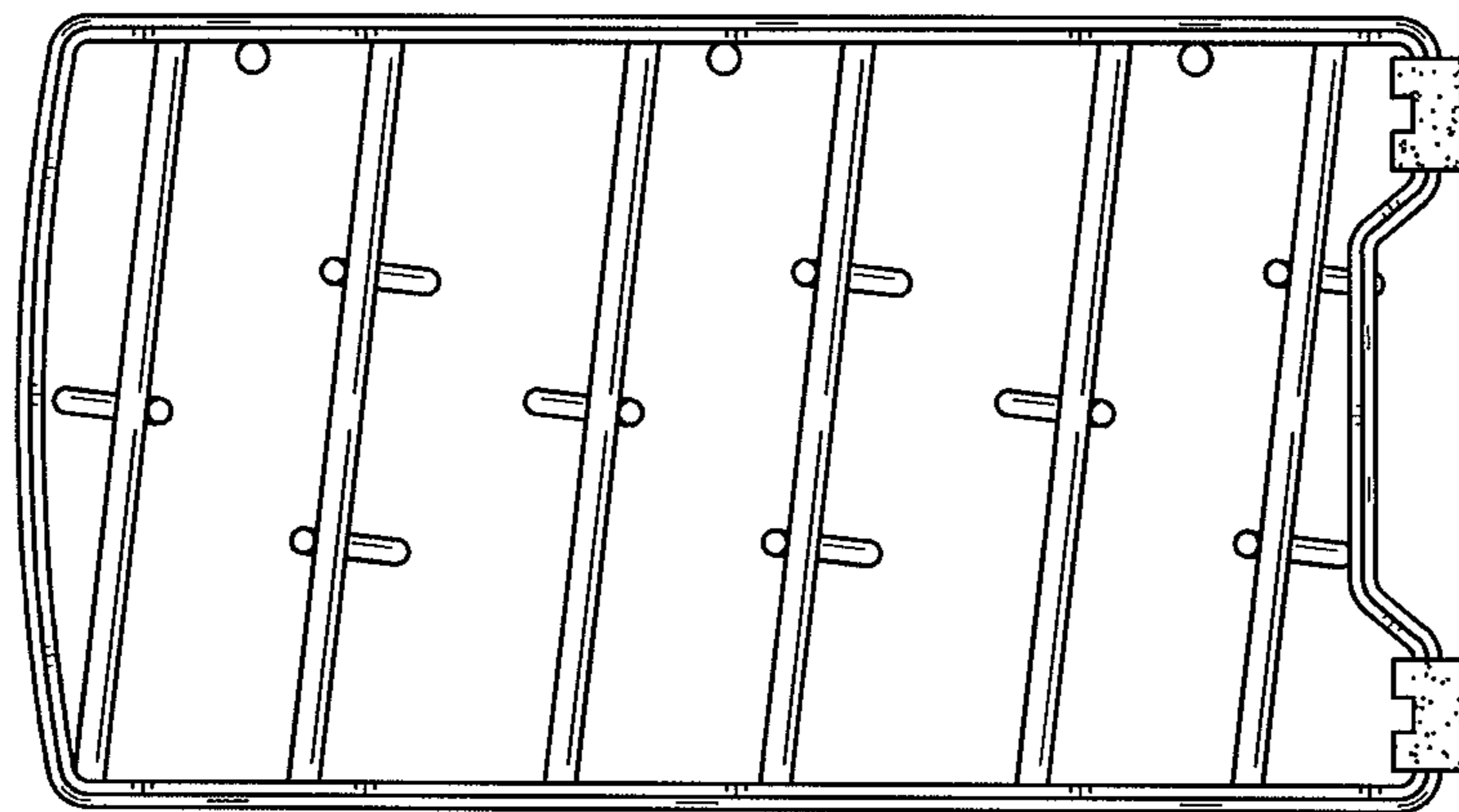


FIG. 5

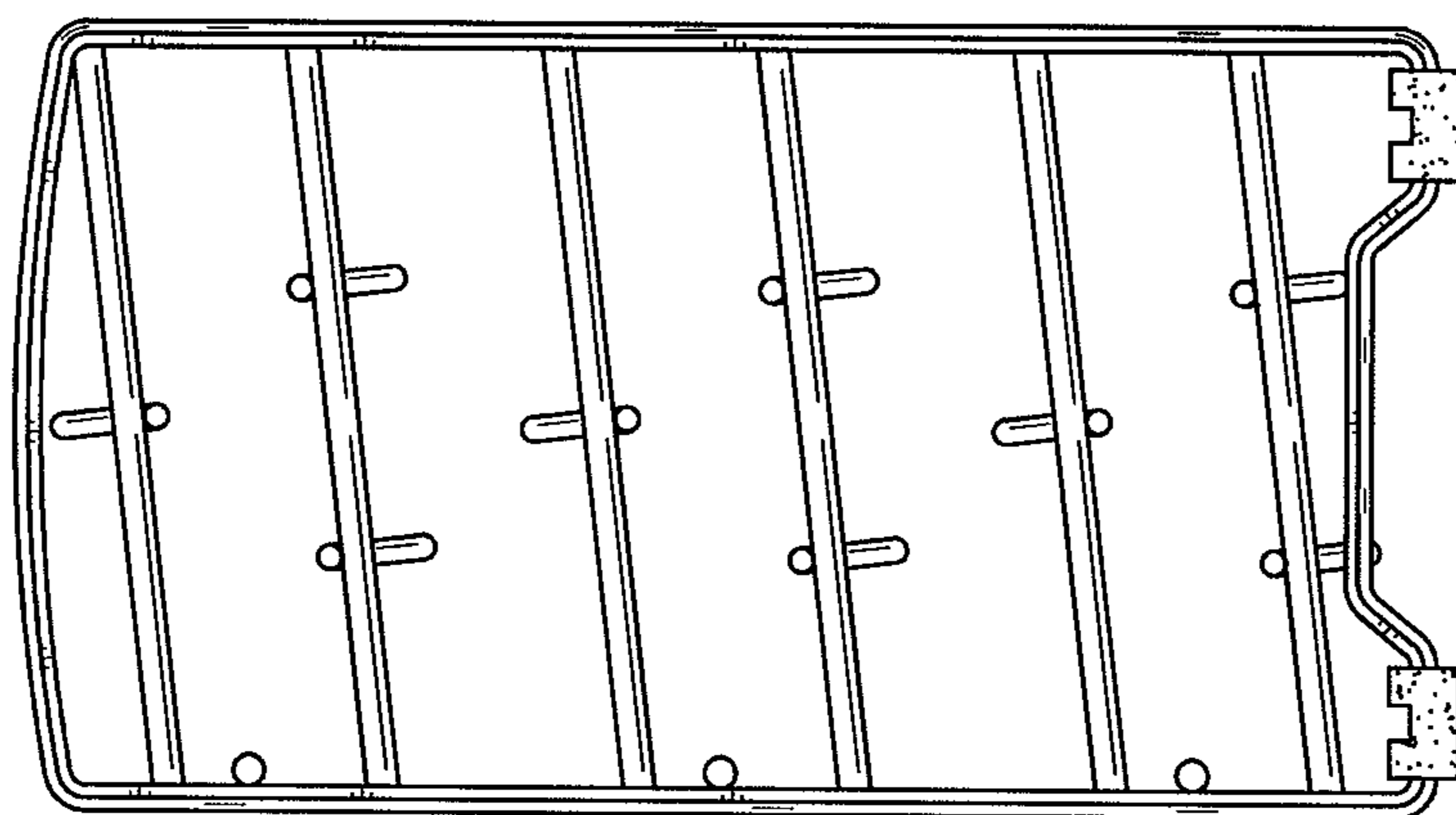


FIG. 4

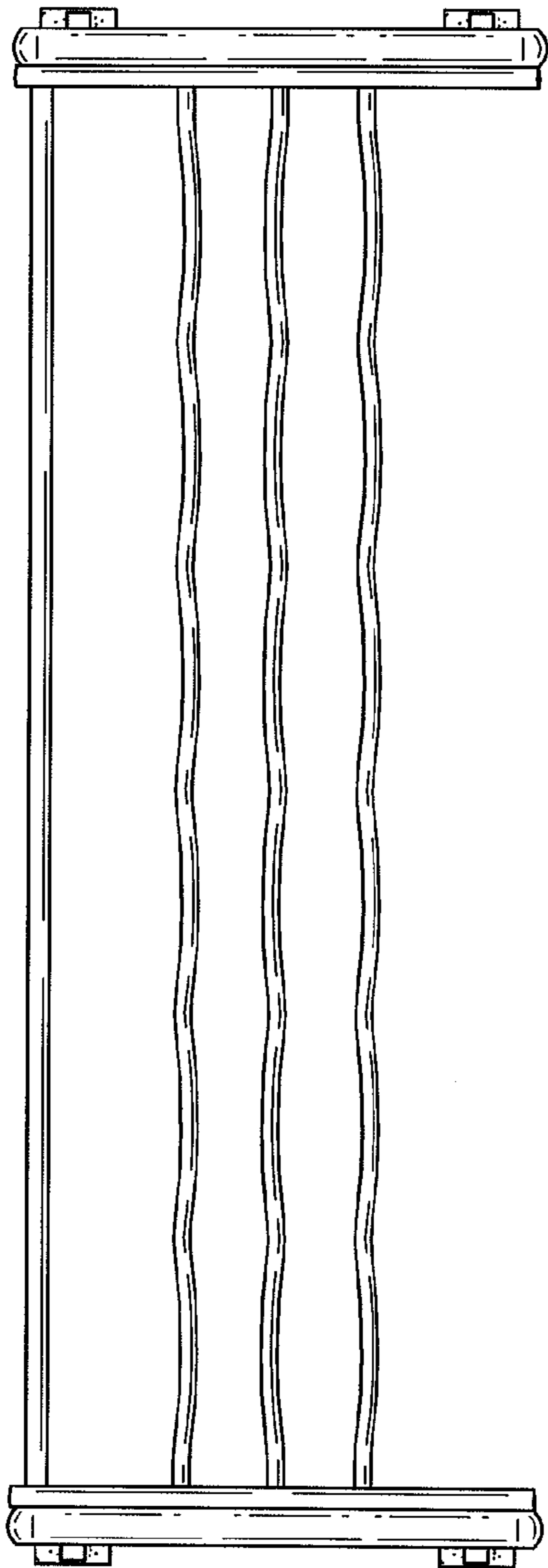


FIG. 6

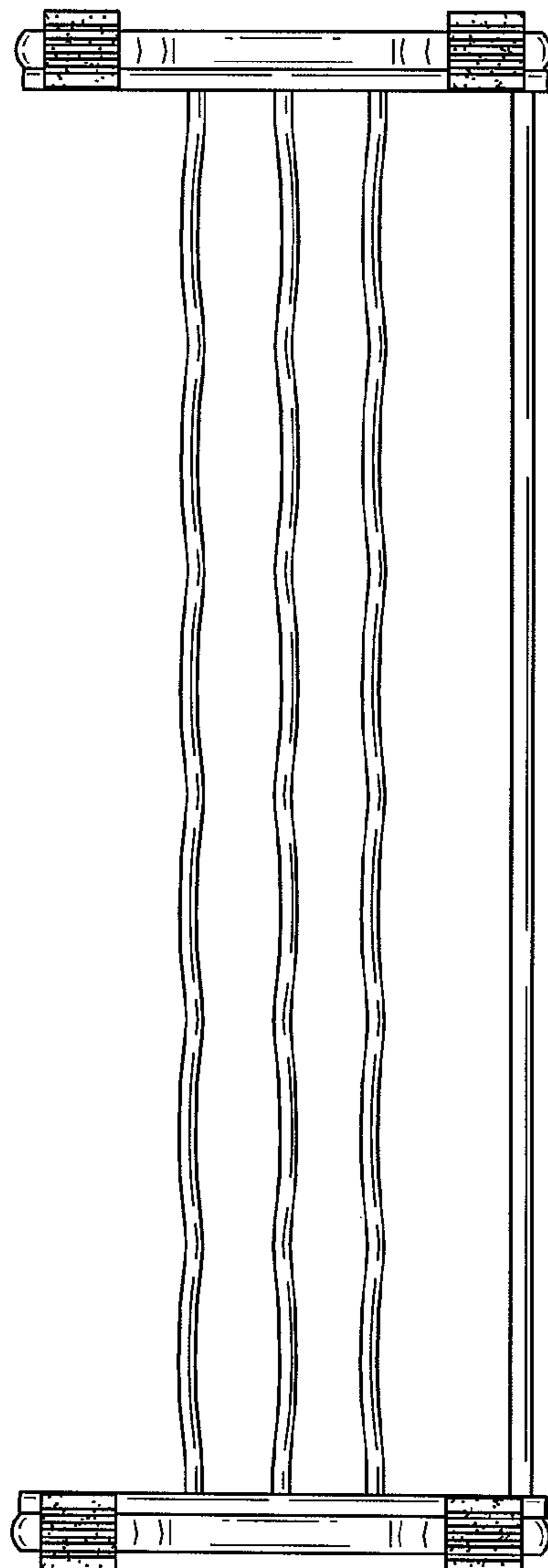


FIG. 7

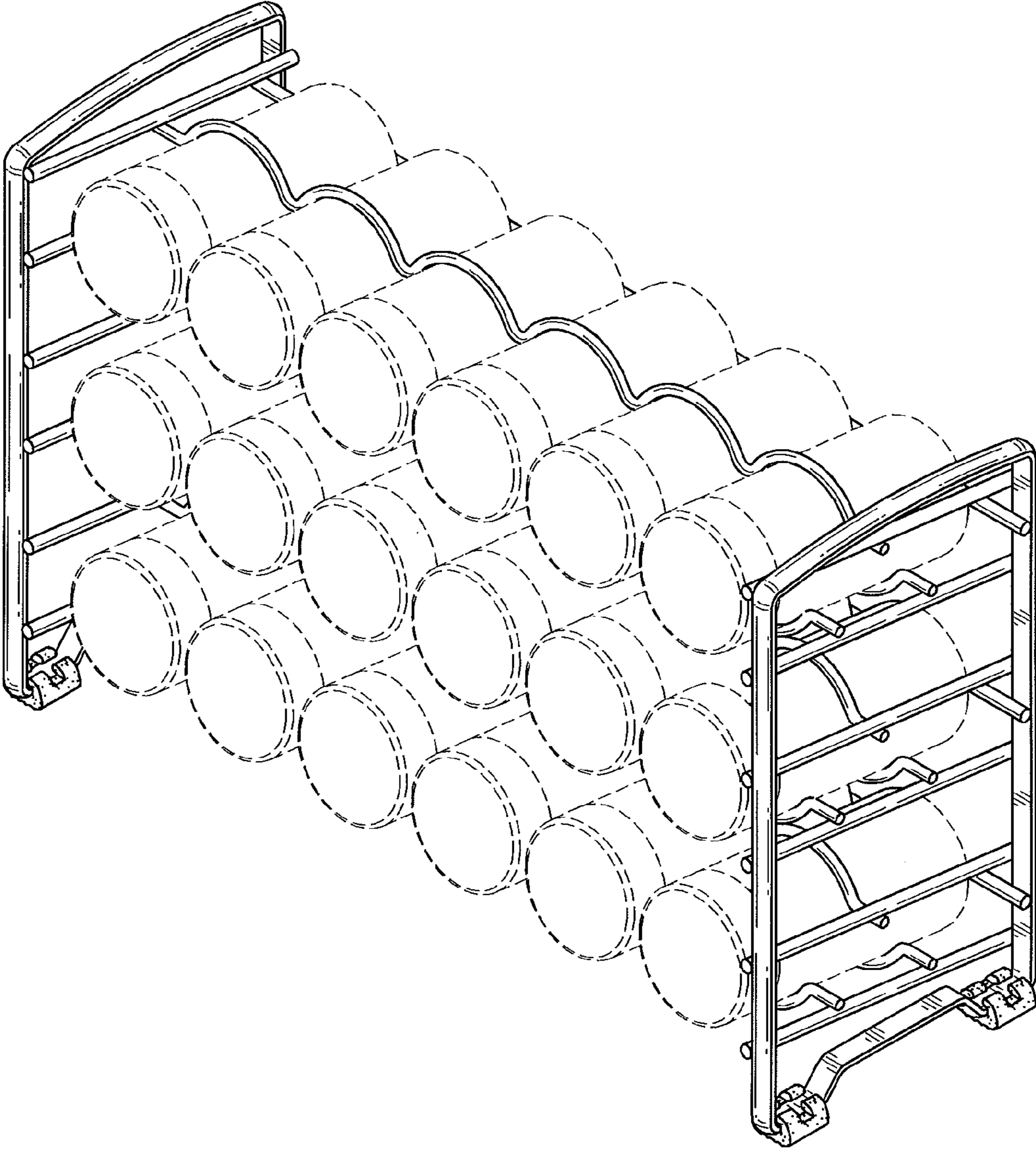


FIG. 8