



US00D756176S

(12) **United States Design Patent**
Lessel

(10) **Patent No.:** **US D756,176 S**
(45) **Date of Patent:** **** May 17, 2016**

- (54) **SPATULA**
- (71) Applicant: **Vorwerk & Co. Interholding GmbH**,
Wuppertal (DE)
- (72) Inventor: **Thomas Lessel**, Essen (DE)
- (73) Assignee: **Vorwerk & Co. Interholding GmbH**,
Wuppertal (DE)
- (**) Term: **14 Years**
- (21) Appl. No.: **29/510,098**
- (22) Filed: **Nov. 25, 2014**
- (30) **Foreign Application Priority Data**
 - Sep. 1, 2014 (DE) 10 2014 112 518
 - Sep. 3, 2014 (EM) 001420202
- (51) **LOC (10) Cl.** **07-02**
- (52) **U.S. Cl.**
USPC **D7/688**
- (58) **Field of Classification Search**
USPC D7/688, 689; D32/46; 15/245.1, 245;
294/7, 8; 366/129
CPC A47J 43/288; A47J 43/283; A47J 43/10
See application file for complete search history.

- (56) **References Cited**
U.S. PATENT DOCUMENTS
 - D226,392 S * 2/1973 Lindbo D7/688
 - D266,476 S * 10/1982 Thomasson D32/49
 - D289,962 S * 5/1987 Augustino D7/688
 - D444,030 S * 6/2001 Backstrom D7/393
 - D464,536 S * 10/2002 Veltri D7/688
 - D473,762 S * 4/2003 Kerr D7/688
 - D481,270 S * 10/2003 Siegel D7/688
 - D487,556 S * 3/2004 Siegel D7/688
 - D527,944 S * 9/2006 Brooks D7/395
 - D606,372 S * 12/2009 Gorskey D7/688
 - D628,447 S * 12/2010 Genatossio D7/688

D628,448 S *	12/2010	Genatossio	D7/691
D631,711 S *	2/2011	Jossem	D7/688
D658,951 S *	5/2012	Jossem	D7/688
D677,532 S *	3/2013	Joseph	D7/688
D702,095 S *	4/2014	Fugett	D7/692
D703,495 S *	4/2014	Hoyord	D7/688
D707,089 S *	6/2014	Fugett	D7/692
D708,025 S *	7/2014	Cloutier	D7/688
D712,710 S *	9/2014	Gonzales	D7/688
D713,220 S *	9/2014	Cloutier	D7/688
D723,881 S *	3/2015	Cloutier	D7/688
D740,082 S *	10/2015	Silva	D7/688
D746,112 S *	12/2015	Holcombe	D7/642

OTHER PUBLICATIONS

Specification, Claim and Drawings of U.S. Appl. No. 29/510,099, filed Nov. 25, 2014.

* cited by examiner

Primary Examiner — Rosemary K Tarcza
Assistant Examiner — James Thorn, Sr.
(74) *Attorney, Agent, or Firm* — Collard & Roe, P.C.

(57) **CLAIM**
The ornamental design for a spatula, as shown and described.

DESCRIPTION

The patent or application file contains at least one drawing executed in color. Copies of this patent or patent application publication with color drawing(s) will be provided by the Office upon request and payment of the necessary fee.
FIG. 1 is a side view of a spatula, showing my new design;
FIG. 2 is a top view thereof;
FIG. 3 is a side view thereof, opposite to the side view in FIG. 1;
FIG. 4 is a bottom view thereof;
FIG. 5 is a rear view thereof;
FIG. 6 is a front view thereof; and,
FIG. 7 is a side and front perspective view thereof.

1 Claim, 3 Drawing Sheets
(3 of 3 Drawing Sheet(s) Filed in Color)

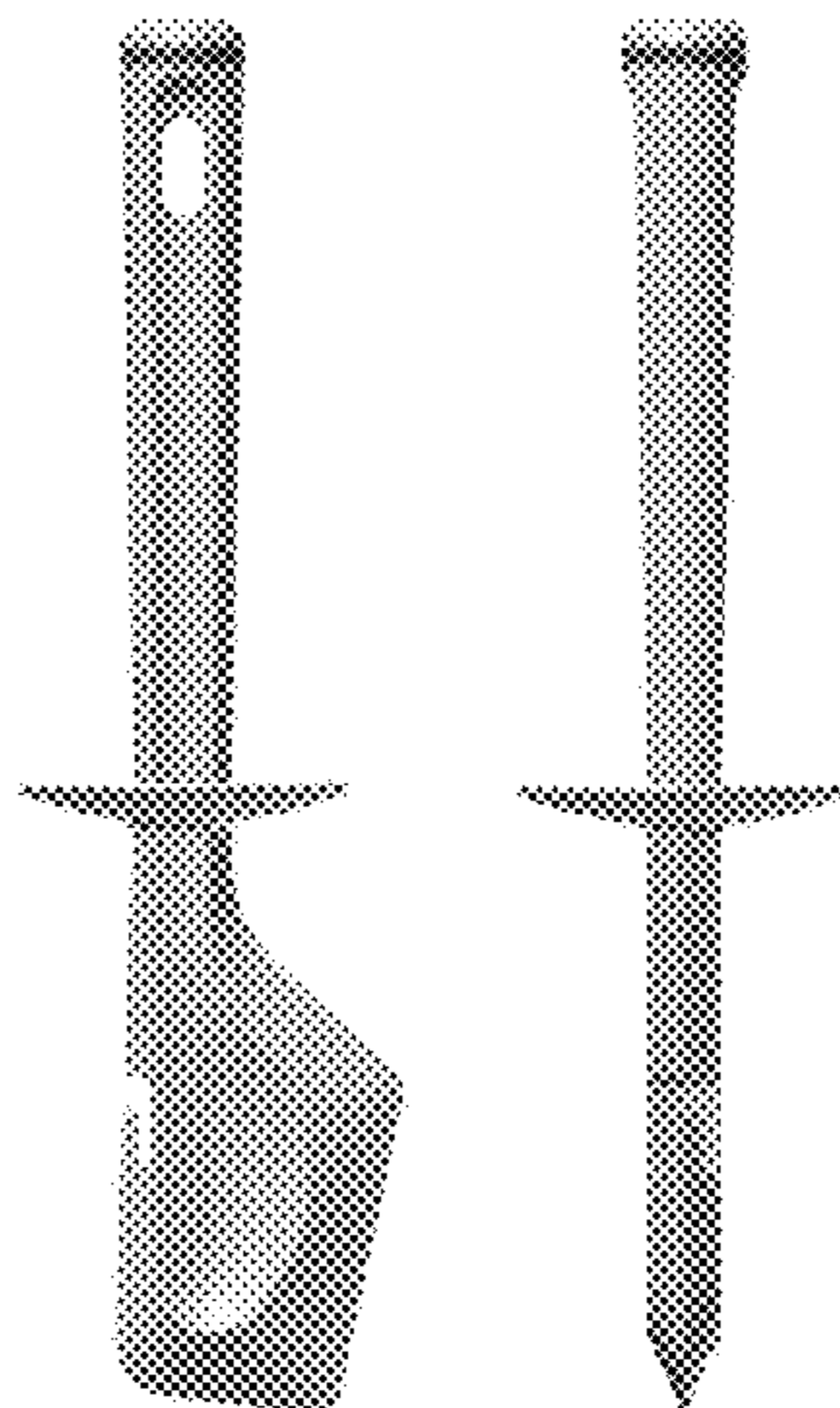


Fig. 1

Fig. 2

Fig. 3

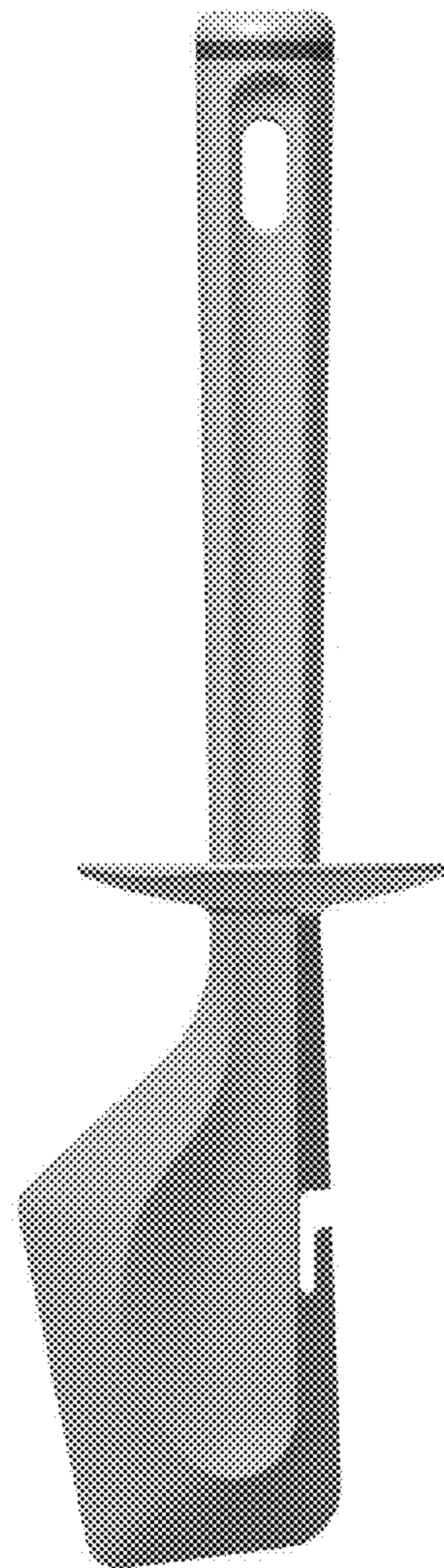
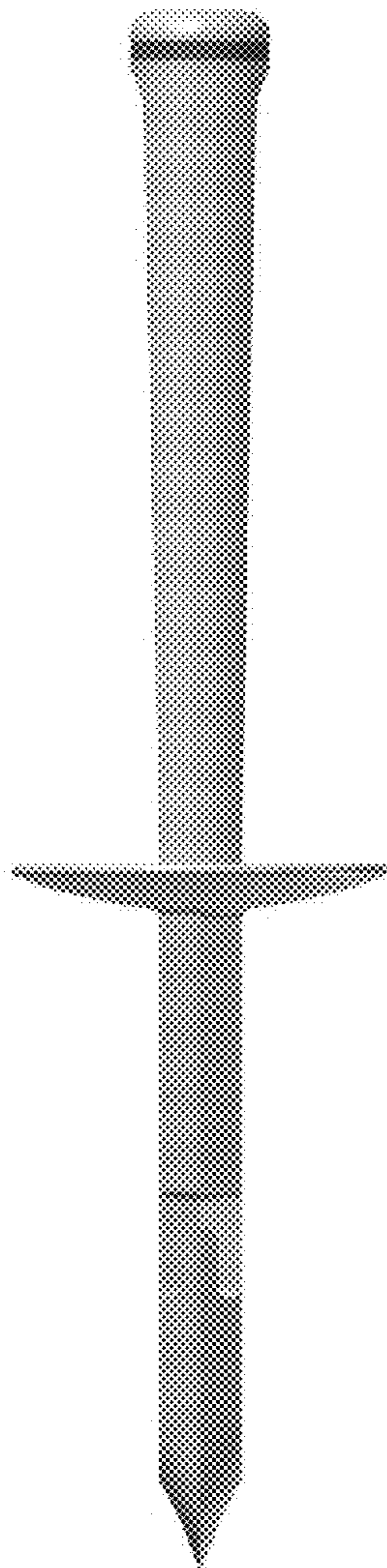
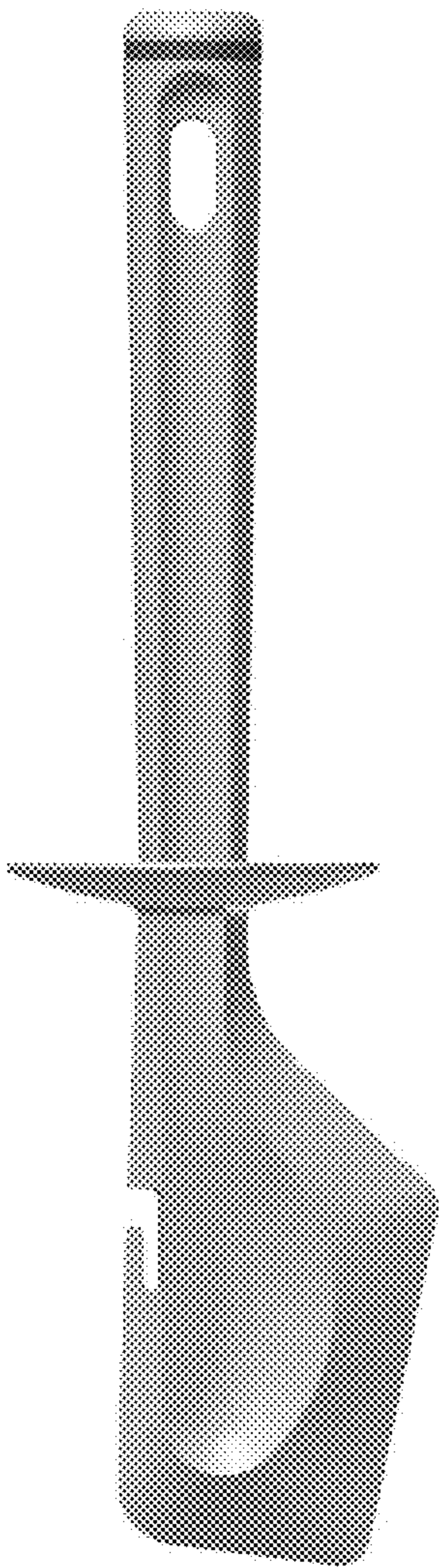


Fig. 4

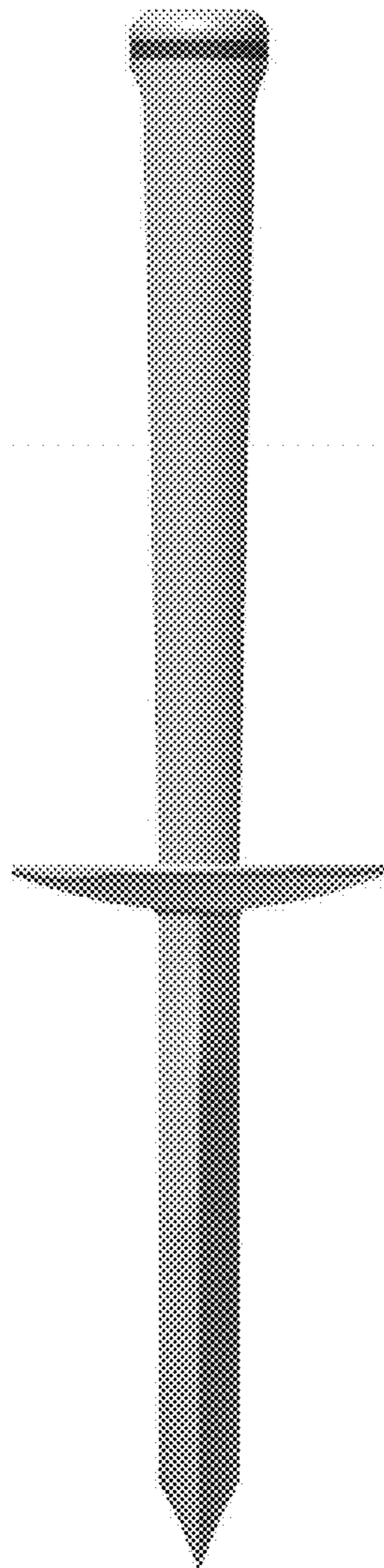


Fig. 5

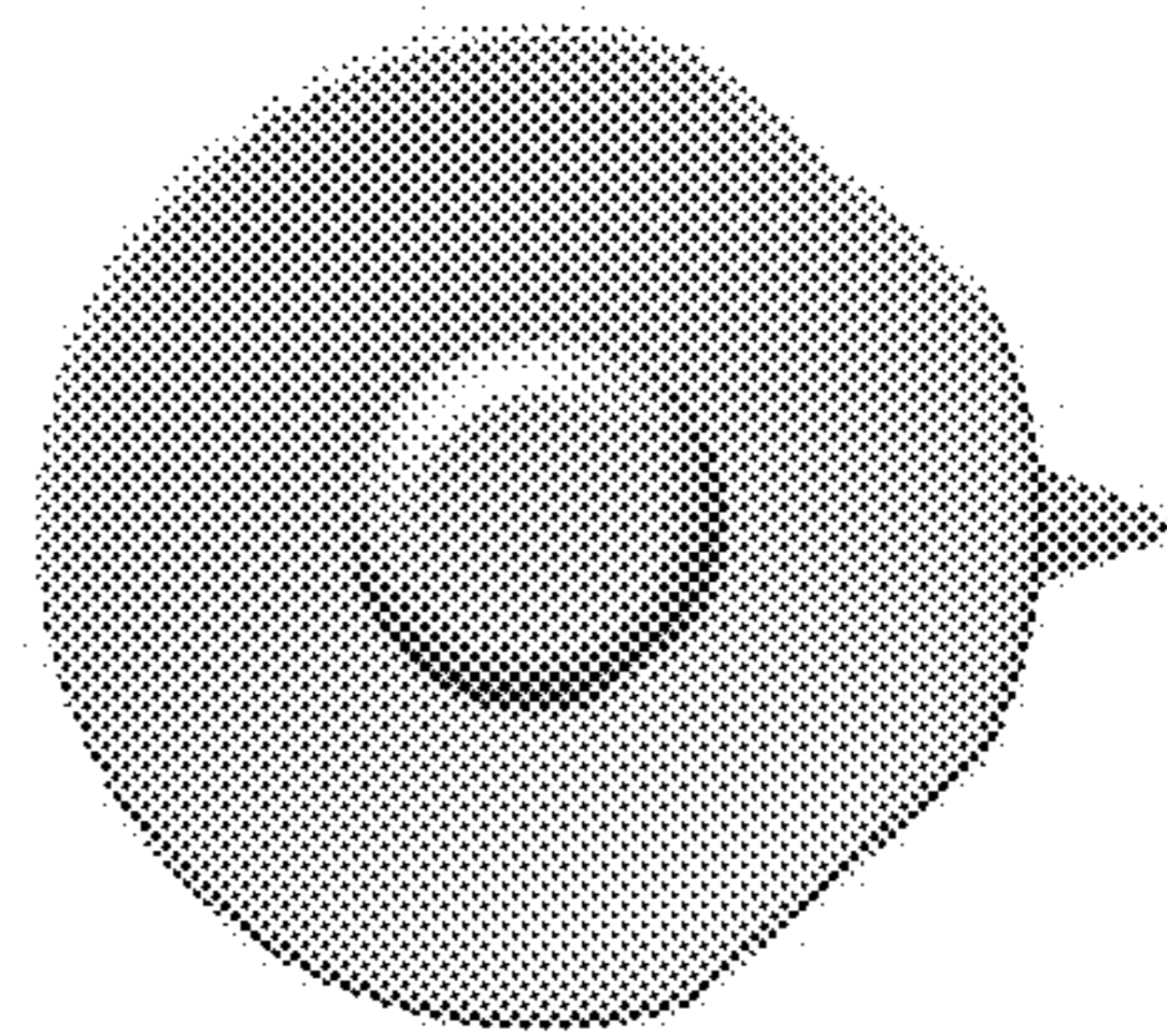


Fig. 6

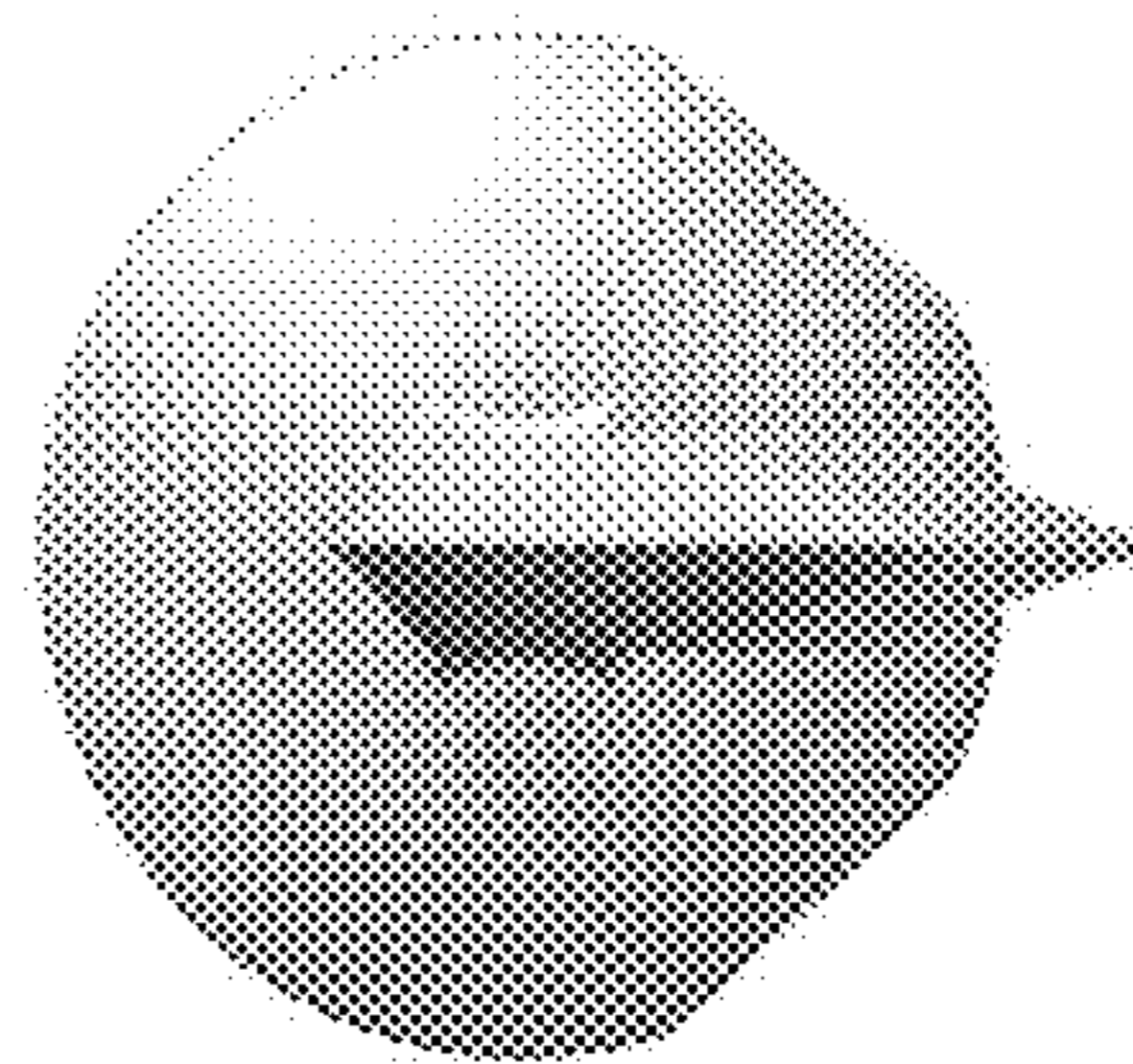


Fig. 7

