



US00D756175S

(12) **United States Design Patent**  
**Laskowski et al.**

(10) **Patent No.:** **US D756,175 S**  
(45) **Date of Patent:** **\*\* May 17, 2016**

- (54) **FOOD GRINDER**
- (71) Applicants: **Michael Laskowski**, Pittsburgh, PA (US); **Jeremy Donald O'Halloran**, Pittsburgh, PA (US); **Tiffany Chen**, New York, NY (US)
- (72) Inventors: **Michael Laskowski**, Pittsburgh, PA (US); **Jeremy Donald O'Halloran**, Pittsburgh, PA (US); **Tiffany Chen**, New York, NY (US)
- (73) Assignee: **HELEN OF TROY LIMITED**, St. Michael (BB)

2,896,683	A *	7/1959	Bowland	.....	A47J 43/255
					241/89.4
5,156,084	A *	10/1992	Lin	.....	A47J 43/06
					210/380.1
5,702,061	A *	12/1997	Kennedy	.....	A47J 43/255
					241/273.3
D397,919	S *	9/1998	Chiu	.....	D7/679
D415,938	S *	11/1999	Blaise	.....	D7/678
6,446,891	B1 *	9/2002	Leung	.....	A47J 42/26
					241/169.1
D482,927	S *	12/2003	Morris	.....	D7/373
2013/0221144	A1 *	8/2013	Zhang	.....	A47J 42/08
					241/169.1
2014/0014751	A1 *	1/2014	Sampaio	.....	A47J 43/255
					241/93

\* cited by examiner

(\*\*) Term: **14 Years**

*Primary Examiner* — Terry Wallace

(21) Appl. No.: **29/508,648**

(22) Filed: **Nov. 8, 2014**

(51) **LOC (10) Cl.** ..... **07-04**

(52) **U.S. Cl.**  
USPC ..... **D7/679**

(58) **Field of Classification Search**  
USPC ..... D7/679, 372, 373, 374, 383, 384, D7/590-597  
CPC ..... A47J 43/255; A47J 43/06; A47J 42/26; A47J 42/08; A47J 42/38; A47J 42/04; A47J 42/46; A47J 42/18; B02C 18/16; B02C 18/24; B02C 18/08  
See application file for complete search history.

(56) **References Cited**

U.S. PATENT DOCUMENTS

2,842,176	A *	7/1958	Bowland	.....	A47J 42/255
					241/100
D183,596	S *	9/1958	Bowland	.....	D7/372

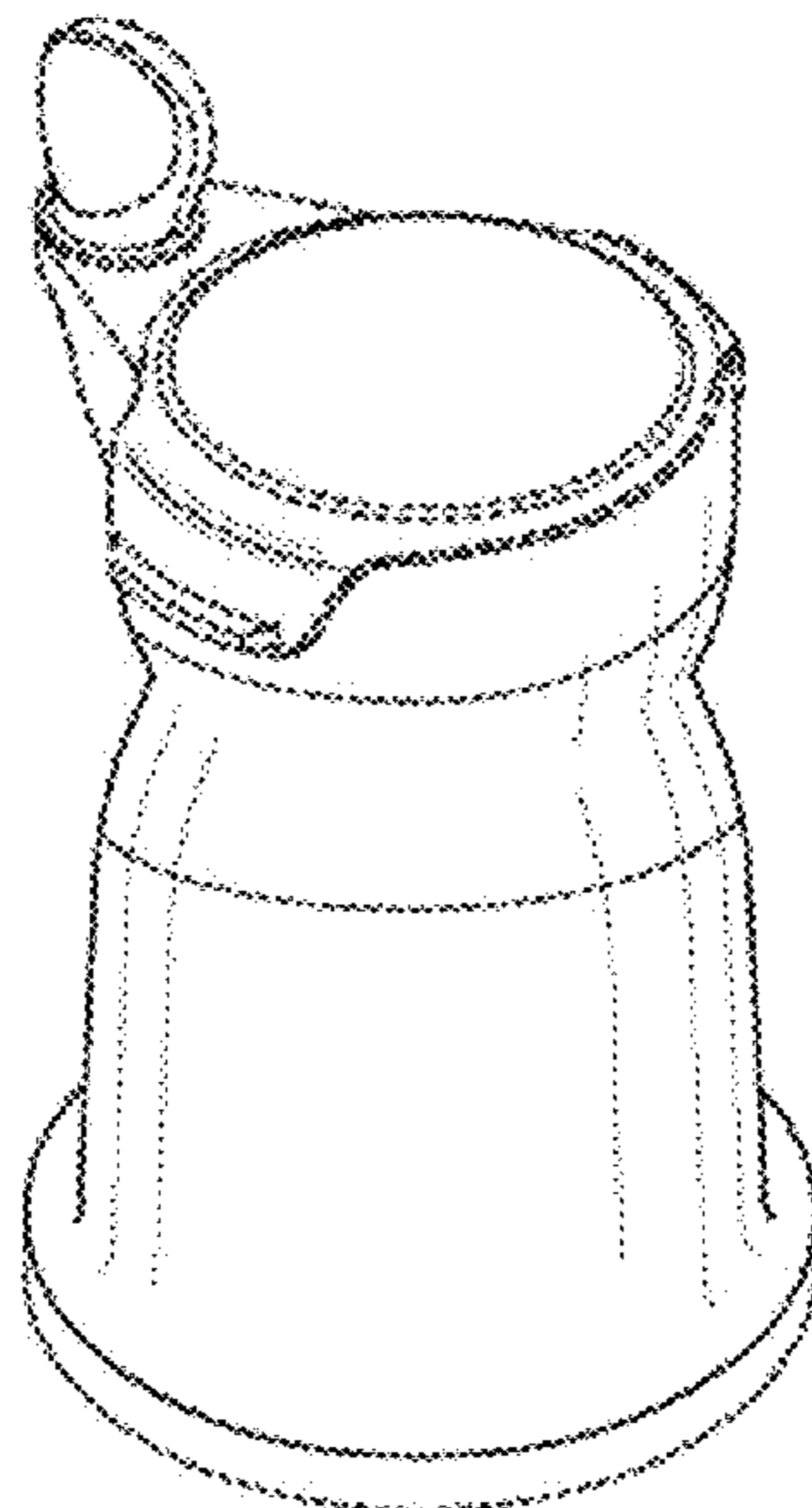
(57) **CLAIM**

The ornamental design for a food grinder, as shown, and described.

**DESCRIPTION**

FIG. 1 is a right side view of the food grinder; FIG. 2 is a left side view of the food grinder; FIG. 3 is a front view of the food grinder; FIG. 4 is a rear view of the food grinder; FIG. 5 is a top view of the food grinder; FIG. 6 is a bottom view of the food grinder; and, FIG. 7 is a perspective view of the food grinder. The broken lines depicting the top enclosure, crank arm and base are for illustrative purposes only and form no part of the claimed design. Moreover, the two horizontal broken lines on the sidewall of the food grinder represent unclaimed lines on the claimed surface.

**1 Claim, 7 Drawing Sheets**



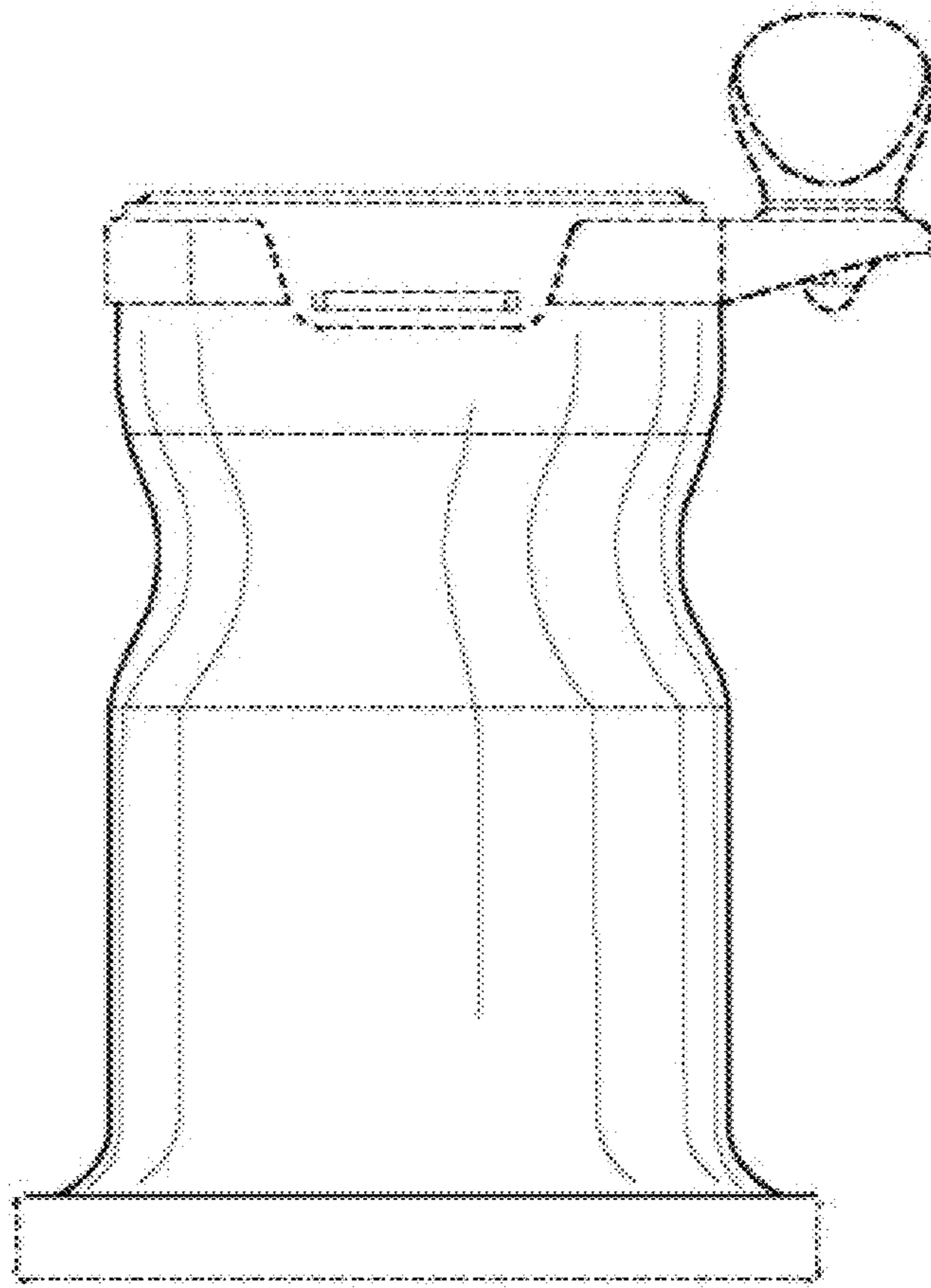


Figure 1

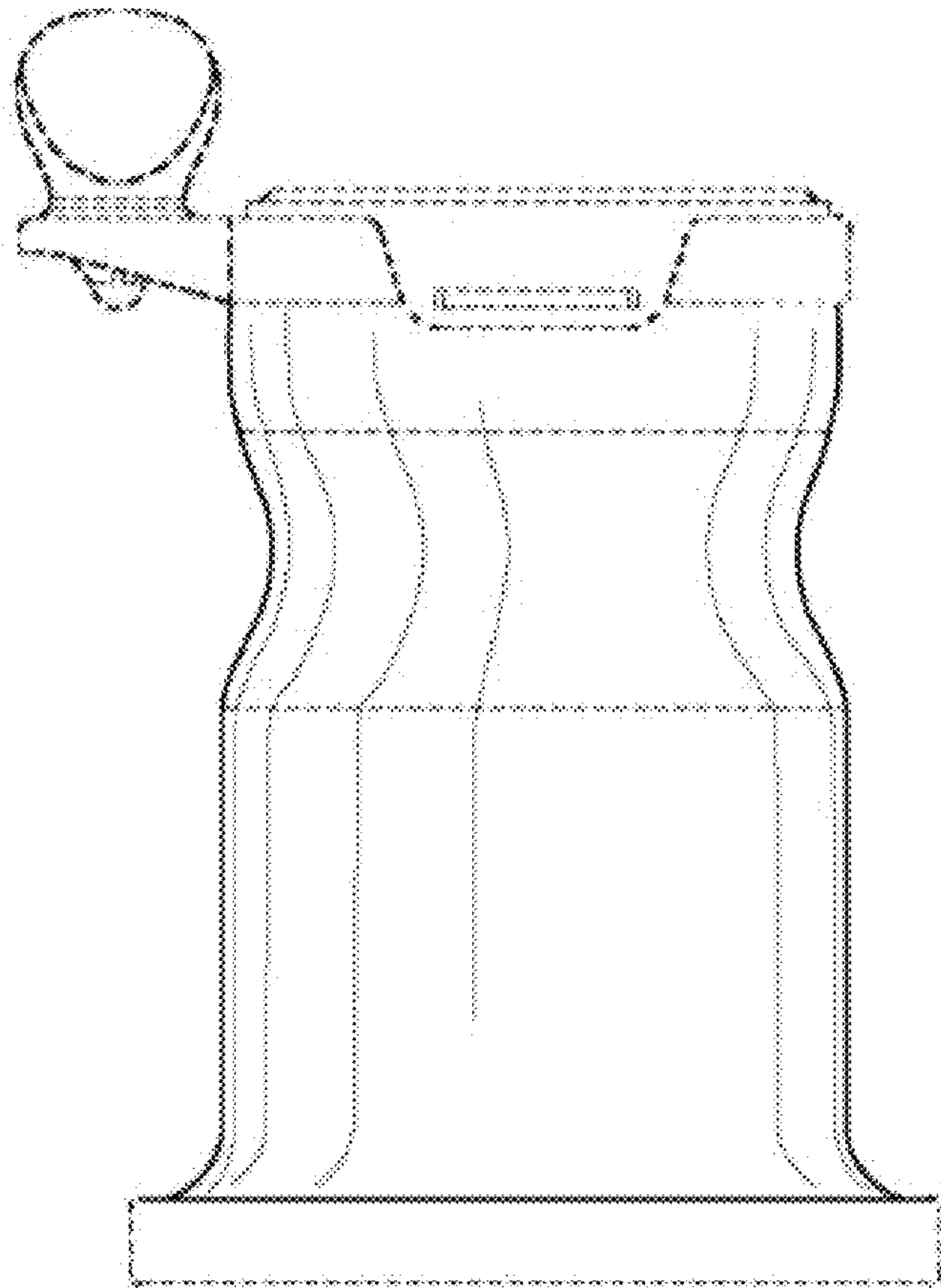


Figure 2

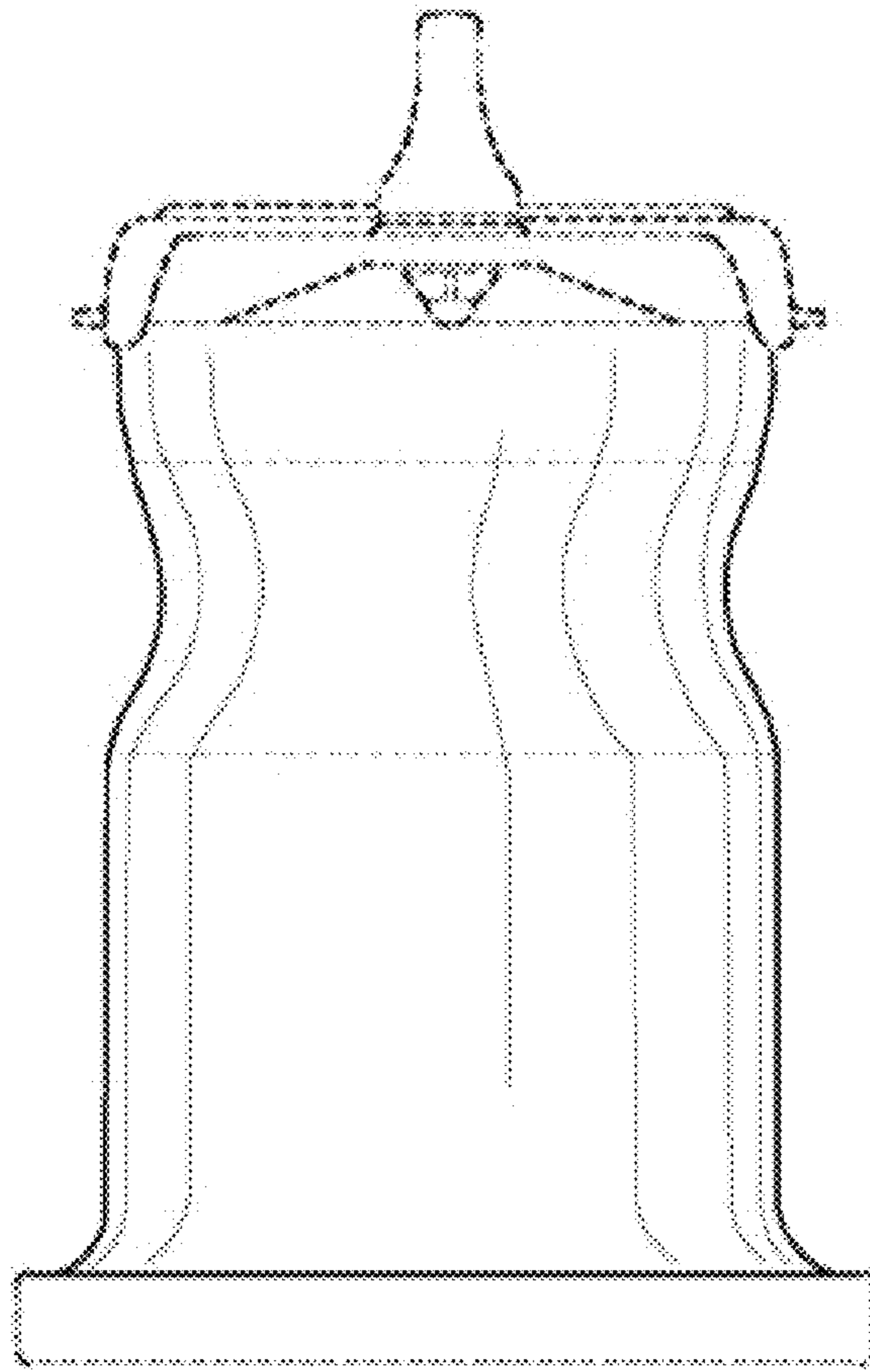


Figure 3

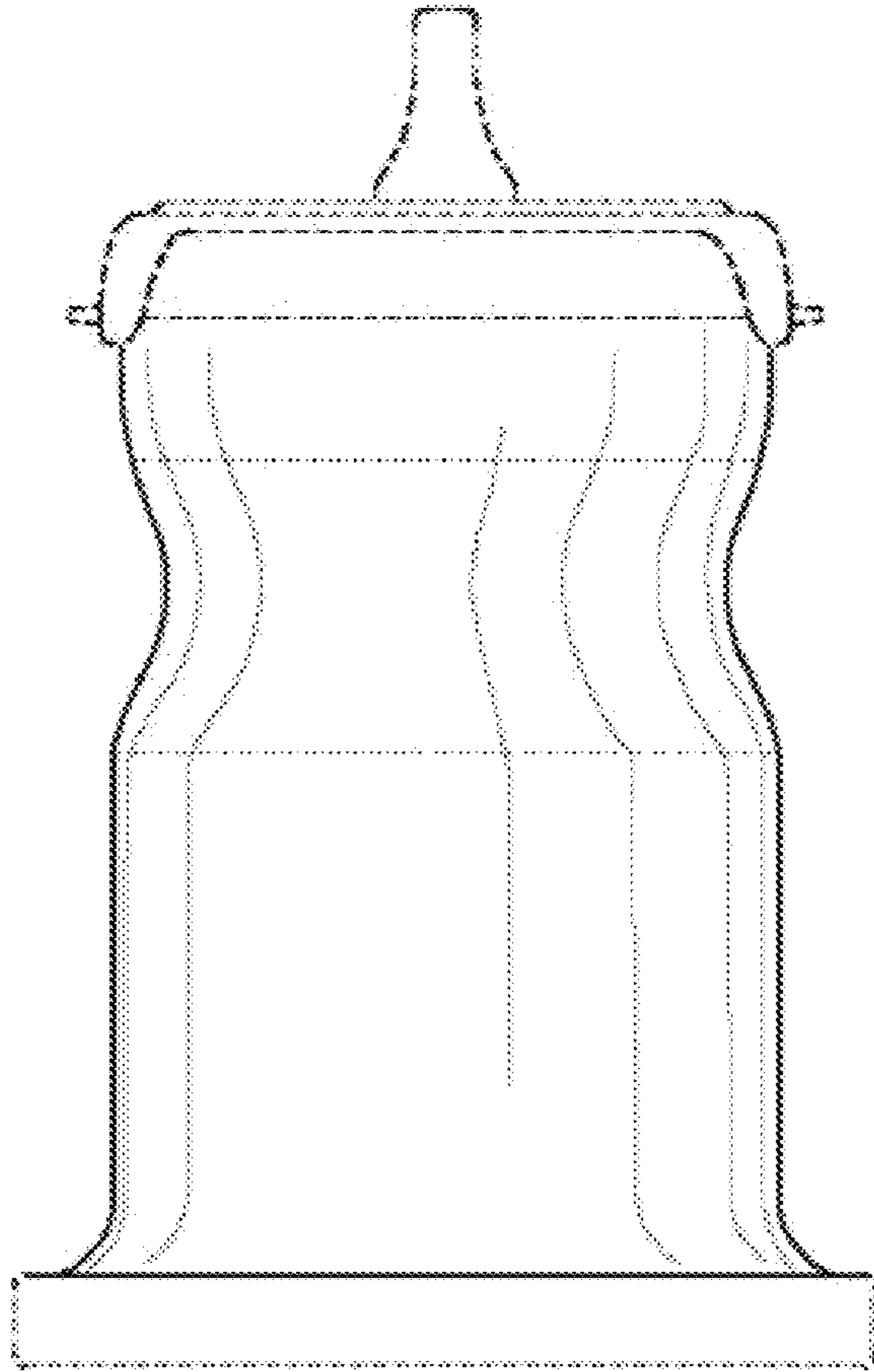


Figure 4

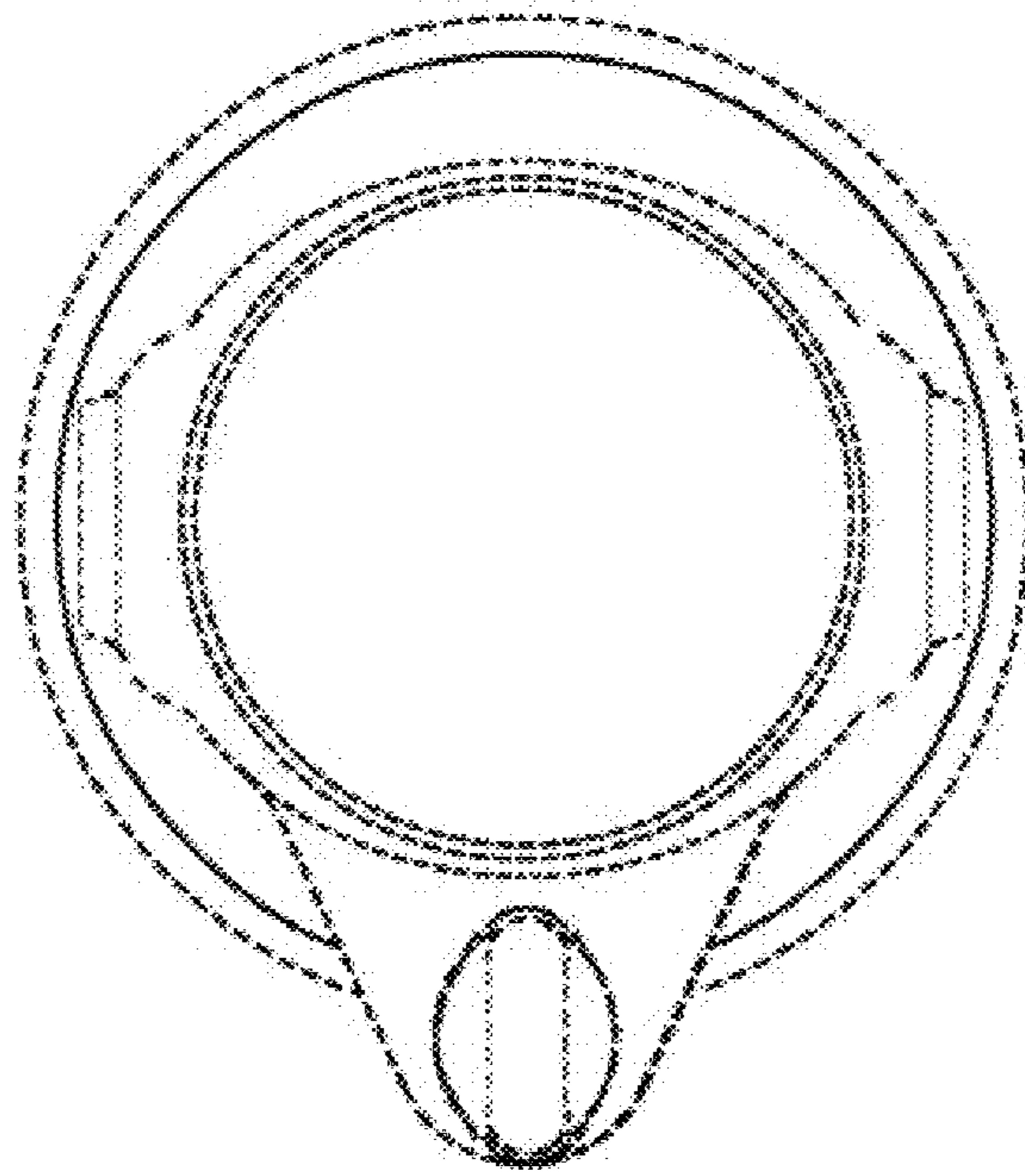


Figure 5

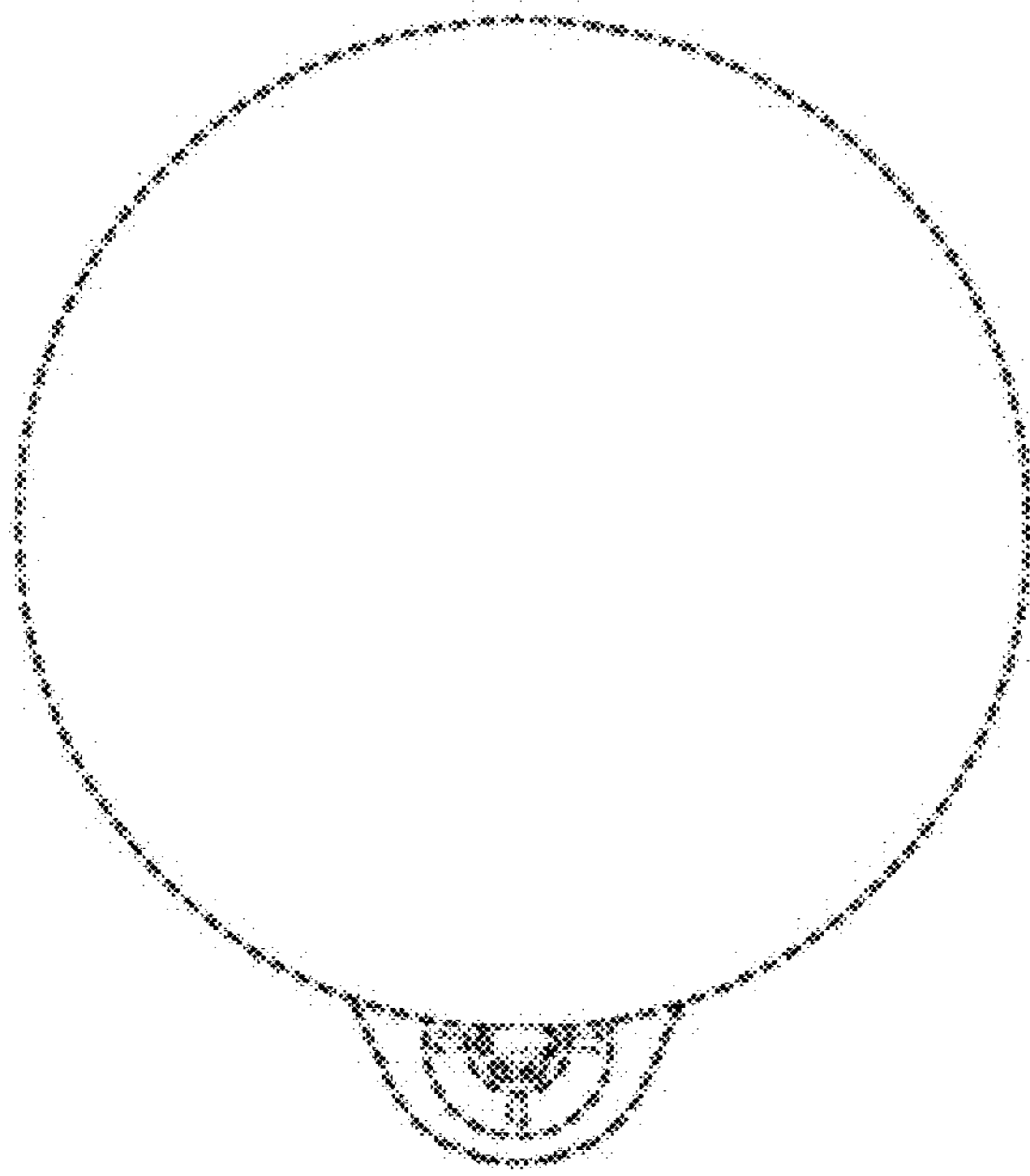


Figure 6

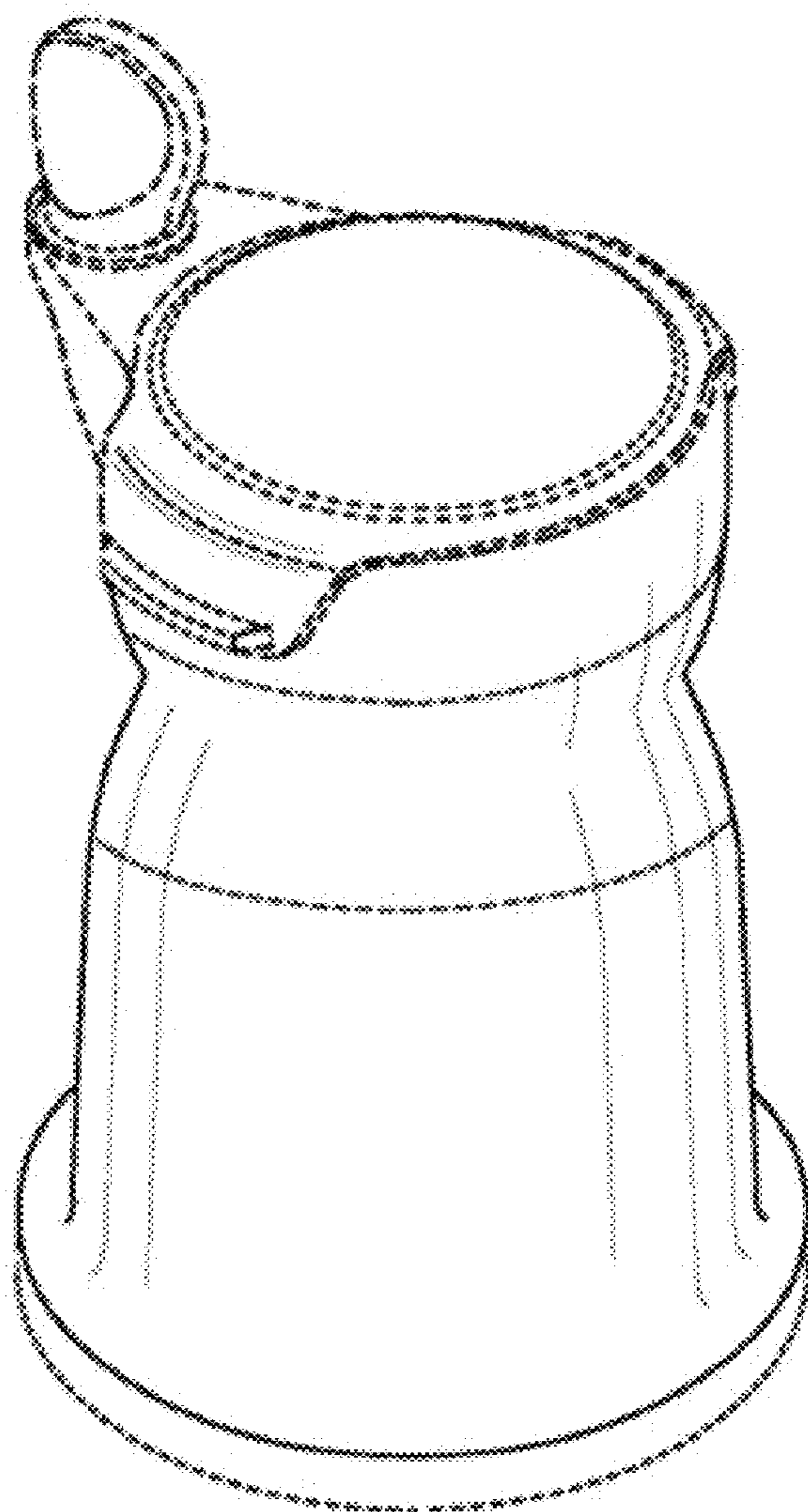


Figure 7