



US00D756174S

(12) **United States Design Patent**
Hueser

(10) **Patent No.:** **US D756,174 S**
(45) **Date of Patent:** **** May 17, 2016**

(54) **COMBINED BITE-SIZED HOT DOG AND SAUSAGE PREPARER**

(71) Applicant: **Holly Hueser**, Midlothian, TX (US)

(72) Inventor: **Holly Hueser**, Midlothian, TX (US)

(**) Term: **14 Years**

(21) Appl. No.: **29/481,546**

(22) Filed: **Feb. 6, 2014**

Related U.S. Application Data

(63) Continuation-in-part of application No. 13/115,010, filed on May 24, 2011, now abandoned.

(51) **LOC (10) Cl.** **07-04**

(52) **U.S. Cl.**
USPC **D7/673**

(58) **Field of Classification Search**
USPC D7/673, 693; 99/547, 537, 538, 495, 99/506-511; 83/932, 857, 167, 13, 858, 83/599, 597; 30/114, 116, 303, 304, 124
CPC B26B 27/002; B26F 1/24; A47J 36/00; A21C 11/106
See application file for complete search history.

(56) **References Cited**

U.S. PATENT DOCUMENTS

3,163,192	A *	12/1964	Lupoli	99/538
3,999,293	A	12/1976	Zubrycki	
4,300,286	A	11/1981	Panchula	
4,497,233	A	2/1985	Papalexis et al.	
4,599,928	A *	7/1986	Oker	83/581.1
5,499,578	A	3/1996	Payne	
5,692,424	A *	12/1997	Wallace	83/167
5,970,840	A	10/1999	Yan et al.	

6,018,876	A	2/2000	Hodges et al.	
7,065,880	B2	6/2006	Howman et al.	
7,340,835	B2	3/2008	Howman et al.	
7,617,753	B2	11/2009	Bouton et al.	
2003/0079350	A1 *	5/2003	Howman et al.	30/114
2007/0022611	A1 *	2/2007	Verbiest	30/114
2008/0229938	A1	9/2008	Hutto	
2010/0255155	A1	10/2010	Stone	
2012/0297991	A1	11/2012	Hueser	

OTHER PUBLICATIONS

Office Action mailed Aug. 6, 2013 for U.S. Appl. No. 13/115,010.
Office Action mailed Apr. 10, 2013 for U.S. Appl. No. 13/115,010.

* cited by examiner

Primary Examiner — Terry Wallace

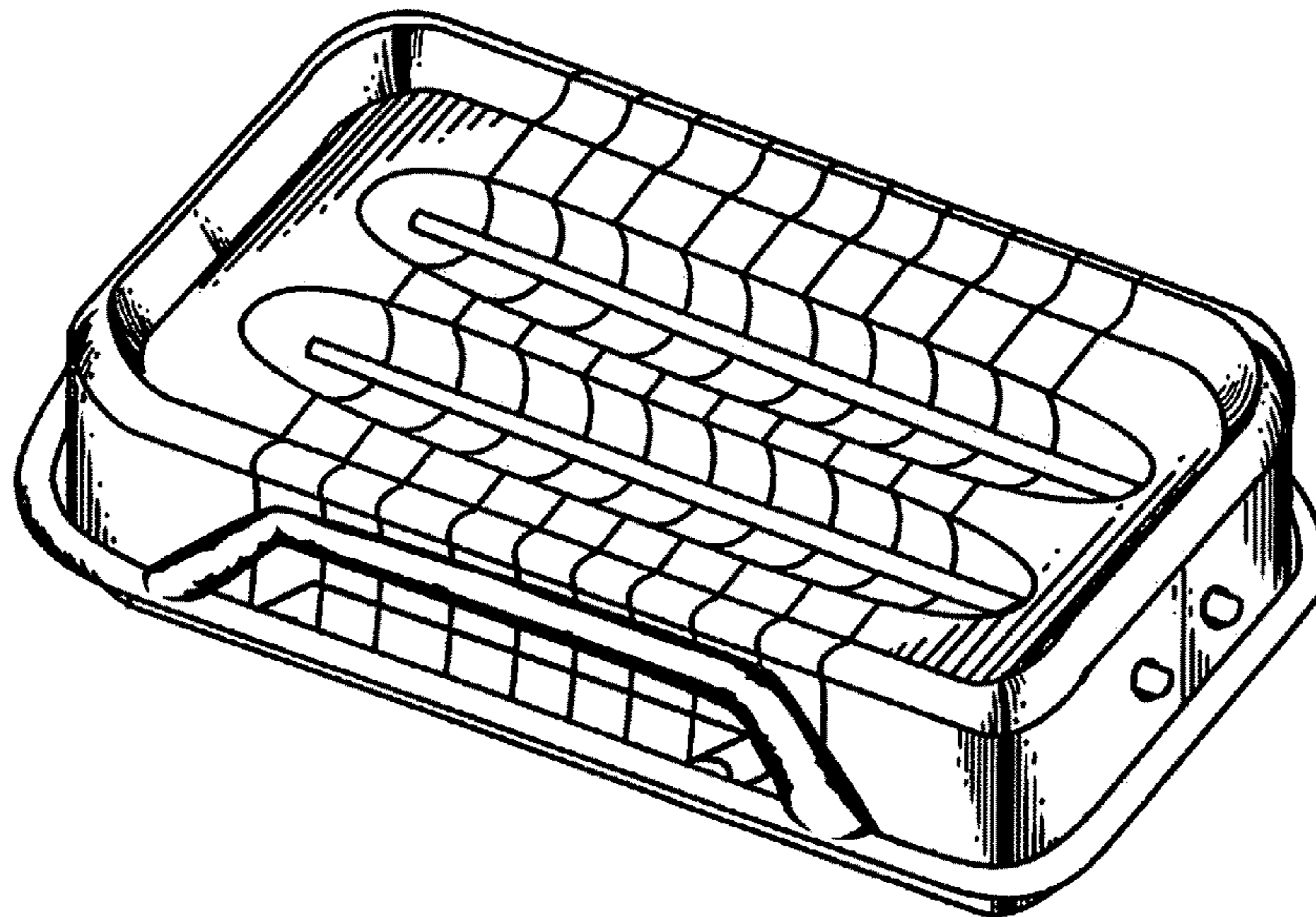
(57) **CLAIM**

The ornamental design for a combined bite-sized hot dog and sausage preparer, as shown and described.

DESCRIPTION

FIG. 1 is a perspective view of a bite-sized hot dog and sausage preparer showing my new design.
FIG. 2 is a left side view thereof.
FIG. 3 is a right side view thereof.
FIG. 4 is a rear view thereof.
FIG. 5 is a front view thereof.
FIG. 6 is a top plan view thereof.
FIG. 7 is a bottom plan view thereof.
FIG. 8 is an exploded perspective view thereof in an open position and the corers separated from the preparer.
FIG. 9 is a right side view of FIG. 8.
FIG. 10 is a left side view of FIG. 8.
FIG. 11 is a top plan view of FIG. 8; and,
FIG. 12 is a bottom plan view of FIG. 8.

1 Claim, 12 Drawing Sheets



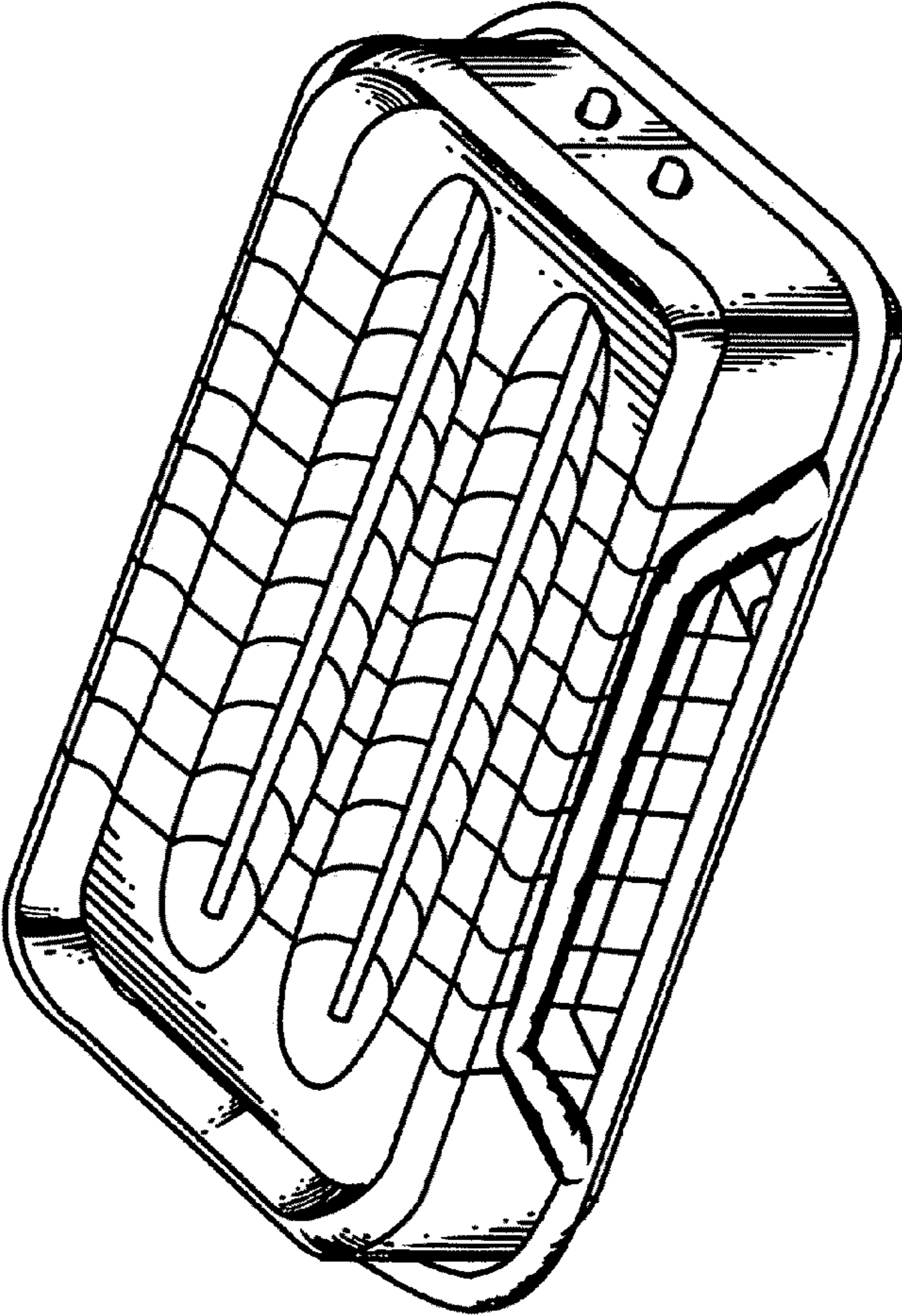


FIG. 1

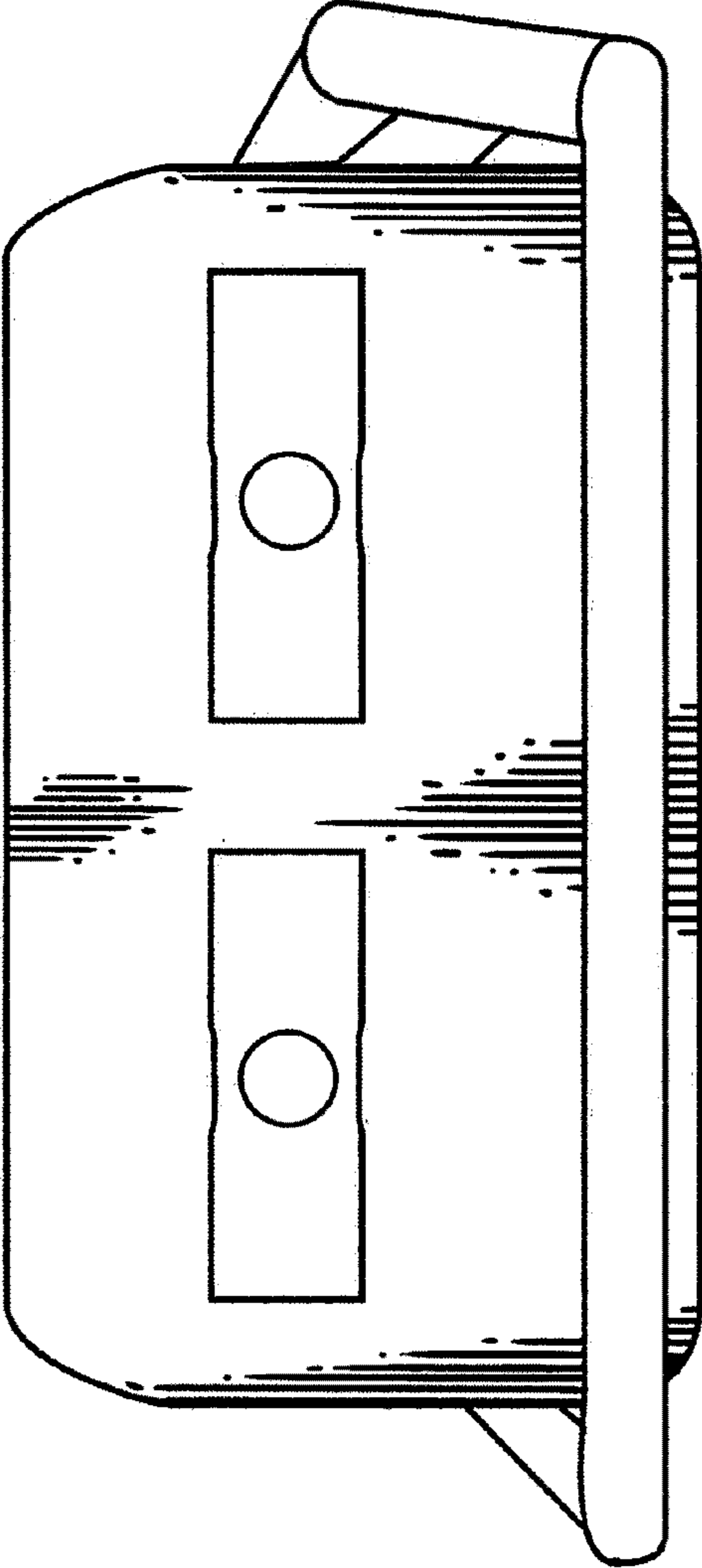


FIG. 2

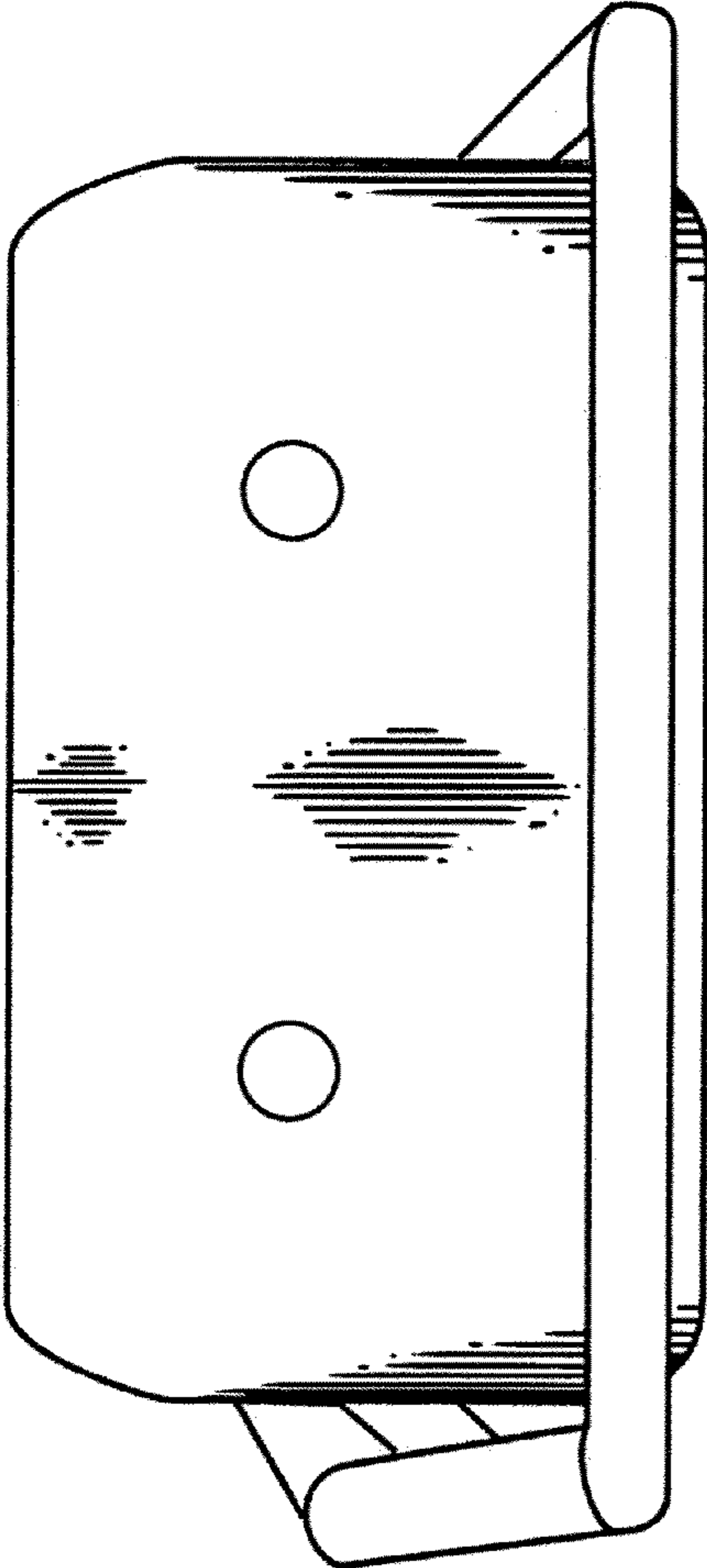


FIG. 3

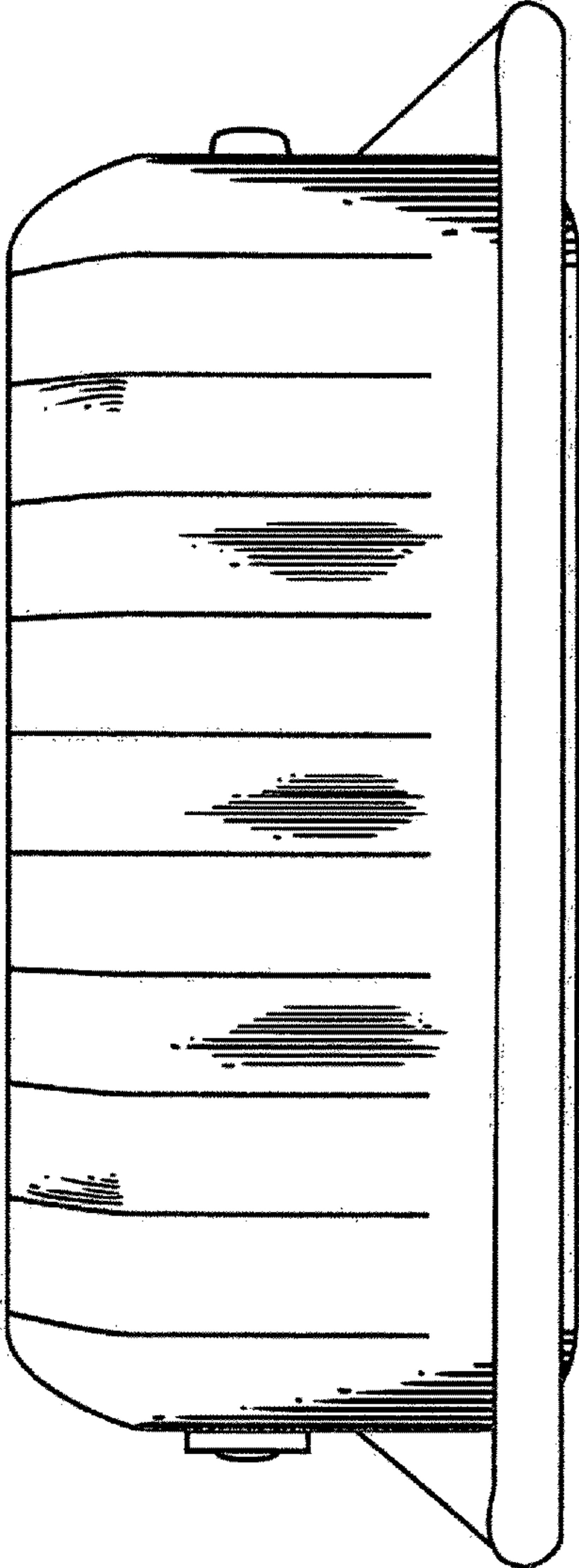


FIG. 4

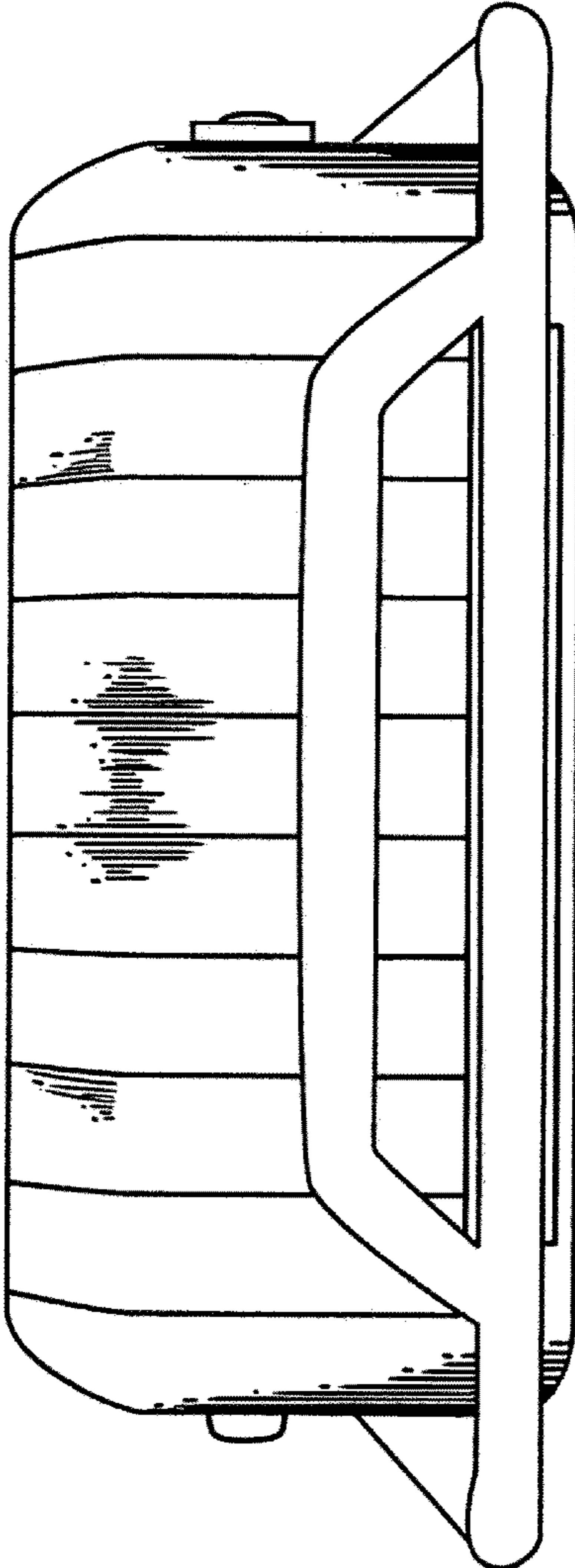


FIG. 5

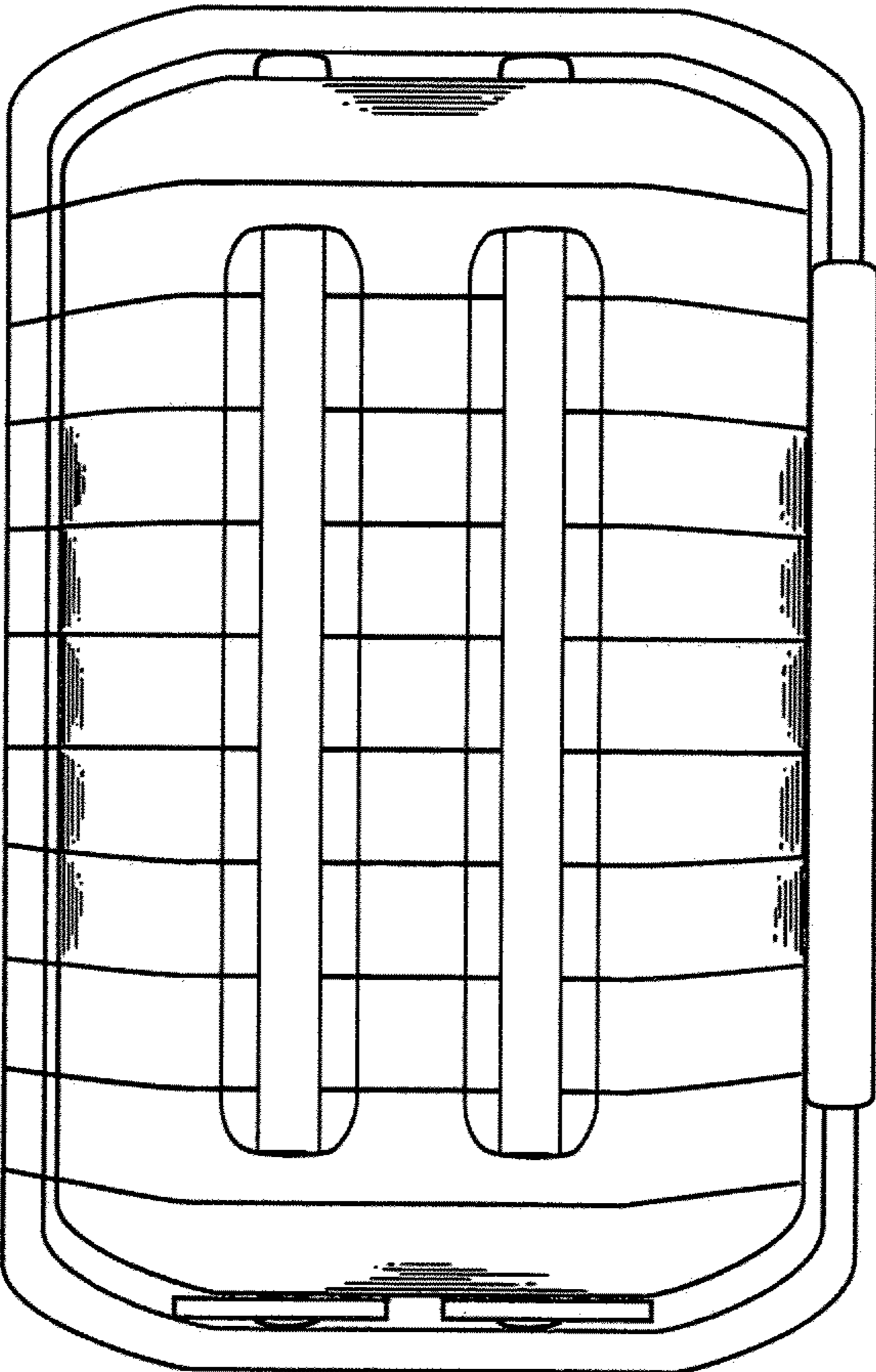


FIG. 6

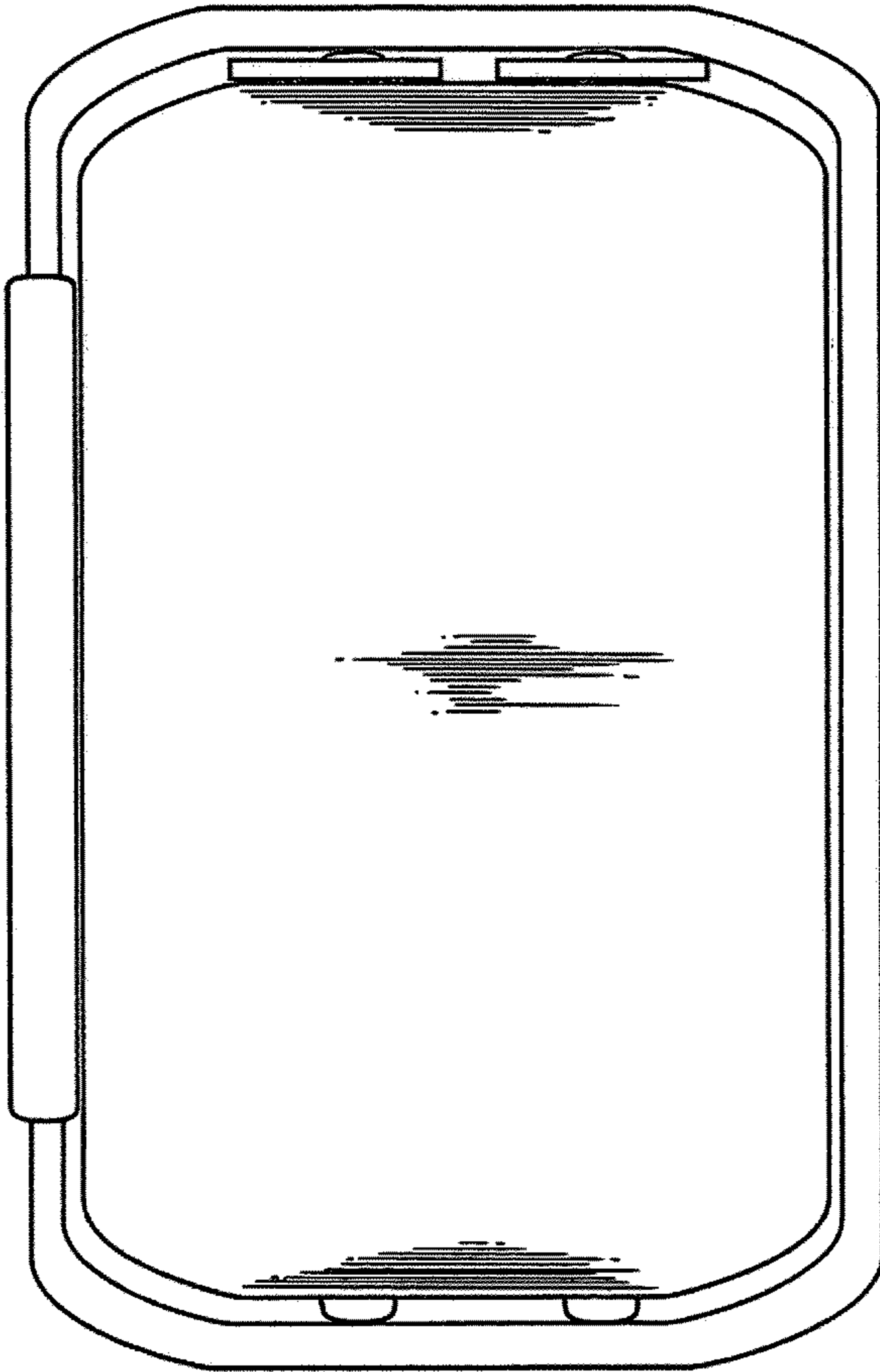


FIG. 7

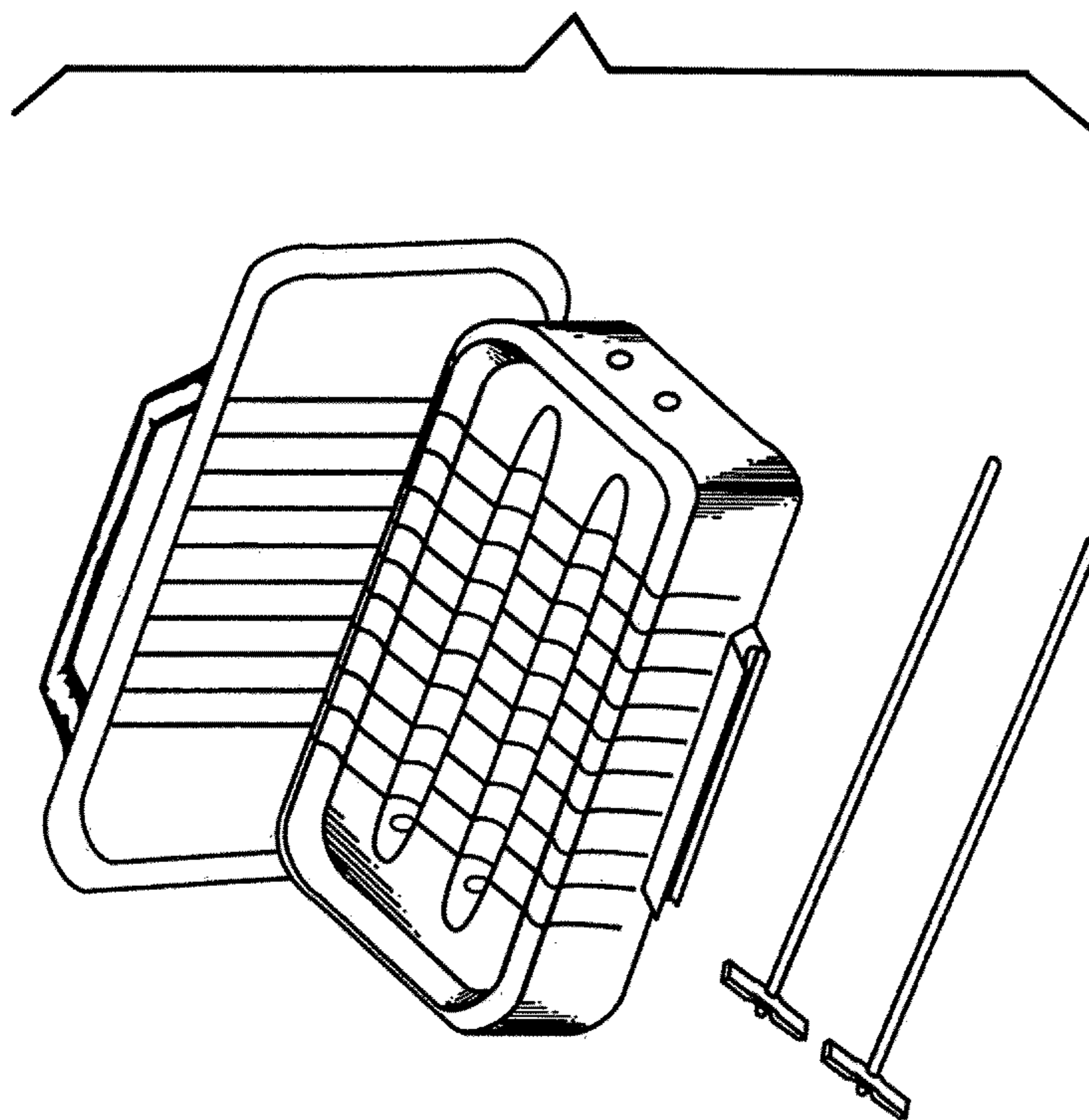


FIG. 8

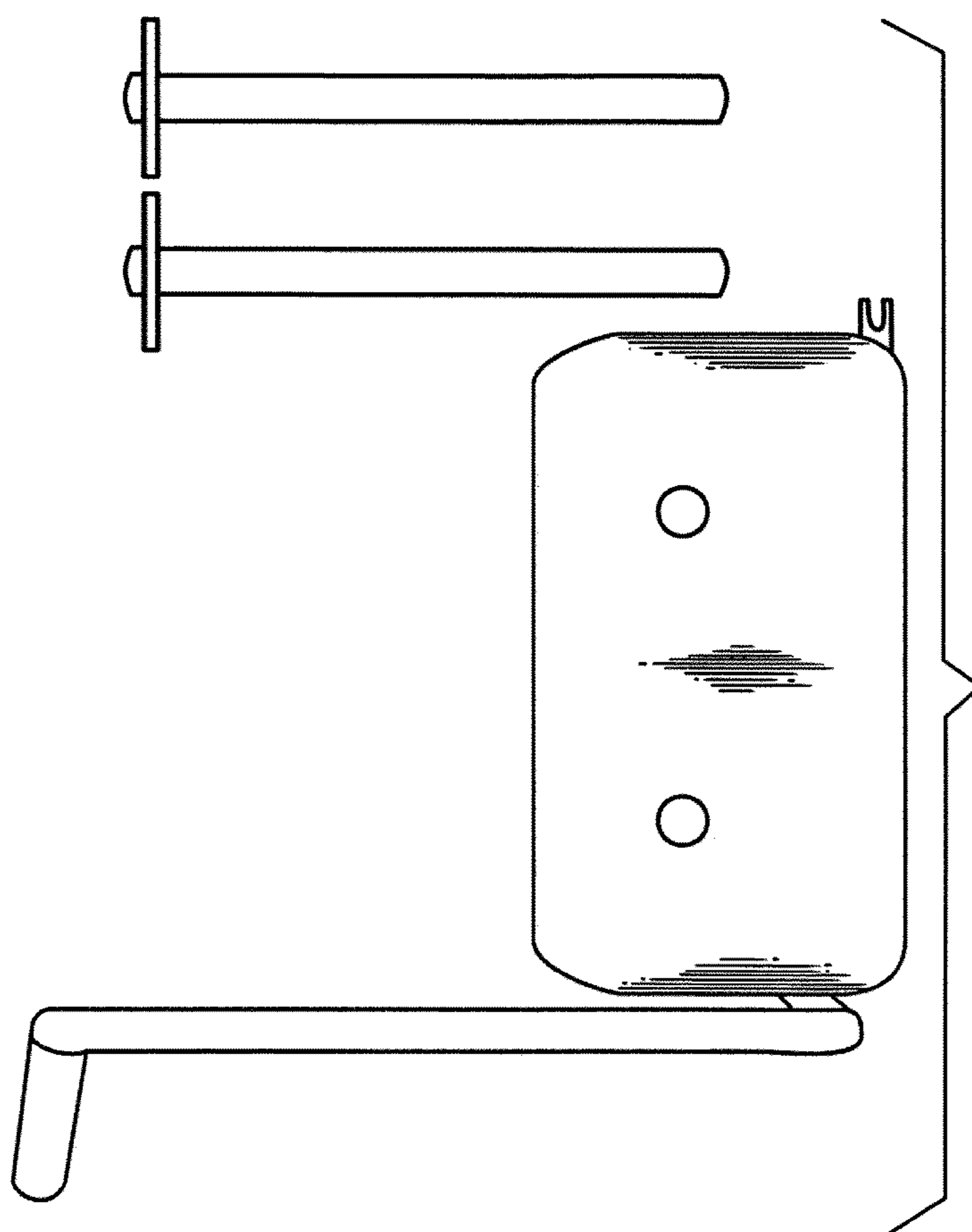


FIG. 9

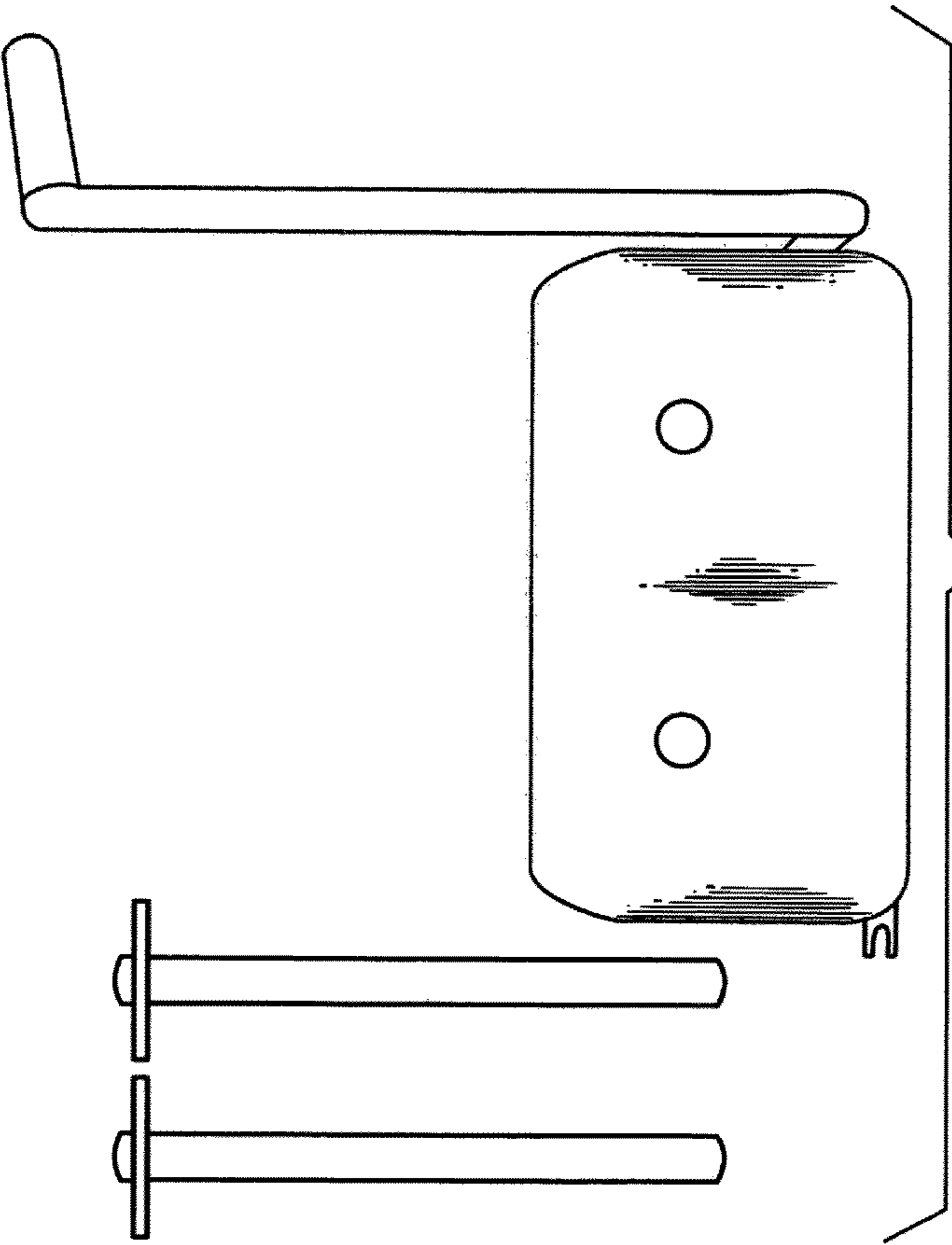


FIG. 10

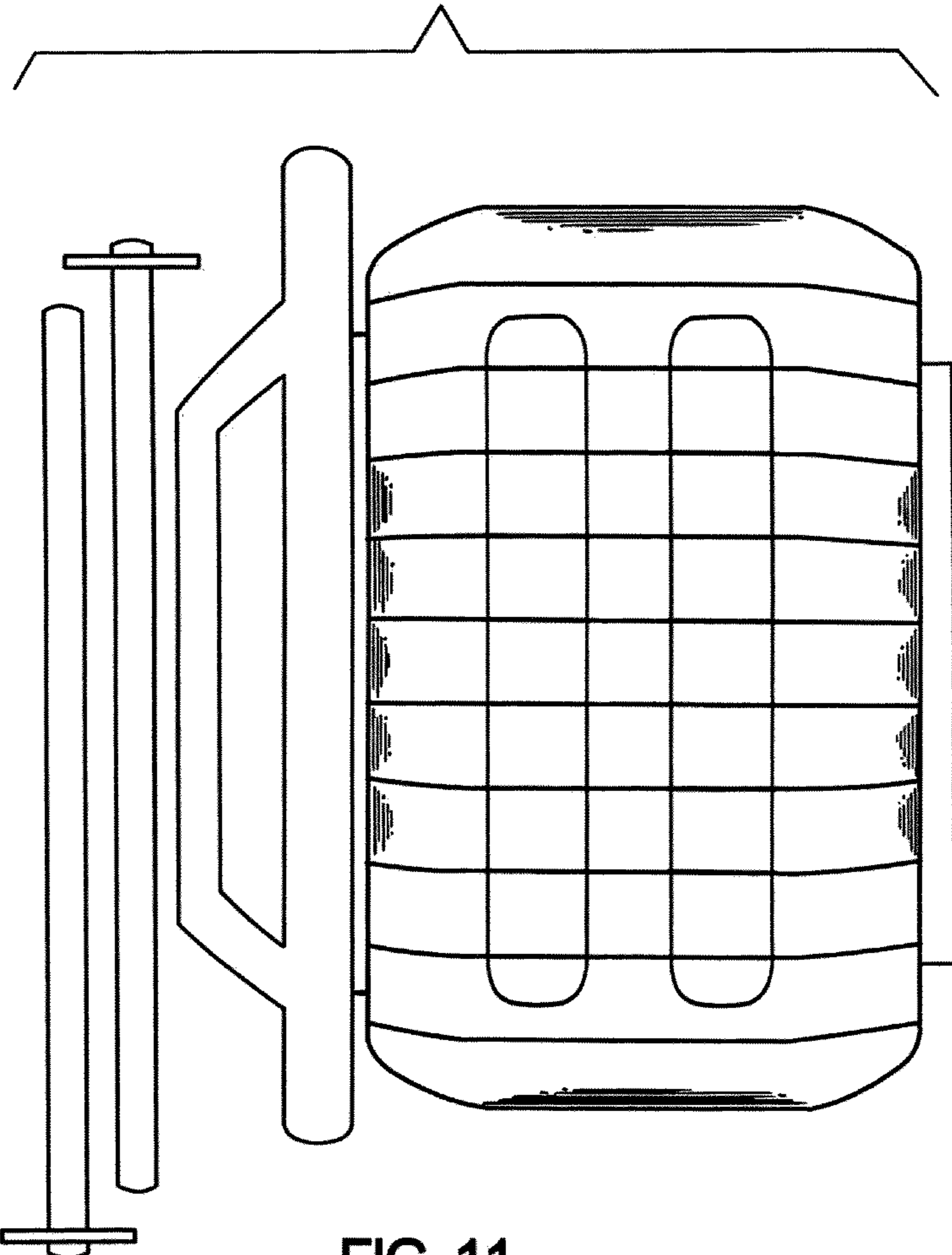


FIG. 11

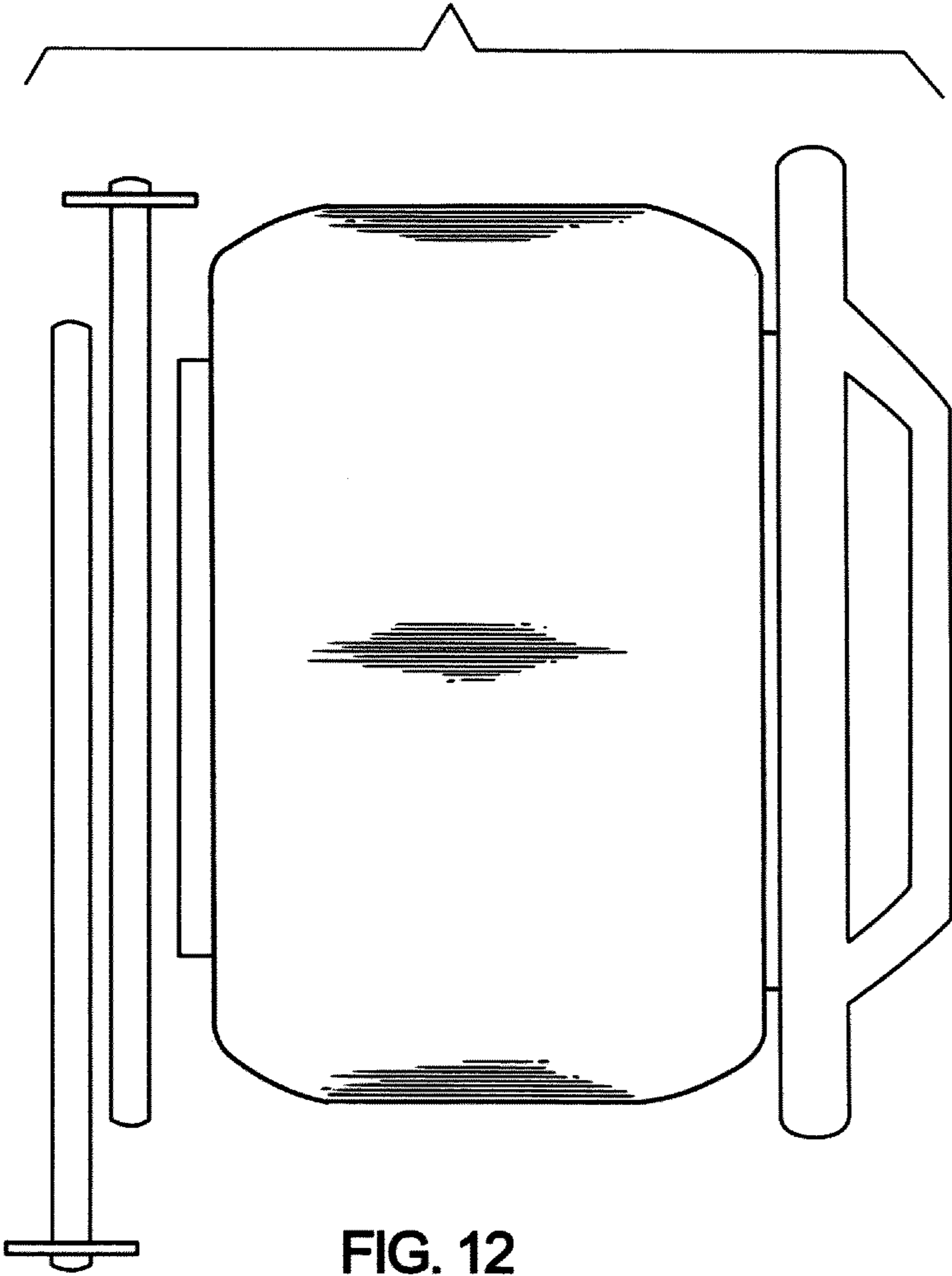


FIG. 12