



US00D756169S

(12) **United States Design Patent**
Lorans

(10) **Patent No.:** **US D756,169 S**
(45) **Date of Patent:** **** May 17, 2016**

- (54) **CONTAINER IN THE SHAPE OF A CHILI PEPPER**
- (71) Applicant: **Béatrice M. Lorans**, Saint-Grégoire (FR)
- (72) Inventor: **Béatrice M. Lorans**, Saint-Grégoire (FR)
- (73) Assignee: **Dart Industries Inc.**, Orlando, FL (US)
- (**) Term: **14 Years**
- (21) Appl. No.: **29/510,693**
- (22) Filed: **Dec. 2, 2014**
- (51) **LOC (10) Cl.** **07-01**
- (52) **U.S. Cl.**
USPC **D7/628**
- (58) **Field of Classification Search**
USPC D7/628, 629, 630, 601, 602, 612–615,
D7/538–542; D9/424–432, 600, 645, 761;
D3/201
CPC B65D 43/02; B65D 43/14; B65D 43/16;
B65D 2543/00092; B65D 2543/00296; B65D
2543/00537
See application file for complete search history.

D604,113 S *	11/2009	Braidotti	D7/628
D604,116 S *	11/2009	Braidotti	D7/628
D604,117 S *	11/2009	Braidotti	D7/628
D605,471 S *	12/2009	Ehrenhaus	D7/628
D611,775 S *	3/2010	Yung	D7/613
D614,452 S *	4/2010	Ablo	D7/628
D634,985 S *	3/2011	Rueda	D7/629
D650,241 S *	12/2011	Ehrenhaus	D7/628
D650,242 S *	12/2011	Ehrenhaus	D7/628
D666,459 S *	9/2012	Kolano	D7/628
D666,460 S *	9/2012	Kolano	D7/628
D672,207 S *	12/2012	Ehrenhaus	D7/628
D681,399 S *	5/2013	Piacenza	D7/628
D684,461 S *	6/2013	Chen	D9/429
D700,019 S *	2/2014	Kolano	D7/628

* cited by examiner

Primary Examiner — George D Kirschbaum
Assistant Examiner — Clese Moore, Jr.
(74) *Attorney, Agent, or Firm* — Taylor J. Ross

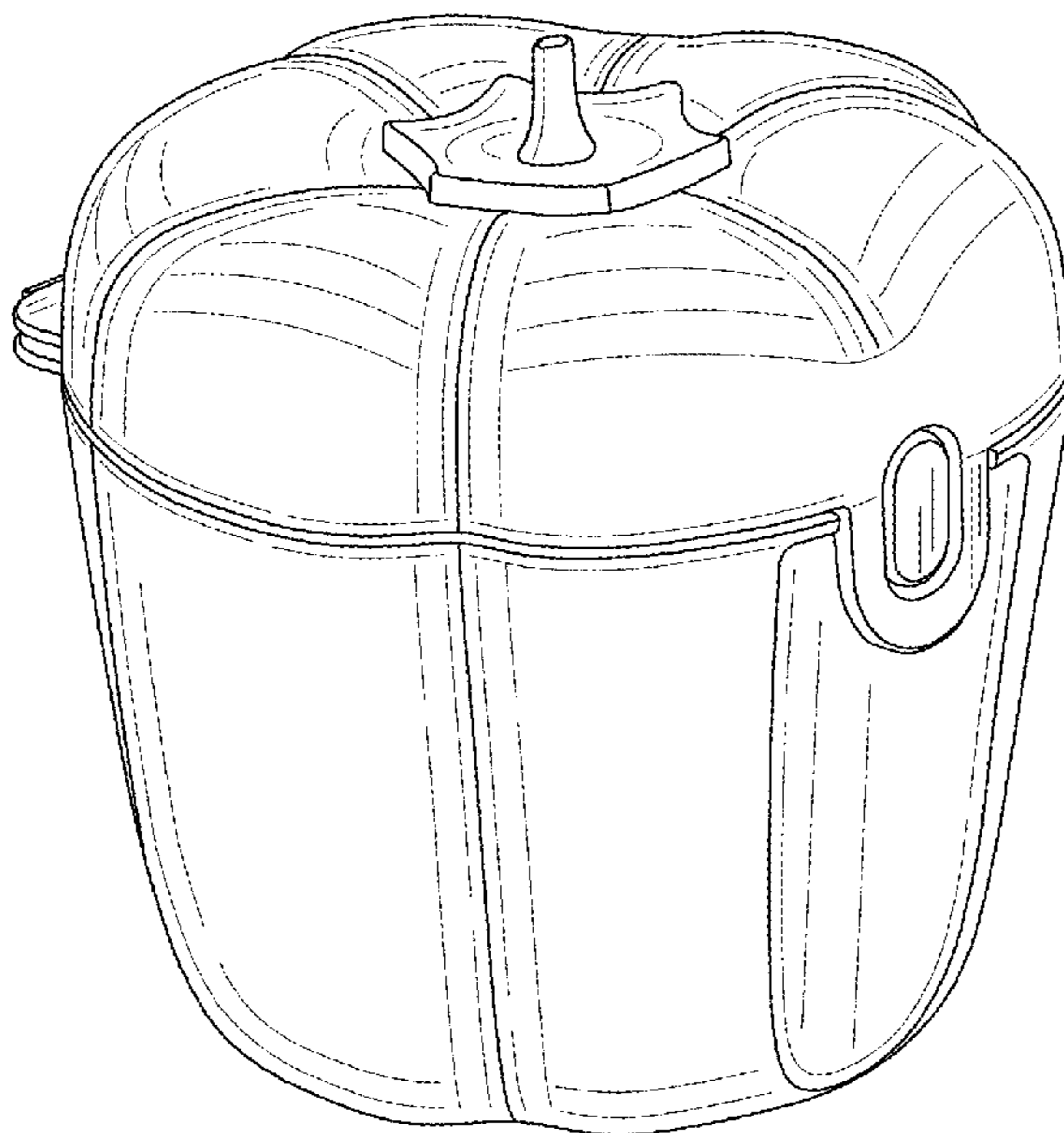
(57) **CLAIM**
The ornamental design for a container in the shape of a chili pepper, as shown and described.

DESCRIPTION

FIG. 1 is a top, right side and front perspective view of a container in the shape of a chili pepper showing my new design;
FIG. 2 is a top, left side and rear perspective view thereof;
FIG. 3 is a top plan view thereof;
FIG. 4 is a bottom plan view thereof;
FIG. 5 is a front elevation view thereof;
FIG. 6 is a rear elevation view thereof; and,
FIG. 7 is a left side elevation view, the right side being a mirror image thereof.

1 Claim, 4 Drawing Sheets

- (56) **References Cited**
U.S. PATENT DOCUMENTS
- D478,784 S 8/2003 Rorke
- D478,785 S * 8/2003 Rorke D7/628
- D538,114 S * 3/2007 Kolano D7/628
- D559,625 S * 1/2008 Ablo D7/538
- D562,082 S * 2/2008 Ehrenhaus D7/628
- D586,229 S 2/2009 Pallotto
- D604,110 S * 11/2009 Braidotti D7/628



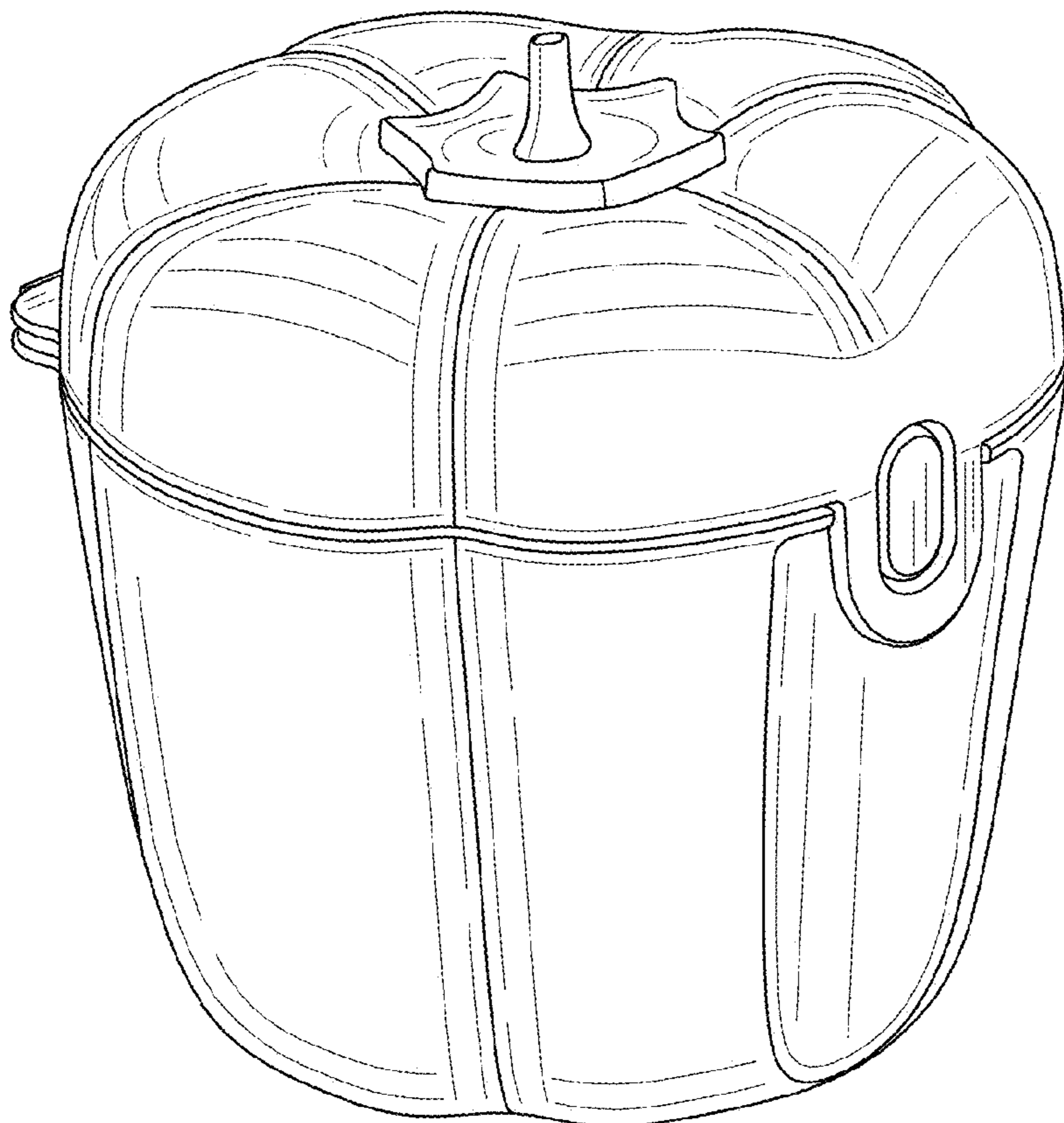


FIG. 1

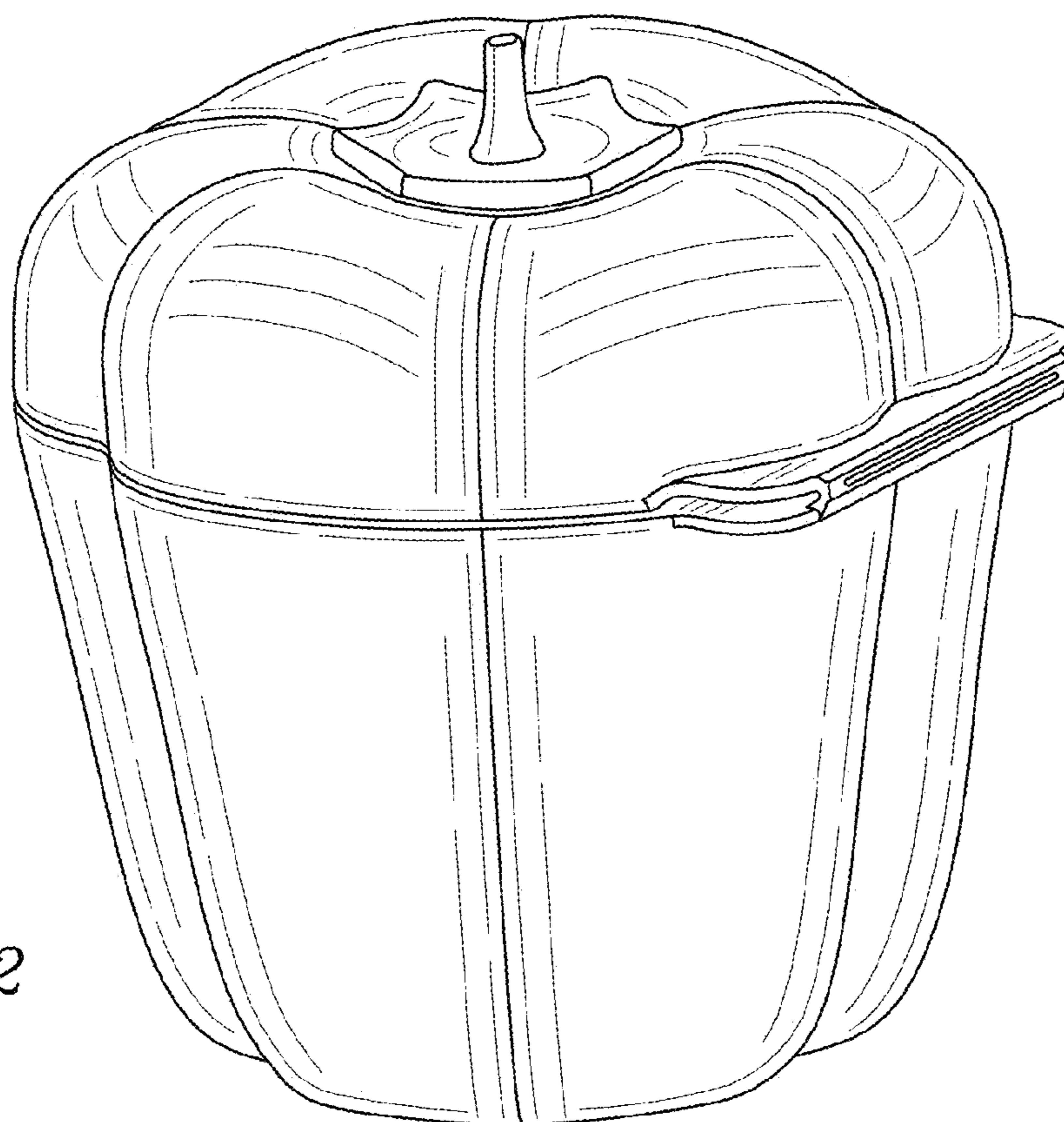


FIG. 2

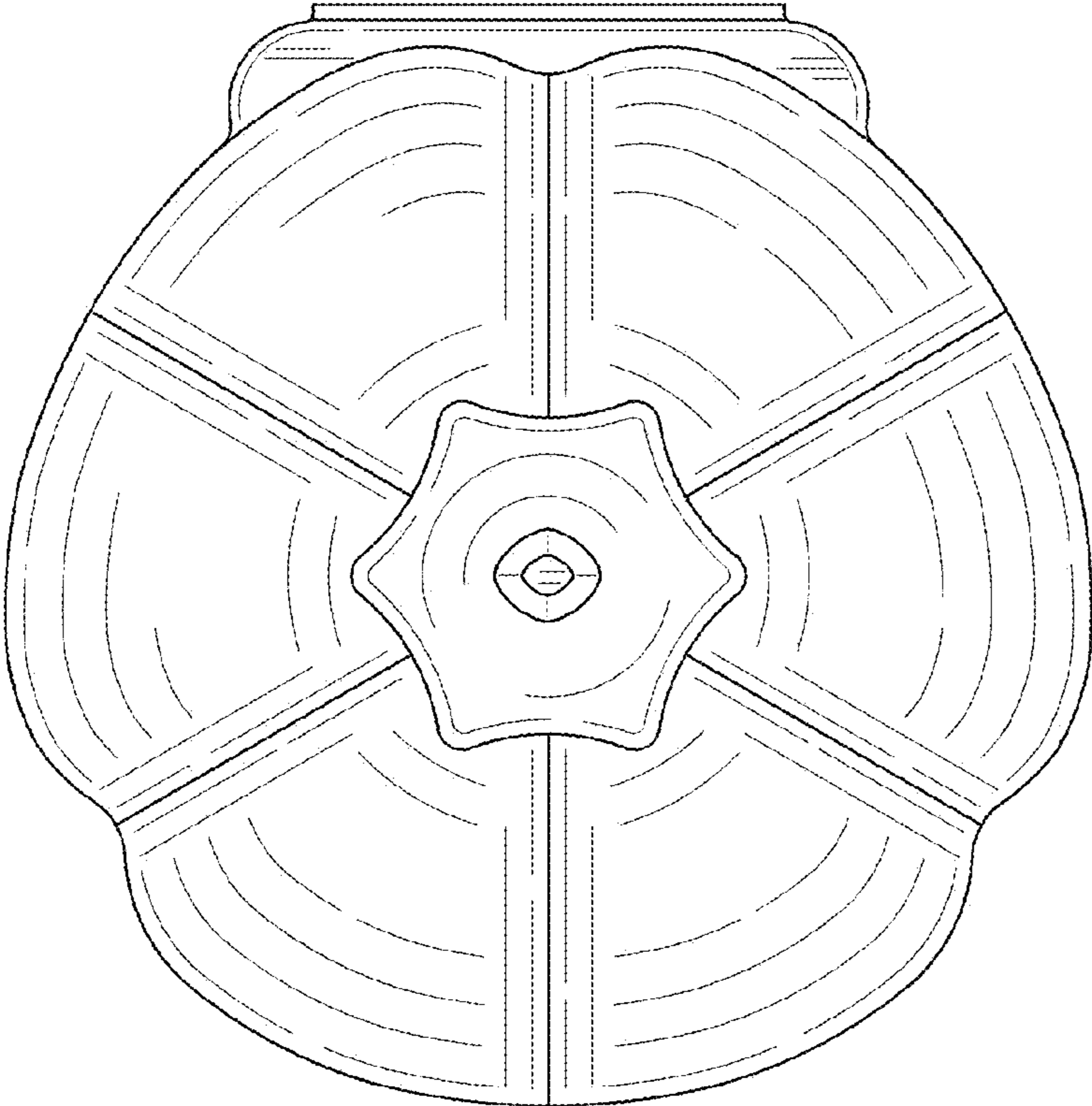


FIG. 3

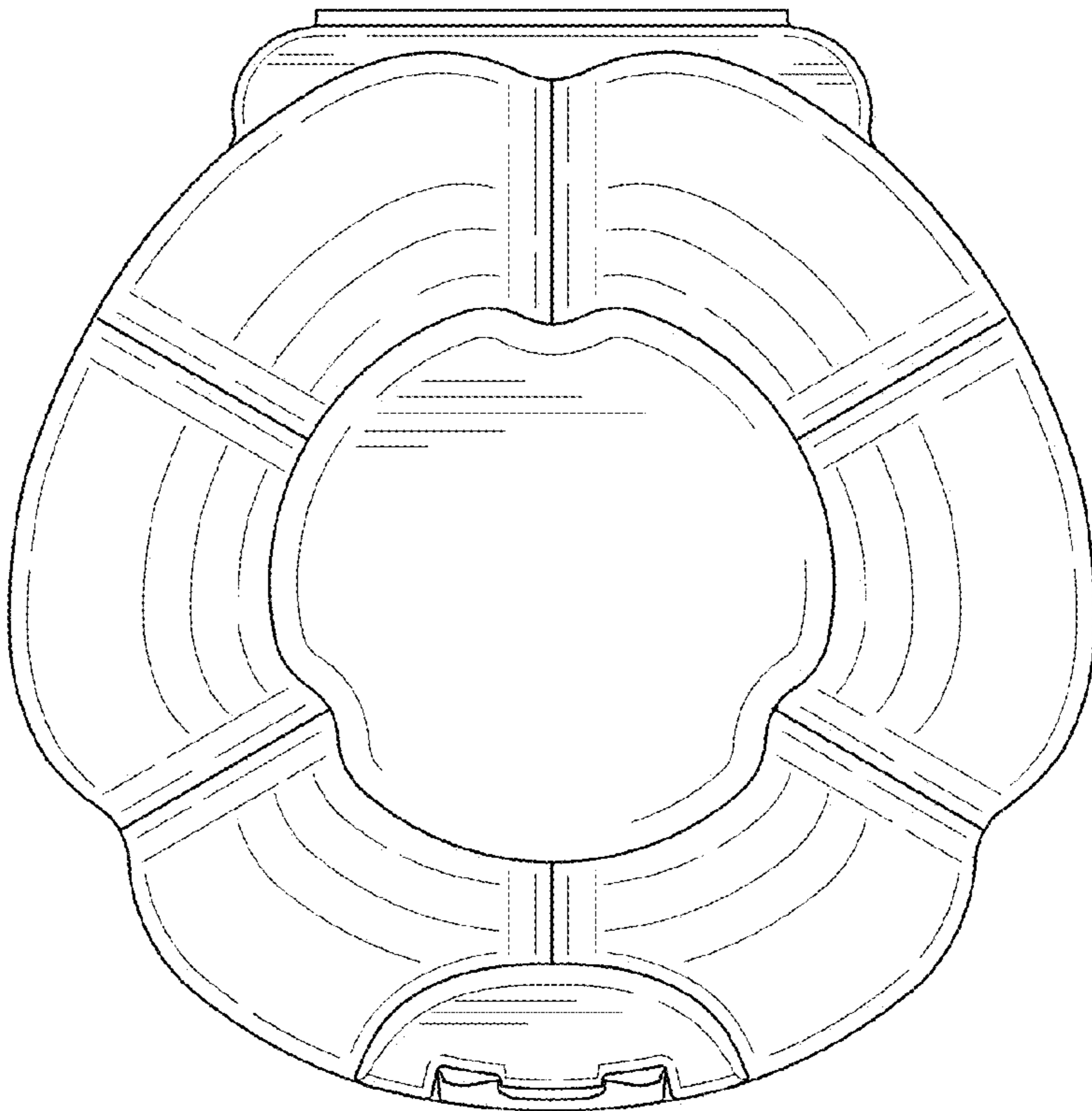


FIG. 4

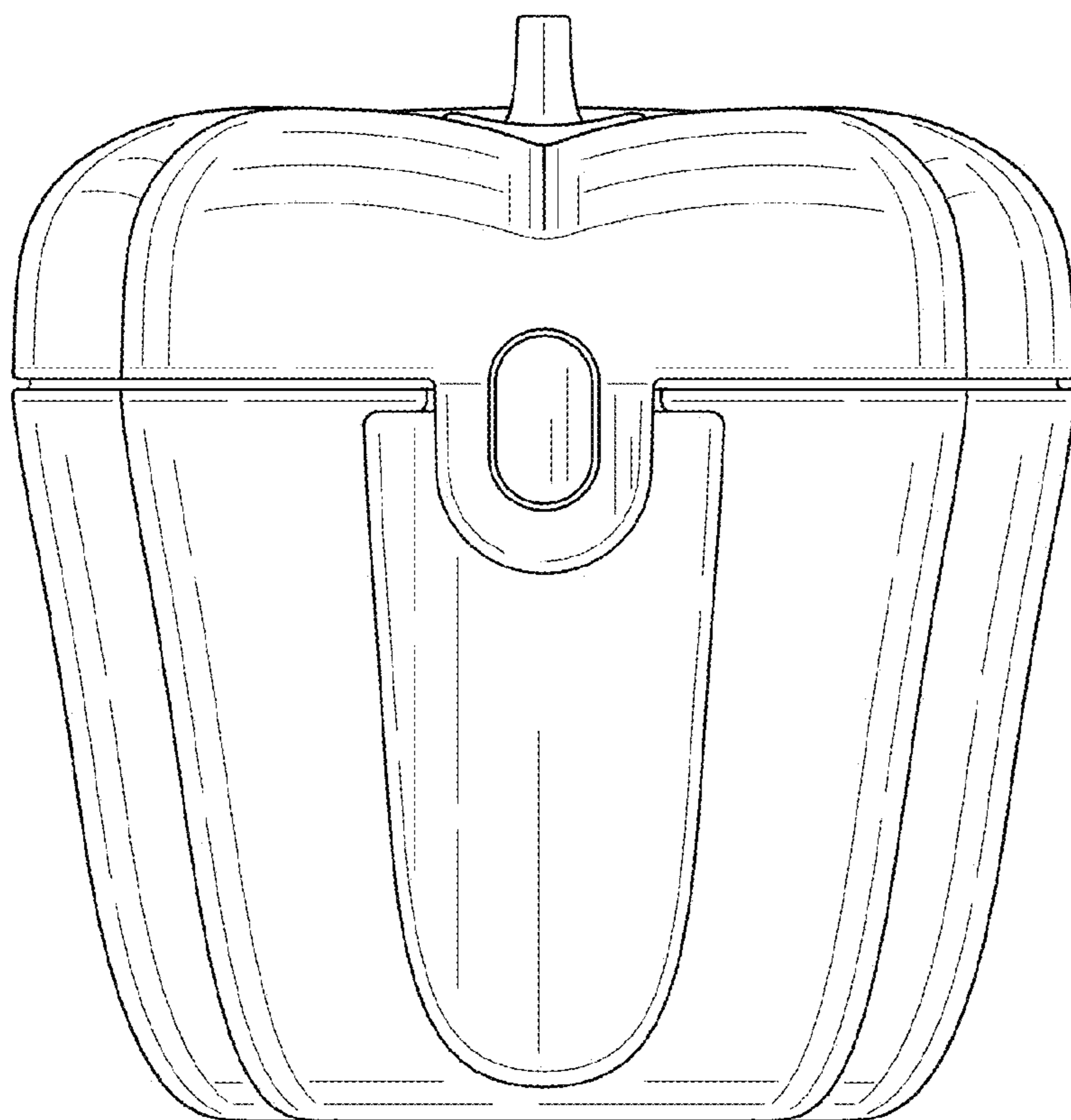


FIG. 5

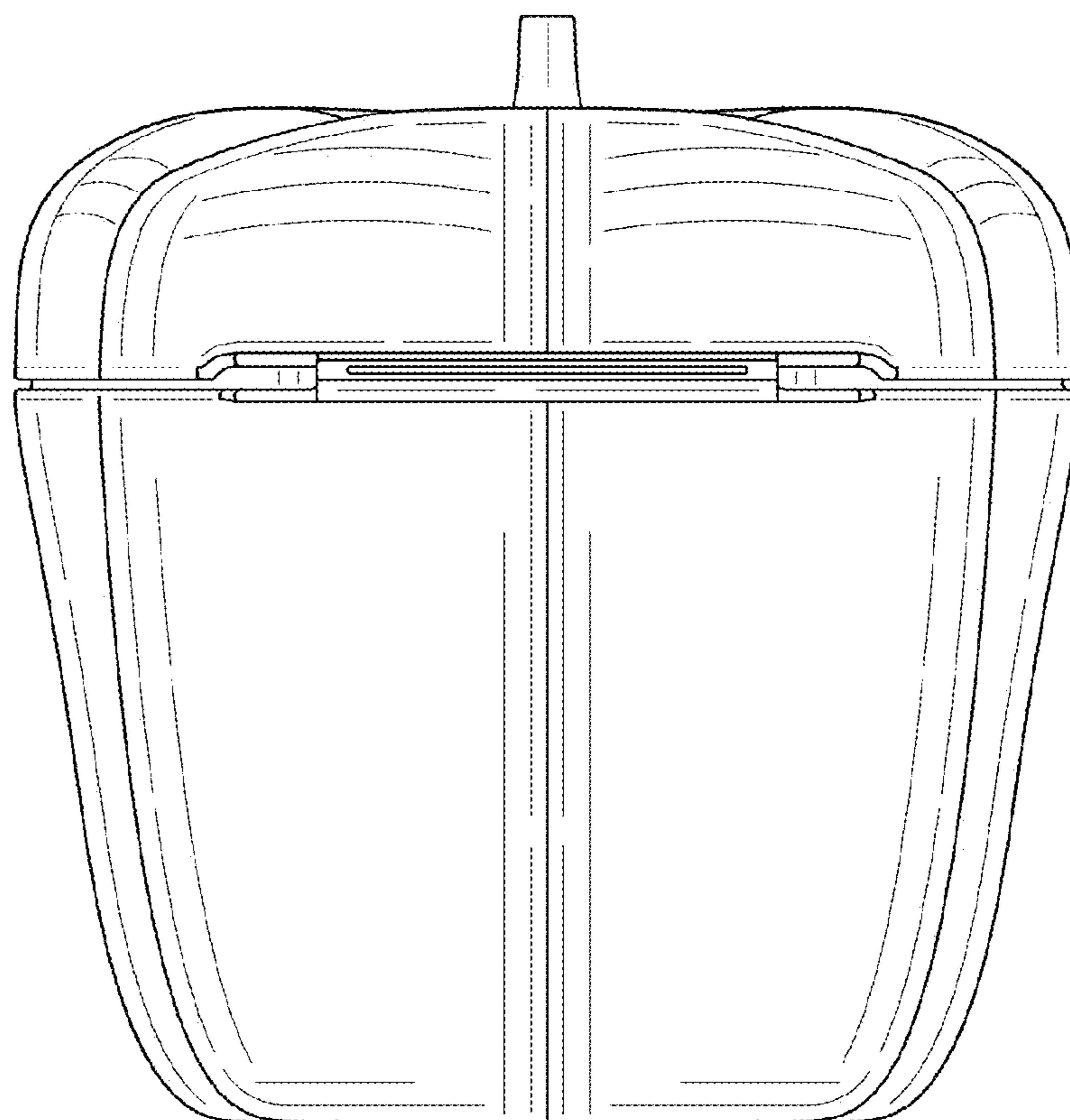


FIG. 6



FIG. 7