



US00D756166S

(12) **United States Design Patent**
Lee et al.

(10) **Patent No.:** **US D756,166 S**
(45) **Date of Patent:** **** May 17, 2016**

(54) **ELECTRIC BLENDER**

(56) **References Cited**

(71) Applicants: **Alexander T. F. Lee**, New York, NY
(US); **Davin Stowell**, New York, NY
(US); **Joern Vicari**, Brooklyn, NY (US)

(72) Inventors: **Alexander T. F. Lee**, New York, NY
(US); **Davin Stowell**, New York, NY
(US); **Joern Vicari**, Brooklyn, NY (US)

(73) Assignee: **HELEN OF TROY LIMITED**, St.
Michael (BB)

(**) Term: **14 Years**

(21) Appl. No.: **29/518,292**

(22) Filed: **Feb. 22, 2015**

(51) **LOC (10) Cl.** **31-00**

(52) **U.S. Cl.**
USPC **D7/380**; D7/376; D7/379

(58) **Field of Classification Search**
USPC D7/372, 376–386, 412–413, 602, 629,
D7/665–666, 669, 679, 693–694
CPC A21C 1/02; A21C 1/04; A23N 1/00;
A23N 1/02; A47J 43/04; A47J 43/25; A47J
43/27; A47J 43/042; A47J 43/004; A47J
43/046; A47J 43/0711; A47J 43/075; A47J
43/0722; A47J 43/0727; B01F 3/00; B01F
3/0807; B01F 3/0853; B01F 13/0059; B01F
13/0064; B02C 1/08; B02C 2/04; B02C 4/42;
B02C 4/142; B02C 4/143; B02C 4/423;
B02C 13/1835; B28C 5/10; B28C 5/12;
B28C 5/14; B28C 5/16

See application file for complete search history.

U.S. PATENT DOCUMENTS

D361,241	S	*	8/1995	Littmann	D7/376
D383,938	S	*	9/1997	Littmann	D7/376
D485,729	S	*	1/2004	Patton	D7/376
D534,032	S	*	12/2006	Lloyd	D7/380
D649,394	S	*	11/2011	Grabes	D7/376
D662,765	S	*	7/2012	Grabes	D7/376
D681,391	S	*	5/2013	Agren	D7/376
D691,412	S	*	10/2013	Ragot	D7/376
D695,565	S	*	12/2013	Verbrugge	D7/376
D724,373	S	*	3/2015	Jl	D7/376
D726,496	S	*	4/2015	Vu	D7/376
D731,236	S	*	6/2015	Yin	D7/376
2005/0078549	A1	*	4/2005	Hamelin	A47J 43/0711 366/129

* cited by examiner

Primary Examiner — Ricky Pham

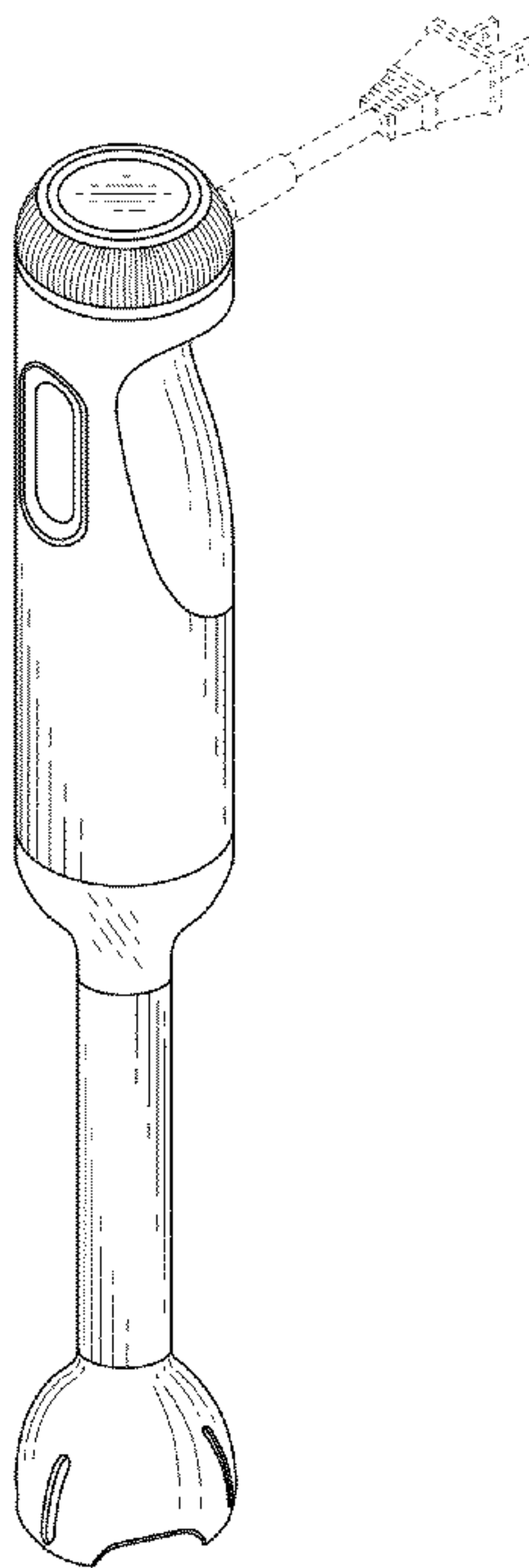
(57) **CLAIM**

The ornamental design for an electric blender, as shown, and described.

DESCRIPTION

FIG. 1 is a perspective view of the electric blender; FIG. 2 is a right side view of the electric blender; FIG. 3 is a left side view of the electric blender; FIG. 4 is a front view of the electric blender; FIG. 5 is a rear view of the electric blender; FIG. 6 is a top view of the electric blender; and, FIG. 7 is a bottom view of the electric blender. The broken lines are for illustrative purposes only and form no part of the claimed design.

1 Claim, 7 Drawing Sheets



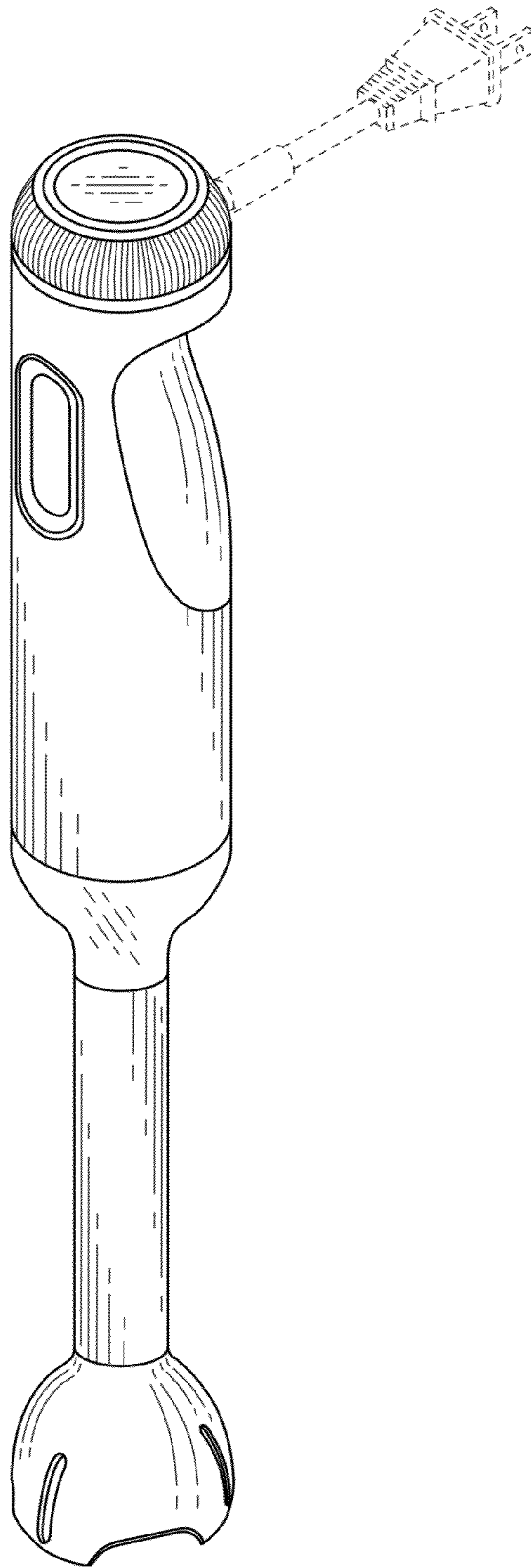


Figure 1

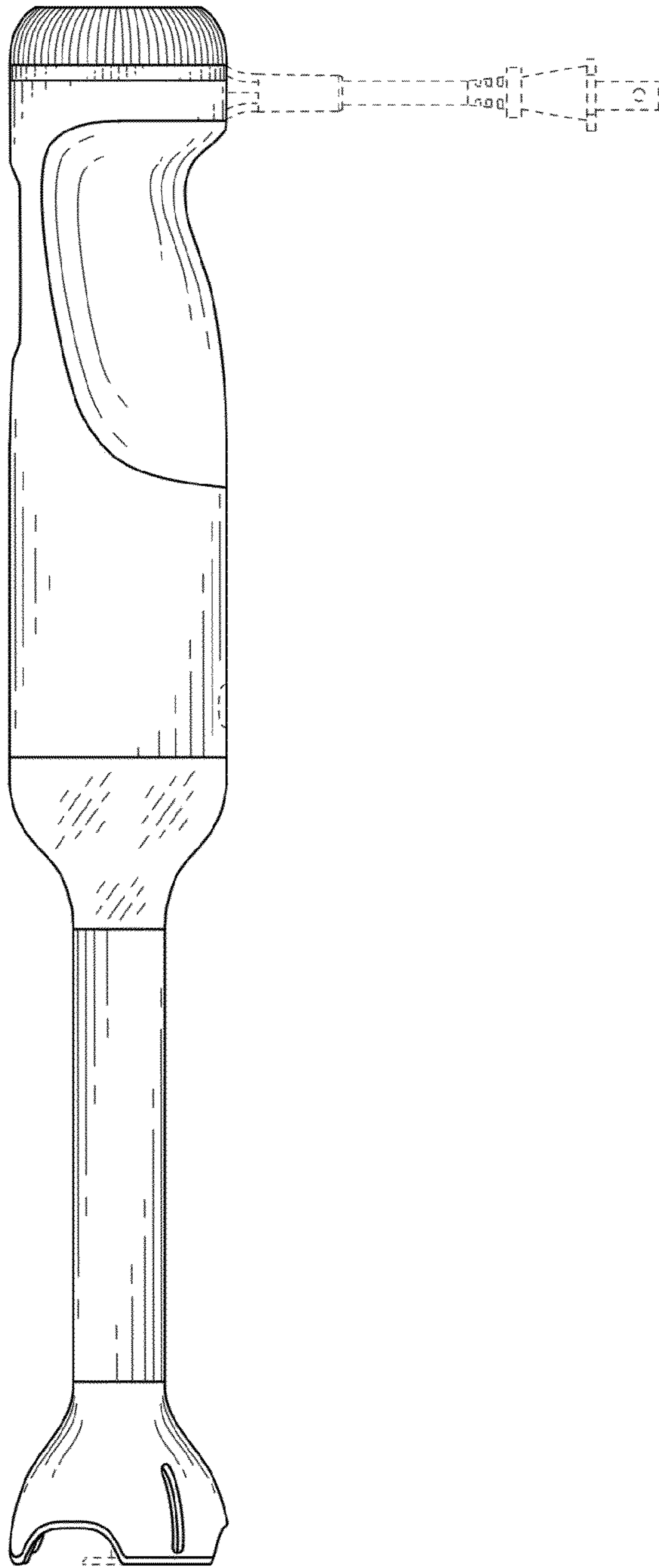


Figure 2

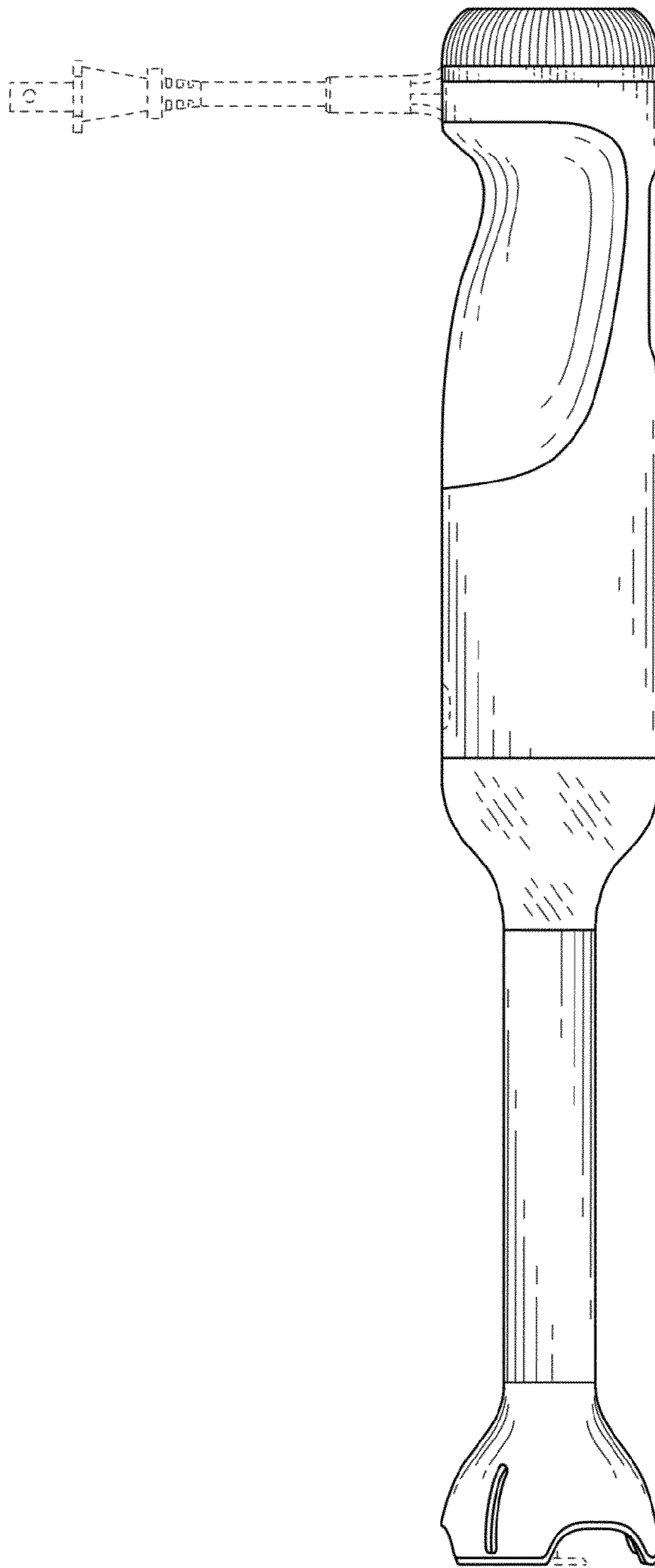


Figure 3

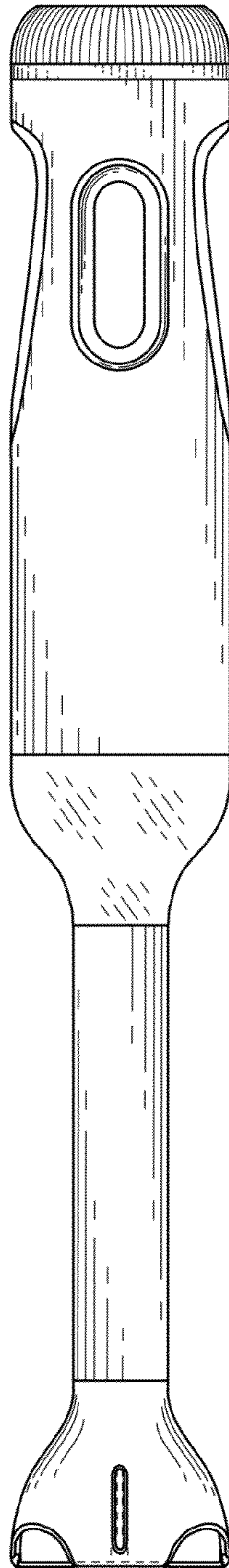


Figure 4

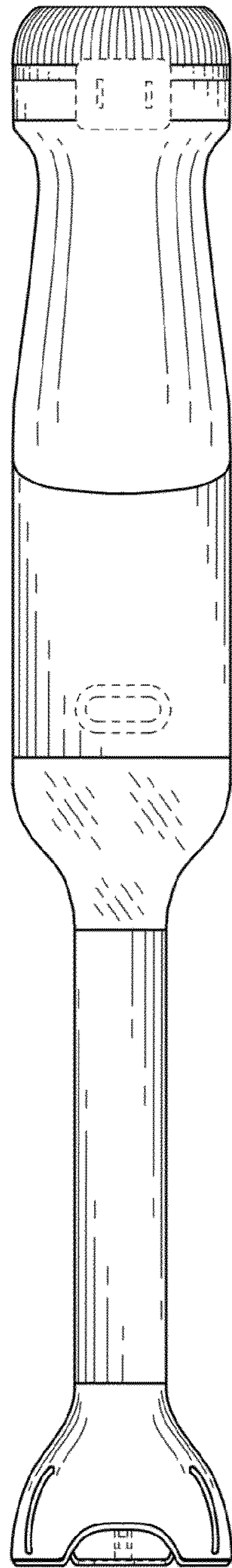


Figure 5

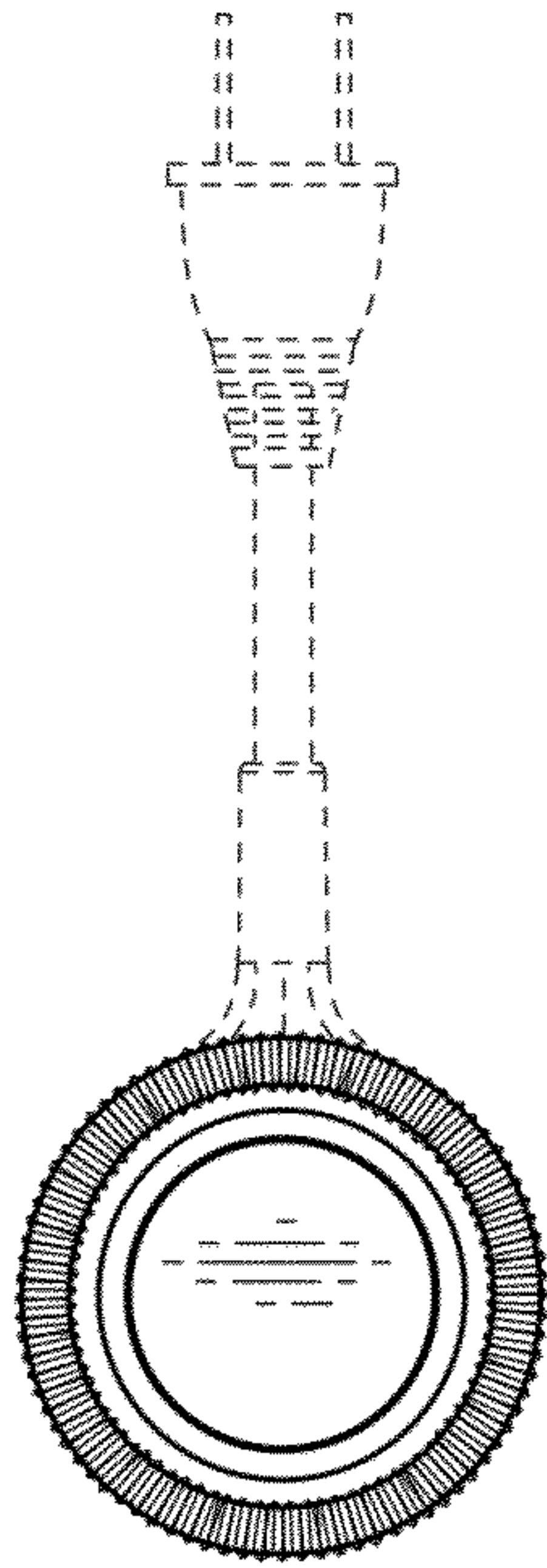


Figure 6

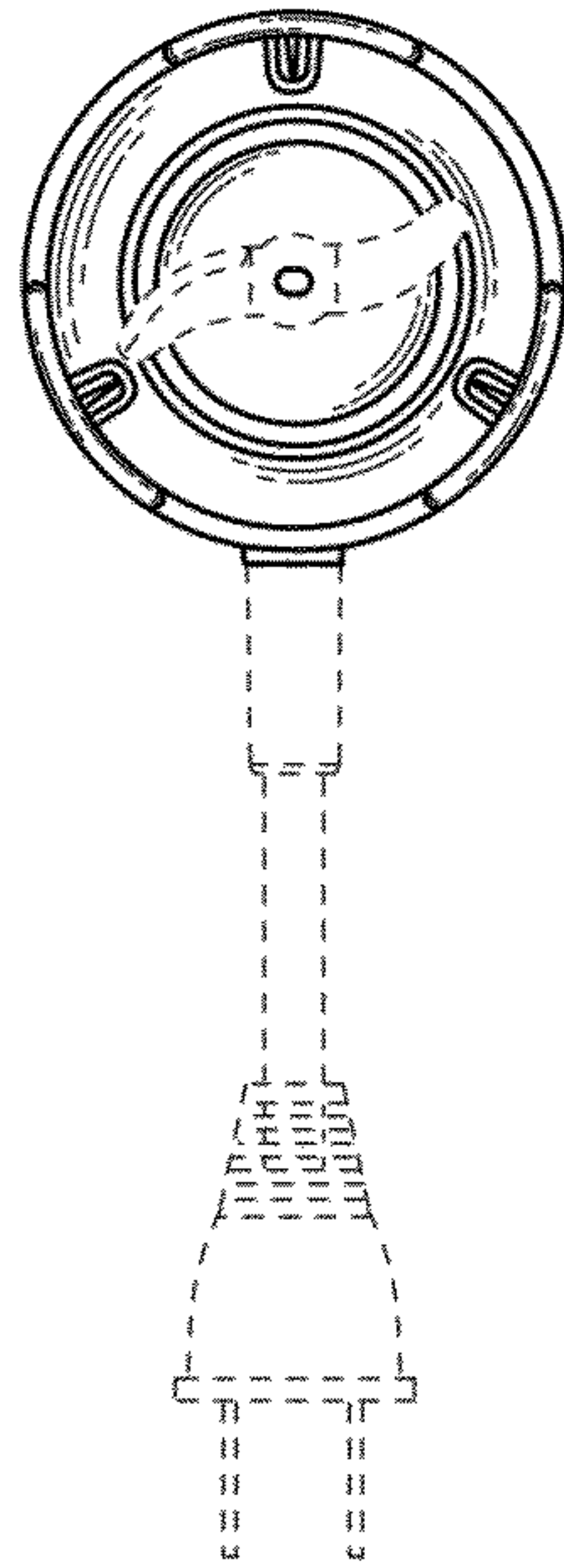


Figure 7