



US00D756165S

(12) **United States Design Patent**
Lee et al.

(10) **Patent No.:** **US D756,165 S**
(45) **Date of Patent:** **** May 17, 2016**

(54) **ELECTRIC MIXER**

(56) **References Cited**

(71) Applicants: **Alexander T. F. Lee**, New York, NY
(US); **Davin Stowell**, New York, NY
(US); **Joern Vicari**, Brooklyn, NY (US)

U.S. PATENT DOCUMENTS

D174,117	S	*	3/1955	Ernset	D7/379
D182,424	S	*	4/1958	Madl	D7/379
D309,081	S	*	7/1990	Thomas	D7/376
D329,165	S	*	9/1992	Doggett	D7/376
D329,166	S	*	9/1992	Doggett	D7/376
D337,667	S	*	7/1993	Lovett	D7/376
D367,400	S	*	2/1996	Viemeister	D7/379
D387,244	S	*	12/1997	Ivy	D7/379
D400,049	S	*	10/1998	Wanat	D7/379
D540,115	S	*	4/2007	Picozza	D7/379
D593,360	S	*	6/2009	Lee	D7/379
D665,223	S	*	8/2012	Haley	D7/376
D665,224	S	*	8/2012	Benoit	D7/376

(72) Inventors: **Alexander T. F. Lee**, New York, NY
(US); **Davin Stowell**, New York, NY
(US); **Joern Vicari**, Brooklyn, NY (US)

(73) Assignee: **HELEN OF TROY LIMITED**, St.
Michael (BB)

(**) Term: **14 Years**

* cited by examiner

(21) Appl. No.: **29/518,293**

Primary Examiner — Ricky Pham

(22) Filed: **Feb. 22, 2015**

(51) **LOC (10) Cl.** **31-00**

(57) **CLAIM**

(52) **U.S. Cl.**
USPC **D7/379; D7/376**

The ornamental design for an electric mixer, as shown, and described.

(58) **Field of Classification Search**

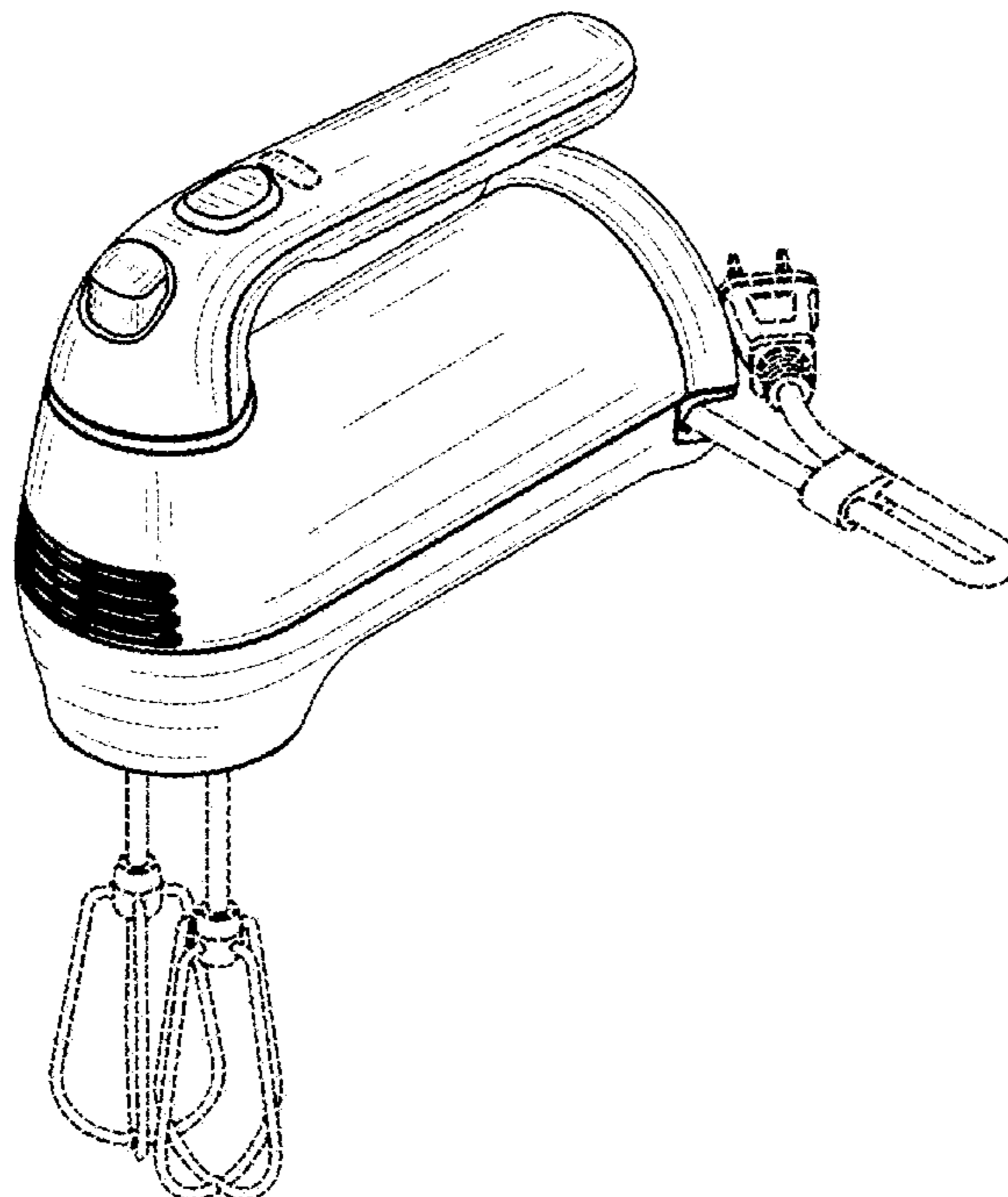
DESCRIPTION

USPC D7/372, 376–386, 412–413, 602, 629,
D7/665–666, 669, 679, 693–694
CPC A21C 1/02; A21C 1/04; A23N 1/00;
A23N 1/02; A47J 43/04; A47J 43/25; A47J
43/27; A47J 43/042; A47J 43/044; A47J
43/046; A47J 43/075; A47J 43/0722; A47J
43/0727; B01F 3/00; B01F 3/0807; B01F
3/0853; B01F 13/0059; B01F 13/0064;
B02C 1/08; B02C 2/04; B02C 4/42; B02C
4/142; B02C 4/143; B02C 4/423; B02C
13/1835; B28C 5/10; B28C 5/12; B28C 5/14;
B28C 5/16

FIG. 1 is a perspective view of the electric mixer;
FIG. 2 is a right side view of the electric mixer;
FIG. 3 is a left side view of the electric mixer;
FIG. 4 is a front view of the electric mixer;
FIG. 5 is a rear view of the electric mixer;
FIG. 6 is a top view of the electric mixer; and,
FIG. 7 is a bottom view of the electric mixer.
The broken lines are for illustrative purposes only and form
no part of the claimed design.

See application file for complete search history.

1 Claim, 7 Drawing Sheets



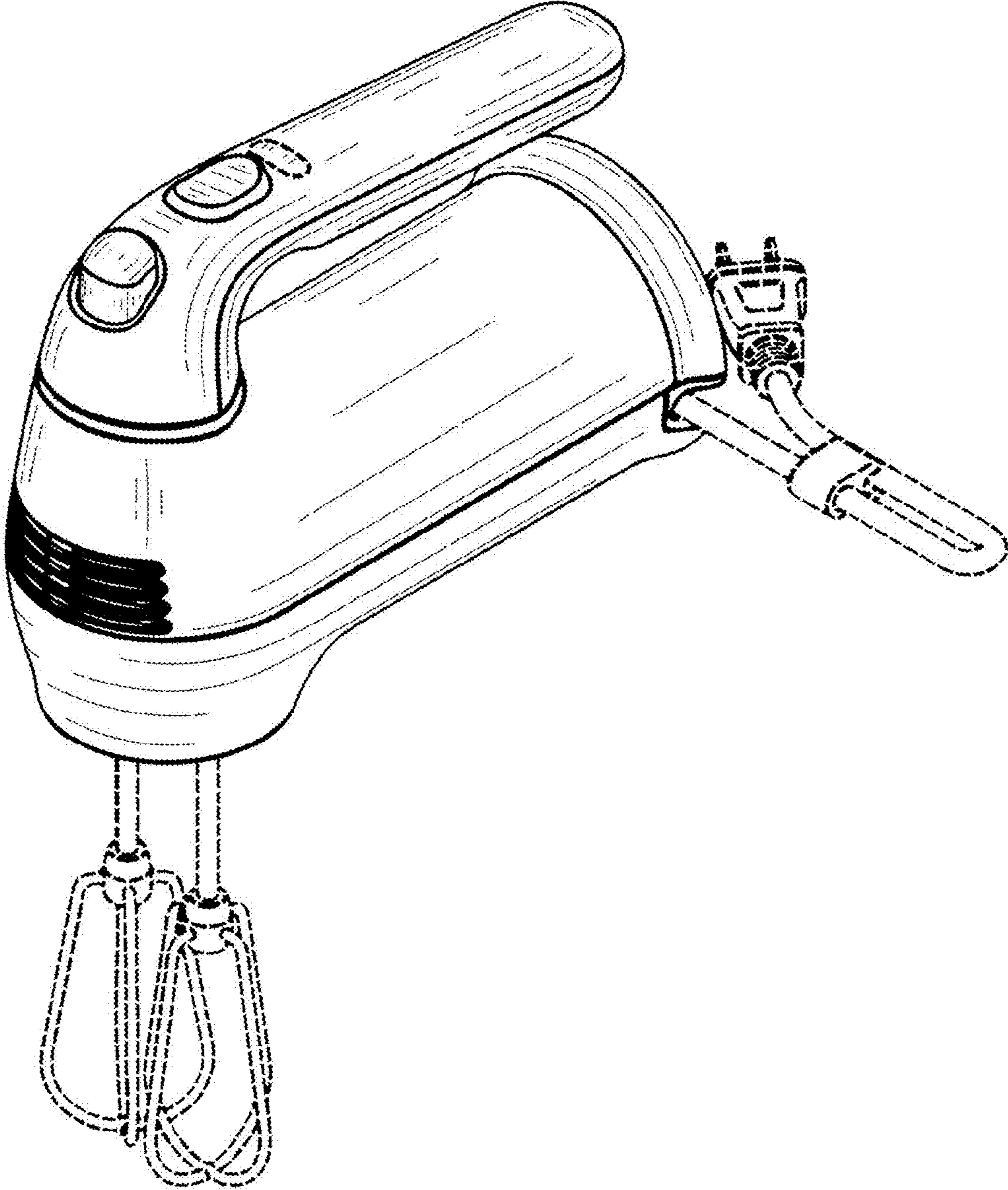


Figure 1

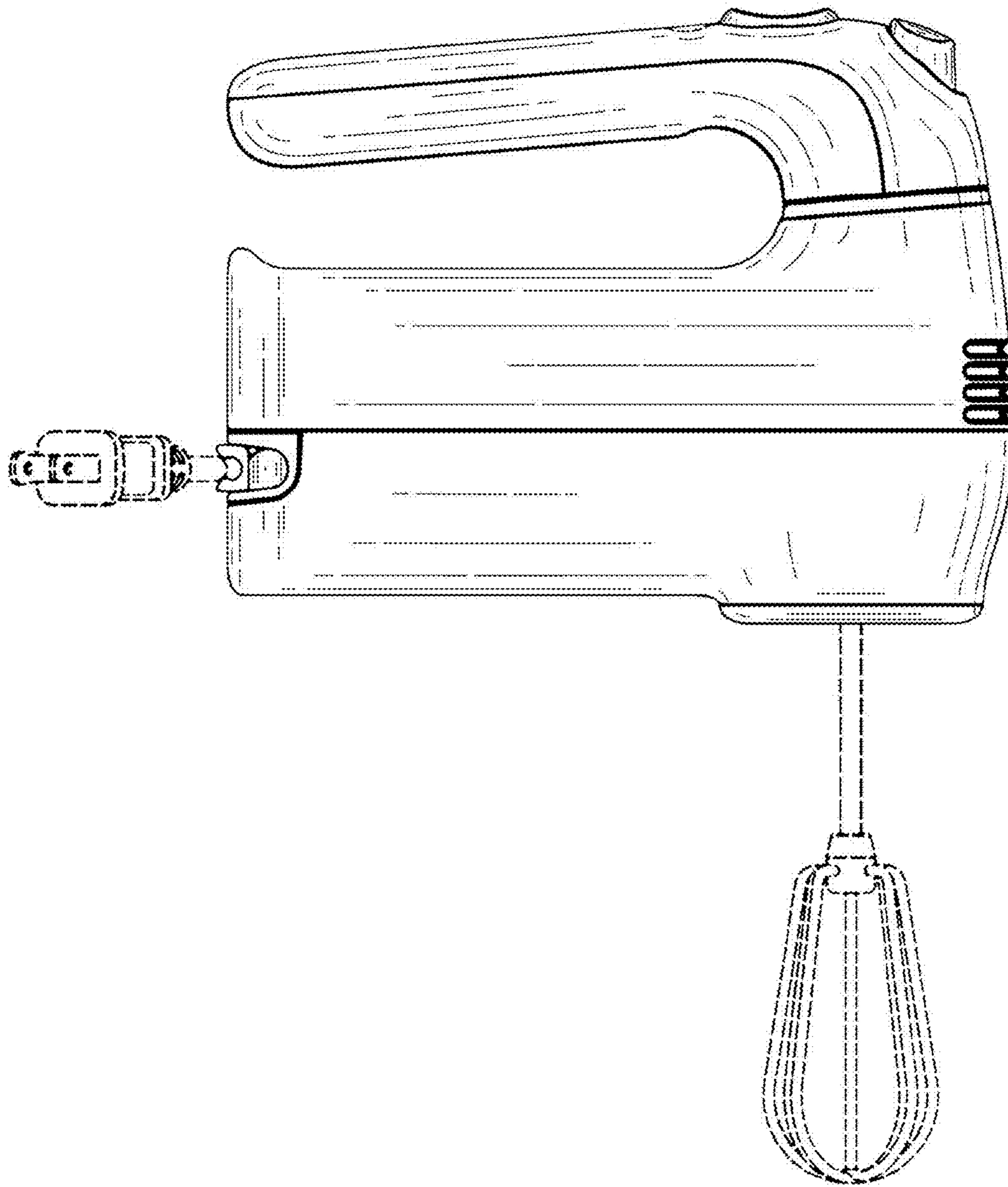


Figure 2

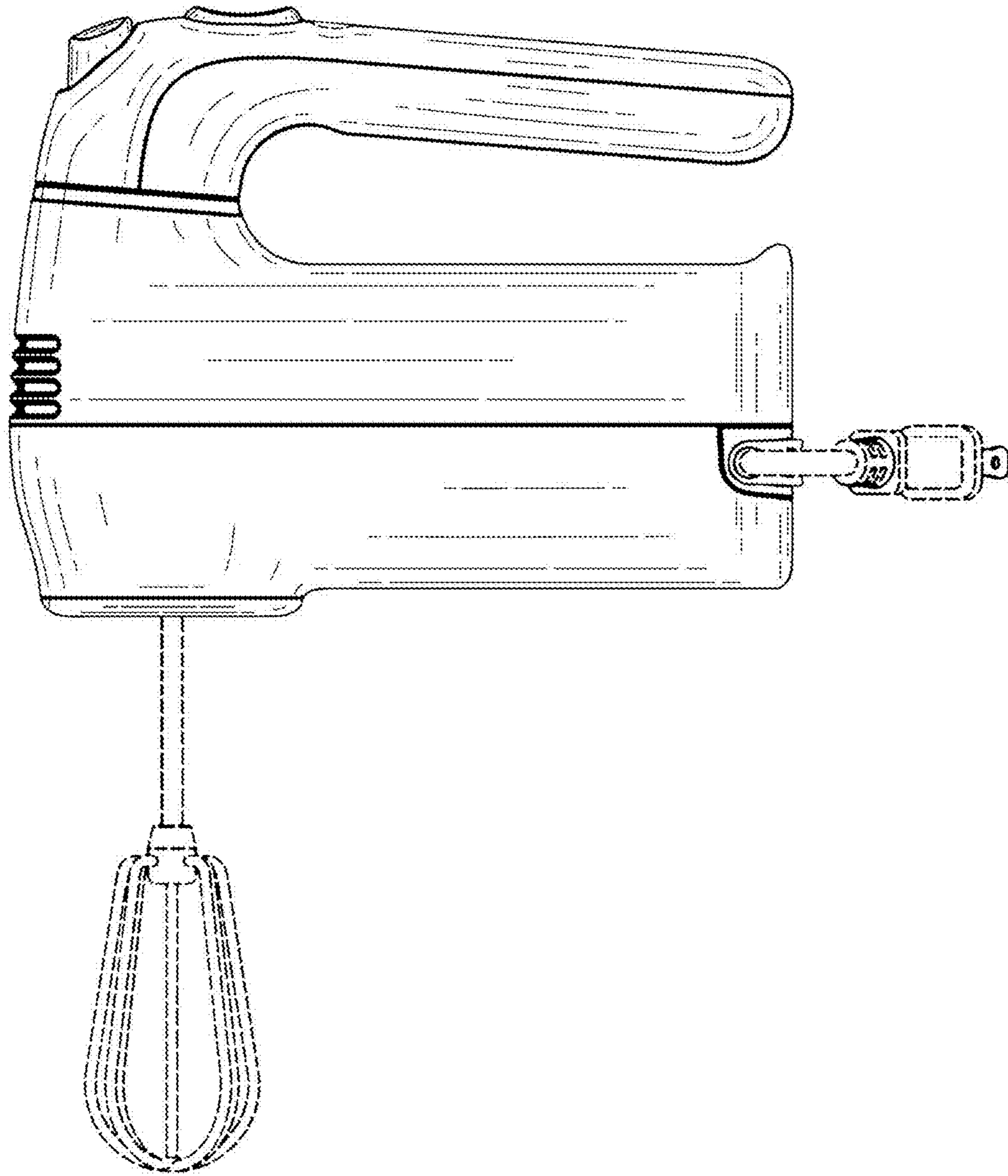


Figure 3

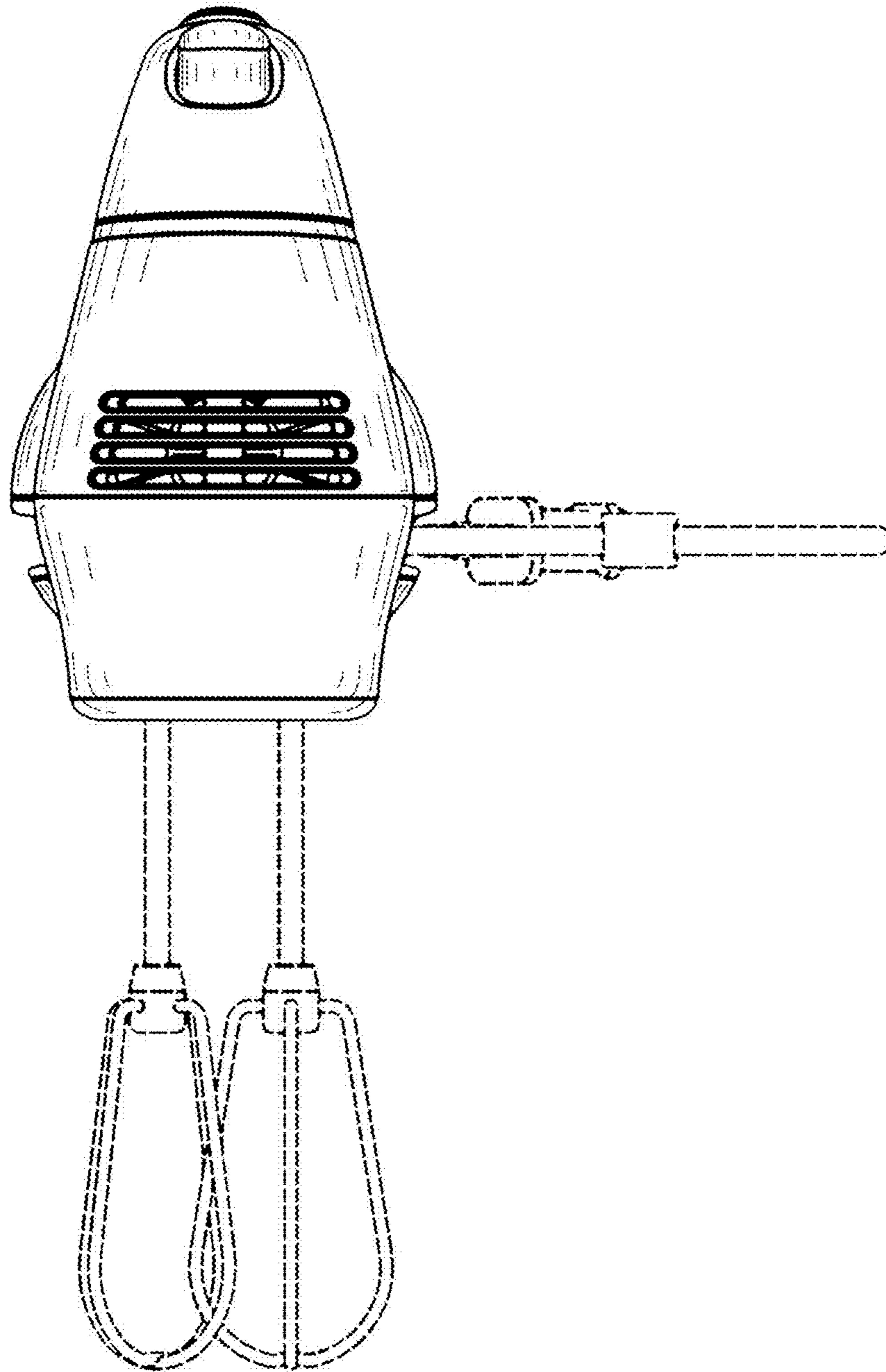


Figure 4

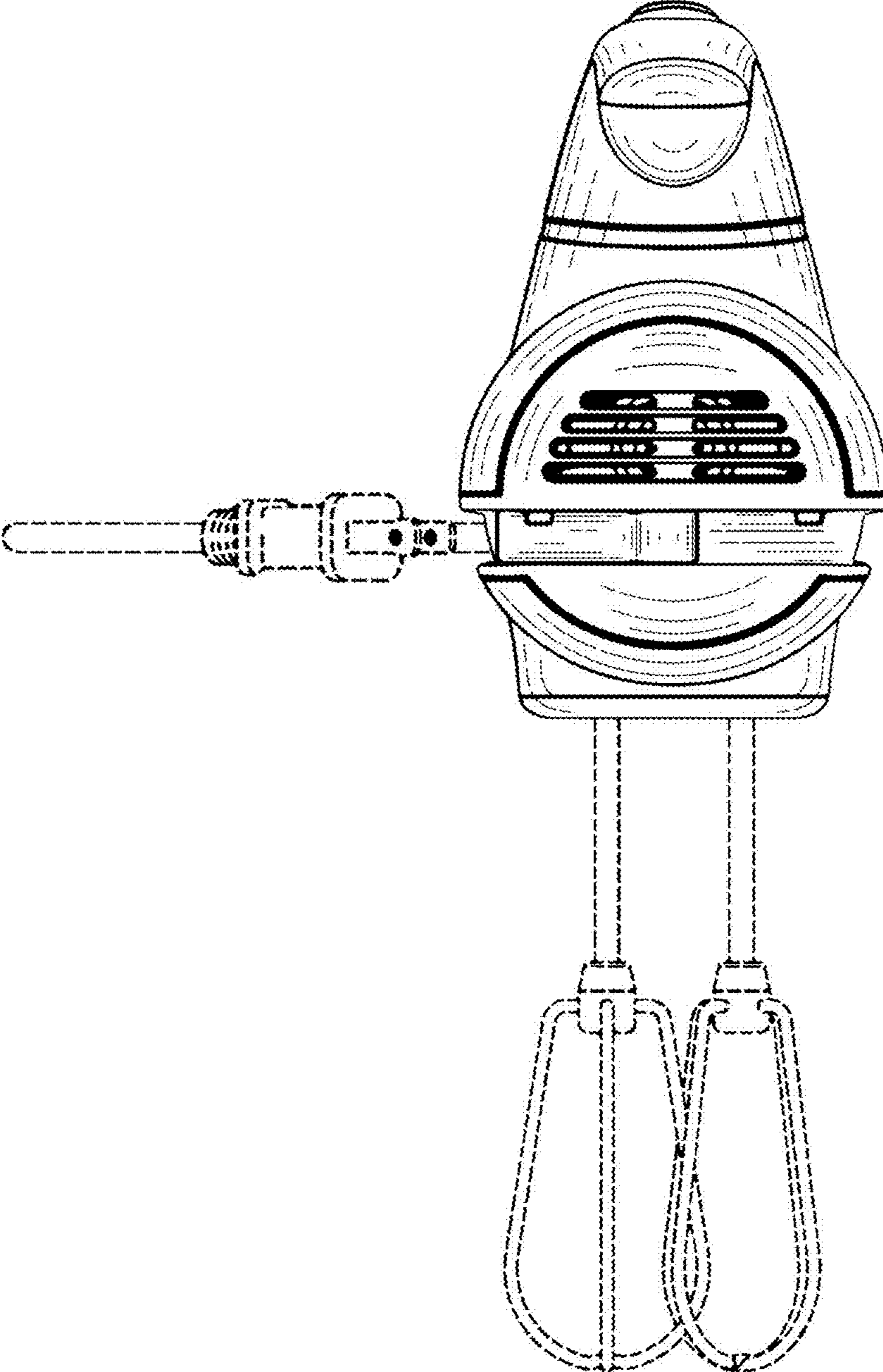


Figure 5

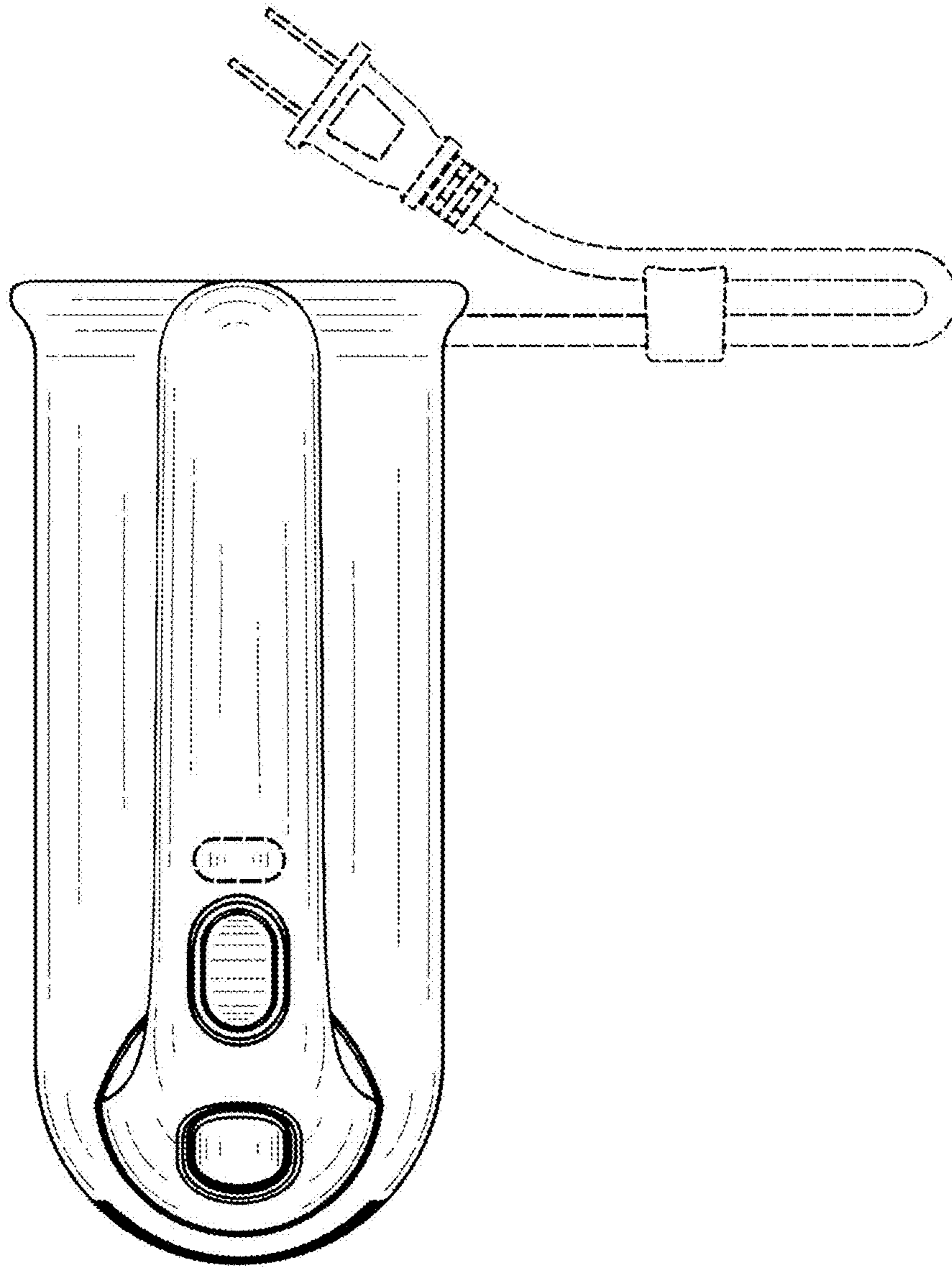


Figure 6

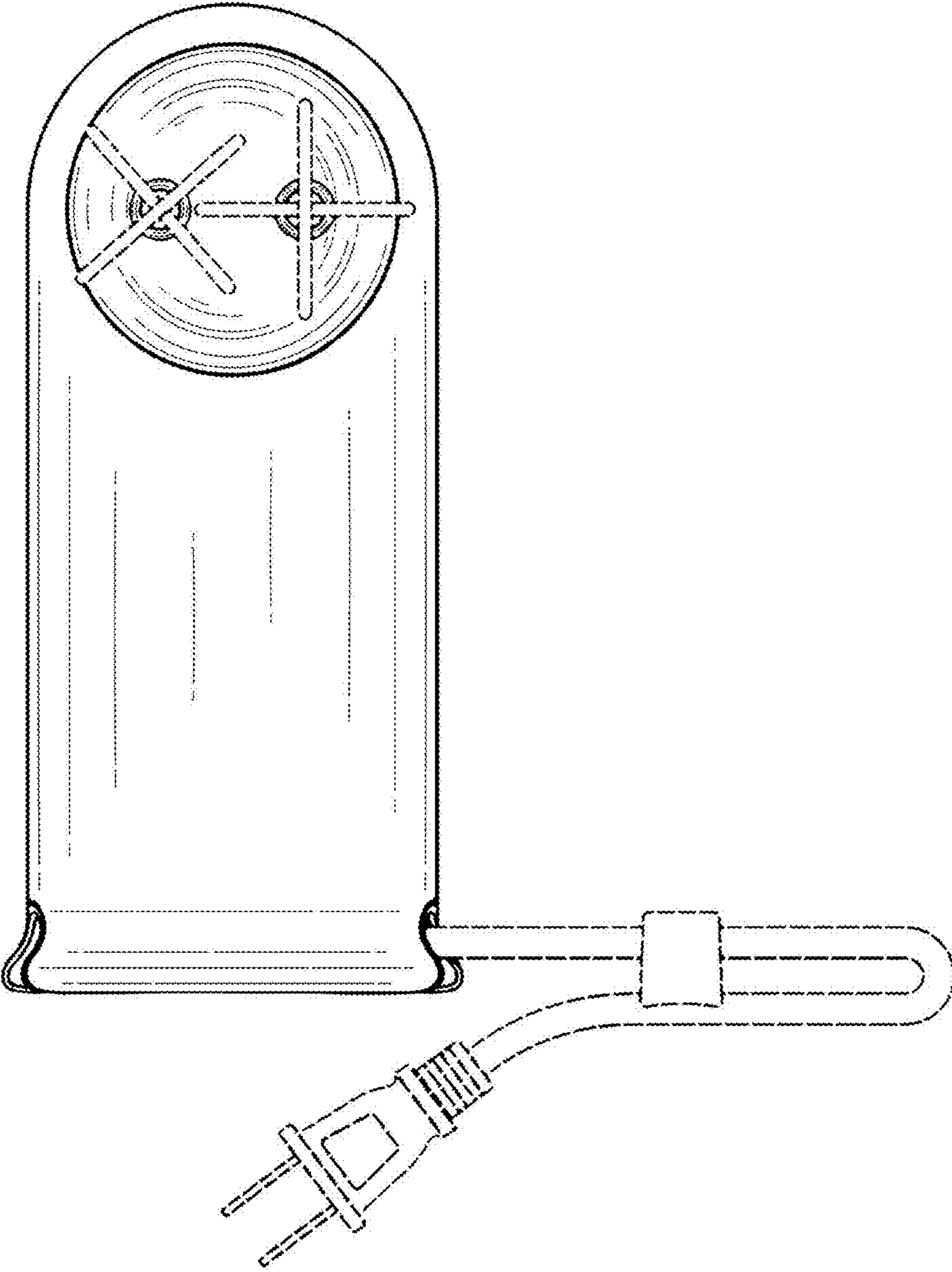


Figure 7