



US00D756164S

(12) **United States Design Patent**
Kim et al.

(10) **Patent No.:** **US D756,164 S**
(45) **Date of Patent:** **** May 17, 2016**

(54) **ELECTRONIC DEVICE FOR FOOD
FERMENTATION**

(71) Applicant: **NUC Electronics Co., Ltd.**, Daegu (KR)

(72) Inventors: **Jong Boo Kim**, Daegu (KR); **In Young Kim**, Daegu (KR)

(73) Assignee: **NUC Electronics Co., Ltd.**, Daegu (KR)

(**) Term: **14 Years**

(21) Appl. No.: **29/507,997**

(22) Filed: **Oct. 31, 2014**

(30) **Foreign Application Priority Data**

Jun. 2, 2014 (KR) 30-2014-0027177

(51) **LOC (10) Cl.** **31-00**

(52) **U.S. Cl.**
USPC **D7/368**

(58) **Field of Classification Search**
USPC D7/368, 323, 327, 354, 355
CPC A23L 1/218; F25D 23/12; F25D 31/005;
A23B 7/0425; A23B 7/10; C12C 9/00;
C12C 11/00

See application file for complete search history.

(56) **References Cited**

U.S. PATENT DOCUMENTS

4,716,824 A *	1/1988	Hand	A23B 4/26 134/135
6,253,668 B1 *	7/2001	Lee	A23B 7/04 165/206
2006/0228444 A1 *	10/2006	Hahm	A23L 1/218 426/7
2007/0017388 A1 *	1/2007	Lee	A23B 7/0425 99/467

* cited by examiner

Primary Examiner — Terry Wallace

(74) *Attorney, Agent, or Firm* — Seed IP Law Group PLLC

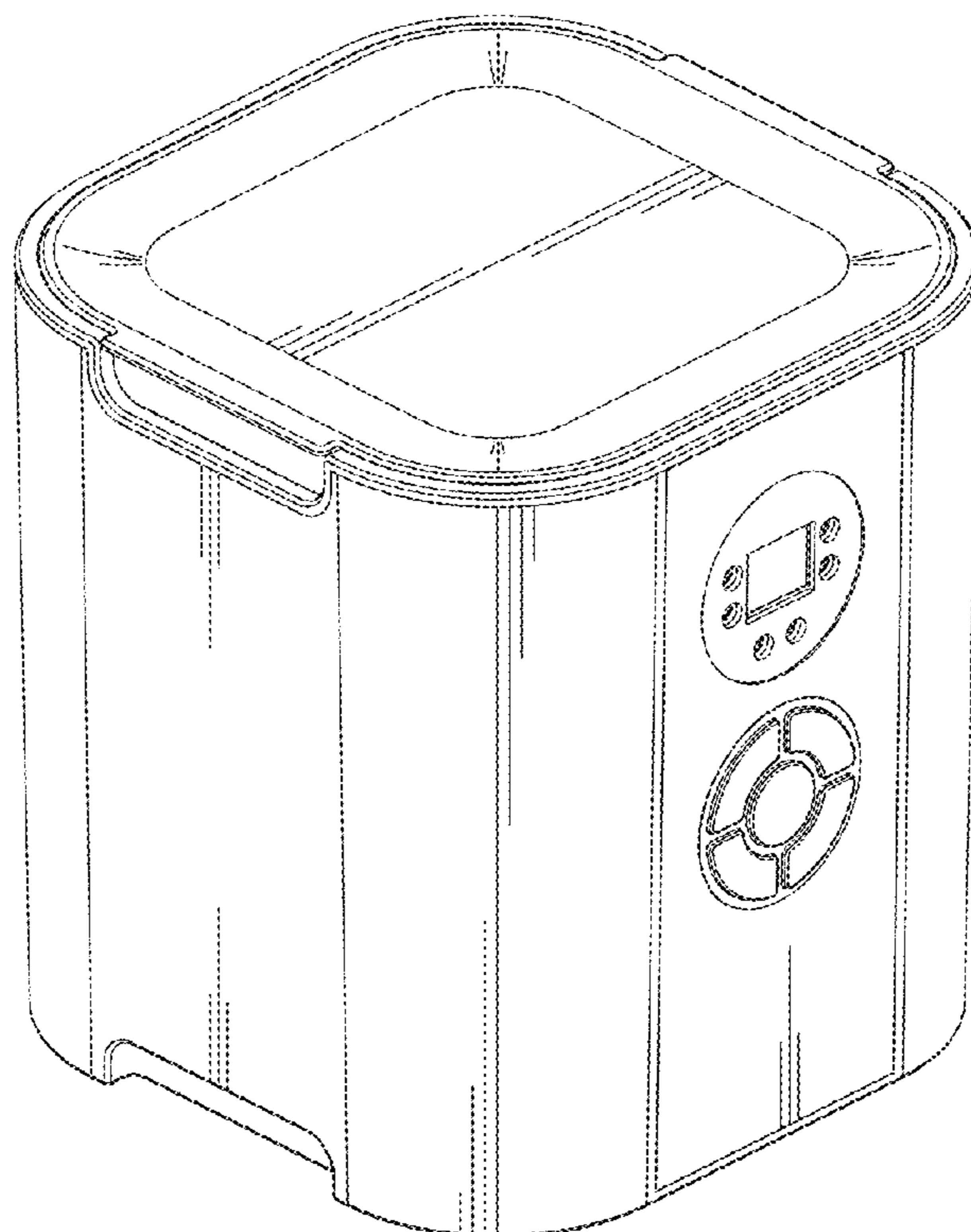
(57) **CLAIM**

The ornamental design for an electronic device for food fermentation, as shown and described.

DESCRIPTION

FIG. 1 is an isometric view of an electronic device for food fermentation showing our new design; FIG. 2 is a front view thereof; FIG. 3 is a rear view thereof; FIG. 4 is a left side view thereof; FIG. 5 is a right side view thereof; FIG. 6 is a top plan view thereof; and, FIG. 7 is a bottom plan view thereof.

1 Claim, 7 Drawing Sheets



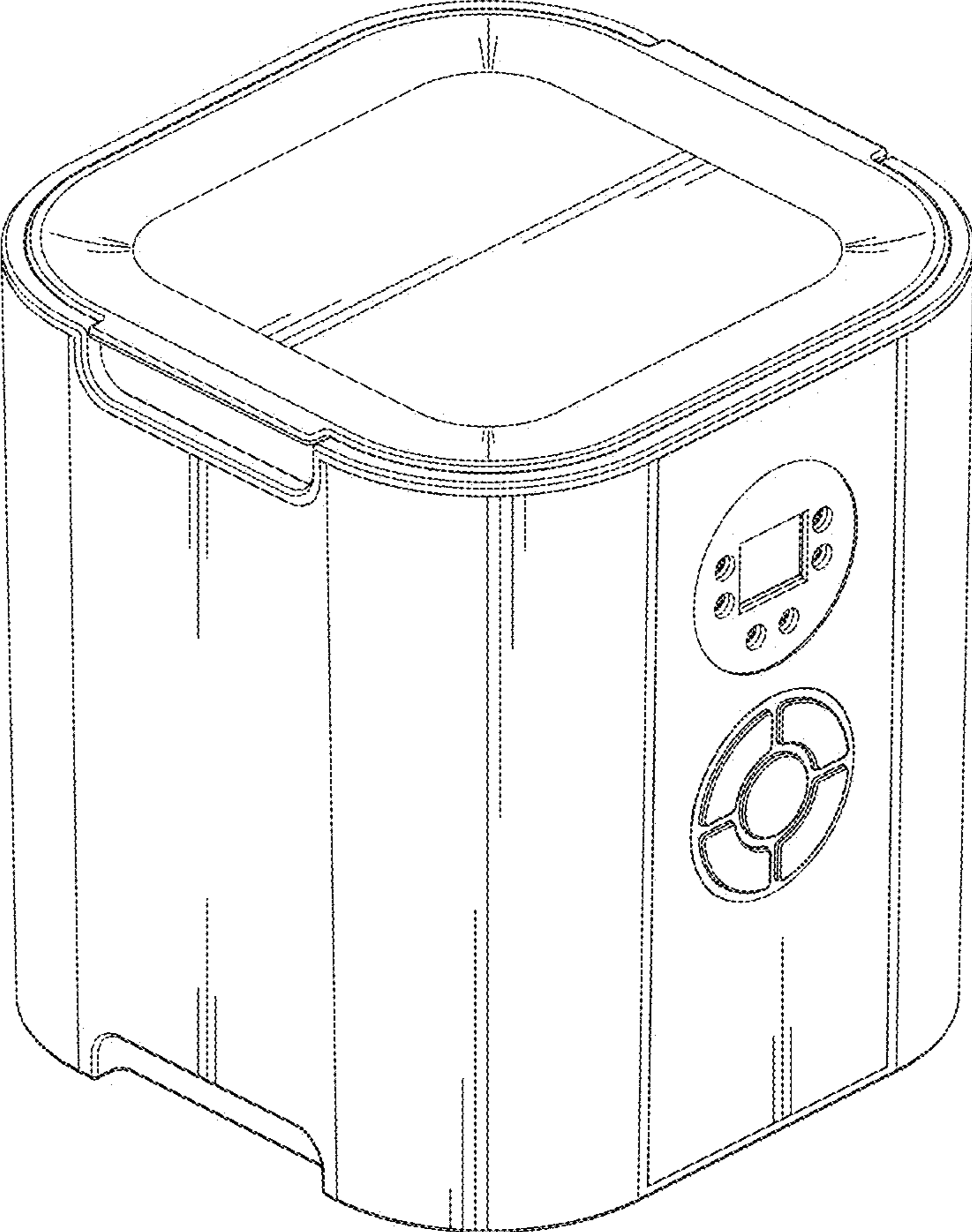


FIG. 1

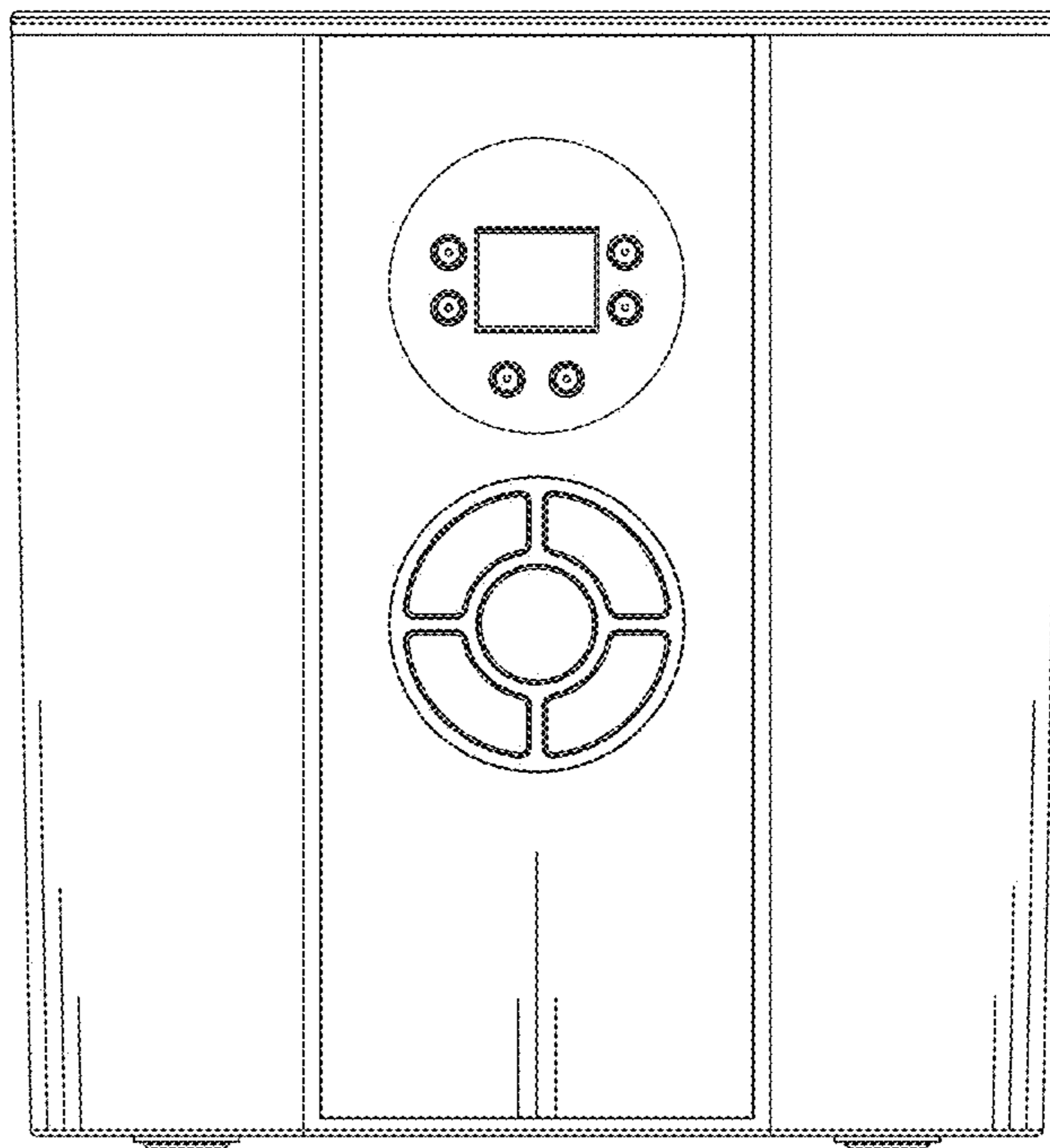


FIG. 2

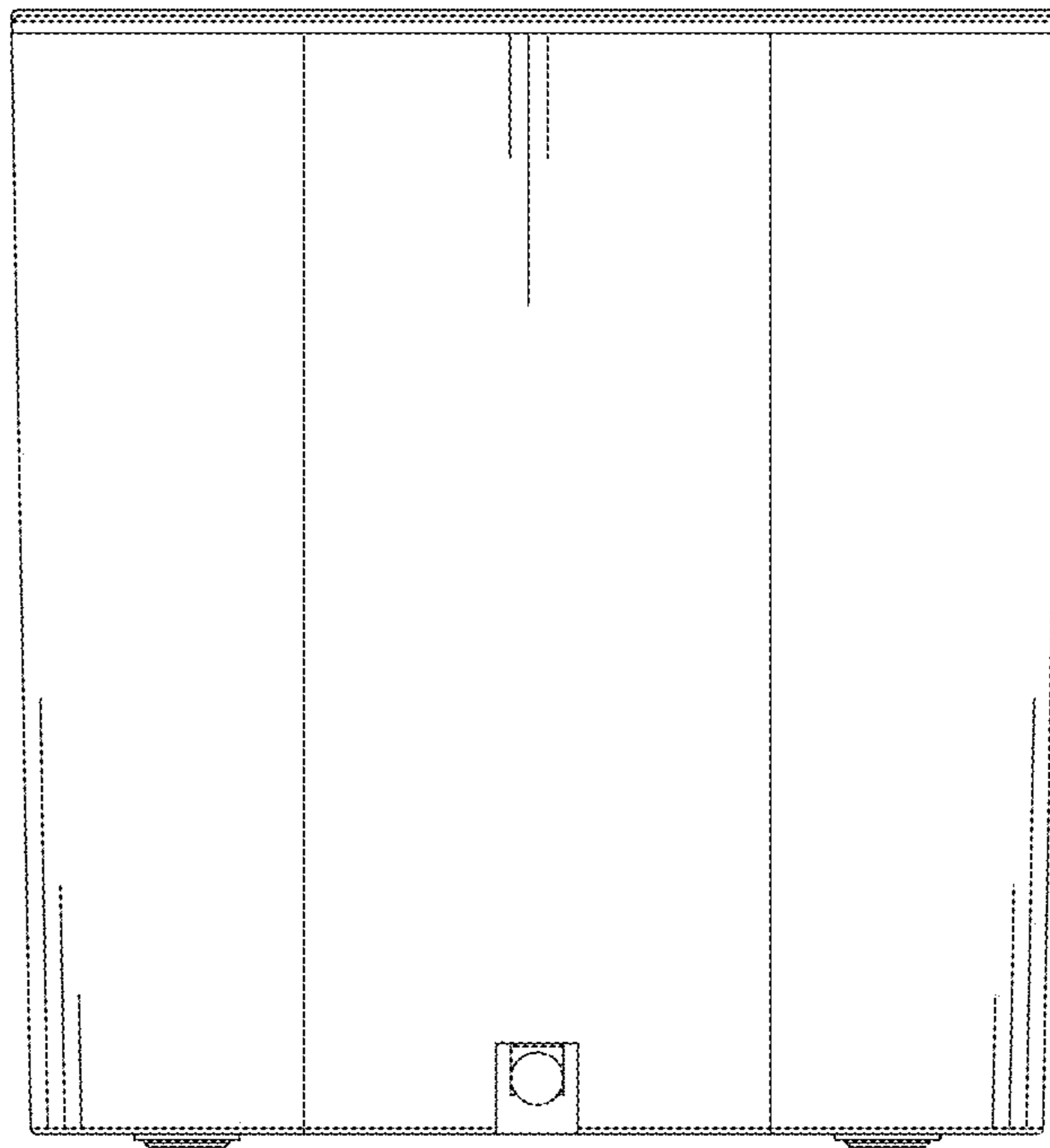


FIG. 3

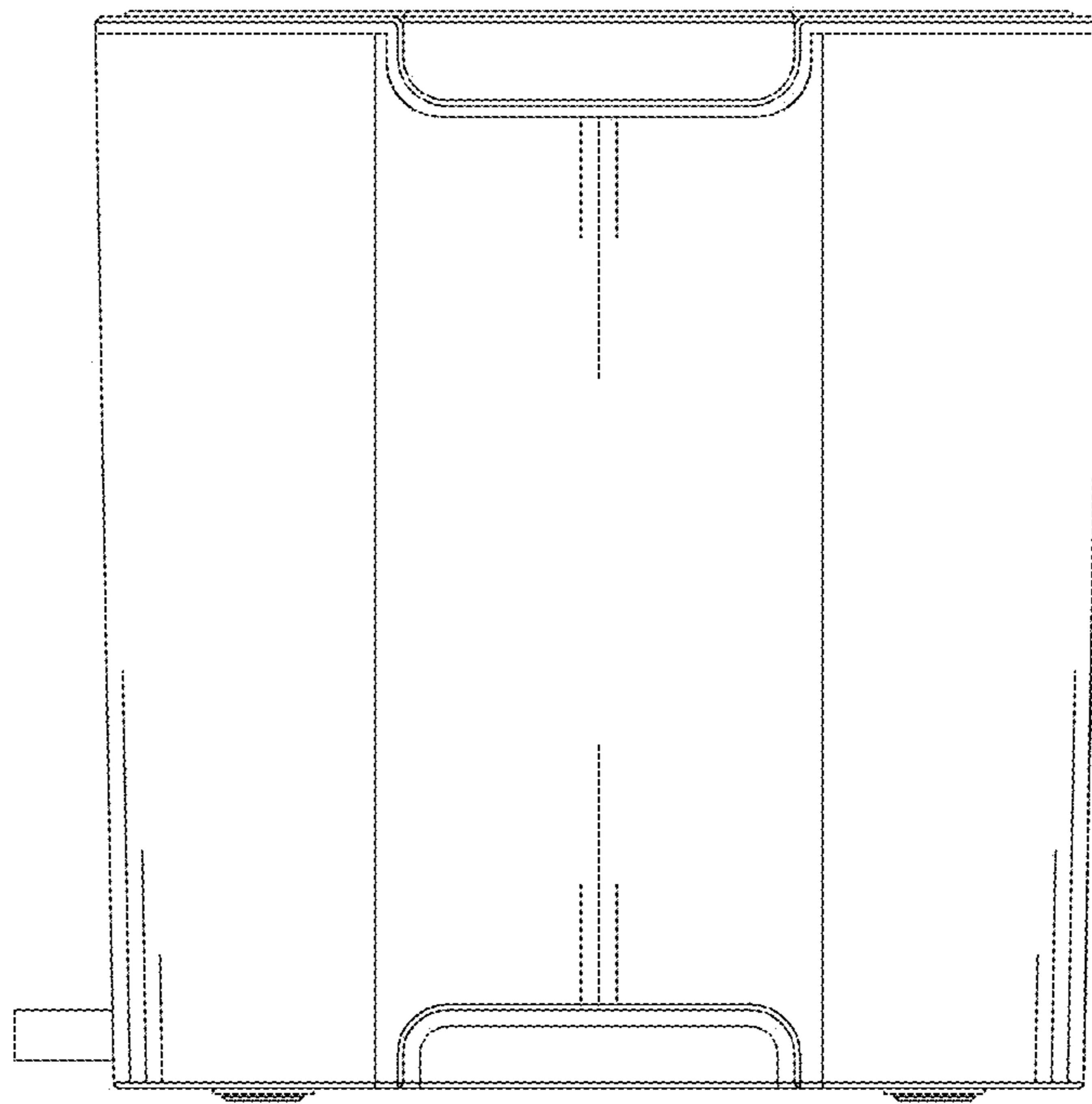


FIG. 4

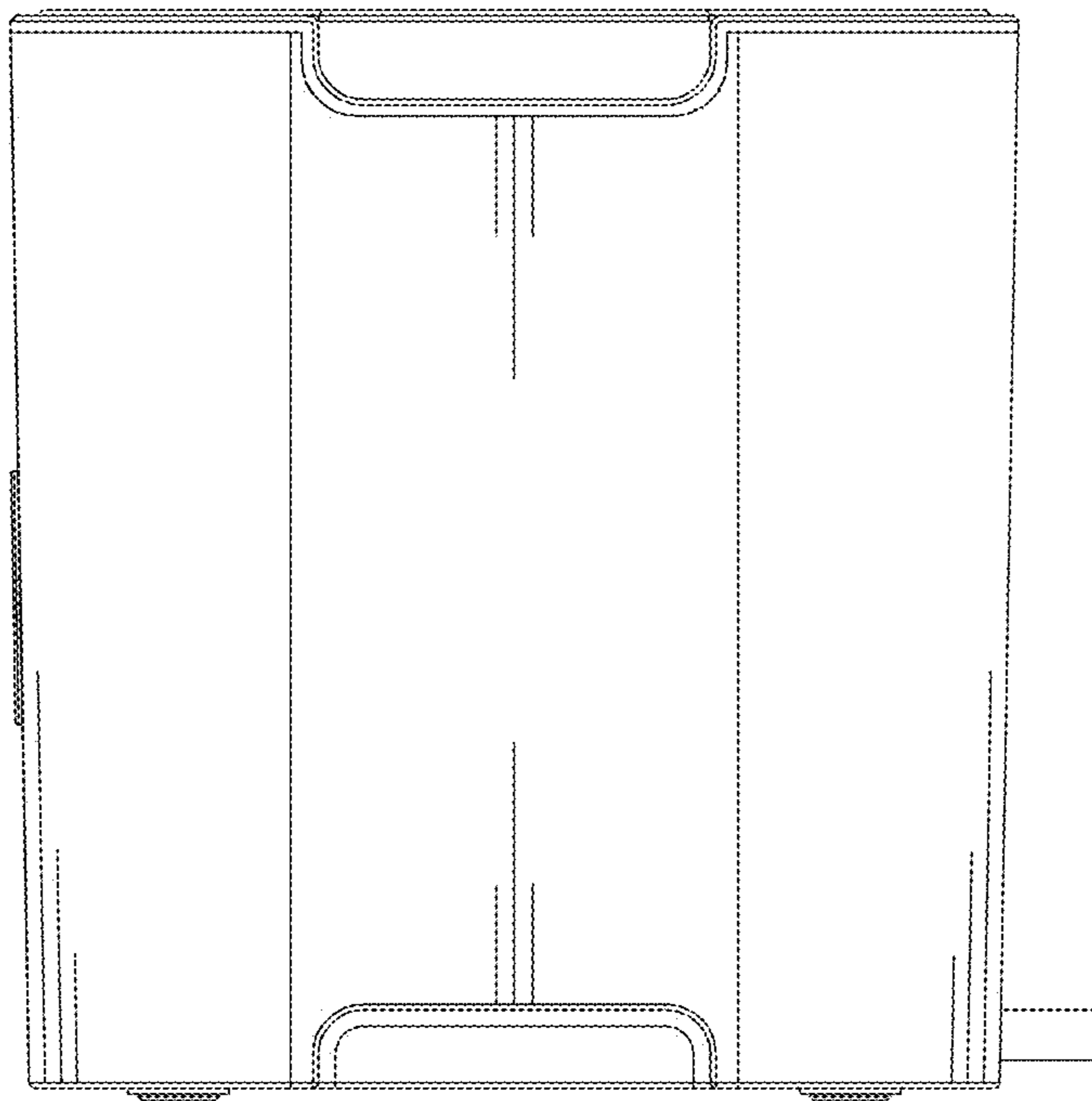


FIG. 5

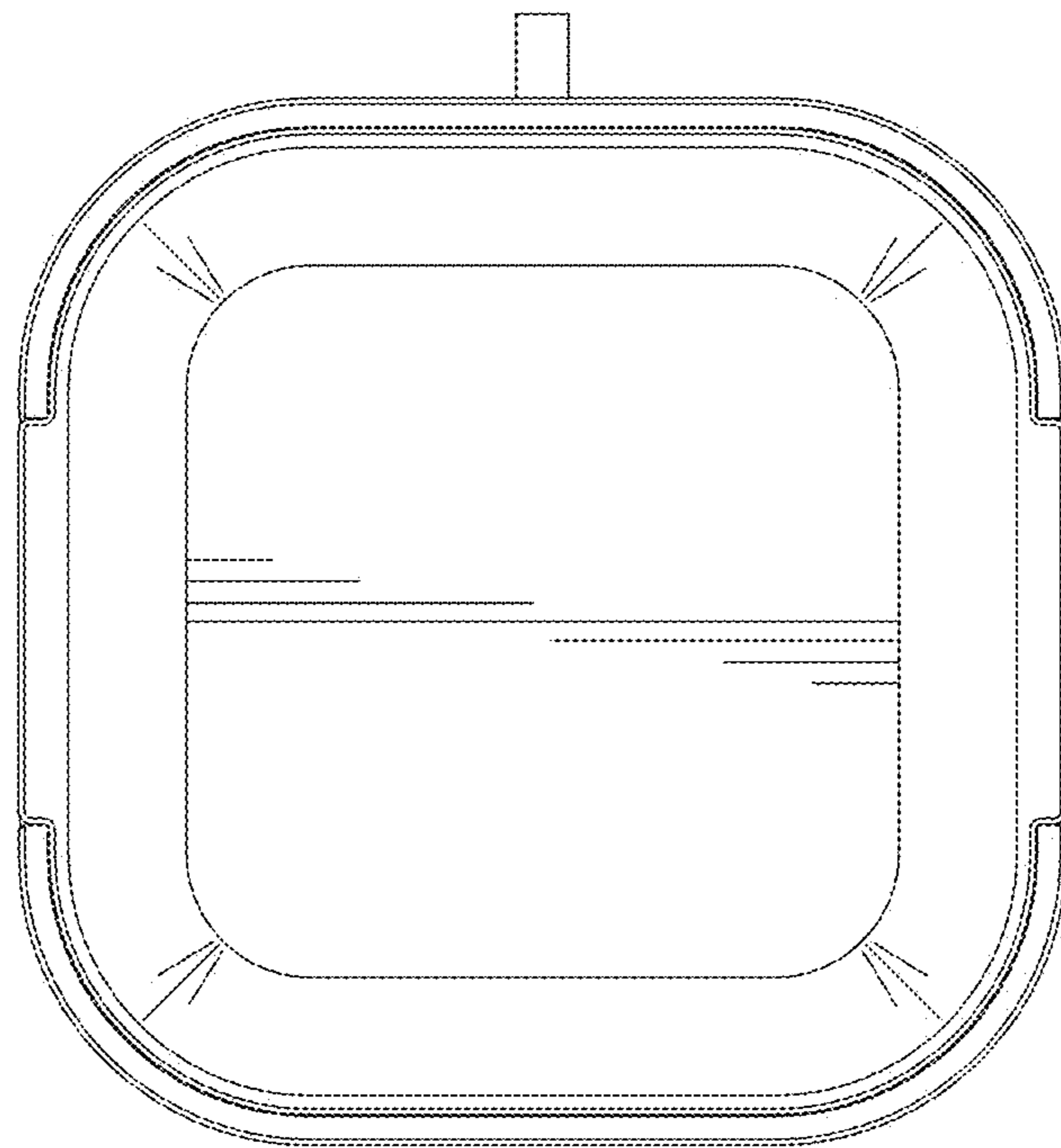


FIG. 6

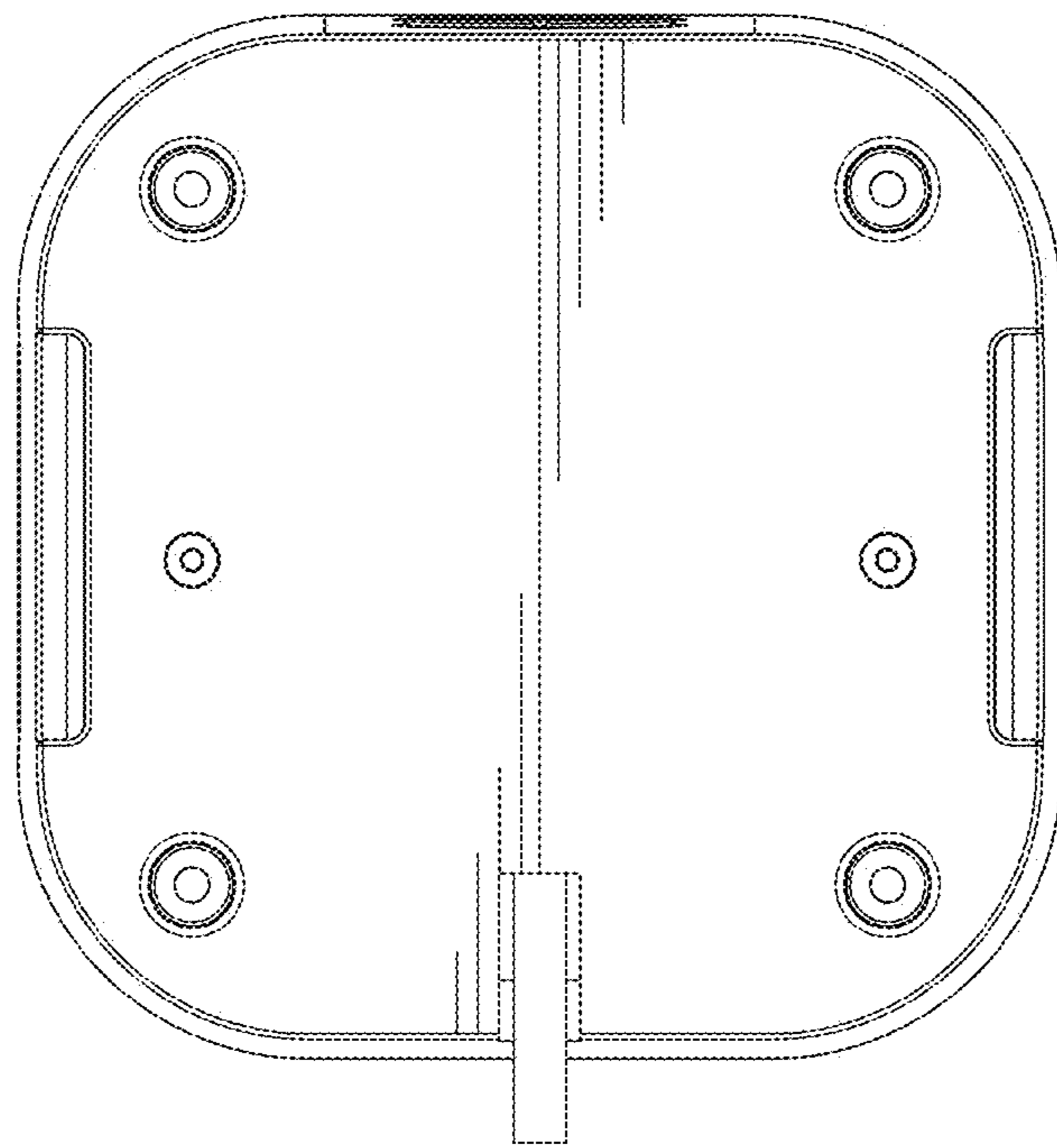


FIG. 7