



US00D756162S

(12) **United States Design Patent**  
**Gabbay**

(10) **Patent No.:** **US D756,162 S**

(45) **Date of Patent:** **\*\* May 17, 2016**

(54) **PIONEER WOMAN BUTTERFLY DUTCH OVEN**

(71) Applicant: **Soleiman Gabbay**, Commerce, CA (US)

(72) Inventor: **Soleiman Gabbay**, Commerce, CA (US)

(73) Assignee: **GIBSON OVERSEAS INC**,  
Commerce, CA (US)

(\*\*) Term: **14 Years**

(21) Appl. No.: **29/519,016**

(22) Filed: **Mar. 2, 2015**

(51) **LOC (10) Cl.** ..... **07-02**

(52) **U.S. Cl.**  
USPC ..... **D7/360; D7/354**

(58) **Field of Classification Search**  
USPC ..... D7/323, 354-363, 391, 393-396,  
D7/542-545

CPC ..... A47G 19/12; A47J 27/00; A47J 27/002;  
A47J 27/08; A47J 27/21; A47J 27/58; A47J  
36/025; A47J 36/06; A47J 36/12; A47J 37/00;  
A47J 37/10; A47J 37/101; A47J 37/103;  
A47J 37/12; A47J 37/1204; A47J 45/061;  
A47J 45/071; A47J 45/08; H05B 6/12

See application file for complete search history.

(56) **References Cited**

U.S. PATENT DOCUMENTS

D212,704 S *	11/1968	Benes .....	D7/360
D218,346 S *	8/1970	Aubecq .....	D7/360
D295,819 S *	5/1988	Mercadante .....	D7/360
D477,970 S *	8/2003	Thonis .....	D7/538
D523,694 S *	6/2006	Czebiniak .....	D7/538
D557,062 S *	12/2007	Henry .....	D7/360
D557,972 S *	12/2007	Ablo .....	D7/354
D572,523 S *	7/2008	Baker .....	D7/360
D577,549 S *	9/2008	Plante .....	D7/538
D589,295 S *	3/2009	Rohrer .....	D7/360
D667,273 S *	9/2012	Henry .....	D7/542
D683,179 S *	5/2013	Coursey .....	D7/354
D734,976 S *	7/2015	Quinn .....	D7/354

\* cited by examiner

*Primary Examiner* — Ricky Pham

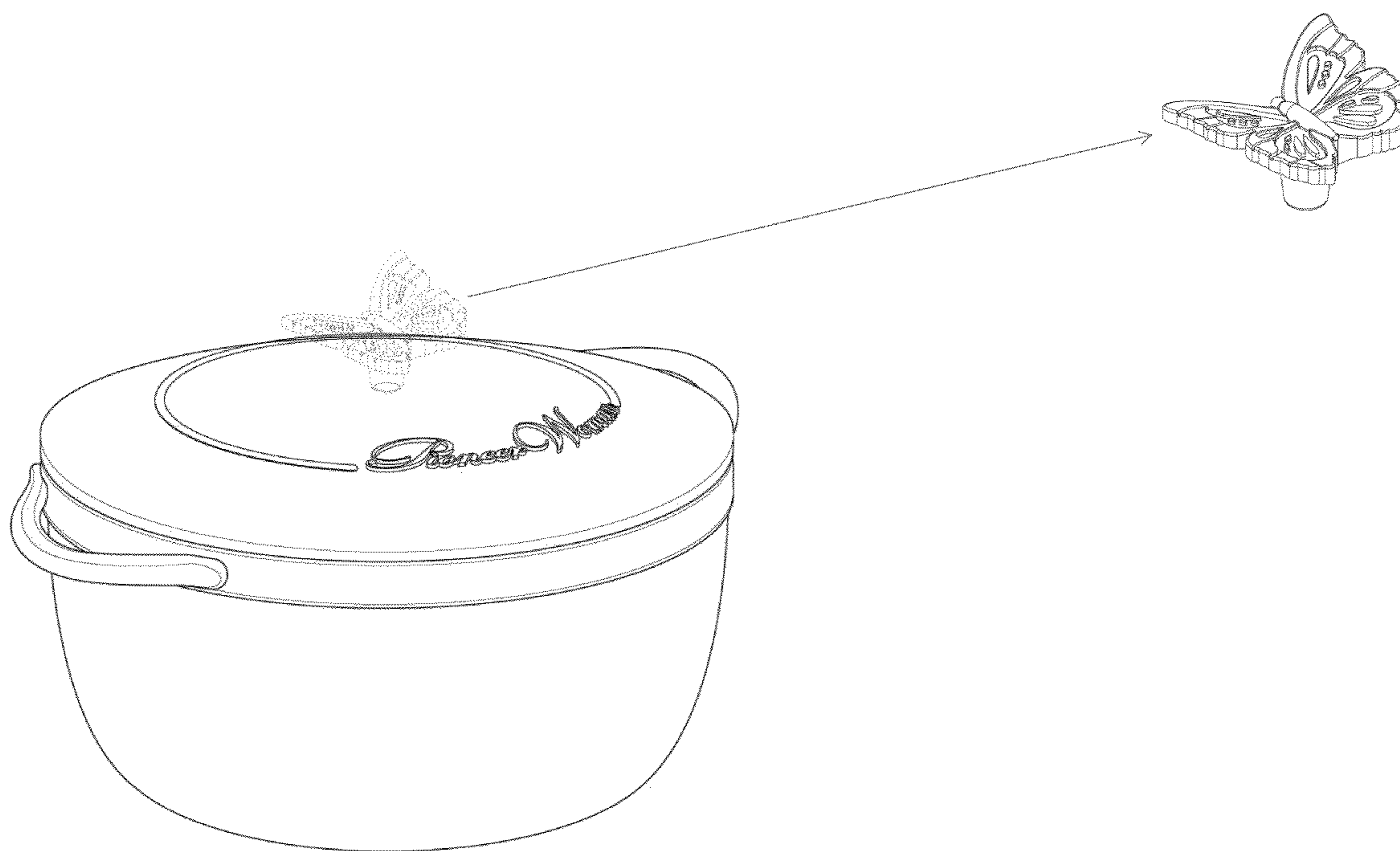
(57) **CLAIM**

The ornamental design for a pioneer woman butterfly dutch oven, as shown and described.

**DESCRIPTION**

FIG. 1 is a perspective view of a pioneer woman butterfly dutch oven showing my new design;  
FIG. 2 is a side elevation view thereof; the opposite side view being a mirror image;  
FIG. 3 is a front elevation view thereof; the rear view being a mirror image; and,  
FIG. 4 is the bottom plan view thereof.

**1 Claim, 4 Drawing Sheets**



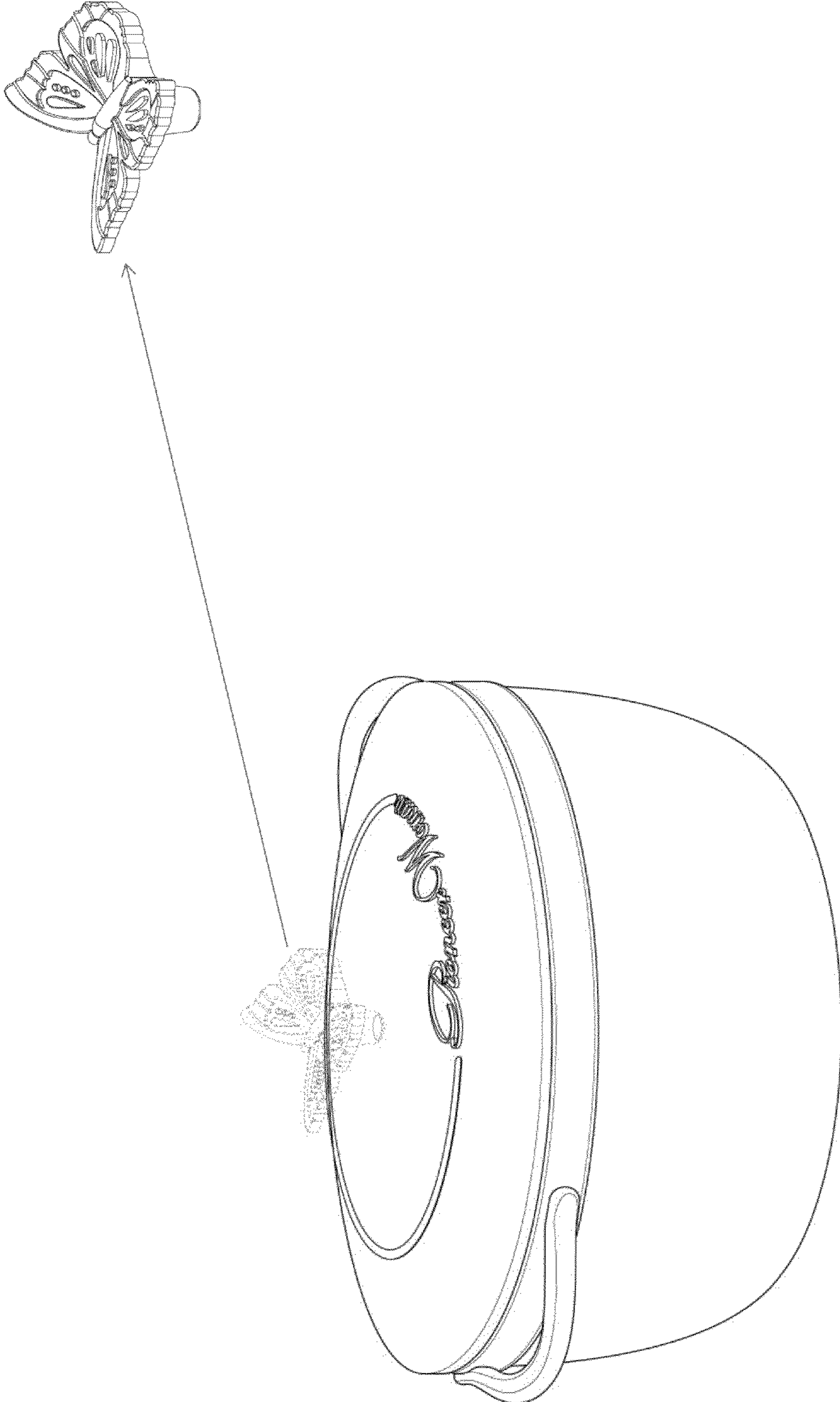


Figure 1

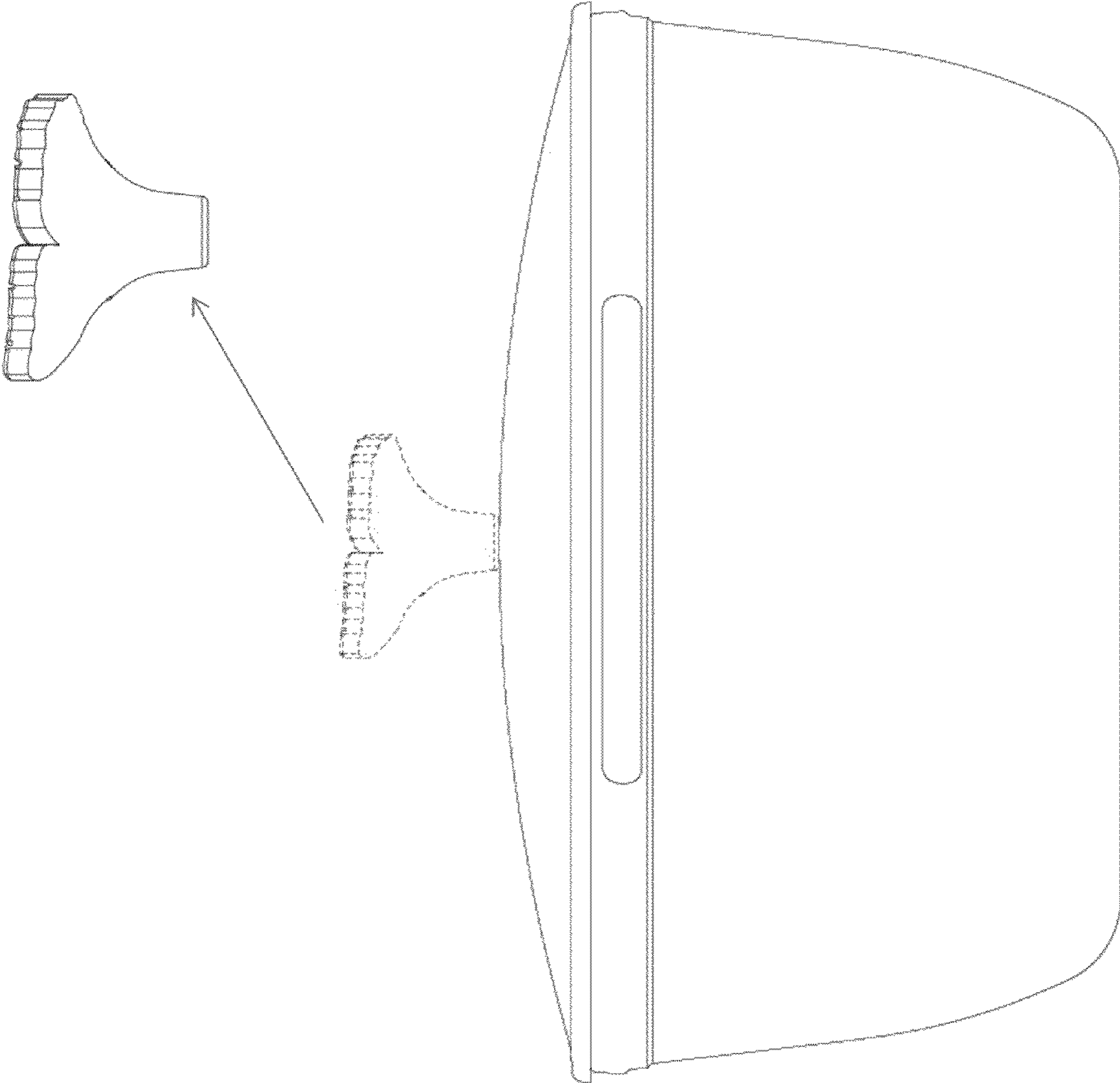


Figure 2

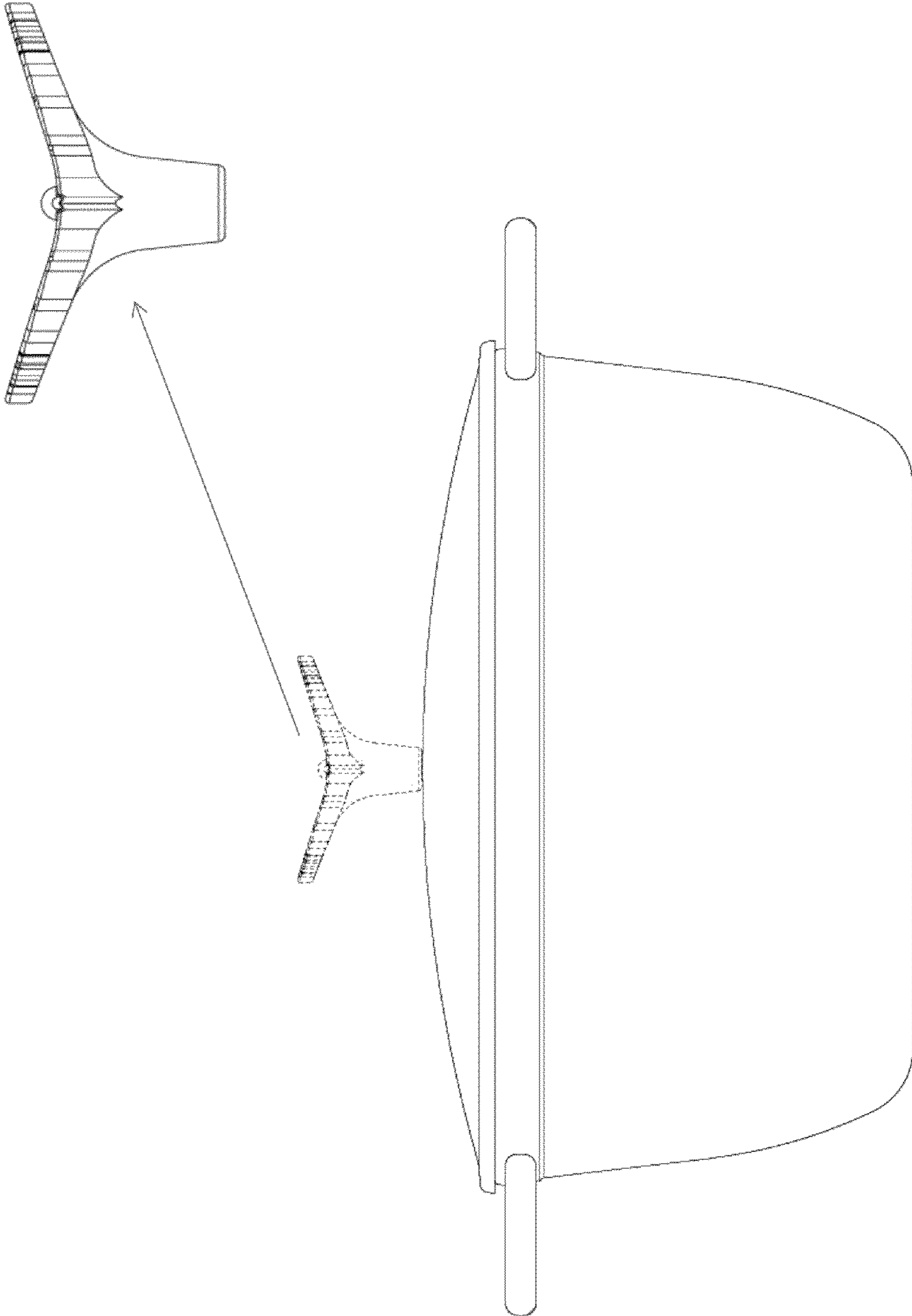


Figure 3

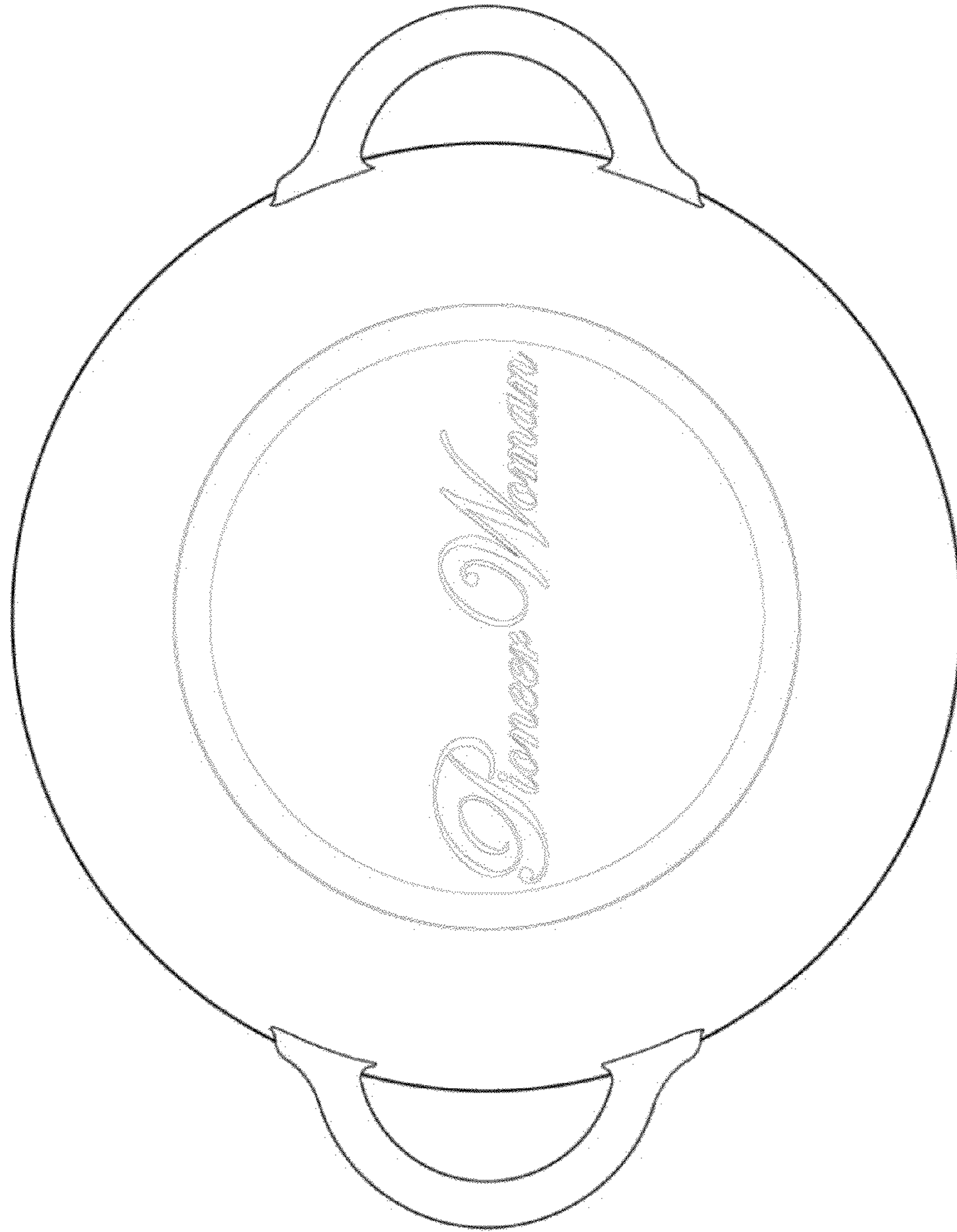


Figure 4