



US00D756161S

(12) **United States Design Patent**
Sands

(10) **Patent No.:** **US D756,161 S**
(45) **Date of Patent:** **** May 17, 2016**

- (54) **PRESSURE COOKER**
- (71) Applicant: **HOMELAND HOUSEWARES, LLC**,
Los Angeles, CA (US)
- (72) Inventor: **Lenny Sands**, Los Angeles, CA (US)
- (73) Assignee: **Capbran Holdings, LLC**, Los Angeles,
CA (US)
- (**) Term: **14 Years**
- (21) Appl. No.: **29/515,779**
- (22) Filed: **Jan. 27, 2015**
- (51) **LOC (10) Cl.** **07-02**
- (52) **U.S. Cl.**
USPC **D7/358; D7/354**
- (58) **Field of Classification Search**
USPC D7/323, 332, 337, 354-361, 378, 391,
D7/393; D21/525
CPC A47J 27/00; A47J 27/004; A47J 27/08;
A47J 27/0802; A47J 27/0804; A47J 27/0811;
A47J 27/0813; A47J 27/0815; A47J 27/0817;
A47J 27/084; A47J 27/086; A47J 27/09;
A47J 27/092; A47J 36/025; A47J 36/06;
A47J 37/12; A47J 37/1204; A47J 37/1209;
A47J 45/07; A47J 45/071; A47J 45/074;
A47J 45/08; B01D 2201/345; B01J 3/03;
B01J 3/04; F01P 2011/0247; F01P 2011/0252;
H05B 6/00; H05B 6/02; H05B 6/06
See application file for complete search history.

(56) **References Cited**
U.S. PATENT DOCUMENTS

D201,416 S *	6/1965	Sazegar	D7/337
D201,937 S *	8/1965	Johnson	D7/337
D219,693 S *	1/1971	Hahn	D7/337
D380,504 S *	7/1997	Yang	D21/525
6,070,518 A *	6/2000	Kao	A47J 27/086 219/465.1

6,135,012 A *	10/2000	Kao	A47J 27/0802 219/453.11
D487,668 S *	3/2004	Sands	D7/378
D598,700 S *	8/2009	Seymour	D7/354

(Continued)

OTHER PUBLICATIONS

Amazon.com Nutribullet product information page, last visited Nov. 17, 2014, http://www.amazon.com/gp/product/B007TIE0GQ/ref=s9_simh_gw_p79_d0_il?pf_rd_m=ATVPDKIKX0DER&pf_.

Primary Examiner — Ricky Pham
(74) *Attorney, Agent, or Firm* — Trojan Law Offices

(57) **CLAIM**
The ornamental design for a pressure cooker, as shown and described.

DESCRIPTION

FIG. 1 is a front perspective view of a pressure cooker showing my new design. The buttons and digital display of the front panel on the base of the pressure cooker are represented in broken lines.

FIG. 2 is a back perspective view of the pressure cooker shown in FIG. 1. The electrical socket at the bottom, the joint area in the back, and the air pore area right above the wave-shaped base are represented in broken lines.

FIG. 3 is a front view of the pressure cooker shown in FIG. 1.

FIG. 4 is a back view of the pressure cooker shown in FIG. 1.

FIG. 5 is a left side view of the pressure cooker shown in FIG. 1.

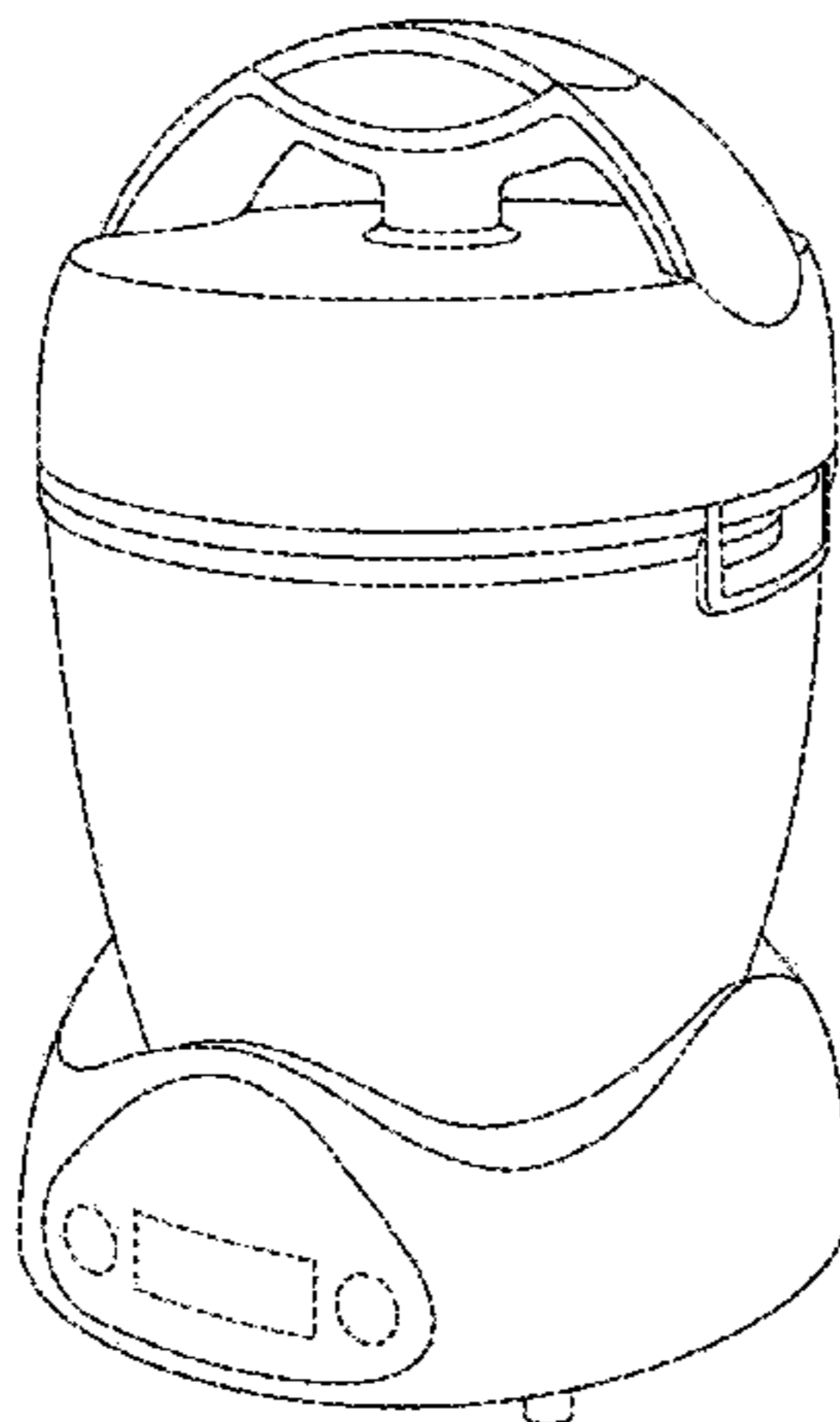
FIG. 6 is a right side view of the pressure cooker shown in FIG. 1.

FIG. 7 is a top view of the pressure cooker shown in FIG. 1; and,

FIG. 8 is a bottom view of the pressure cooker shown in FIG. 1. The bottom vents are represented in broken lines.

The broken lines are for illustrative purpose only and form no part of the claimed design.

1 Claim, 4 Drawing Sheets



US D756,161 S

Page 2

(56)

References Cited

U.S. PATENT DOCUMENTS

D611,758 S * 3/2010 Seymour D7/354
D642,416 S * 8/2011 Scott D7/332

D667,255 S * 9/2012 Reiner D7/354
D667,256 S * 9/2012 Krapfl D7/354
D743,202 S * 11/2015 Sands D7/354

* cited by examiner

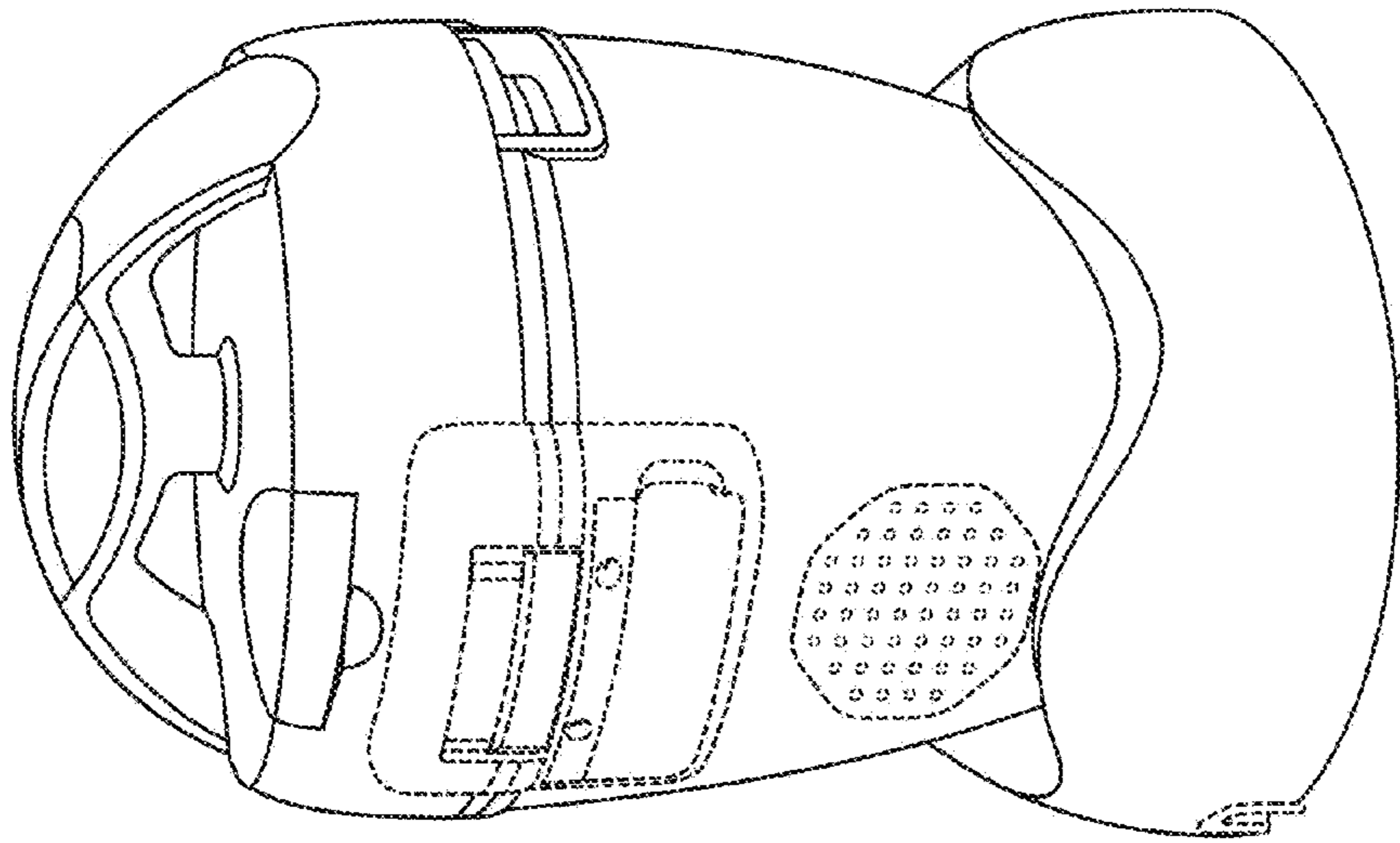


Fig. 2

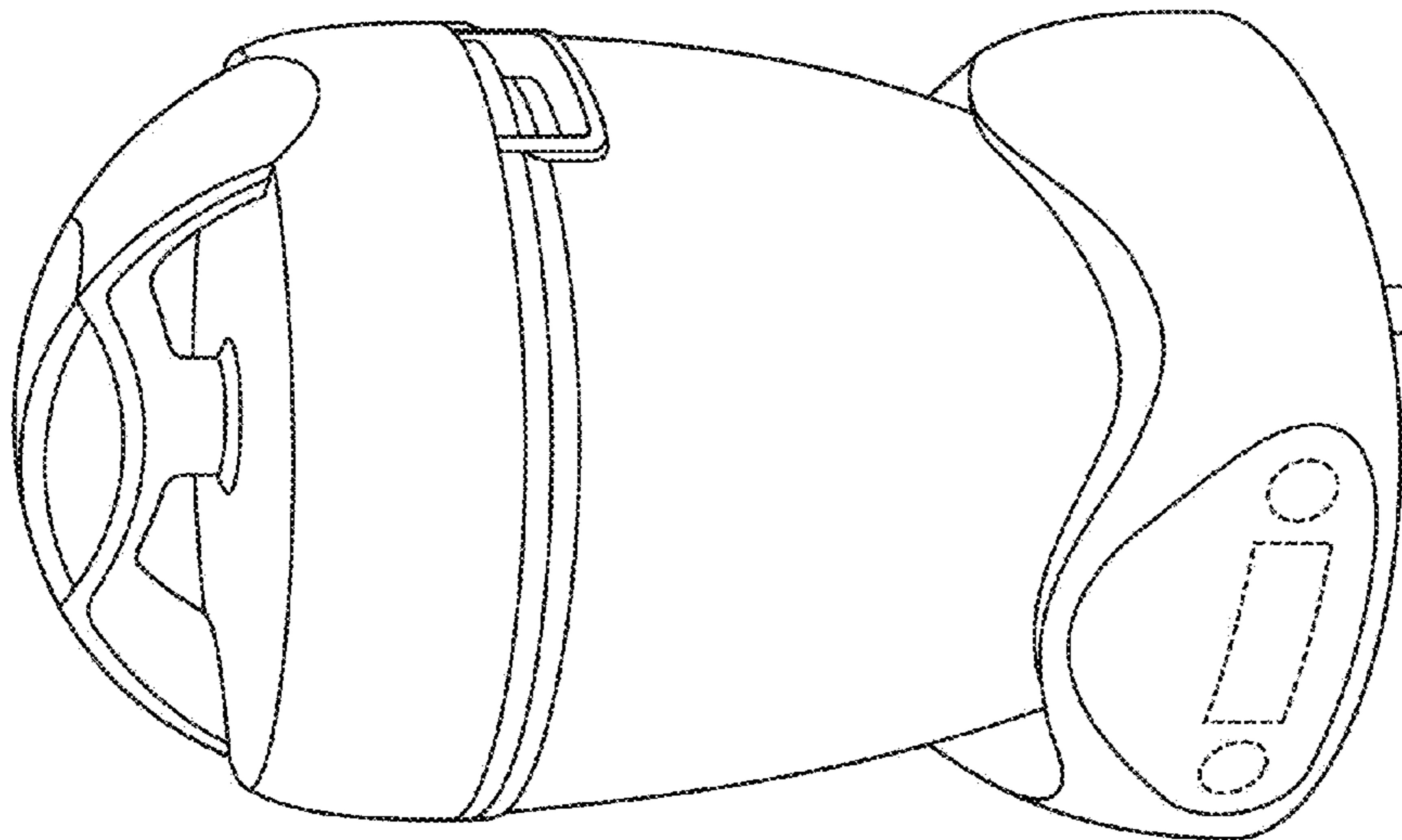


Fig. 1

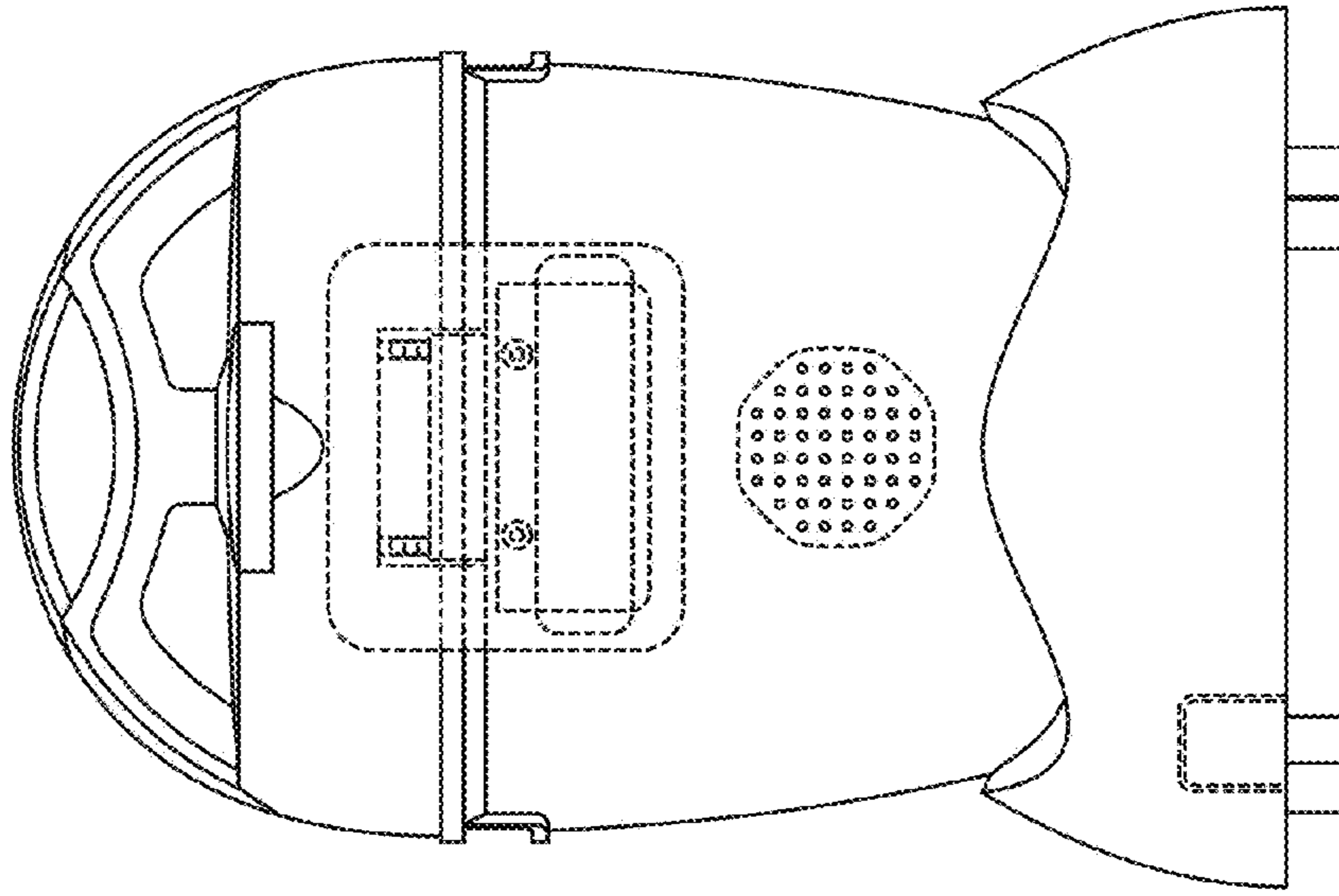


Fig. 4

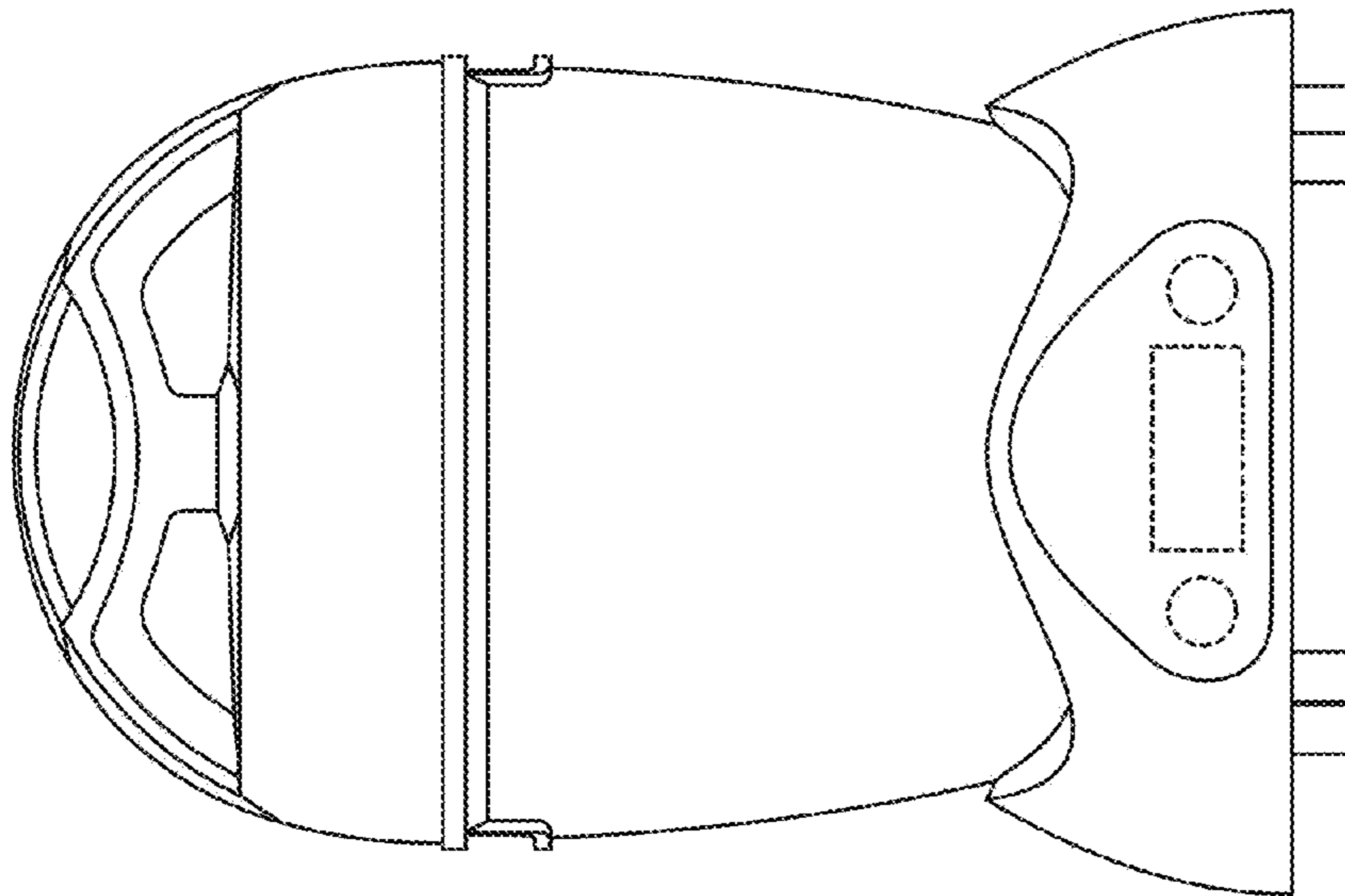


Fig. 3

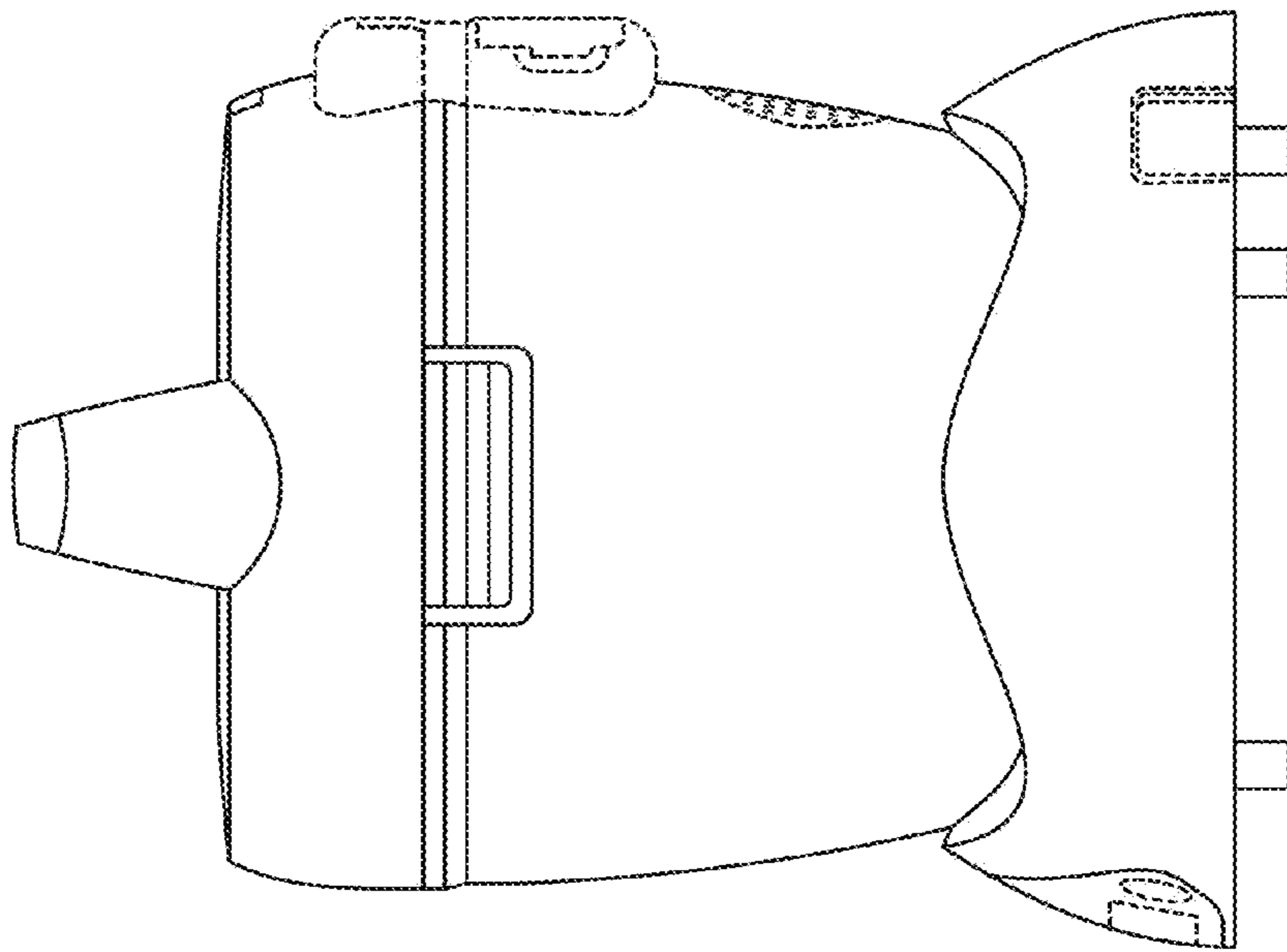


Fig. 6

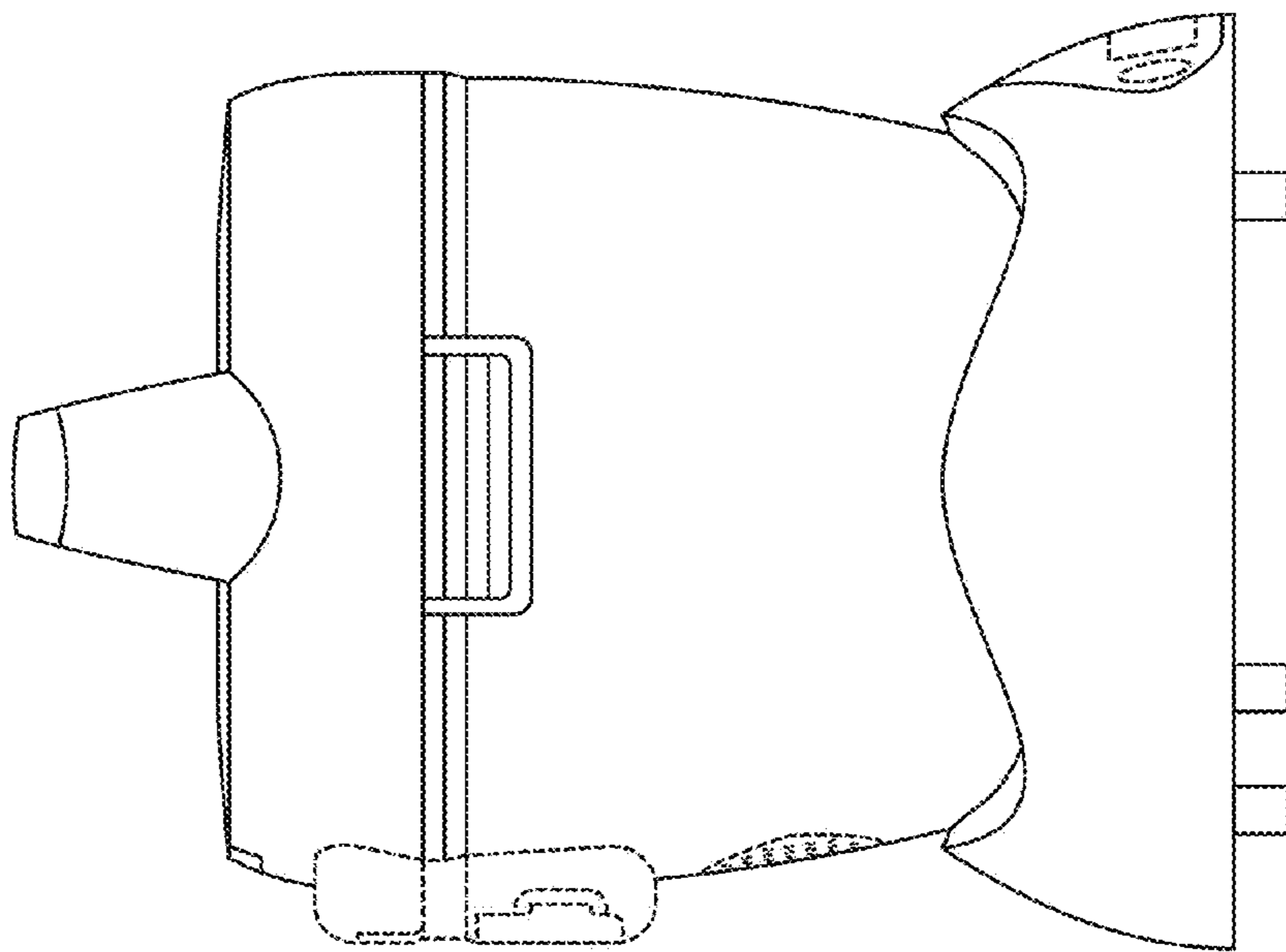


Fig. 5

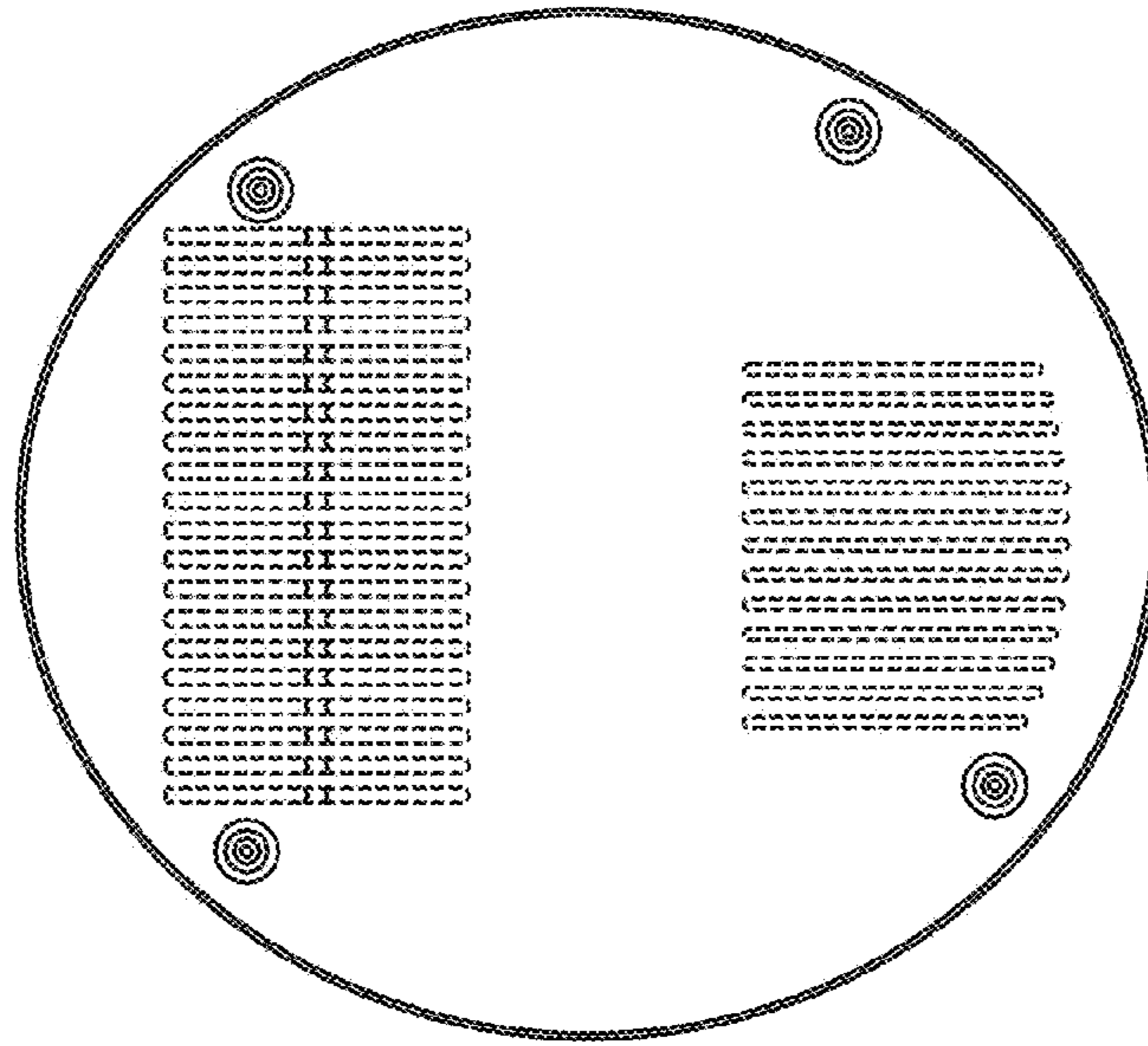


Fig. 8

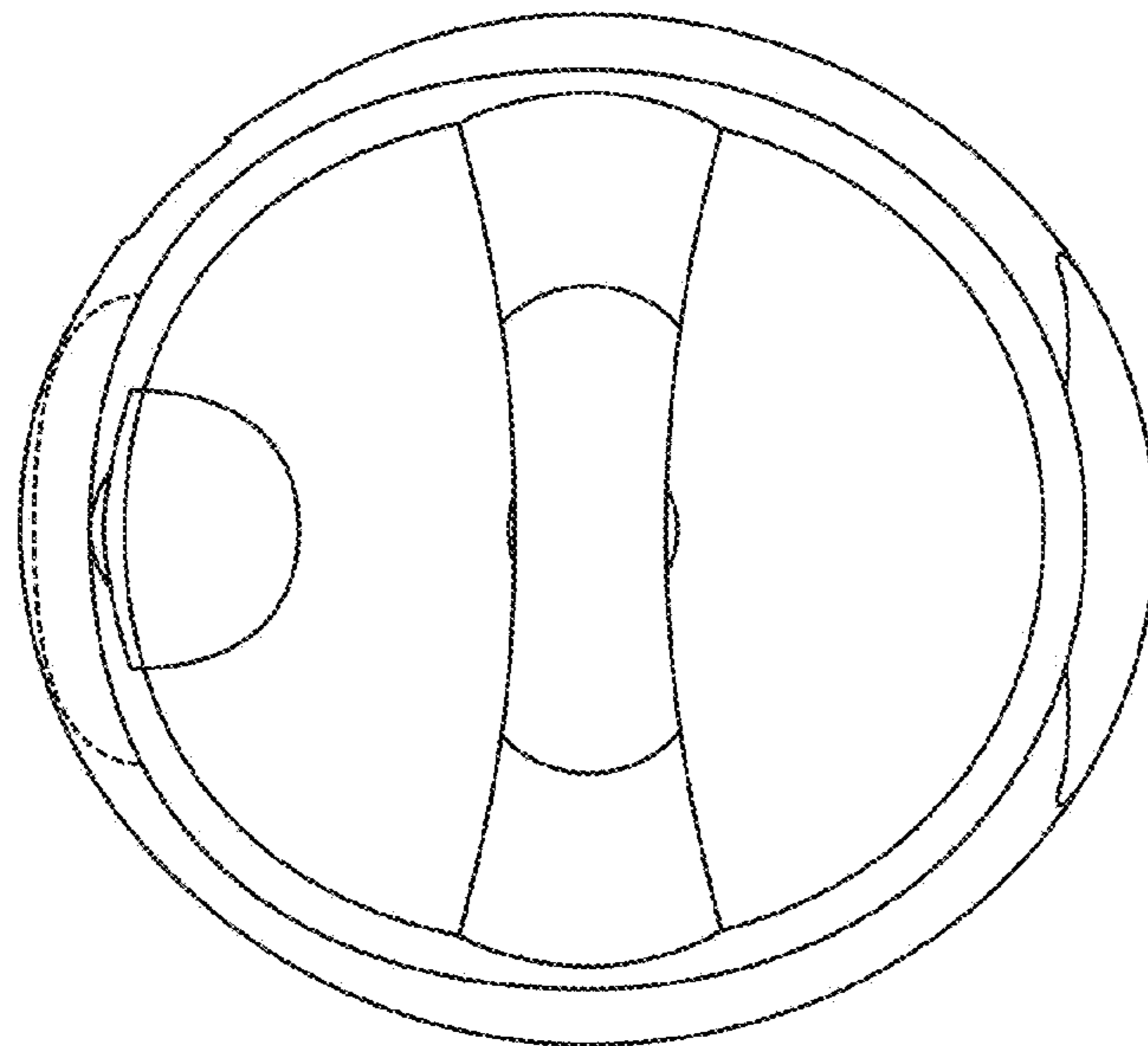


Fig. 7