

US00D756160S

(12) **United States Design Patent**
Lin

(10) **Patent No.:** **US D756,160 S**
(45) **Date of Patent:** **** May 17, 2016**

(54) **POT**

(71) Applicant: **Ting Han Lin**, Tainan (TW)

(72) Inventor: **Ting Han Lin**, Tainan (TW)

(**) Term: **14 Years**

(21) Appl. No.: **29/513,796**

(22) Filed: **Jan. 6, 2015**

(51) **LOC (10) Cl.** **07-02**

(52) **U.S. Cl.**
USPC **D7/354**

(58) **Field of Classification Search**
USPC D7/323, 354-363, 391, 393-396, 409,
D7/538, 542, 629

CPC A47G 19/12; A47J 27/00; A47J 27/002;
A47J 27/08; A47J 27/21; A47J 27/58; A47J
36/025; A47J 36/06; A47J 36/12; A47J 37/00;
A47J 37/10; A47J 37/101; A47J 37/103;
A47J 37/12; A47J 37/1204; A47J 45/061;
A47J 45/071; A47J 45/08; H05B 6/12

See application file for complete search history.

(56)

References Cited

U.S. PATENT DOCUMENTS

D174,605 S *	4/1955	Ziskin et al.	D7/542
D206,452 S *	12/1966	Latham	D7/542
D207,594 S *	5/1967	Aubecq	D7/542
D535,856 S *	1/2007	Kell	D7/360
D572,524 S *	7/2008	Baker	D7/360
D589,295 S *	3/2009	Rohrer	D7/360
D618,046 S *	6/2010	Li	D7/354
D618,490 S *	6/2010	Li	D7/354
D628,021 S *	11/2010	Curtin	D7/629
D644,490 S *	9/2011	Shah	D7/538
D667,273 S *	9/2012	Henry	D7/542

* cited by examiner

Primary Examiner — Ricky Pham

(57)

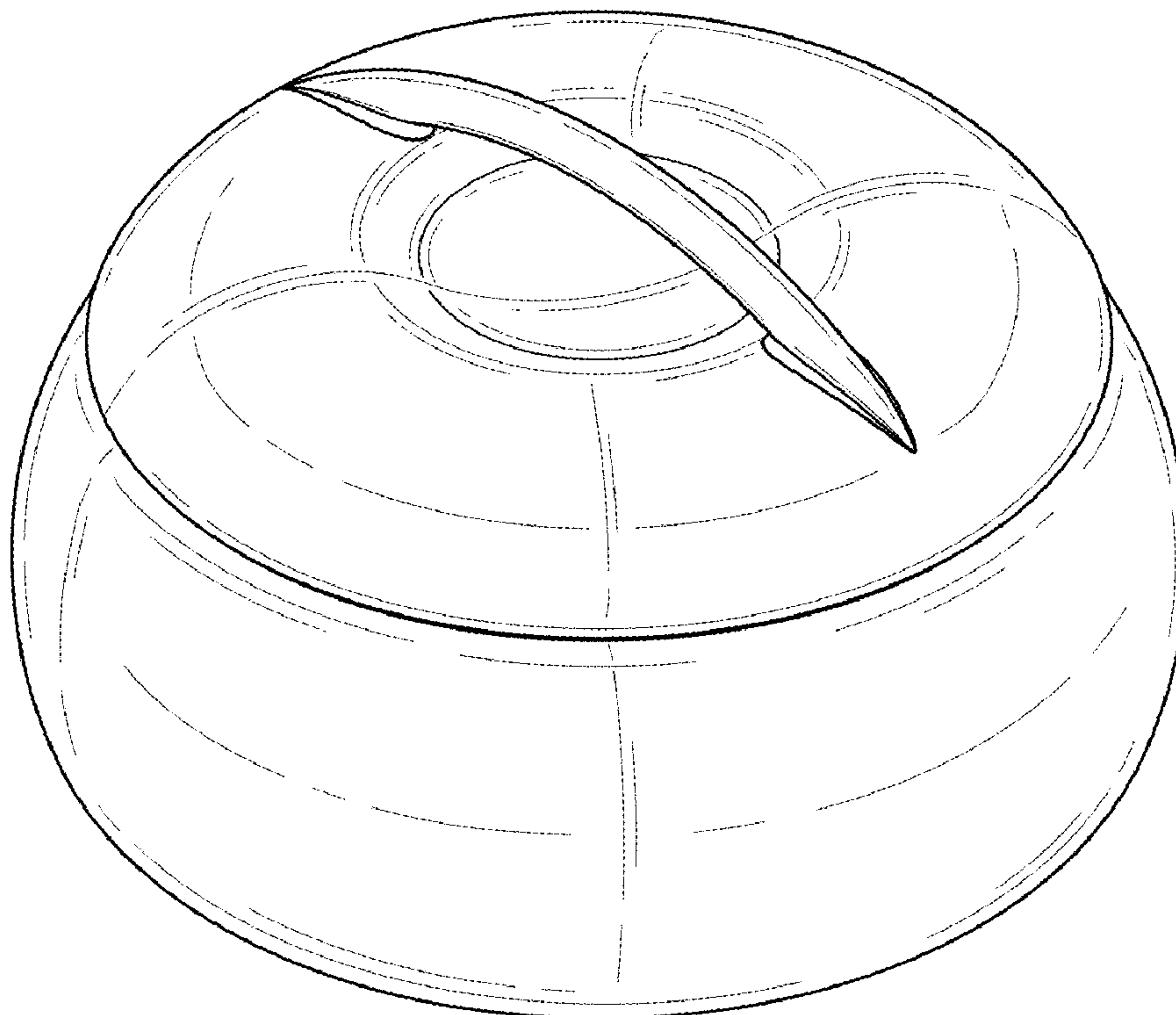
CLAIM

The ornamental design for a pot, as shown and described.

DESCRIPTION

FIG. 1 is a perspective view of a pot showing my design;
FIG. 2 is a front elevational view thereof;
FIG. 3 is a rear elevational view thereof;
FIG. 4 is a left side elevational view thereof;
FIG. 5 is a right side elevational view thereof;
FIG. 6 is a top plan view thereof; and,
FIG. 7 is a bottom plan view thereof.

1 Claim, 7 Drawing Sheets



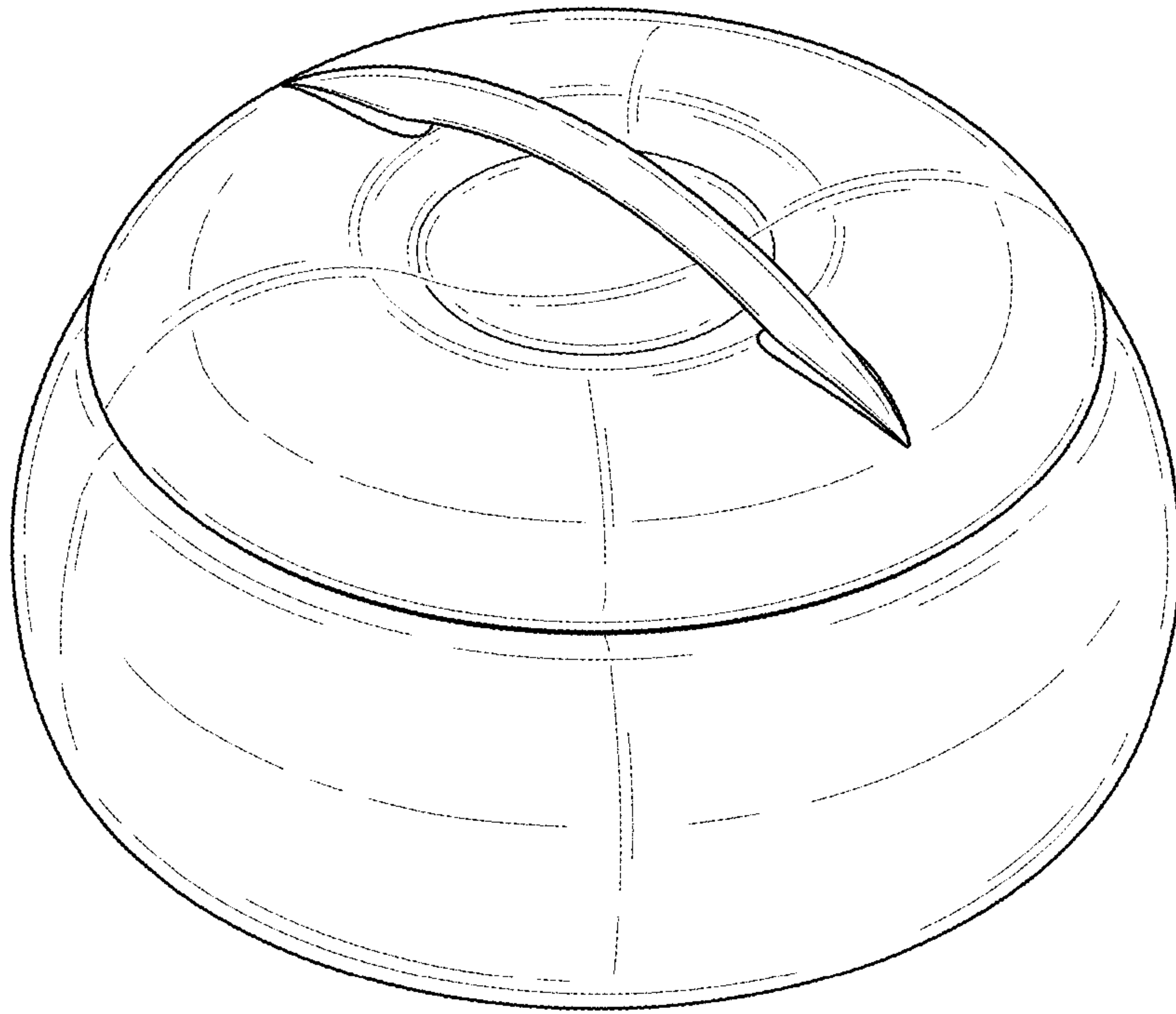


FIG. 1

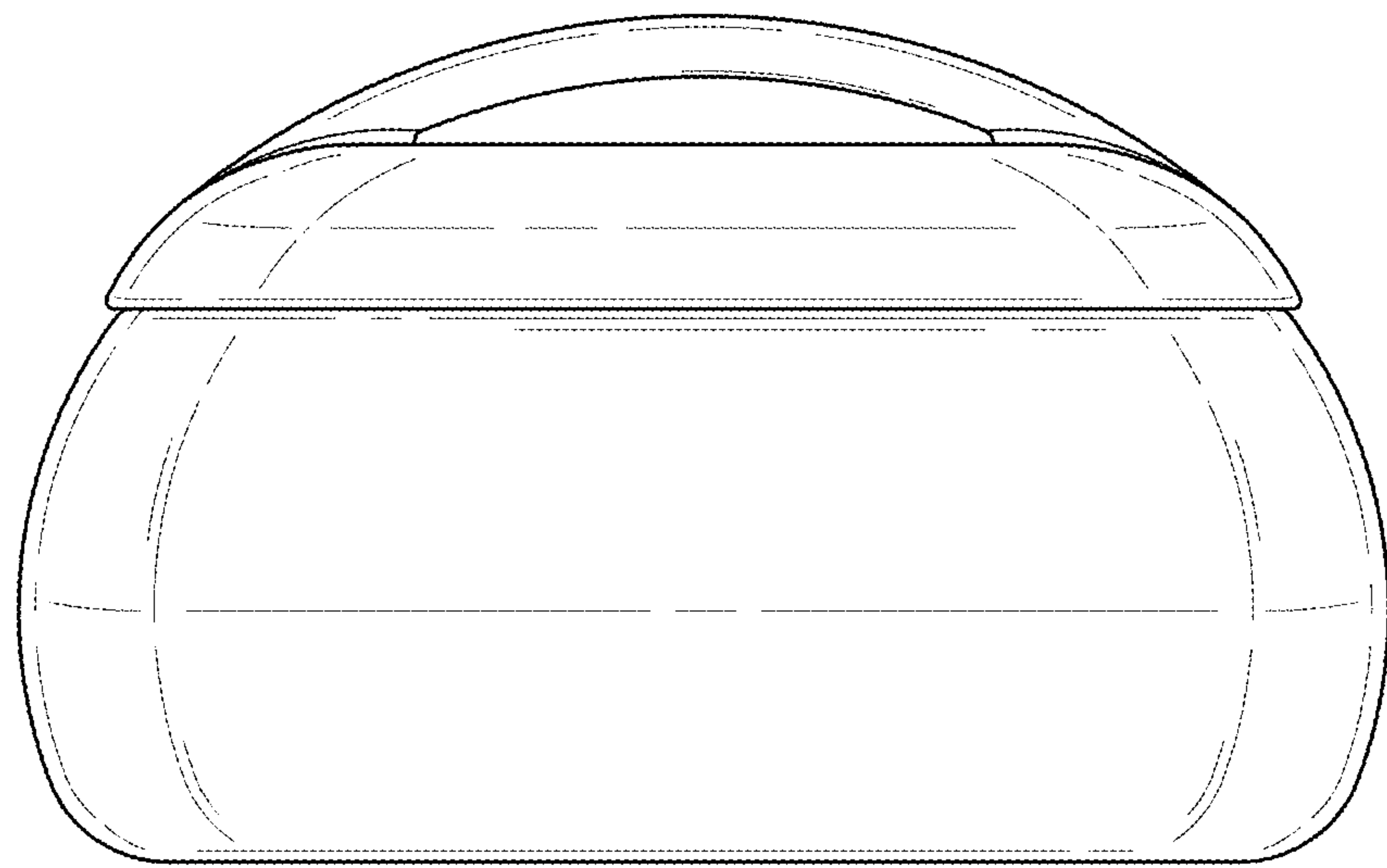


FIG.2

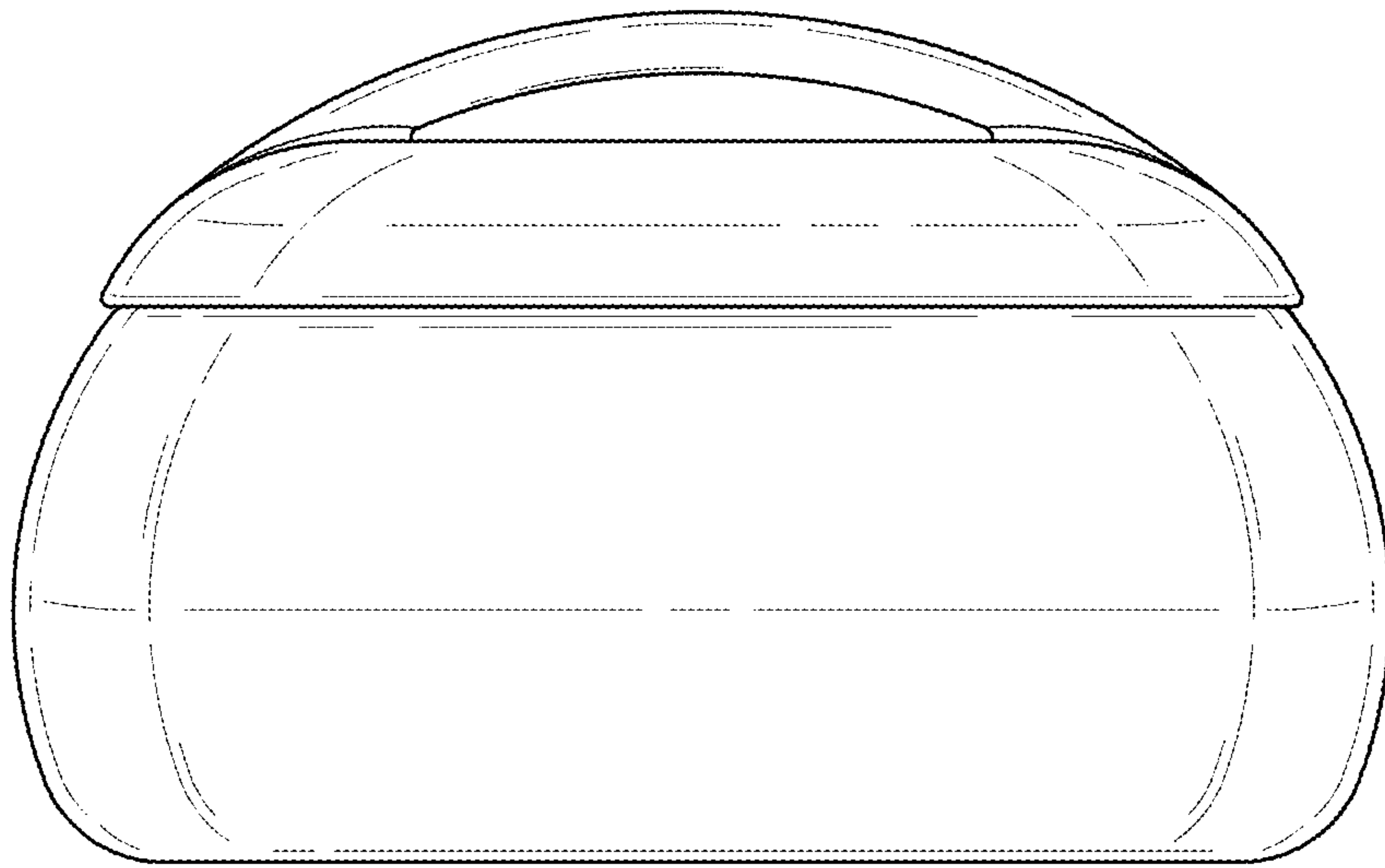


FIG.3

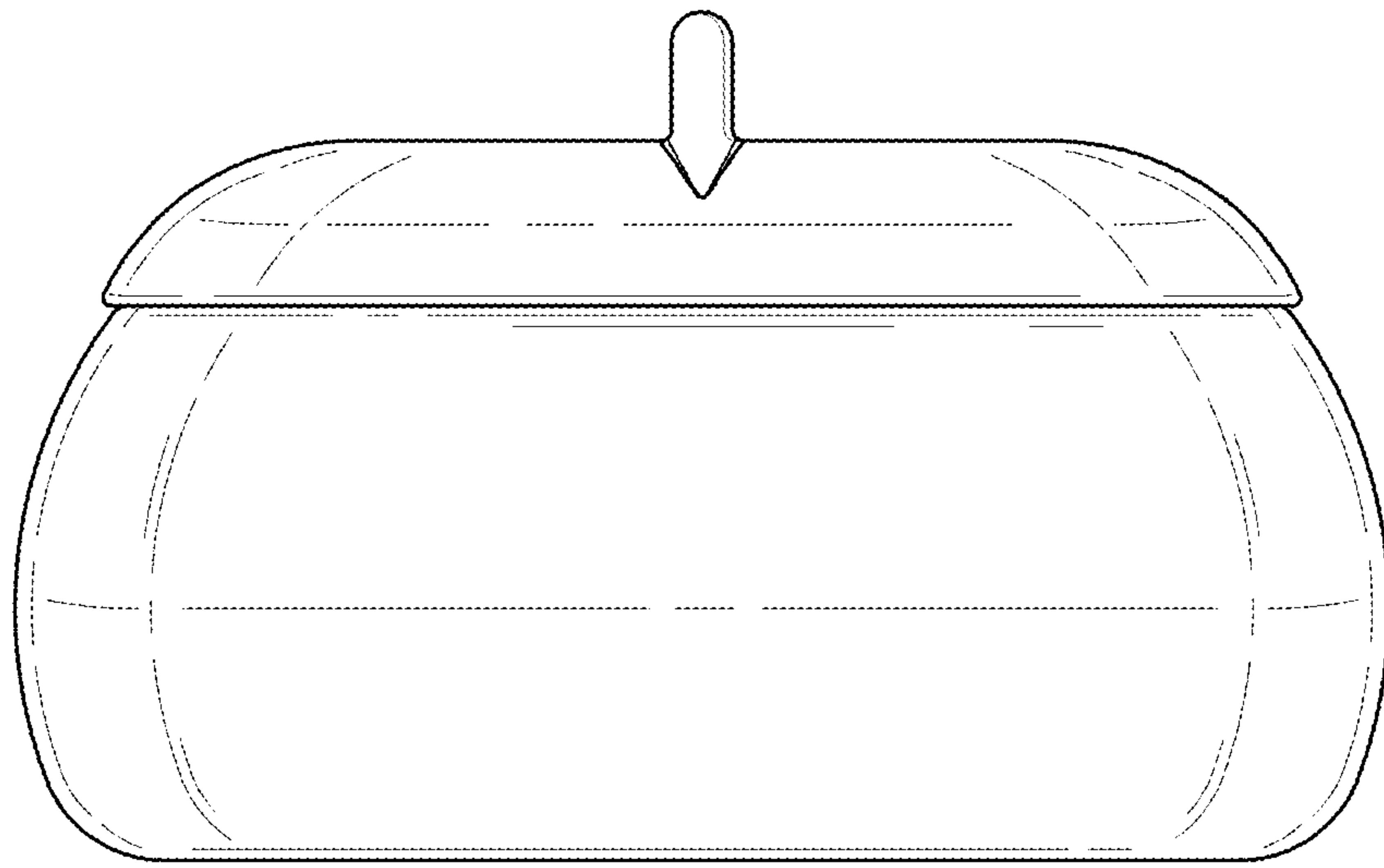


FIG.4

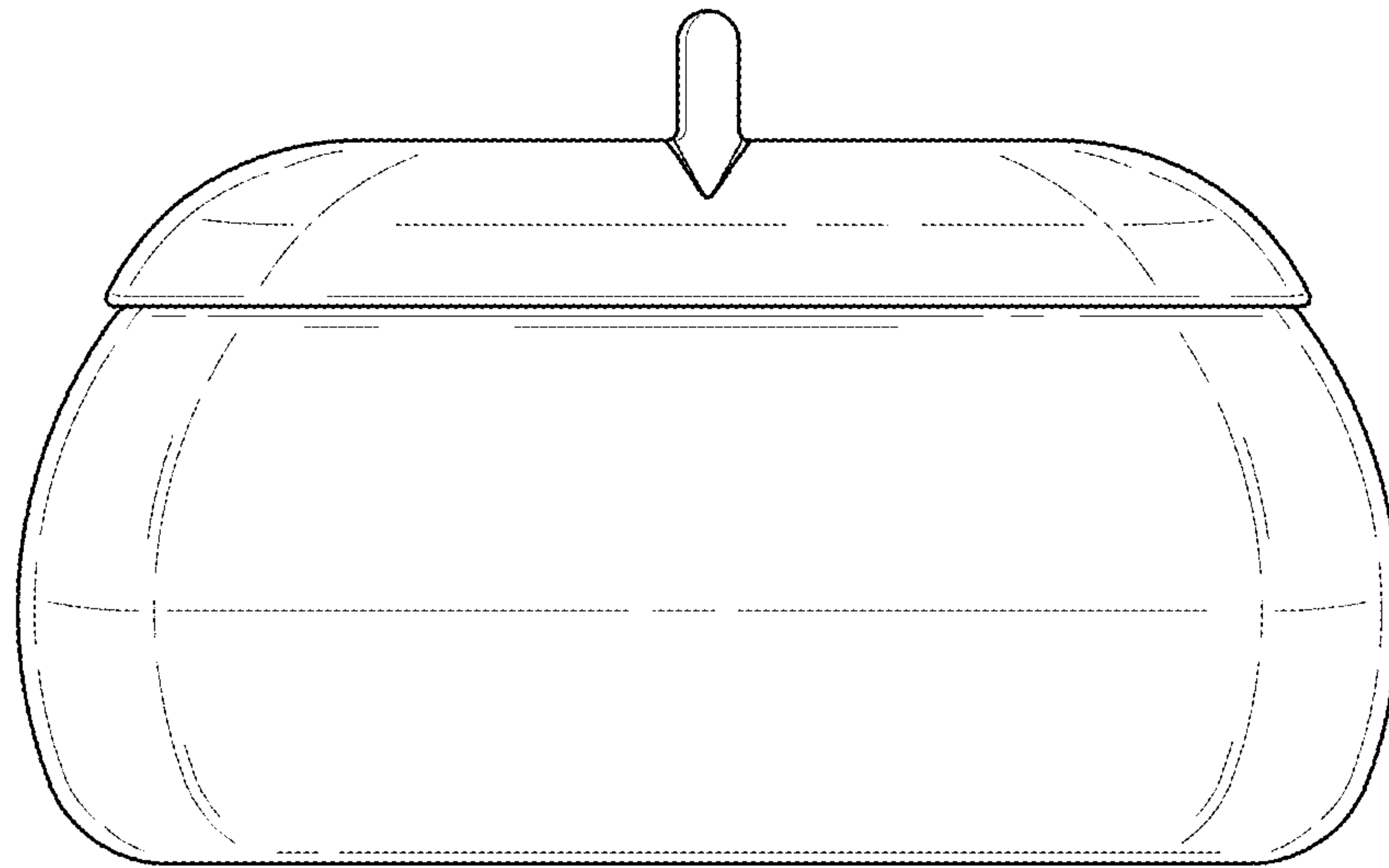


FIG.5

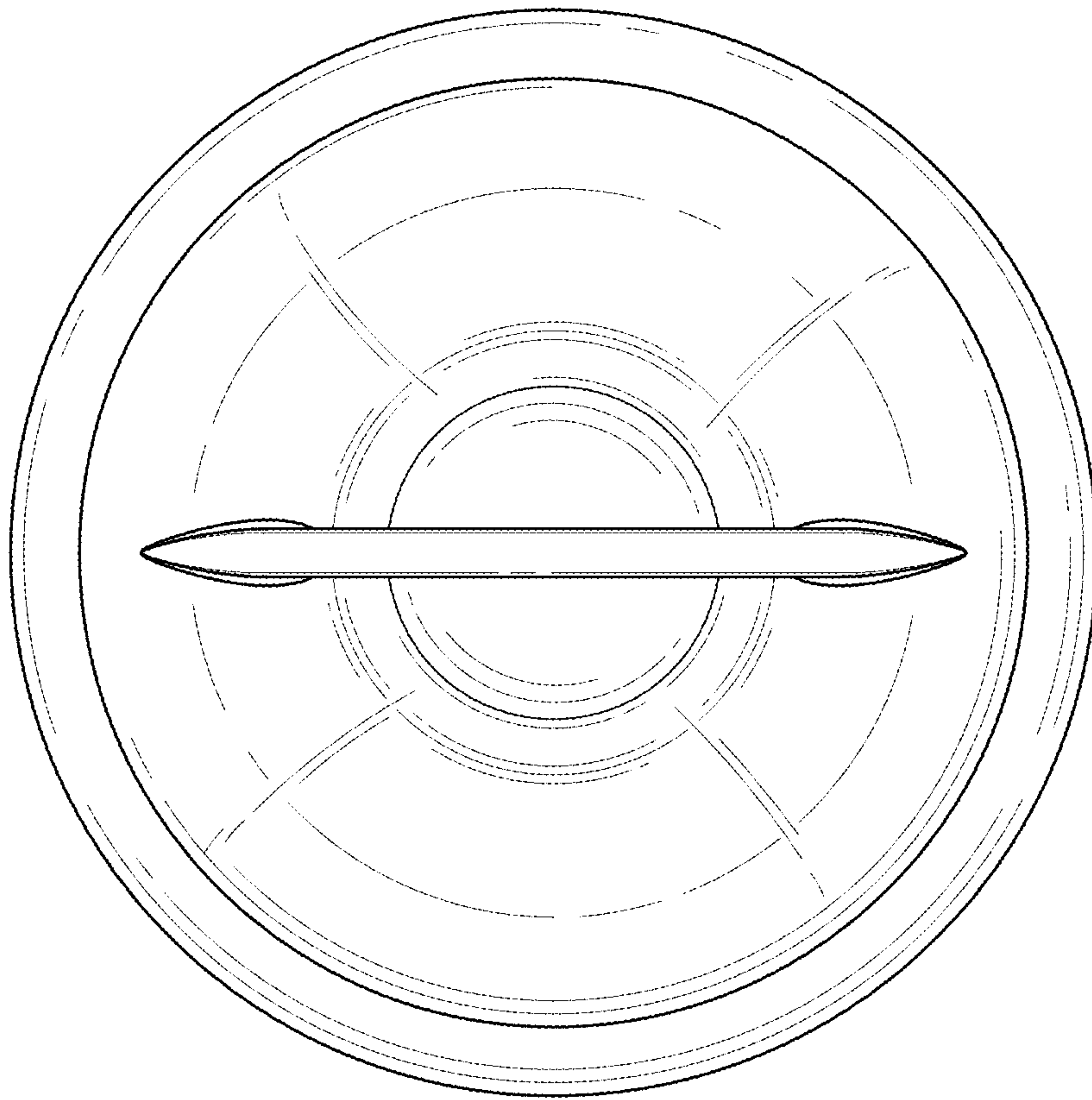


FIG.6

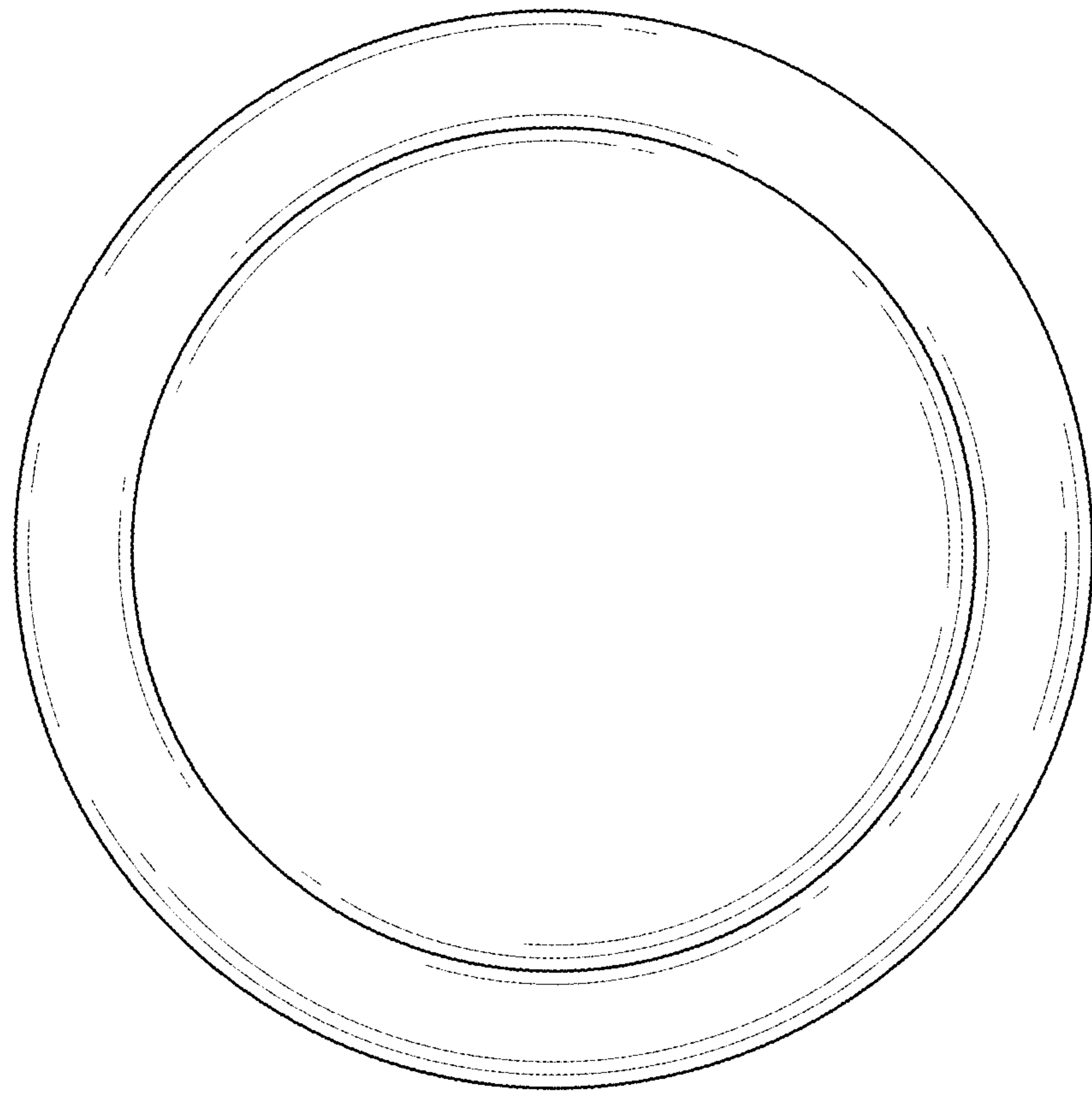


FIG. 7