



US00D756158S

(12) **United States Design Patent**
Krawiec et al.

(10) **Patent No.:** **US D756,158 S**
(45) **Date of Patent:** **** May 17, 2016**

- (54) **KETTLE GRILL**
- (71) Applicants: **David M. Krawiec**, Greensboro, NC
(US); **Ronald Boose**, Yadkinville, NC
(US)
- (72) Inventors: **David M. Krawiec**, Greensboro, NC
(US); **Ronald Boose**, Yadkinville, NC
(US)
- (73) Assignee: **Camco Manufacturing Inc.**,
Greensboro, NC (US)
- (**) Term: **14 Years**
- (21) Appl. No.: **29/474,898**
- (22) Filed: **Mar. 12, 2015**
- (51) **LOC (10) Cl.** **07-02**
- (52) **U.S. Cl.**
USPC **D7/332**
- (58) **Field of Classification Search**
USPC D7/323-339, 352-353, 402-403;
126/26 R, 41 R, 50
CPC ... A47J 37/0611; A47J 37/06; A47J 37/0617;
A47J 37/07-37/0713; A47J 37/0763
See application file for complete search history.

6,253,760 B1 *	7/2001	Mashburn	A47J 37/0704	126/25 R
D447,664 S *	9/2001	Stephens	D7/337	
D468,150 S *	1/2003	Schroeter	D7/335	
D482,561 S *	11/2003	Yeh	D7/332	
D509,989 S *	9/2005	Steinberg	D7/352	
D648,975 S *	11/2011	Chiang	D7/332	
D677,526 S *	3/2013	Wade	D7/335	
D688,083 S *	8/2013	Crick	D7/337	
D702,986 S *	4/2014	Tomalin-Reeves	D7/332	
D706,569 S *	6/2014	Fung	D7/352	
D707,075 S *	6/2014	Fung	D7/352	

* cited by examiner

Primary Examiner — Susan Bennett Hattan
Assistant Examiner — Brett Miller

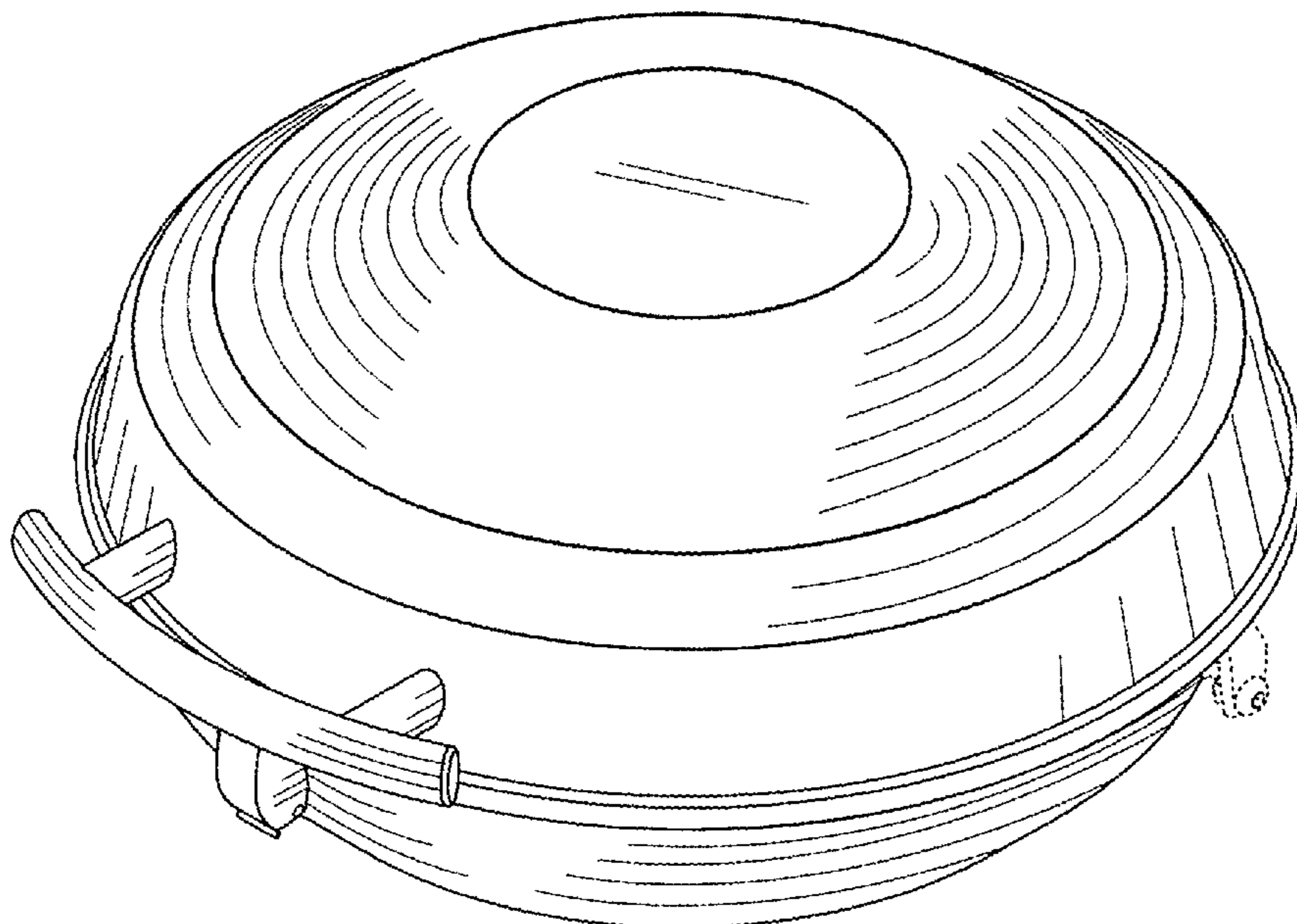
(57) **CLAIM**
The ornamental design for a kettle grill, as shown and described.

DESCRIPTION

FIG. 1 is a front, top, right side perspective view of a kettle grill showing our new design;
FIG. 2 is a front elevational view thereof,
FIG. 3 is a rear elevational view thereof;
FIG. 4 is a right elevational view, the left side being a mirror image thereof;
FIG. 5 is a top plan view thereof; and
FIG. 6 is a bottom plan view thereof; and
FIG. 7 is a rear, bottom, right perspective view thereof.
The broken lines depict unclaimed portions of the kettle grill and form no part of the claimed design.

1 Claim, 7 Drawing Sheets

- (56) **References Cited**
U.S. PATENT DOCUMENTS
D334,108 S * 3/1993 Fisher D7/323
D438,750 S * 3/2001 Mashburn D7/335



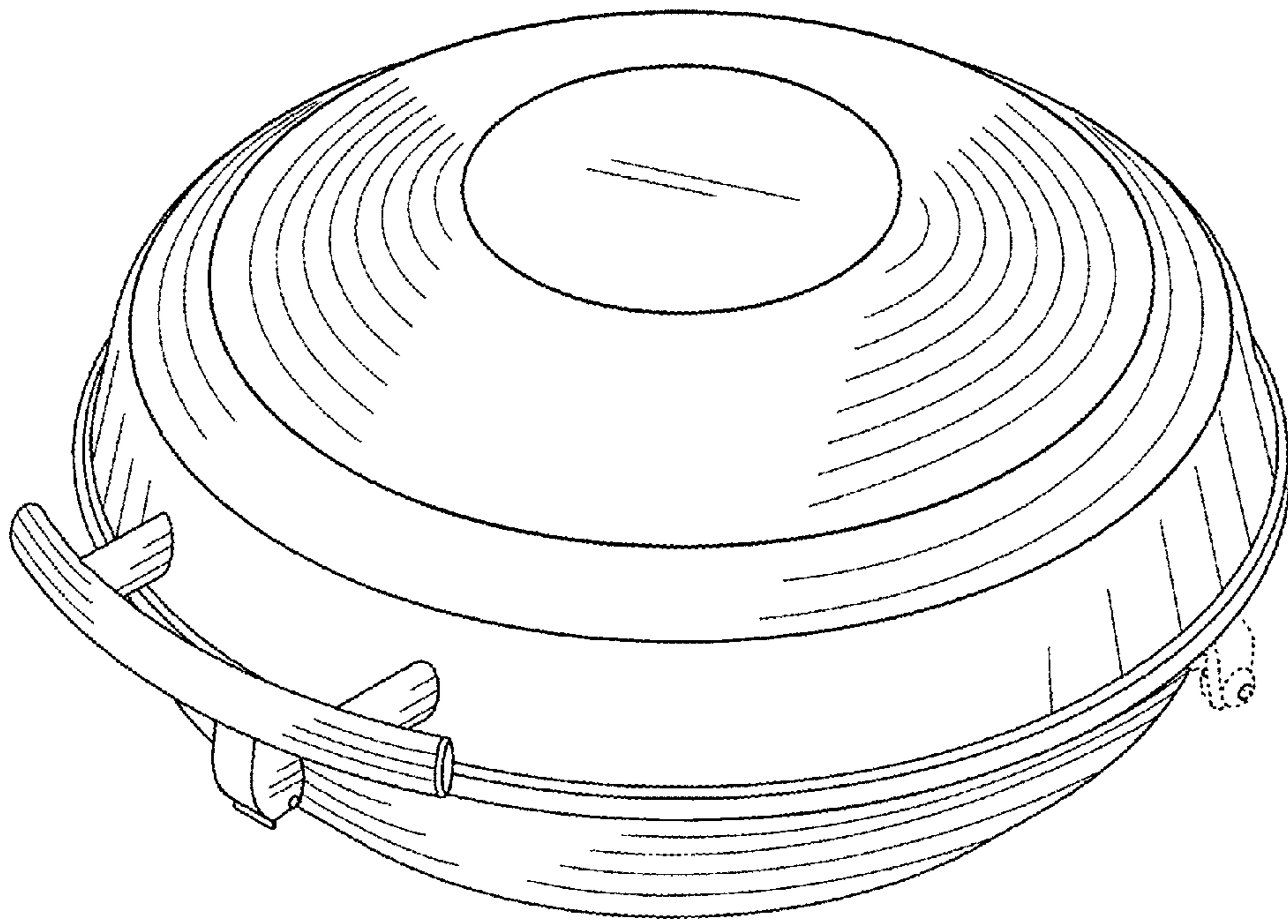


Fig. 1

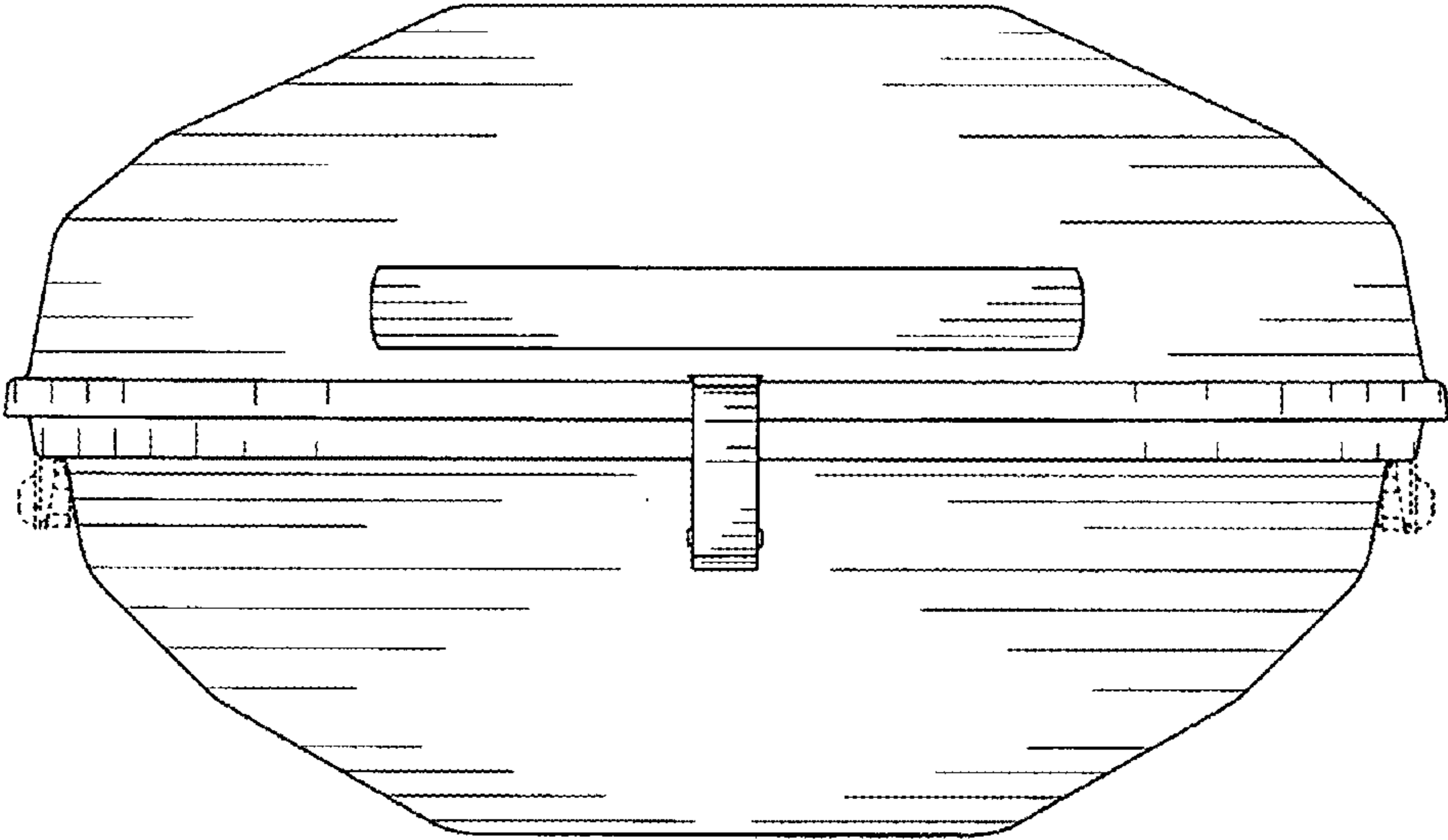


Fig. 2

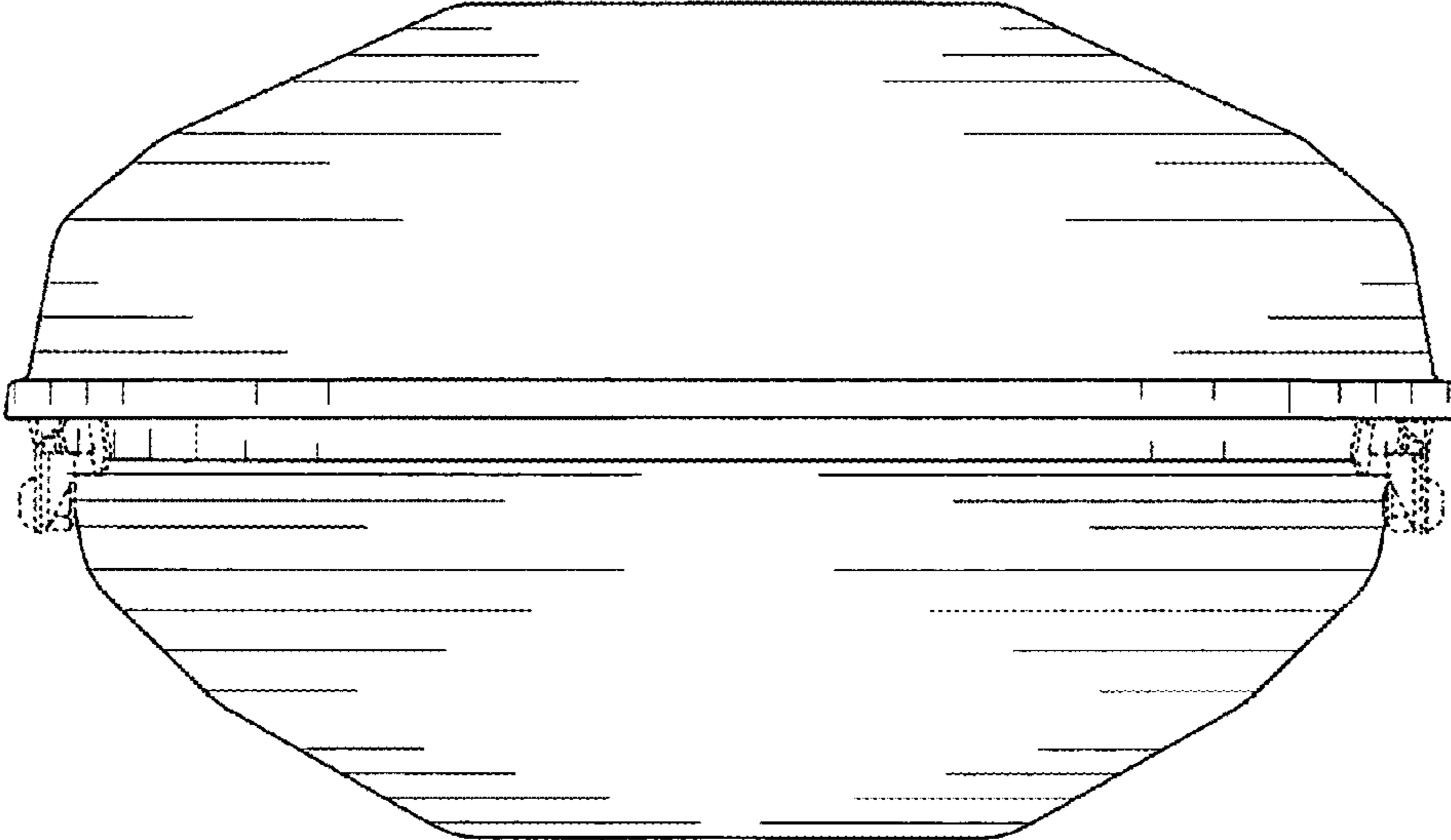


Fig. 3

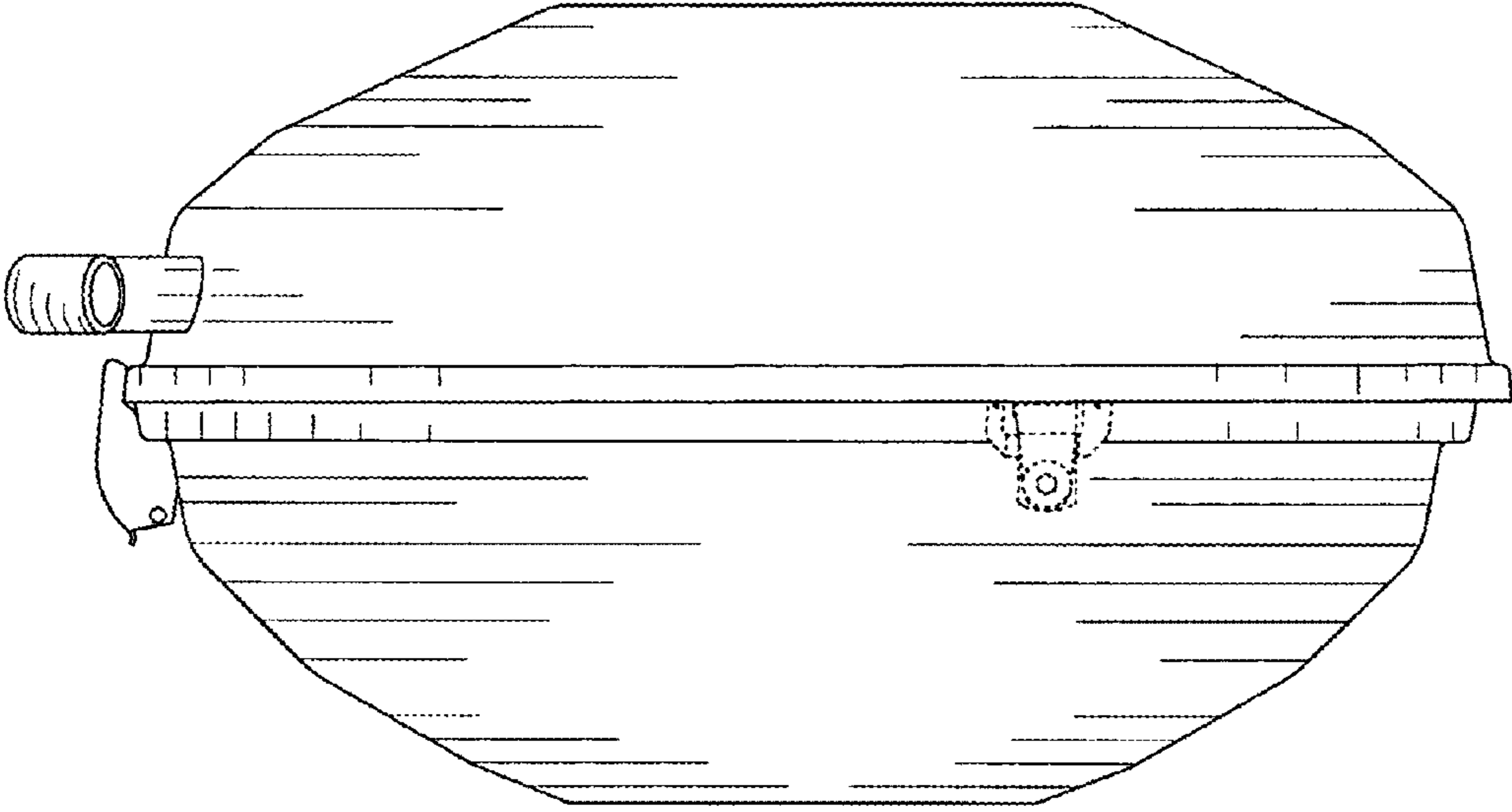


Fig. 4

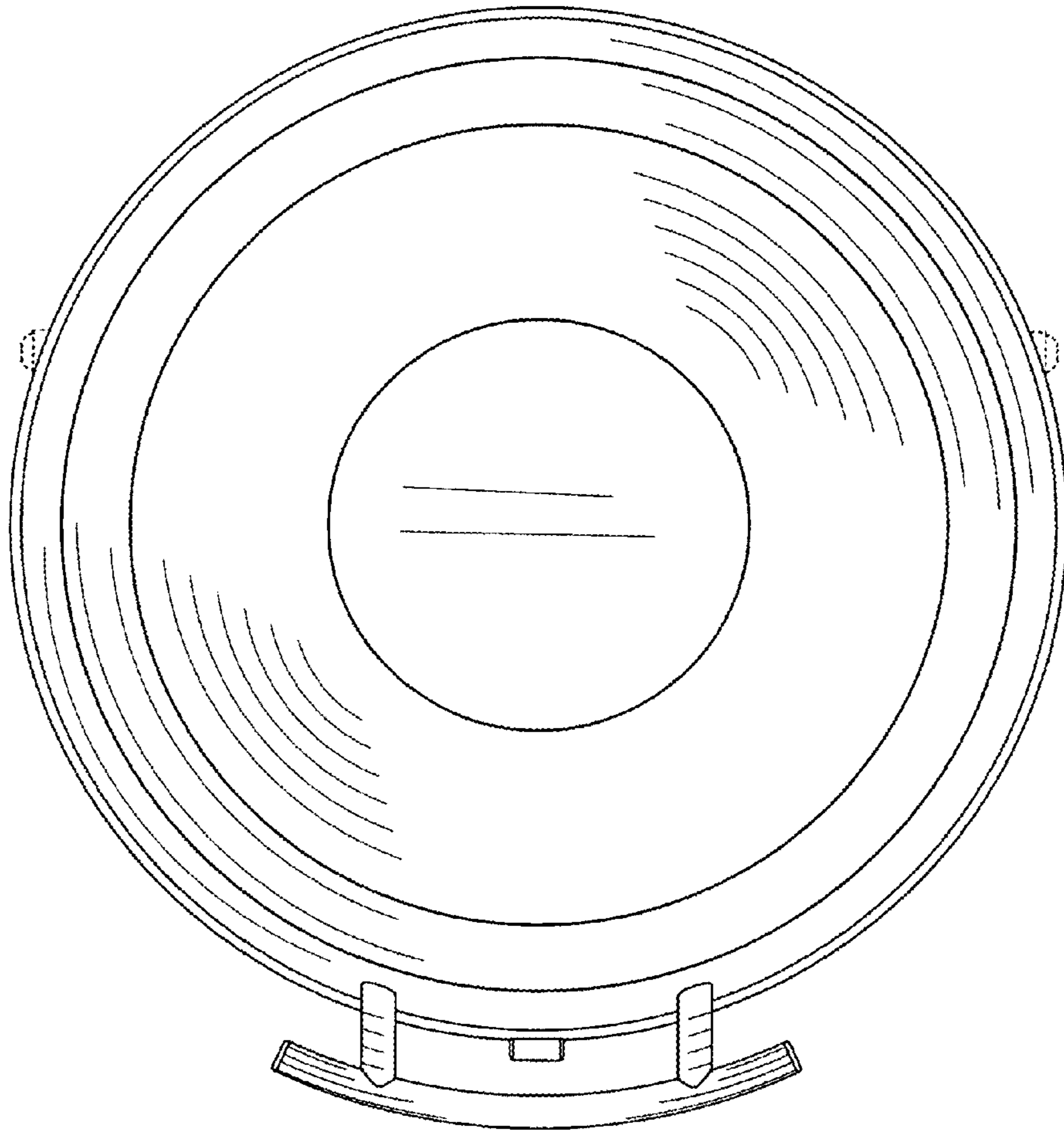


Fig. 5

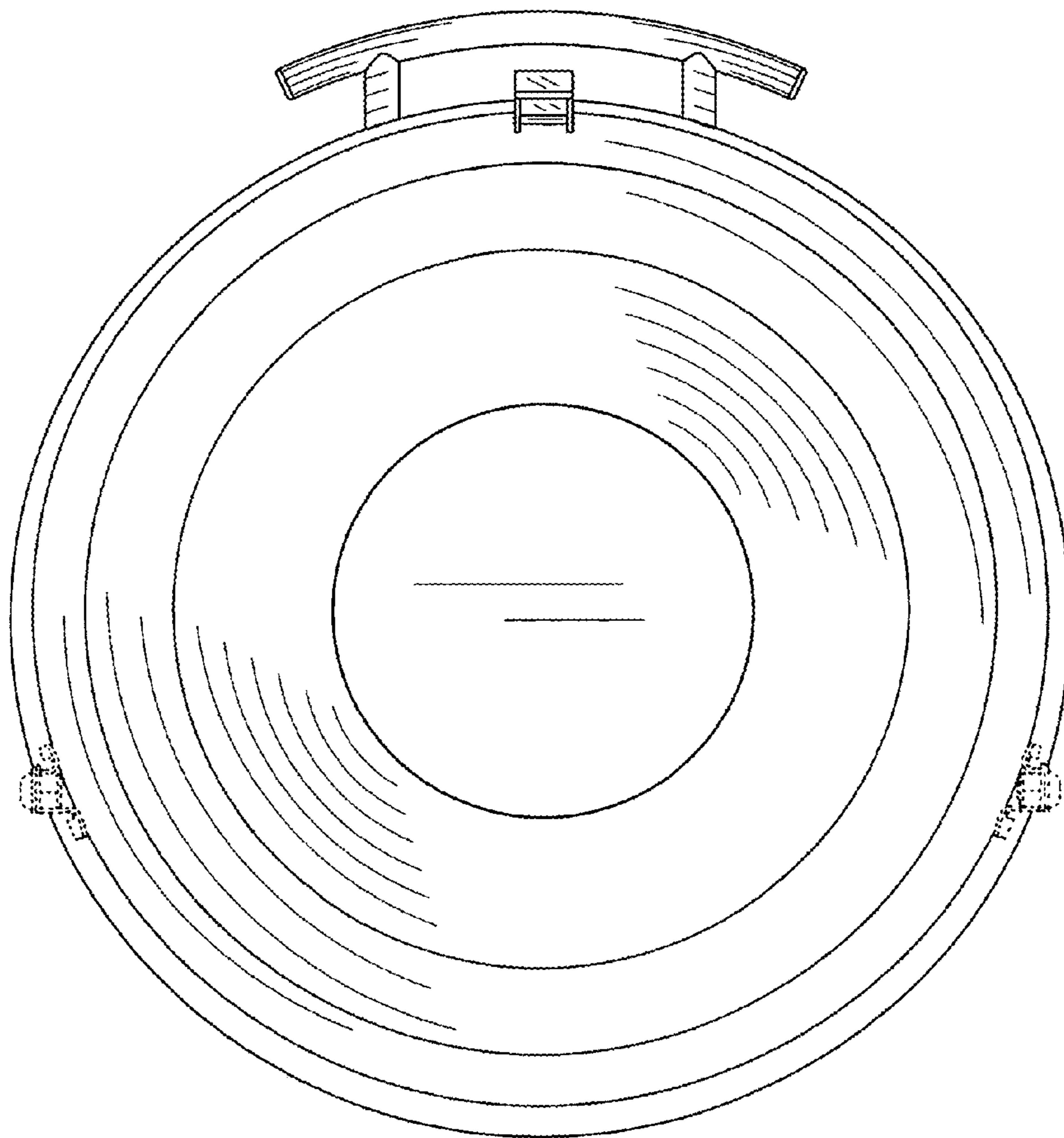


Fig. 6

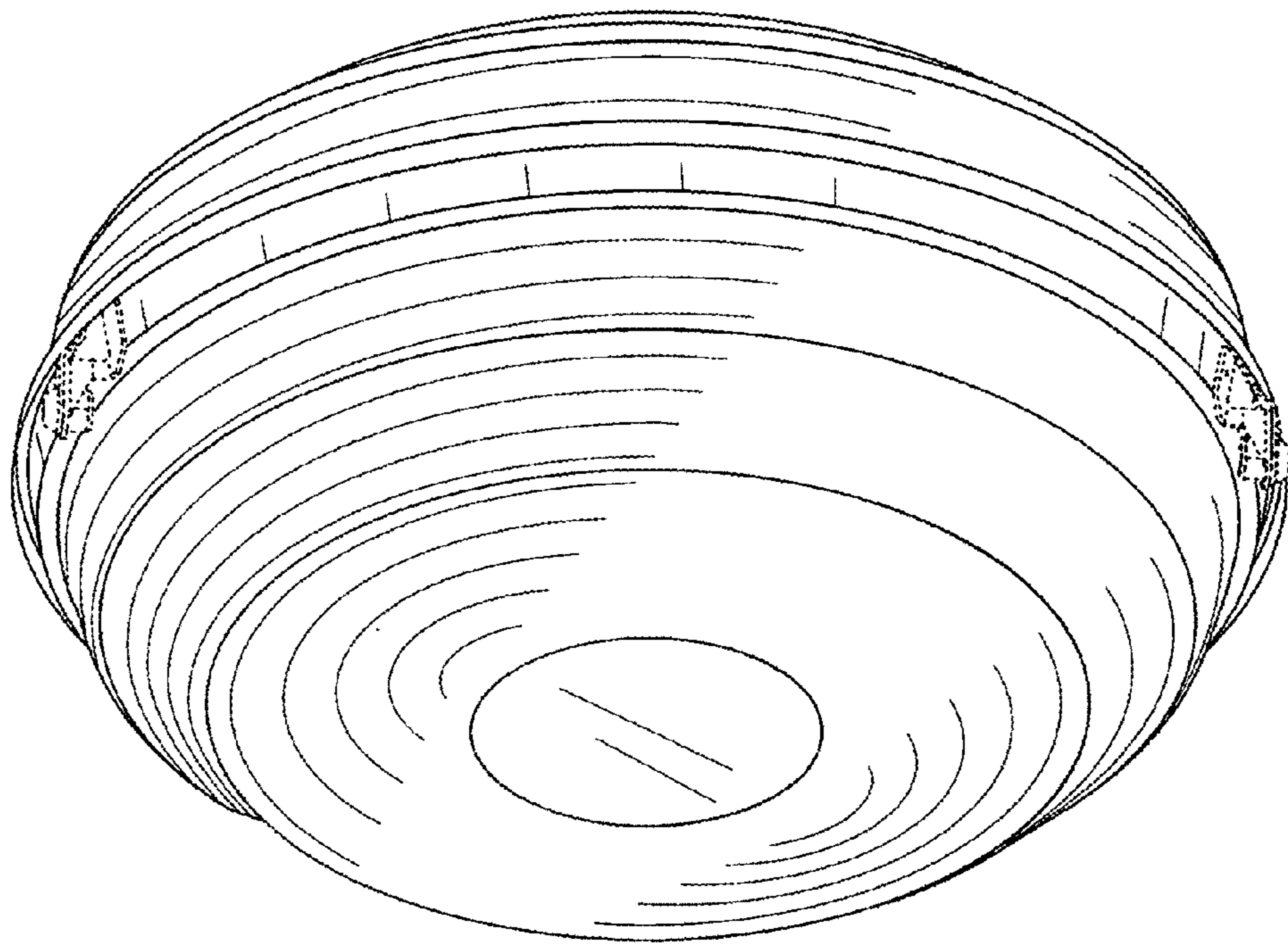


Fig. 7