



US00D756154S

(12) **United States Design Patent**
Walter

(10) **Patent No.:** **US D756,154 S**
(45) **Date of Patent:** **** May 17, 2016**

(54) **DISPLAY EQUIPMENT**

(71) Applicant: **Visplay International AG**, MuttENZ
(CH)

(72) Inventor: **Herbert Walter**, Müllheim (DE)

(73) Assignee: **Visplay International AG** (CH)

(**) Term: **14 Years**

(21) Appl. No.: **29/480,127**

(22) Filed: **Jan. 23, 2014**

(30) **Foreign Application Priority Data**

Jul. 24, 2013 (WO) DM/081410

(51) **LOC (10) Cl.** **06-06**

(52) **U.S. Cl.**
USPC **D6/702**

(58) **Field of Classification Search**
USPC D6/349, 355, 560, 657, 662.1, 672,
D6/683.1, 675.1, 691.1, 675.3, 702
CPC A47B 57/40; A47B 57/54
See application file for complete search history.

(56) **References Cited**

U.S. PATENT DOCUMENTS

D420,838 S * 2/2000 Riga D6/675.3
D661,309 S * 6/2012 Murrer D14/447

(Continued)

Primary Examiner — Kelley Donnelly

(74) *Attorney, Agent, or Firm* — McCarter & English, LLP

(57) **CLAIM**

The ornamental design for display equipment, as shown and described.

DESCRIPTION

FIG. 1 is a front perspective view from above with display equipment of a second embodiment essentially identical to FIG. 1, the button is pushed in, inserted into a panel;

FIG. 2 shows the arrangement of FIG. 5 with the button pushed out;

FIG. 3 shows the arrangement of FIG. 6 from below;

FIG. 4 is a front perspective view from above with display equipment of the second embodiment according to FIG. 5, the button is pushed in, inserted into a panel and intended for combination with a carrying arm designated for being hooked into the button;

FIG. 5 shows the arrangement of FIG. 8 with the button pushed out;

FIG. 6 shows the arrangement of FIG. 9 from below;

FIG. 7 shows the arrangement of FIG. 9 with a carrying arm drawn towards the button;

FIG. 8 shows the arrangement of FIG. 11 with the carrying arm hooked into the button;

FIG. 9 shows the arrangement of FIG. 12 from below;

FIG. 10 is a front perspective view from above with display equipment of a third embodiment essentially identical to FIG. 8, except that the insertion groove is continuous, the button is pushed in, inserted into a panel and intended for combination with a carrying arm designated for being hooked into the button;

FIG. 11 shows the arrangement of FIG. 14 with the button pushed out;

FIG. 12 shows the arrangement of FIG. 15 from below;

FIG. 13 shows the arrangement of FIG. 15 with a carrying arm drawn towards the button;

FIG. 14 shows the arrangement of FIG. 17 with the carrying arm hooked into the button;

FIG. 15 shows the arrangement of FIG. 18 from below;

FIG. 16 is a front perspective view from above with display equipment of a fourth embodiment essentially identical to FIG. 8, except that the button is of an oval-oblong cross section, the button is pushed in, inserted into a panel and intended for combination with a carrying arm designated for being hooked into the button;

FIG. 17 shows the arrangement of FIG. 20 with the button pushed out;

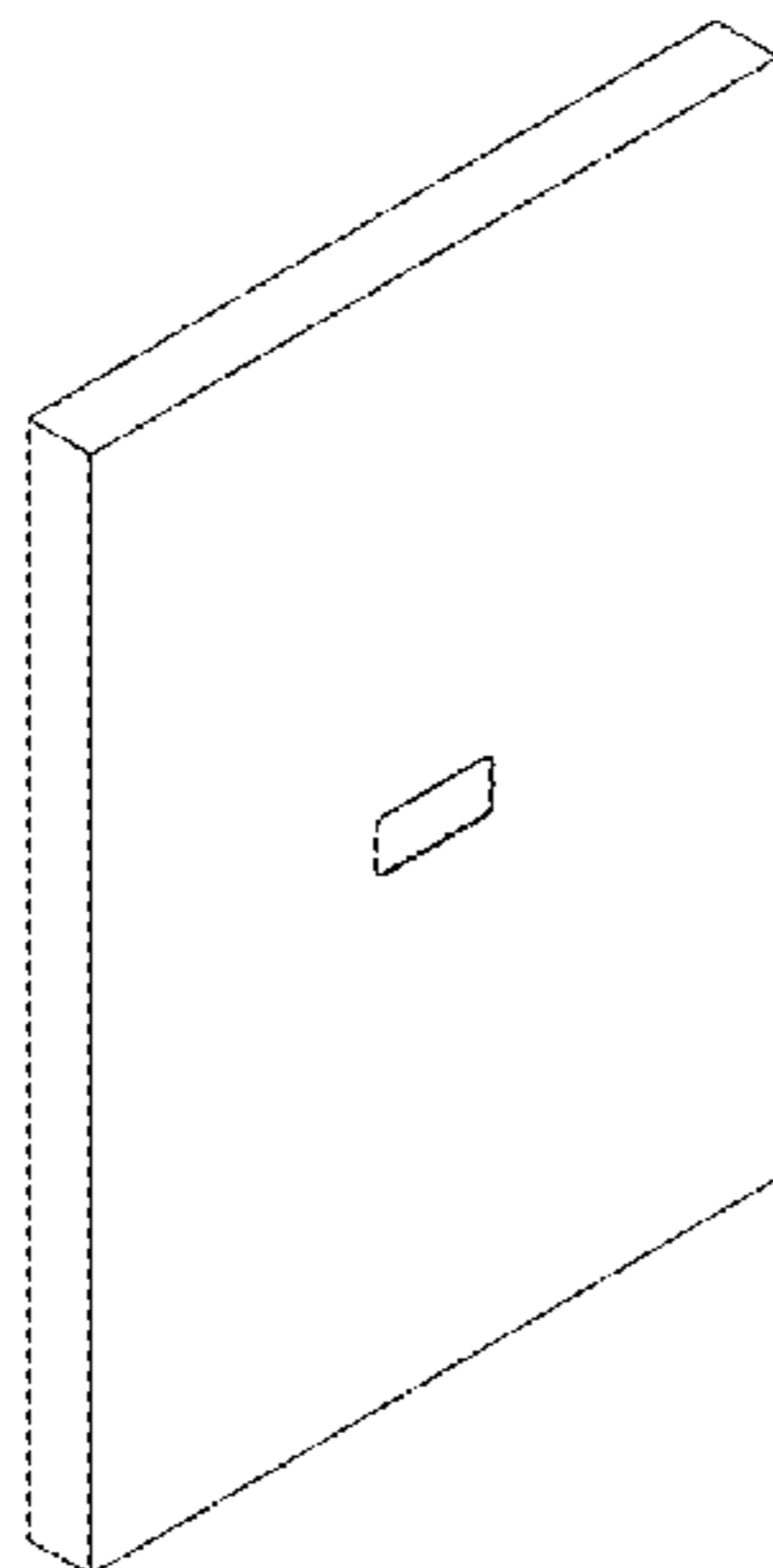
FIG. 18 shows the arrangement of FIG. 21 from below;

FIG. 19 shows the arrangement of FIG. 21 with a carrying arm drawn towards the button;

FIG. 20 shows the arrangement of FIG. 23 with the carrying arm hooked into the button; and,

FIG. 21 shows the arrangement of FIG. 24 from below.

1 Claim, 7 Drawing Sheets



US D756,154 S

Page 2

(56)

References Cited

U.S. PATENT DOCUMENTS

D679,209 S *	4/2013	Reynolds	D10/106.91	
D701,406 S *	3/2014	Leyden	D6/678	* cited by examiner
D710,363 S *	8/2014	Wengreen	D14/432	
D722,488 S *	2/2015	Lockwood	D8/376	
D736,858 S *	8/2015	McPhillips	D20/43	

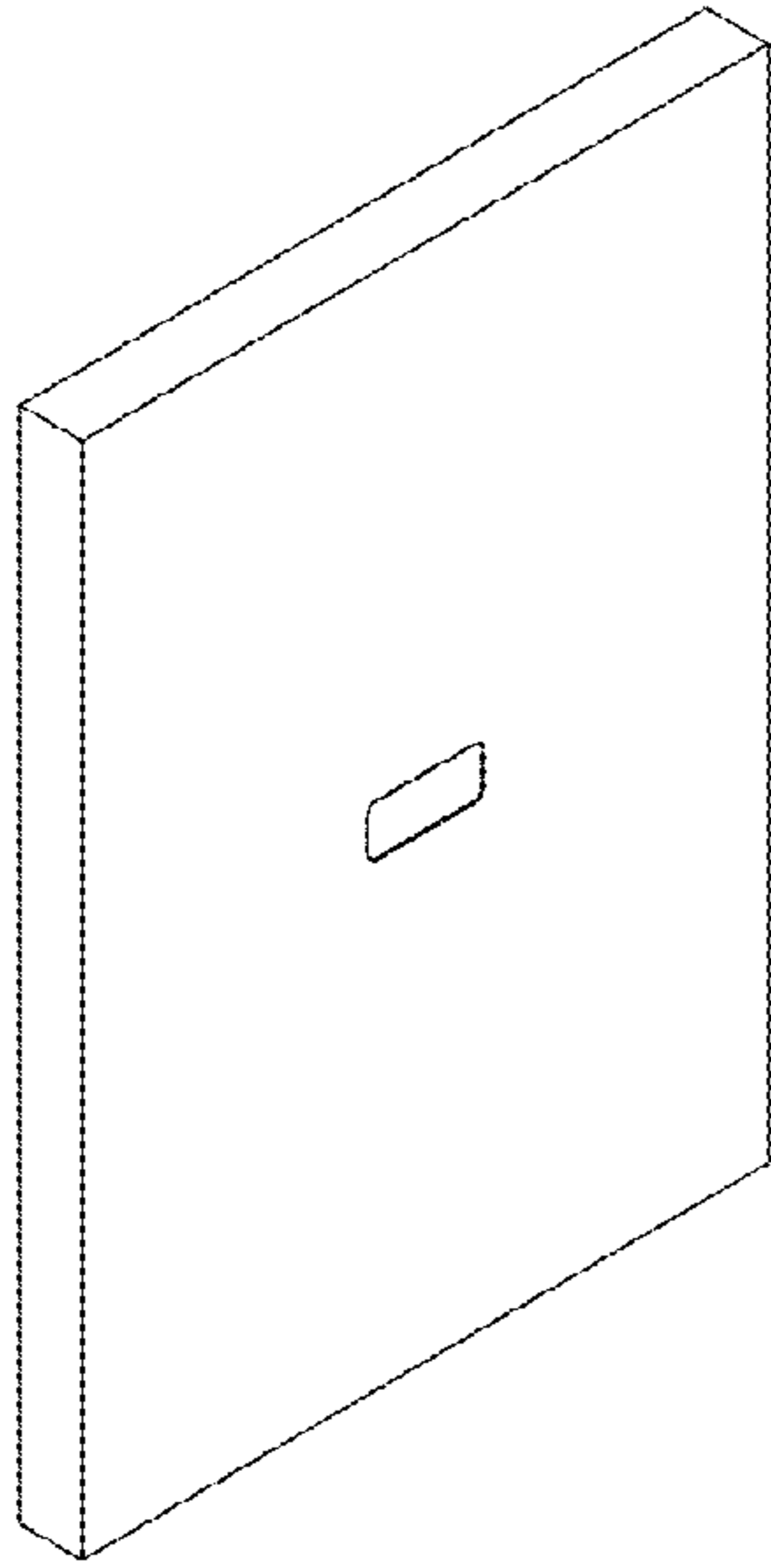


Fig. 1

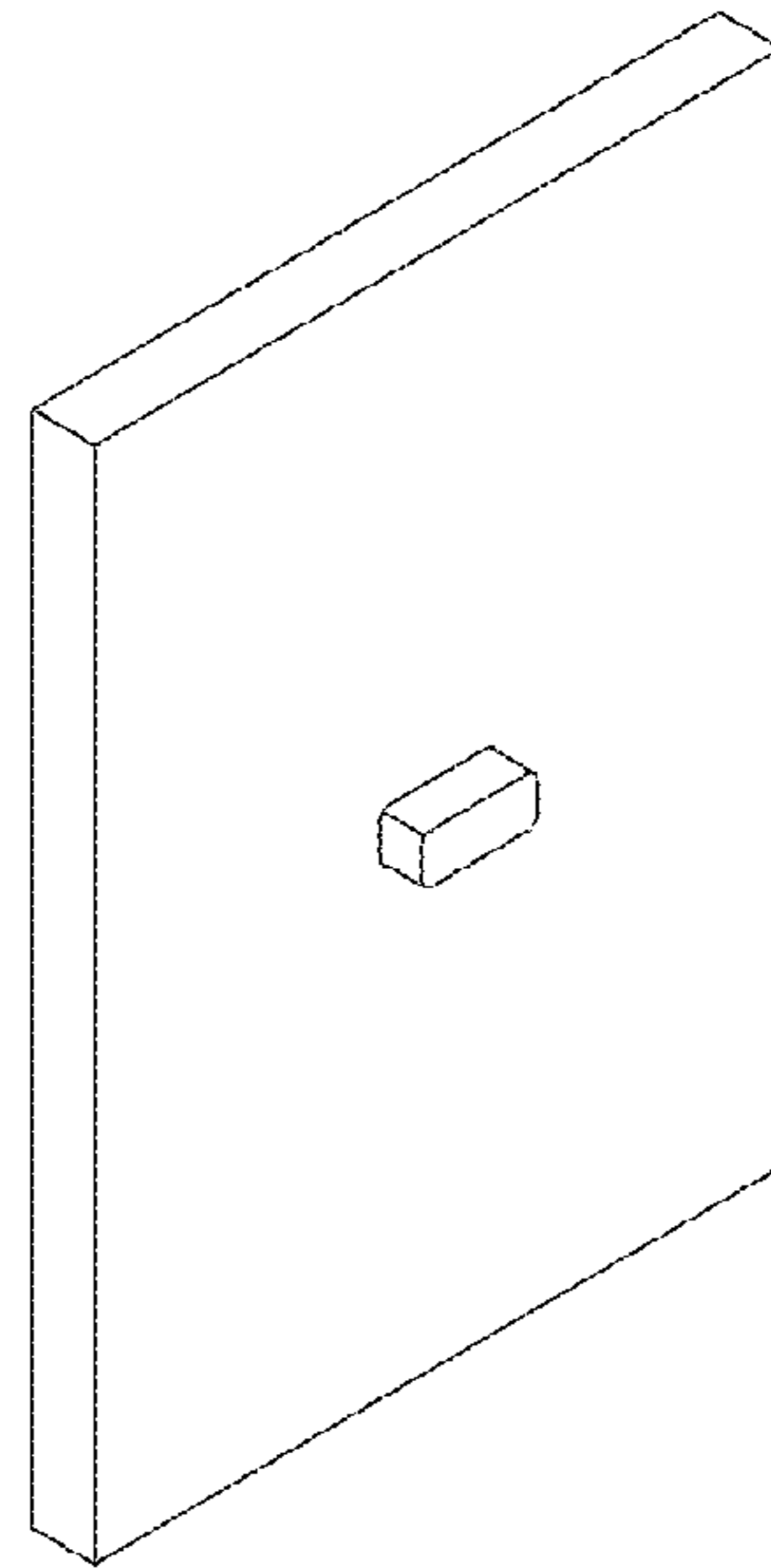


Fig. 2

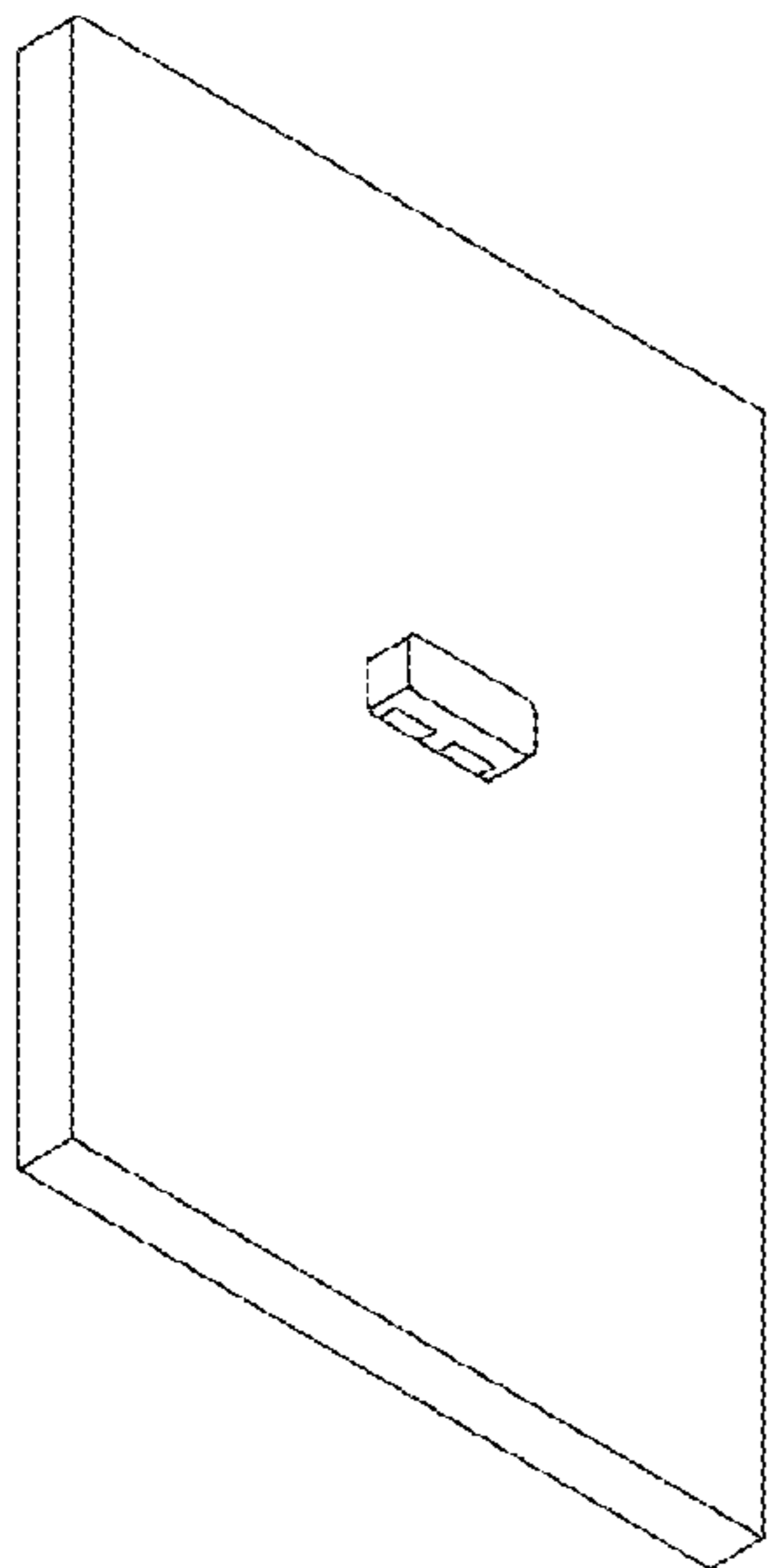


Fig. 3

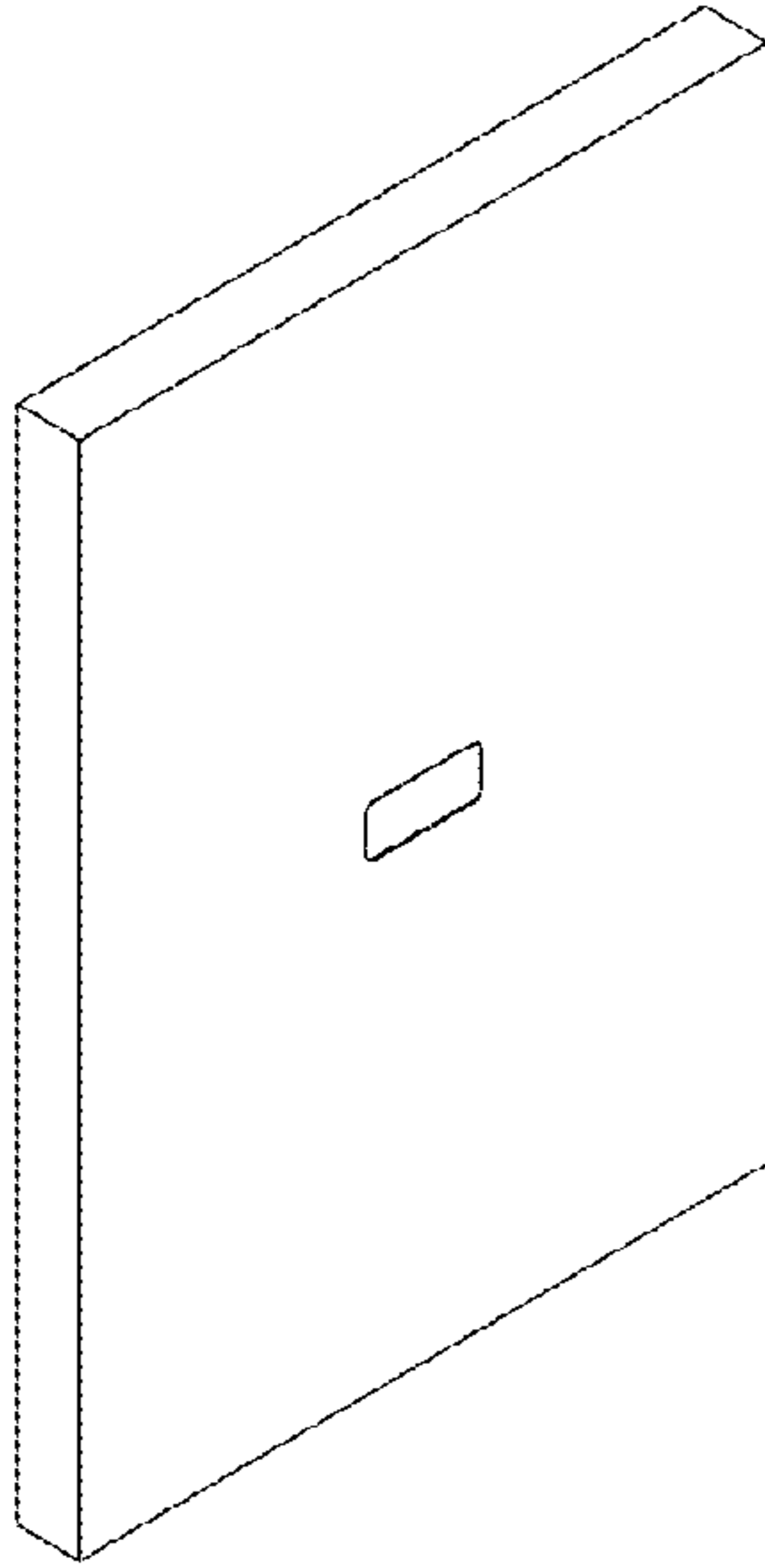


Fig. 4

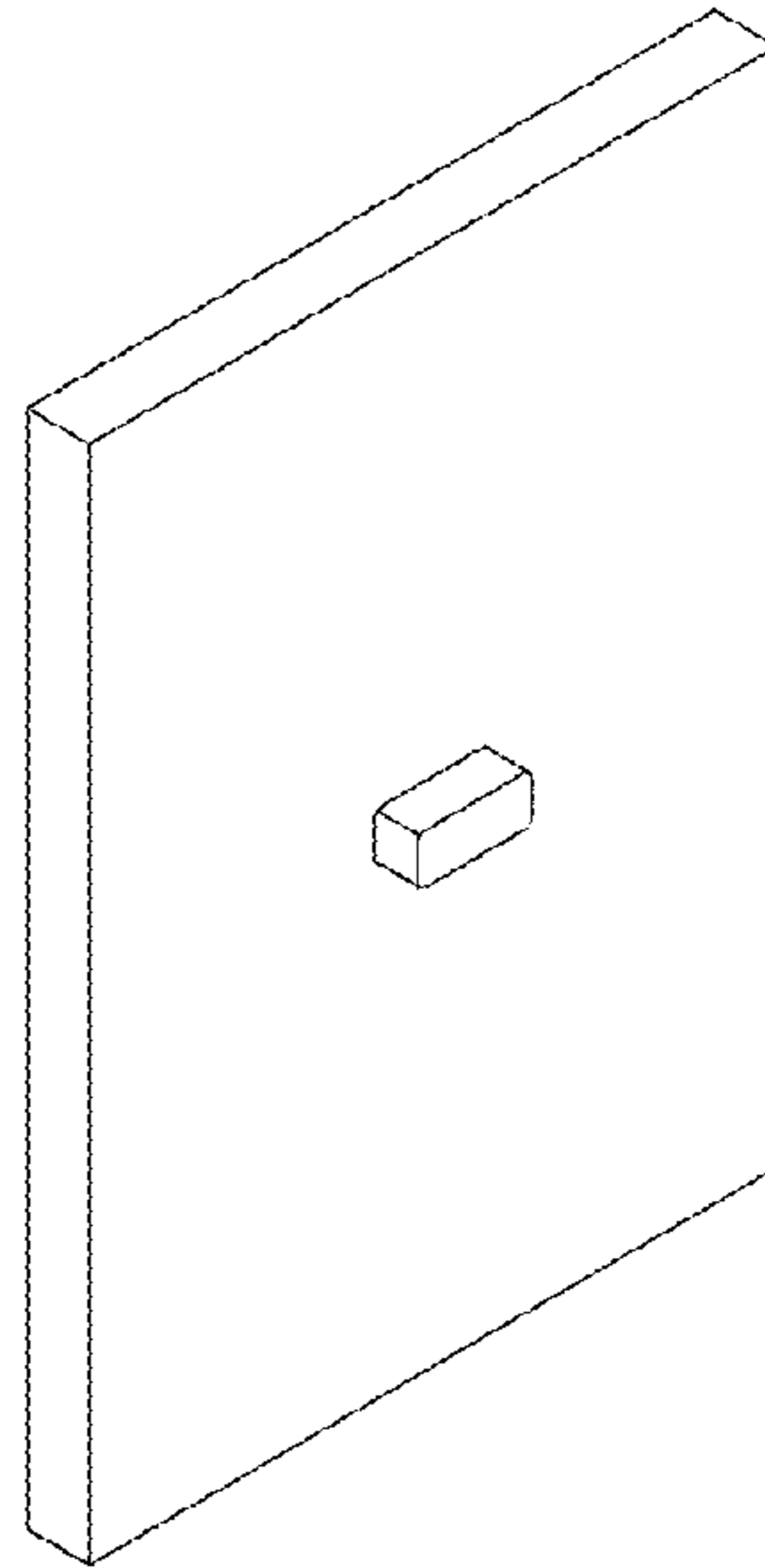


Fig. 5

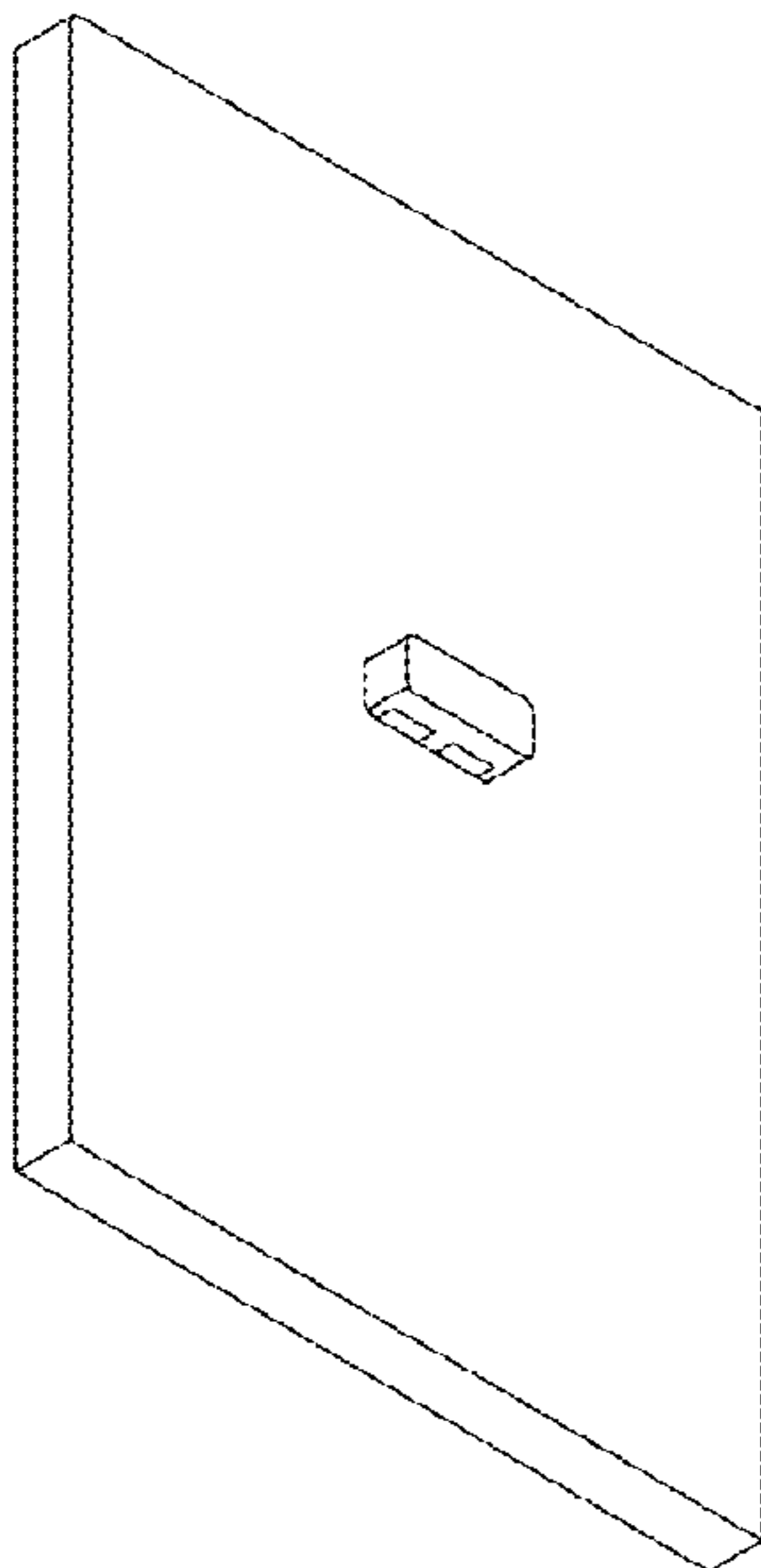


Fig. 6

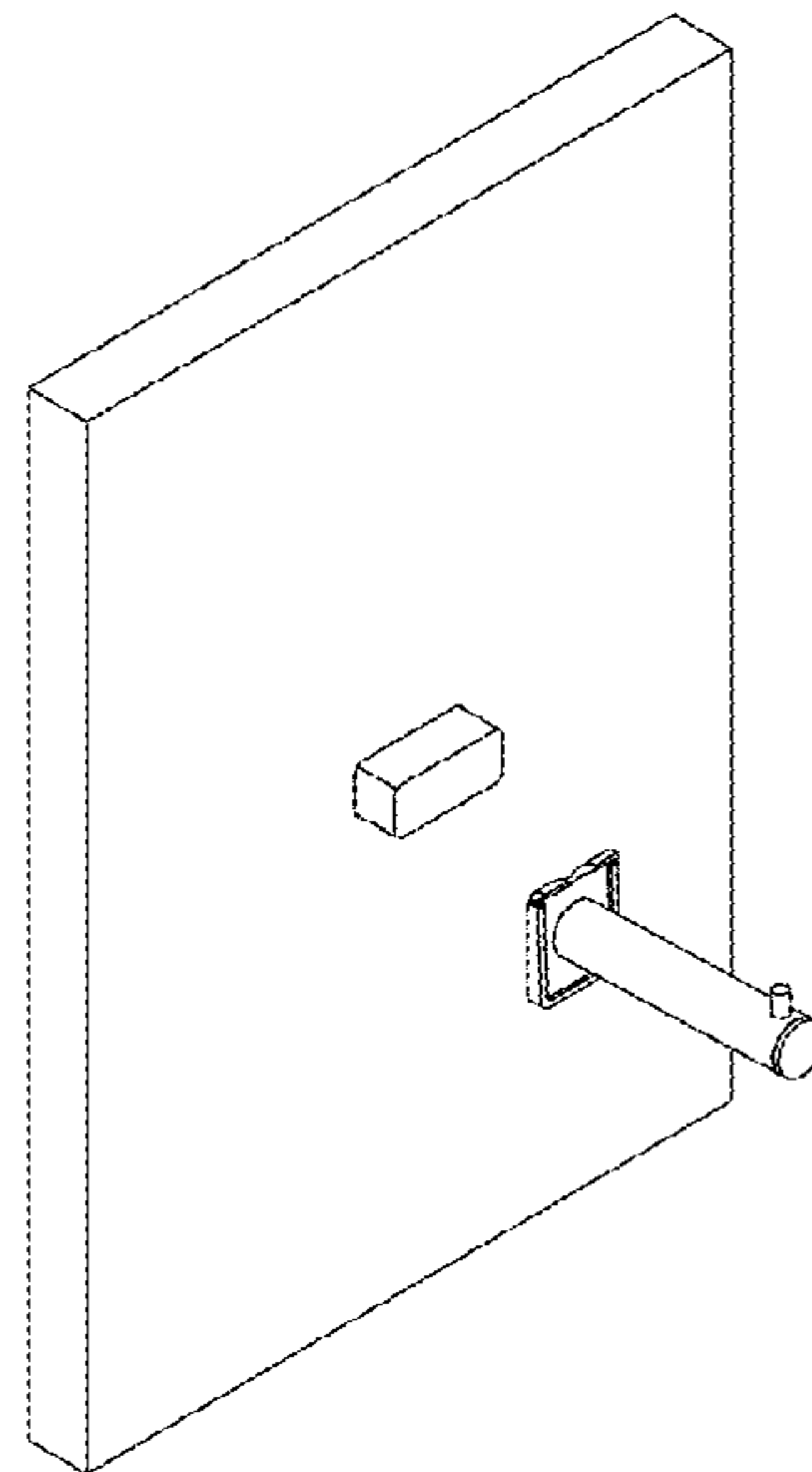


Fig. 7

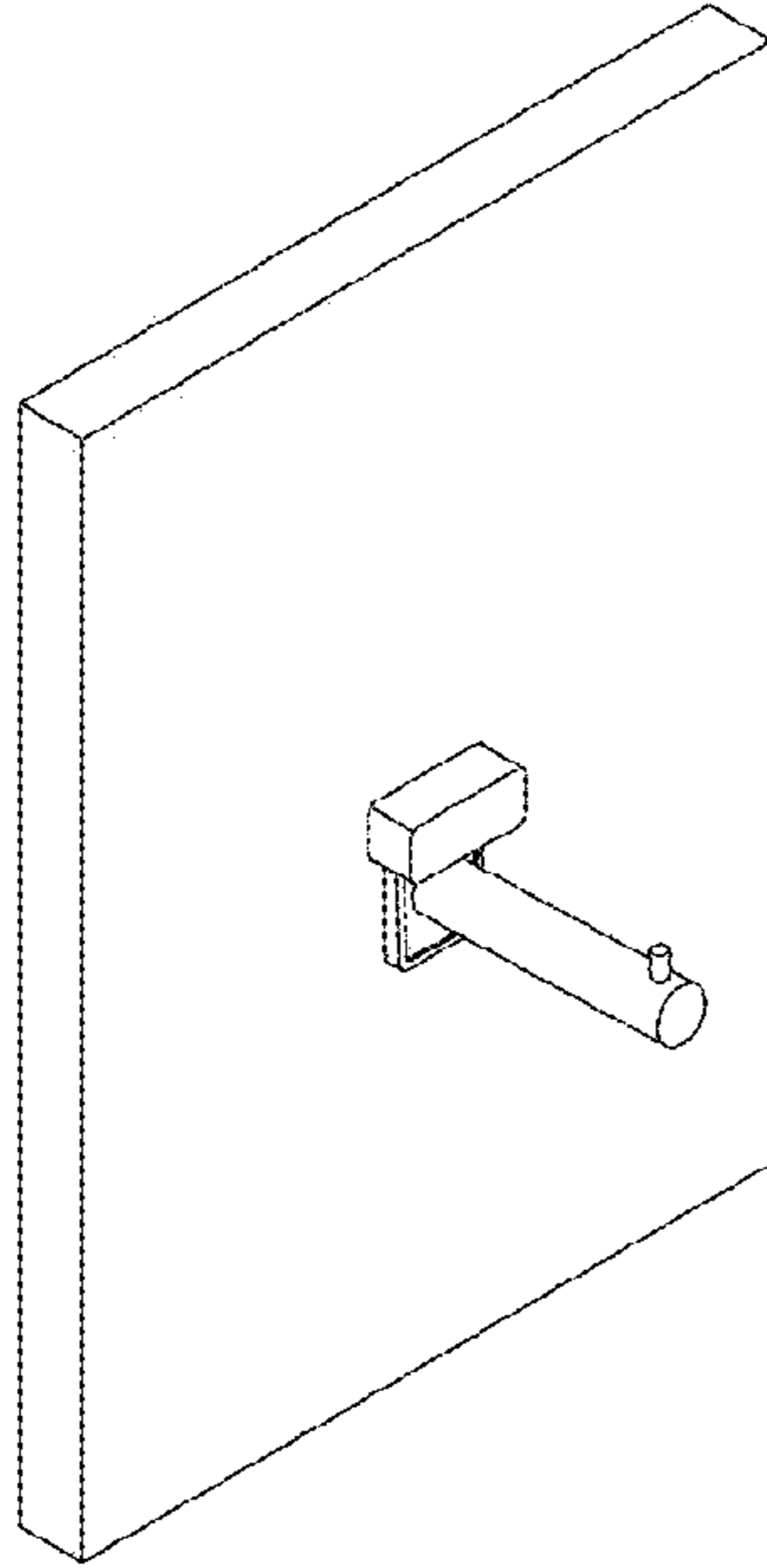


Fig. 8

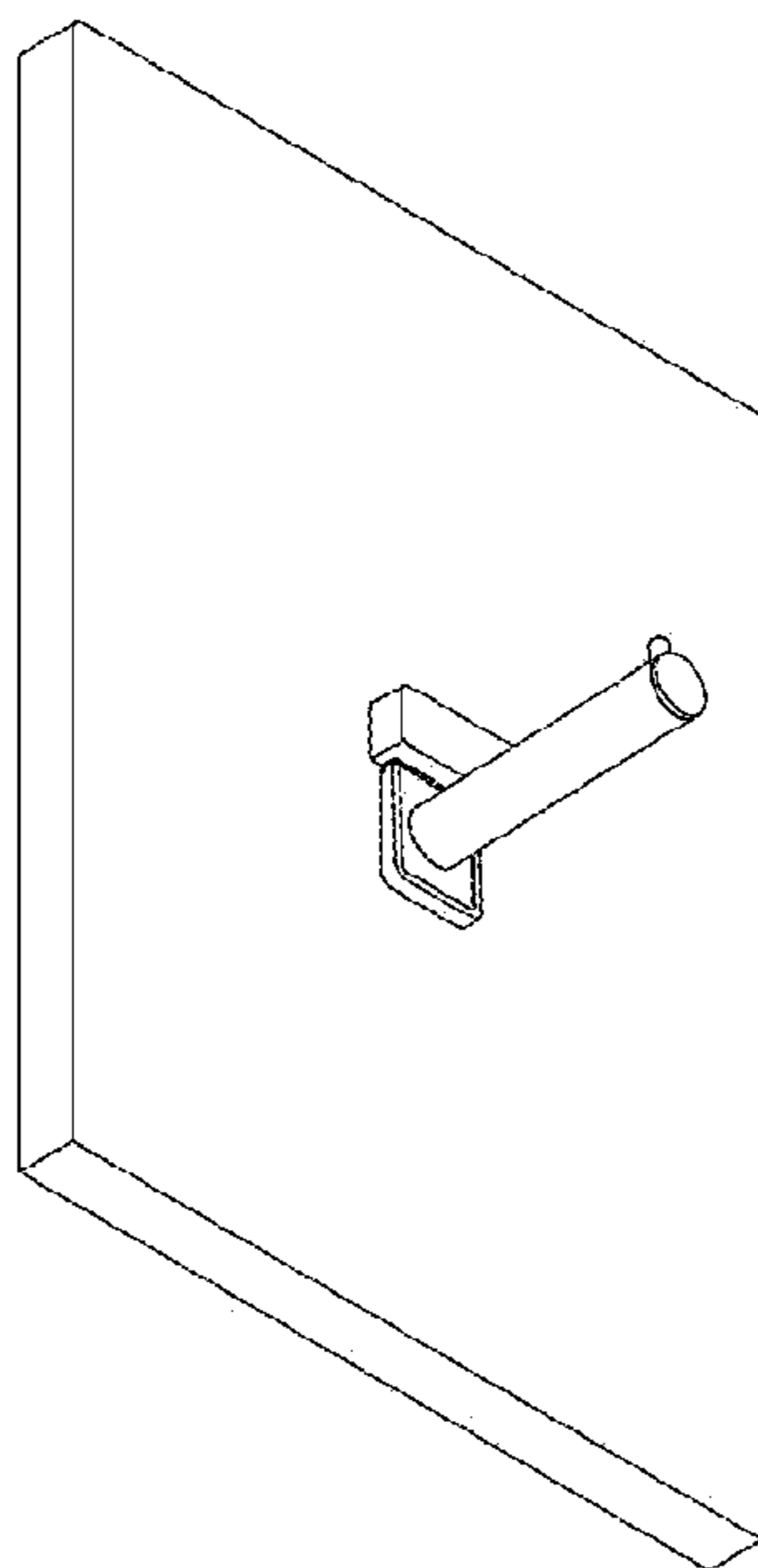


Fig. 9

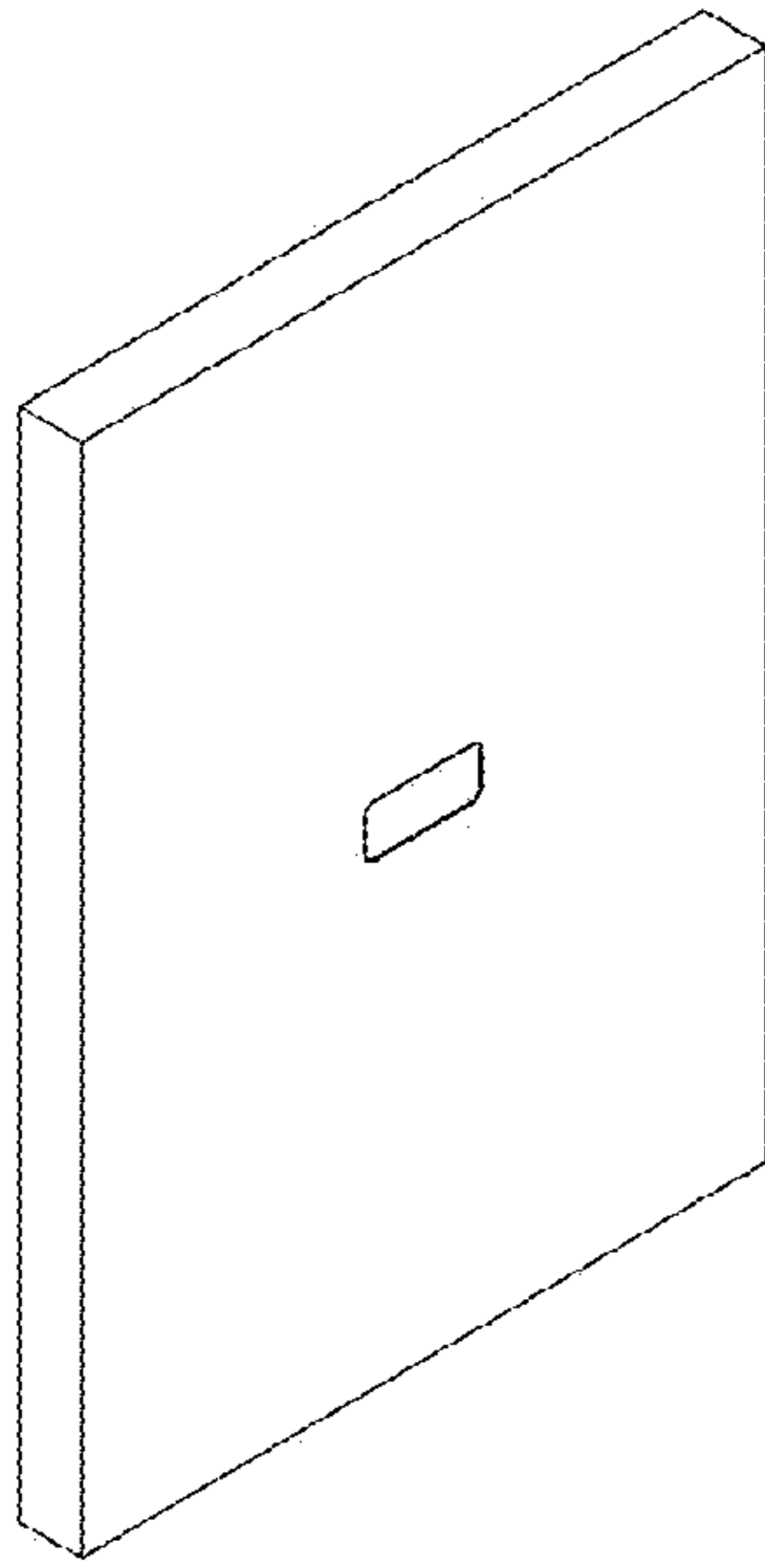


Fig. 10

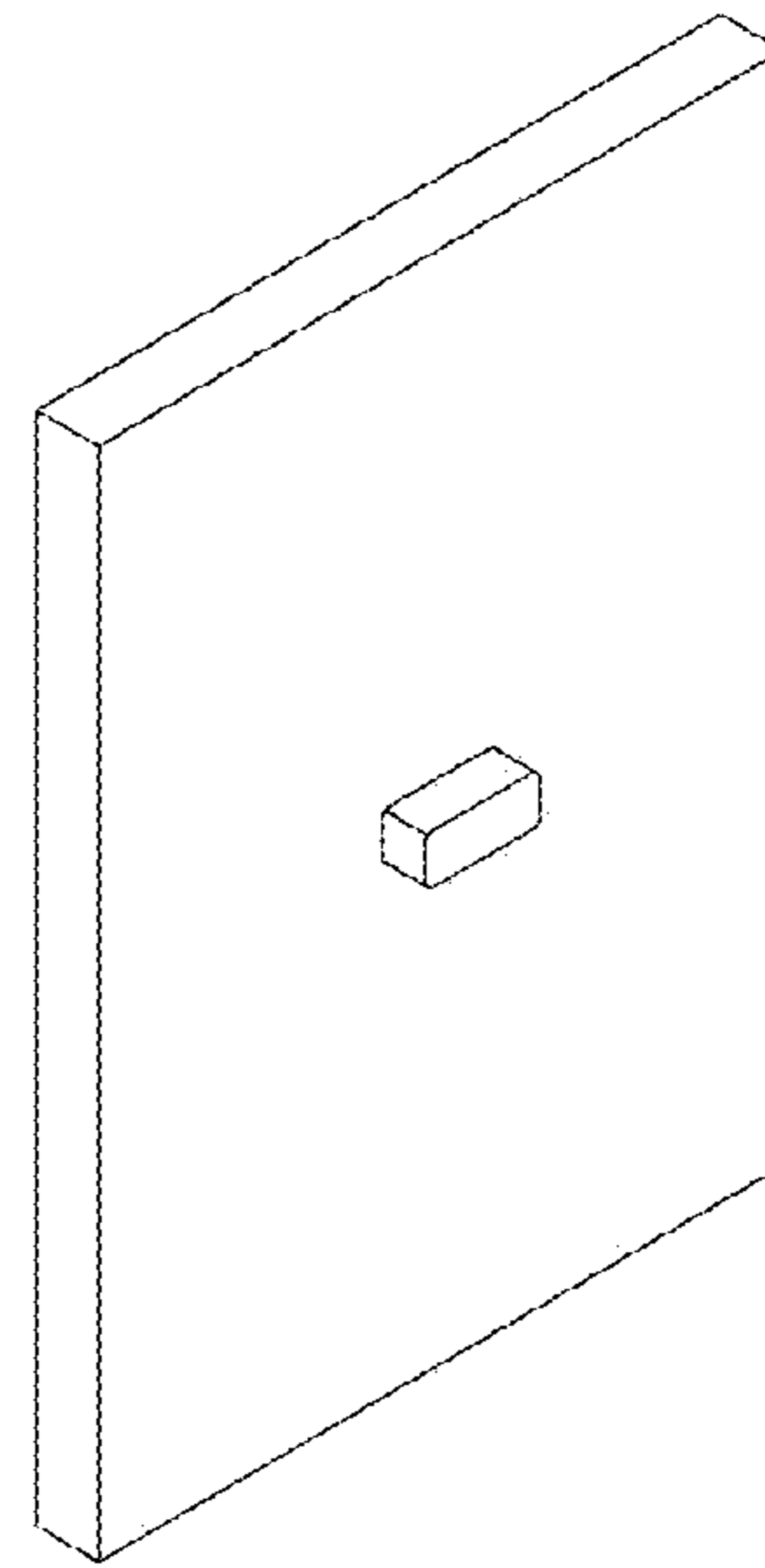


Fig. 11

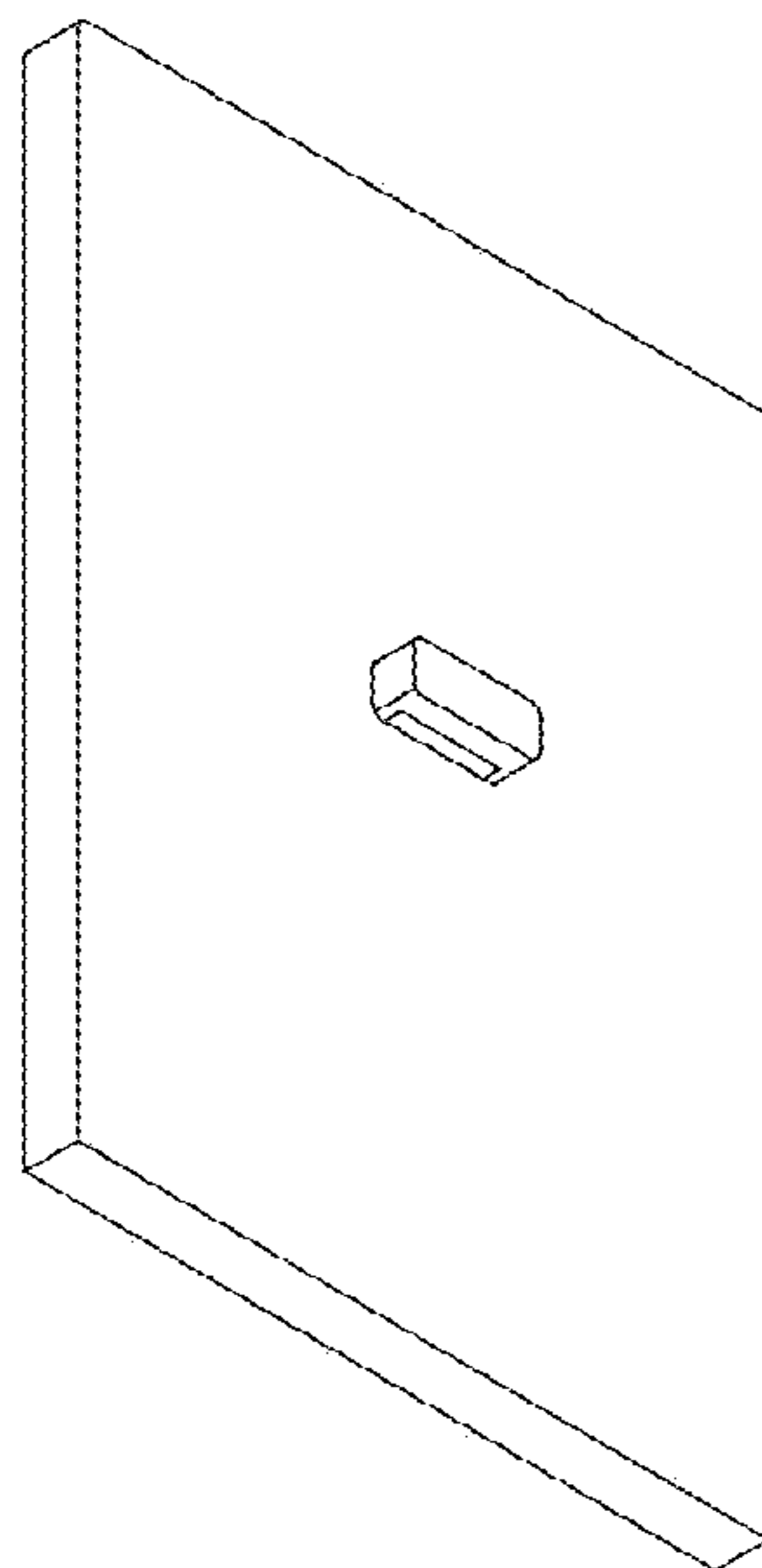


Fig. 12

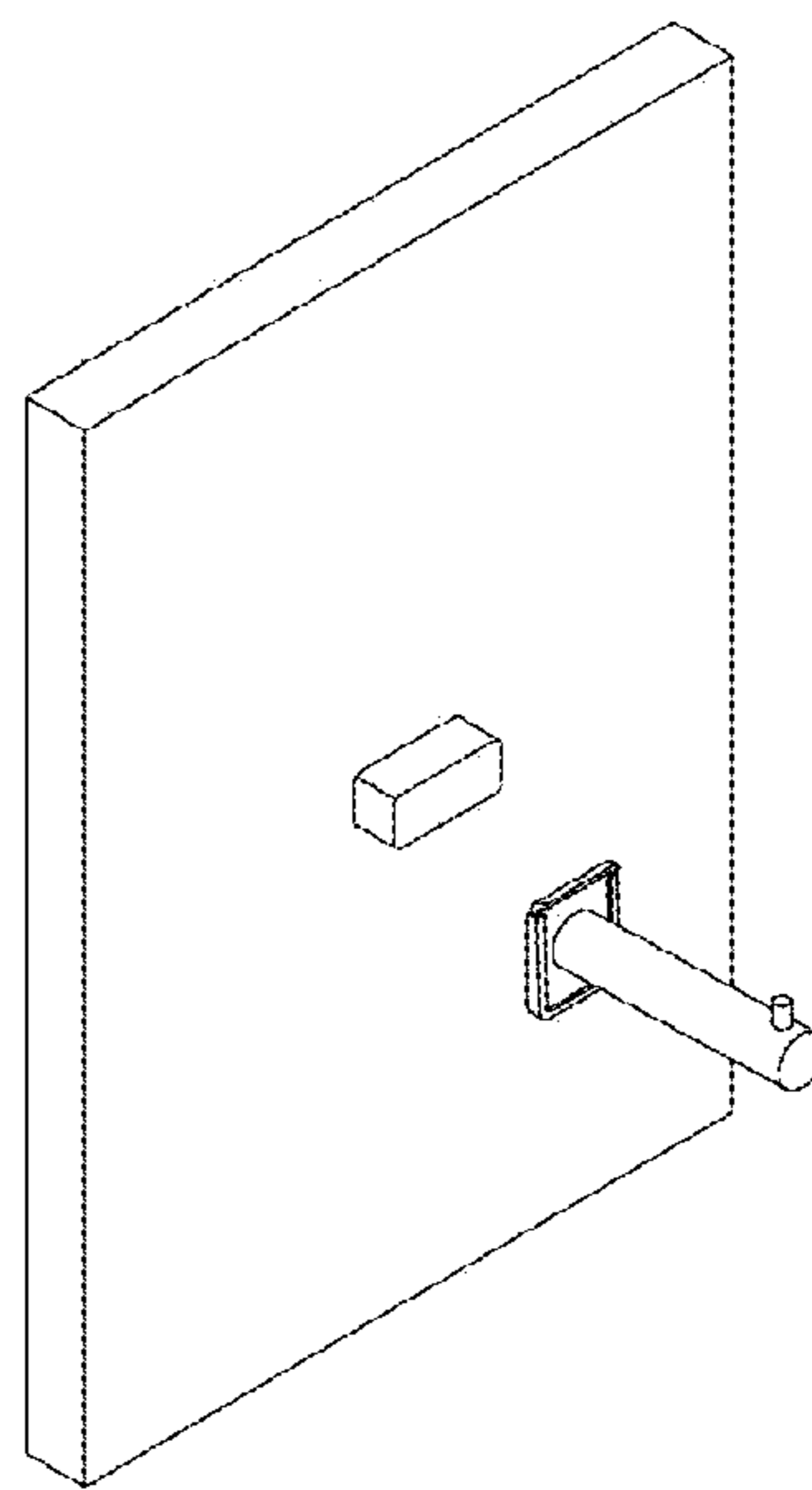


Fig. 13

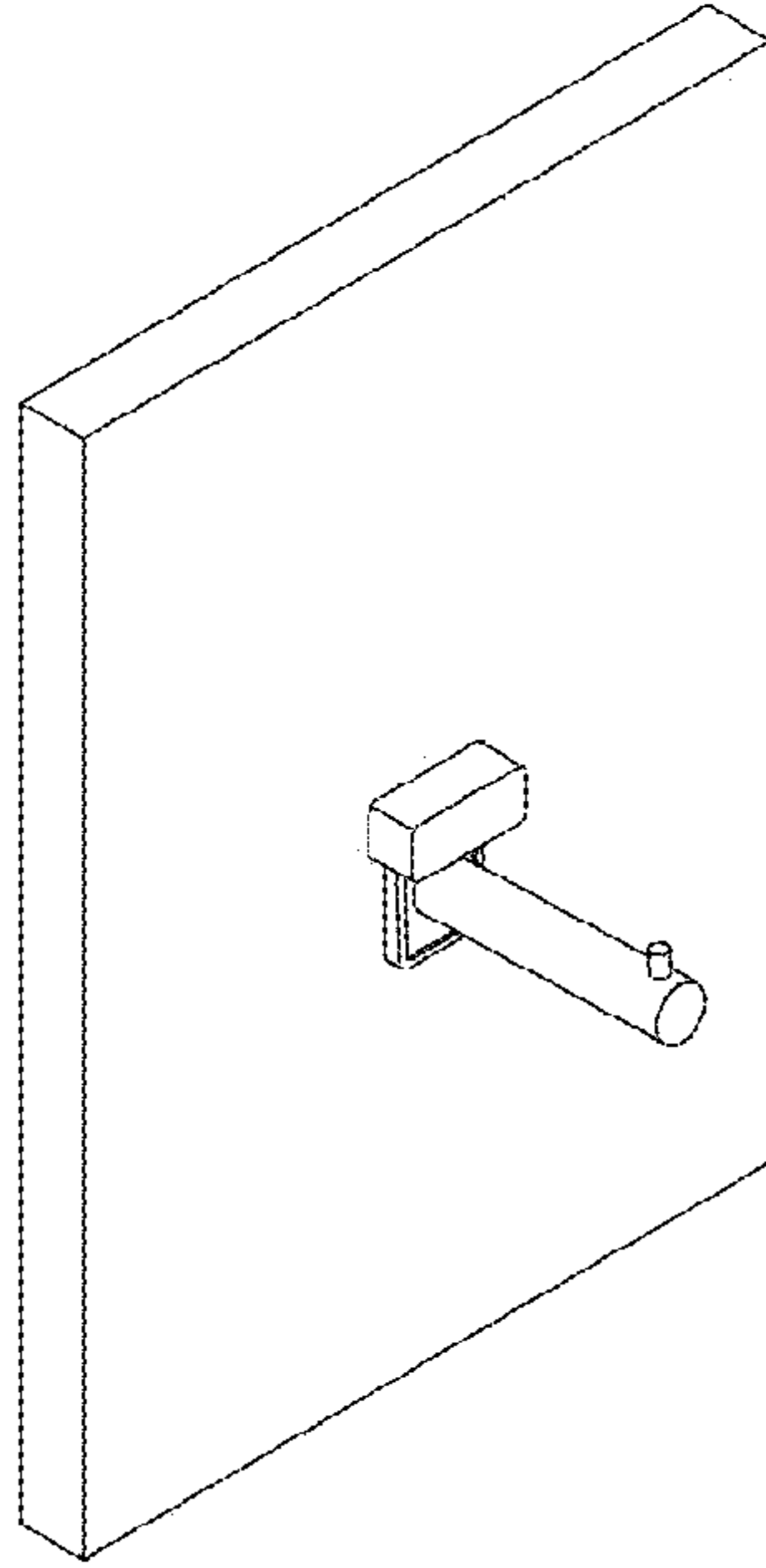


Fig. 14

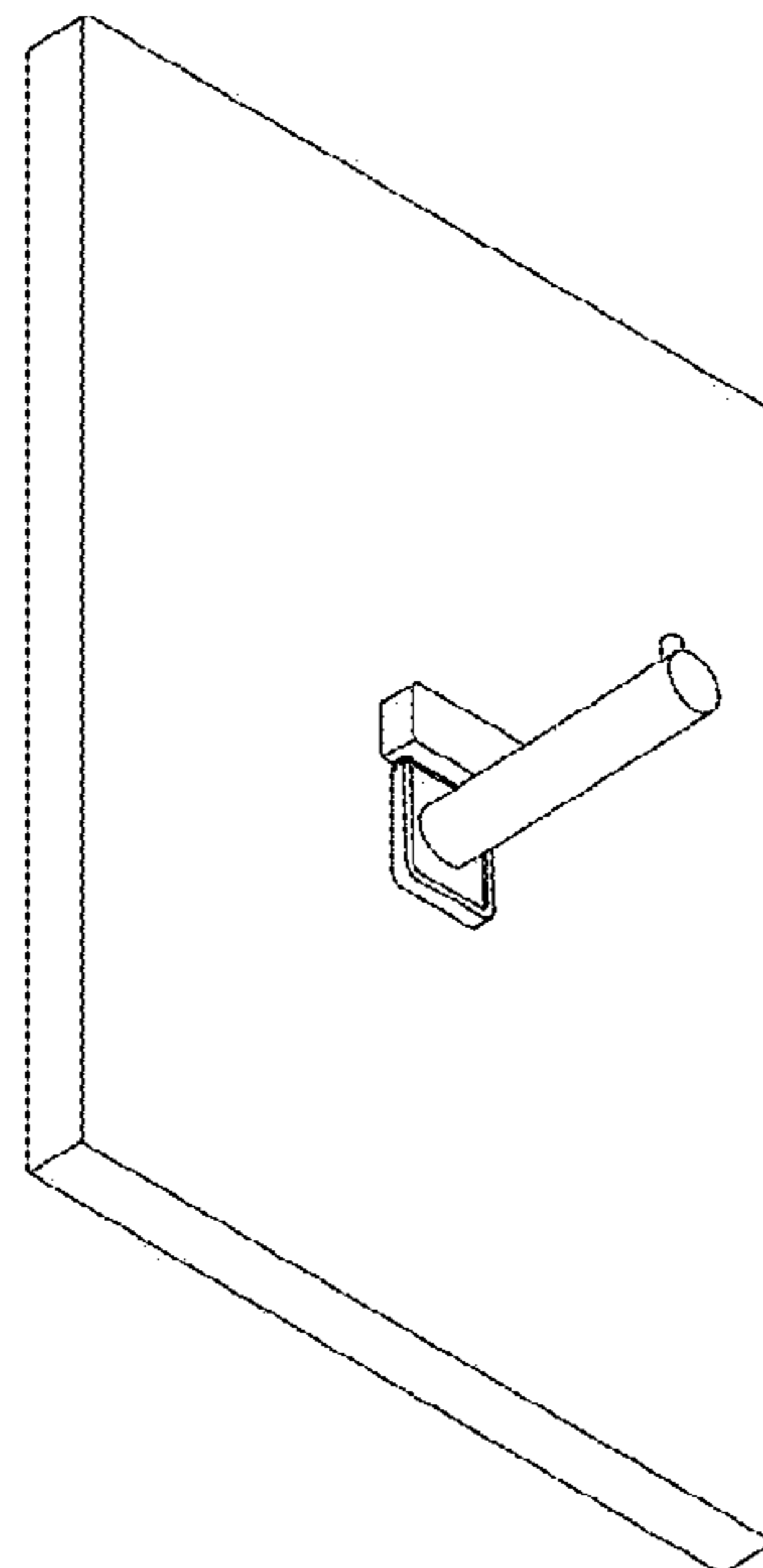


Fig. 15

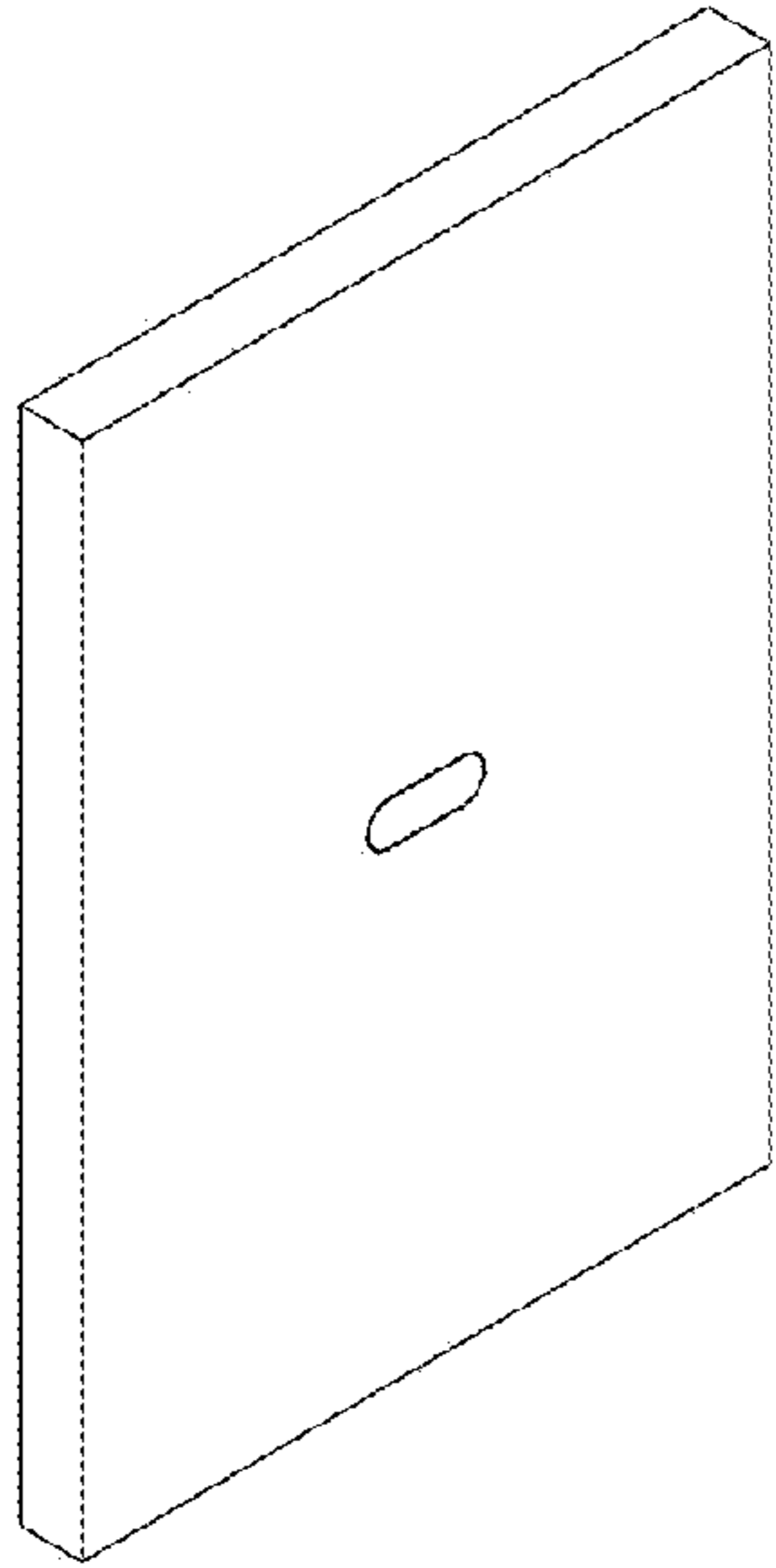


Fig. 16

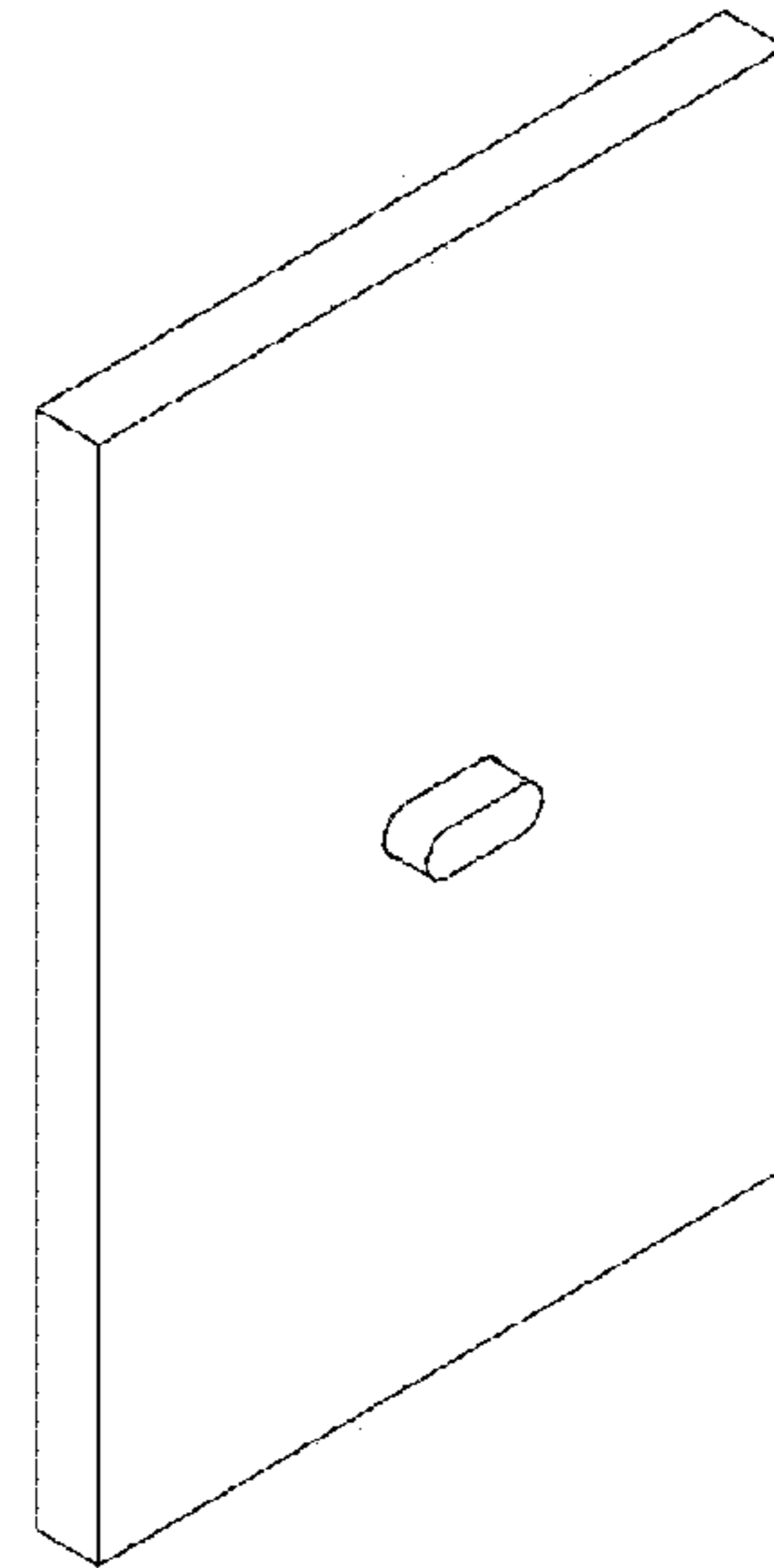


Fig. 17

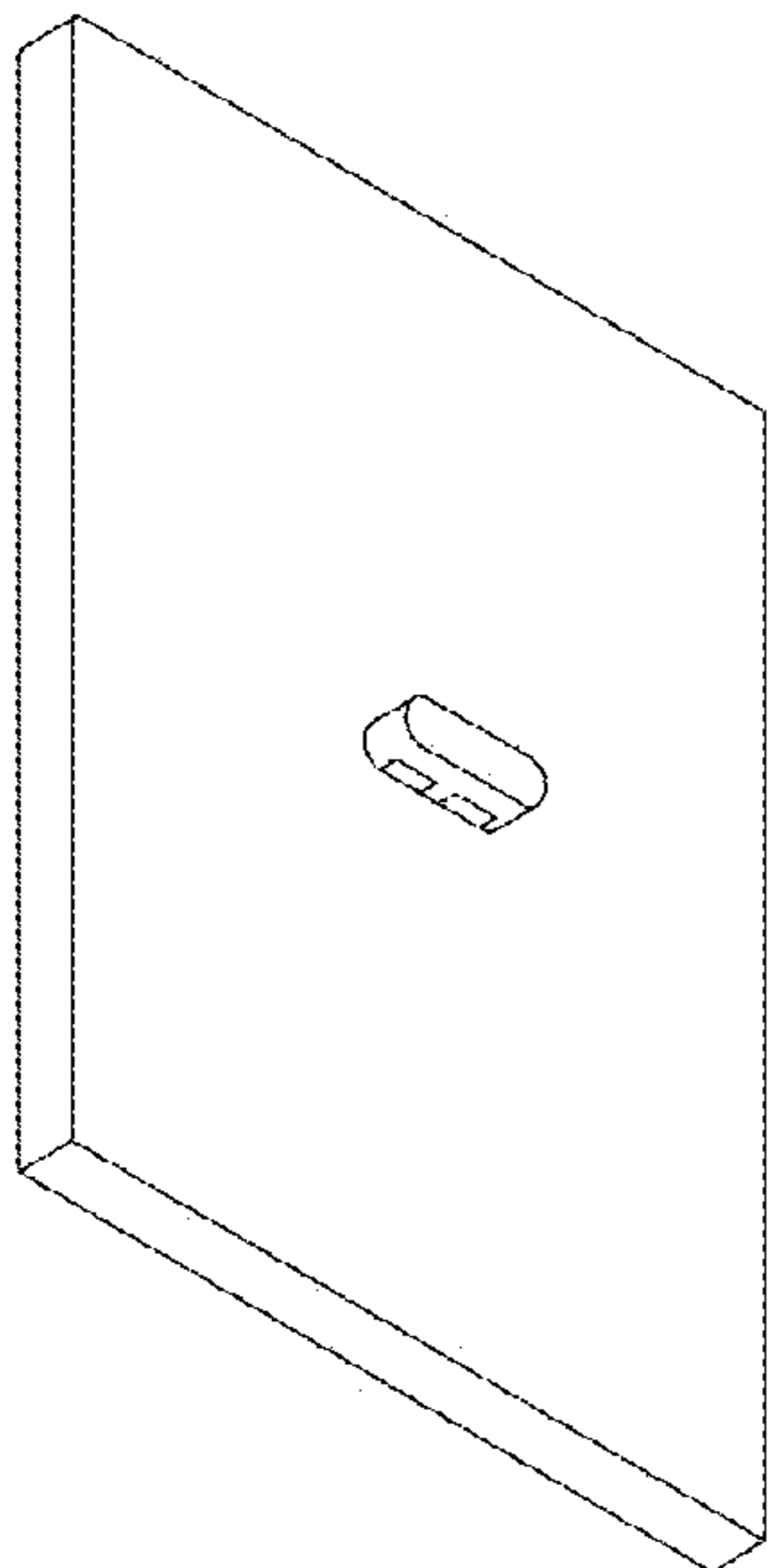


Fig. 18

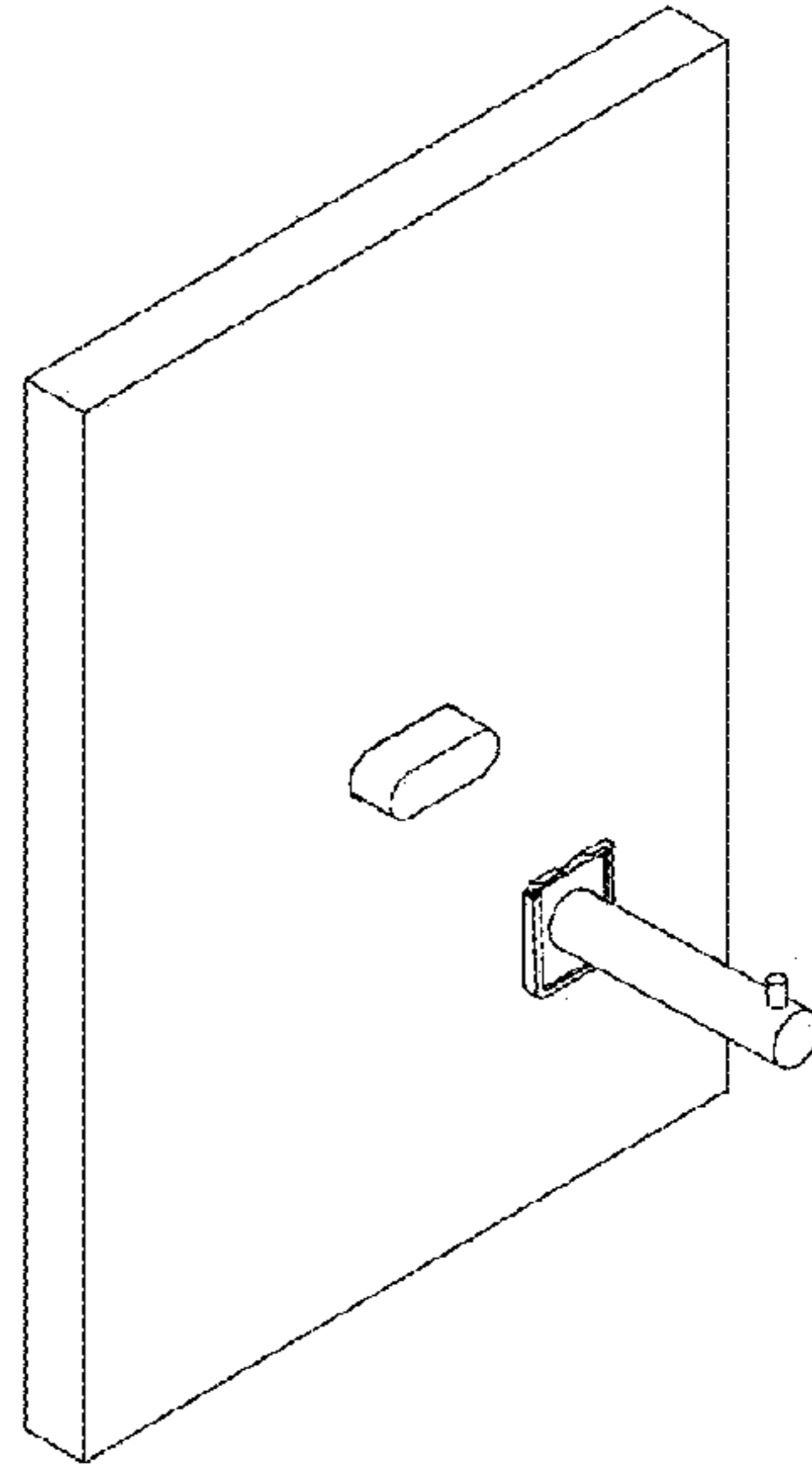


Fig. 19

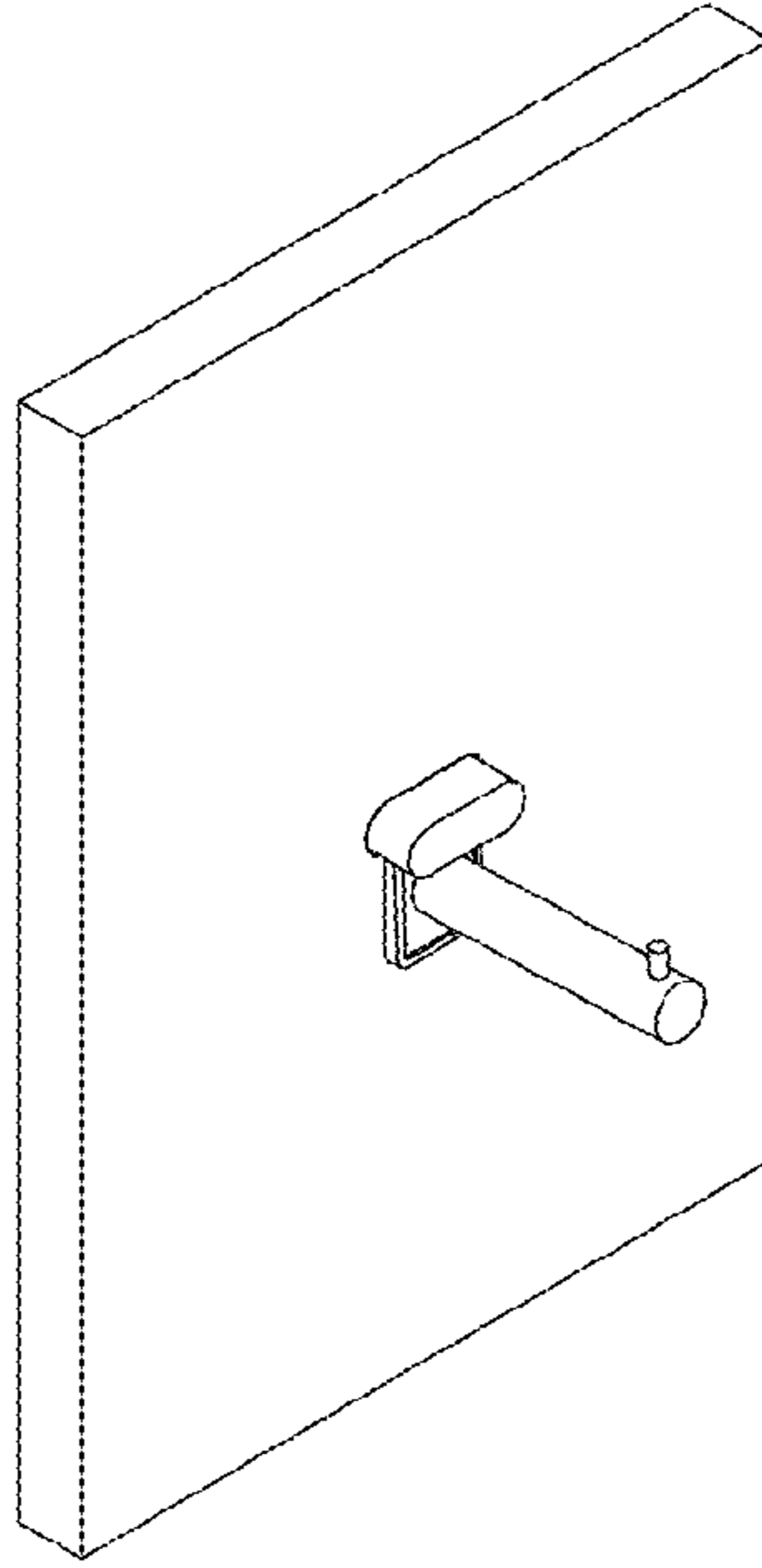


Fig. 20

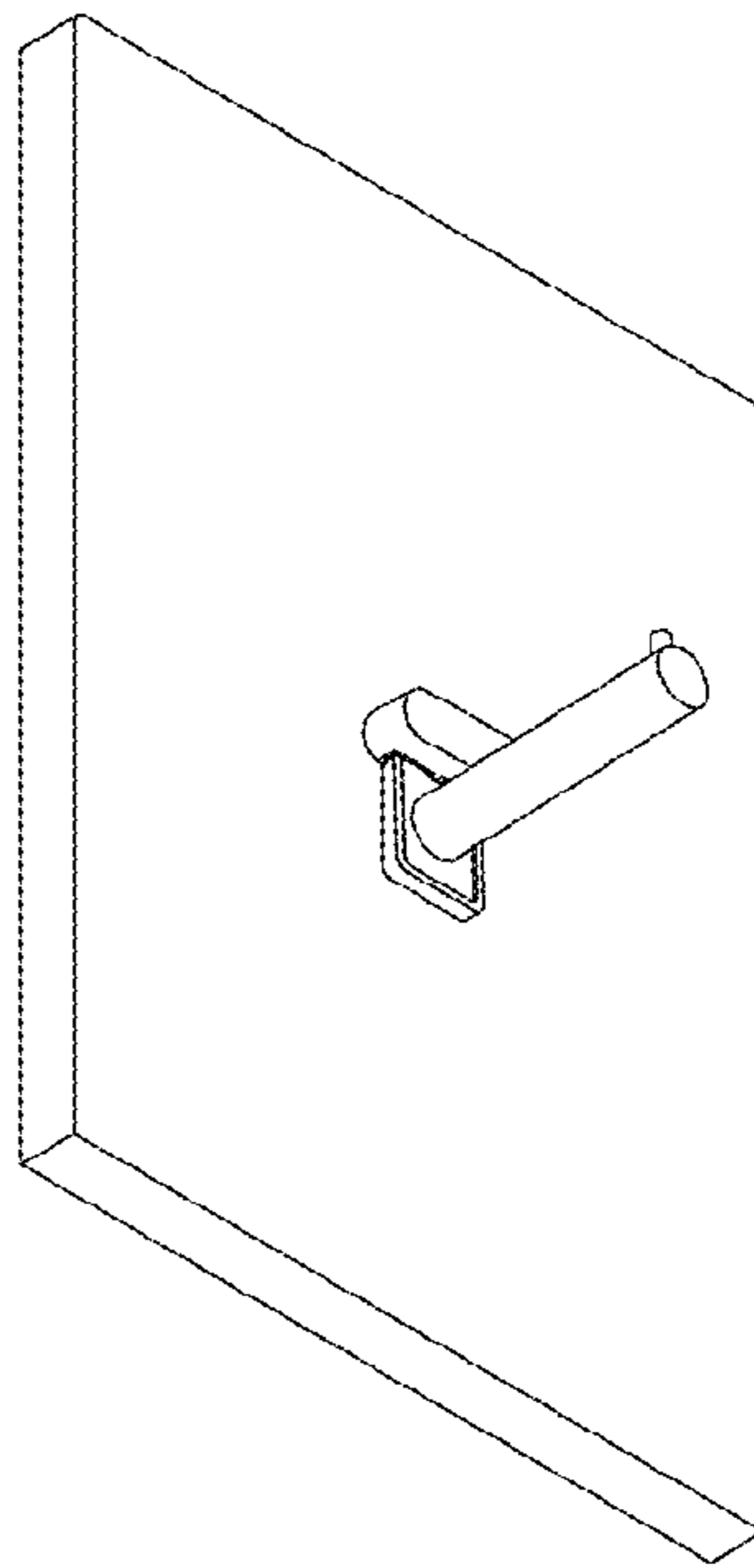


Fig. 21

UNITED STATES PATENT AND TRADEMARK OFFICE
CERTIFICATE OF CORRECTION

PATENT NO. : D756,154 S
APPLICATION NO. : 29/480127
DATED : May 17, 2016
INVENTOR(S) : Herbert Walter

Page 1 of 2

It is certified that error appears in the above-identified patent and that said Letters Patent is hereby corrected as shown below:

On the Title Page

Description should read:

Fig. 1 is a front perspective view from above with display equipment whose button is pushed in, inserted into a panel;

Fig. 2 shows the arrangement of Fig. 1 with the button pushed out;

Fig. 3 shows the arrangement of Fig. 2 from below;

Fig. 4 is a front perspective view from above with display equipment of the second embodiment according to Fig. 1, the button is pushed in, inserted into a panel and intended for combination with a carrying arm designated for being hooked into the button;

Fig. 5 shows the arrangement of Fig. 4 with the button pushed out;

Fig. 6 shows the arrangement of Fig. 5 from below;

Fig. 7 shows the arrangement of Fig. 5 with a carrying arm drawn towards the button;

Fig. 8 shows the arrangement of Fig. 7 with the carrying arm hooked into the button;

Fig. 9 shows the arrangement of Fig. 8 from below;

Fig. 10 is a front perspective view from above with display equipment of a third embodiment essentially identical to Fig. 4, except that the insertion groove is continuous, the button is pushed in, inserted into a panel and intended for combination with a carrying arm designated for being hooked into the button;

Fig. 11 shows the arrangement of Fig. 10 with the button pushed out;

Fig. 12 shows the arrangement of Fig. 11 from below;

Fig. 13 shows the arrangement of Fig. 11 with a carrying arm drawn towards the button;

Fig. 14 shows the arrangement of Fig. 13 with the carrying arm hooked into the button;

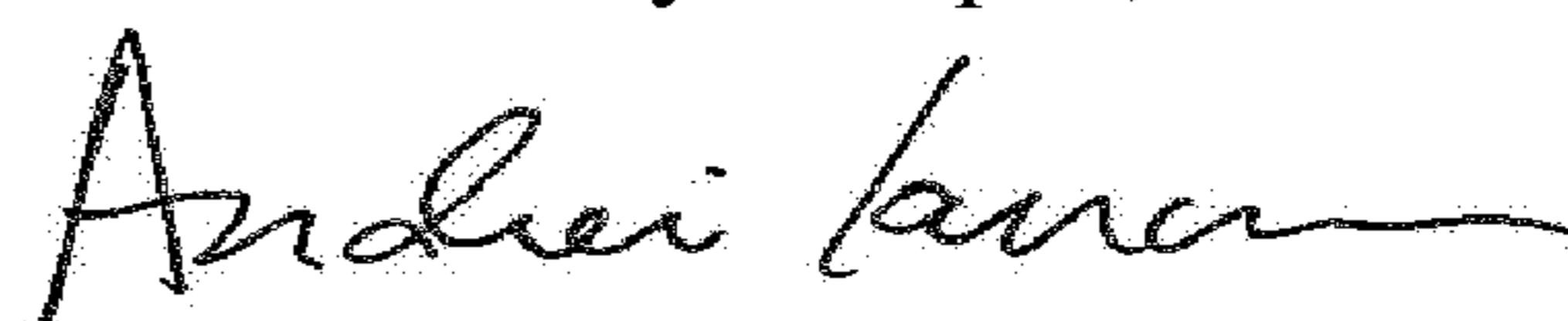
Fig. 15 shows the arrangement of Fig. 14 from below;

Fig. 16 is a front perspective view from above with display equipment of a fourth embodiment essentially identical to Fig. 4, except that the button is of an oval-oblong cross section, the button is pushed in, inserted into a panel and intended for combination with a carrying arm designated for being hooked into the button;

Fig. 17 shows the arrangement of Fig. 16 with the button pushed out;

Fig. 18 shows the arrangement of Fig. 17 from below;

Signed and Sealed this
Tenth Day of April, 2018



Andrei Iancu

Director of the United States Patent and Trademark Office

Fig. 19 shows the arrangement of Fig. 17 with a carrying arm drawn towards the button;
Fig. 20 shows the arrangement of Fig. 19 with the carrying arm hooked into the button;
Fig. 21 shows the arrangement of Fig. 20 from below.