

US00D756152S

(12) **United States Design Patent**
Schwalbach et al.

(10) **Patent No.:** **US D756,152 S**
(45) **Date of Patent:** **** May 17, 2016**

- (54) **DISPLAY STAND COMPONENT**
- (71) Applicant: **Apple Inc.**, Cupertino, CA (US)
- (72) Inventors: **Charles A. Schwalbach**, Menlo Park, CA (US); **Sheng Yang**, Mountain View, CA (US); **Russell John Kaaihue Heirakuji**, Cupertino, CA (US); **Carly Lynn Marasco**, Los Gatos, CA (US); **Michael Gorman**, Dublin, CA (US)
- (73) Assignee: **Apple Inc.**, Cupertino, CA (US)
- (**) Term: **15 Years**
- (21) Appl. No.: **29/537,088**
- (22) Filed: **Aug. 21, 2015**

D367,408 S *	2/1996	Fordyce	D19/77
D393,959 S *	5/1998	Geier	D6/678
D407,408 S	3/1999	Hoff		
D446,043 S *	8/2001	Stoppenhagen	D6/677
6,476,717 B1	11/2002	Gross		
D490,559 S	5/2004	Small		
D510,358 S	10/2005	Ezure		
7,209,038 B1	4/2007	Deconinck		
D542,279 S	5/2007	Chan		
D545,826 S	7/2007	Richter		
D589,962 S	4/2009	Maruyama		
D590,184 S	4/2009	Barabas		
D599,241 S	9/2009	Andre		
D608,718 S	1/2010	Nas et al.		
D612,837 S	3/2010	Murray		
7,724,135 B2	5/2010	Rapp		
D617,383 S *	6/2010	Yoon	D19/85
7,740,214 B2	6/2010	Marsilio		
7,748,669 B2	7/2010	Lu		

(Continued)

Related U.S. Application Data

- (63) Continuation of application No. 29/507,269, filed on Oct. 24, 2014, now Pat. No. Des. 737,081.
- (51) **LOC (10) Cl.** **06-06**
- (52) **U.S. Cl.**
USPC **D6/677.4**
- (58) **Field of Classification Search**
USPC D6/672, 673, 677, 677.4; D14/203.8, D14/204-205, 216, 217, 224, 24.1, 228, D14/229, 240; D3/328
CPC A45F 2005/002; A45F 5/00; A45F 2200/0508; A45F 2200/0525
See application file for complete search history.

References Cited

U.S. PATENT DOCUMENTS

D214,768 S *	7/1969	Hillis	D19/23
D244,857 S	6/1977	Hayes		
D250,801 S *	1/1979	Bergen	D6/661.3
D268,743 S *	4/1983	Lubin	D11/131
D314,501 S	2/1991	Pagano		

Primary Examiner — Kelley Donnelly

(74) *Attorney, Agent, or Firm* — Sterne, Kessler, Goldstein & Fox P.L.L.C.

(57) **CLAIM**

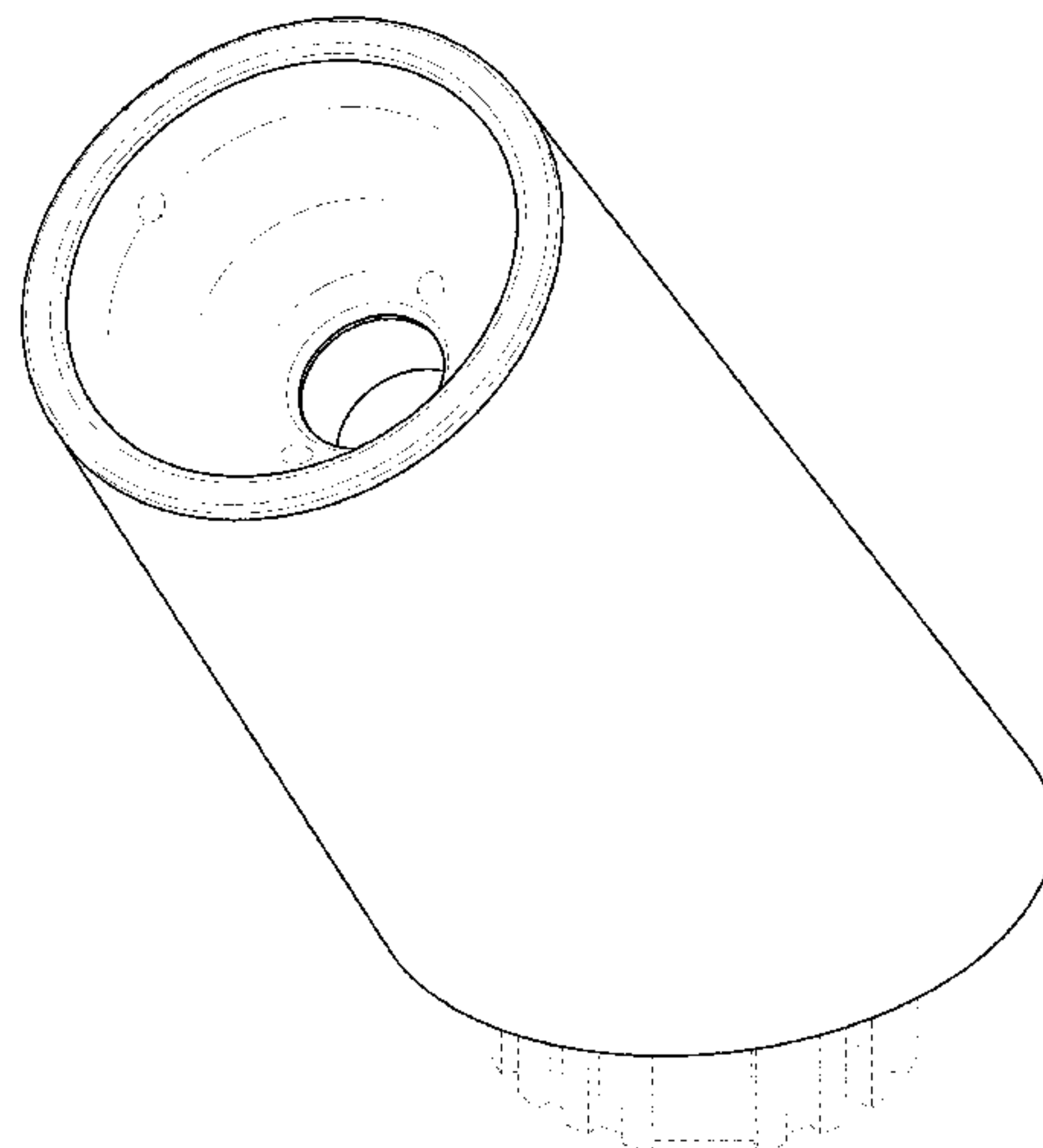
The ornamental design for a display stand component, as shown and described.

DESCRIPTION

FIG. 1 is a top front perspective view of a display stand component showing our new design;
 FIG. 2 is a front view thereof;
 FIG. 3 is a rear view thereof;
 FIG. 4 is a left side view thereof;
 FIG. 5 is a right side view thereof;
 FIG. 6 is a top view thereof; and,
 FIG. 7 is a bottom view thereof.

The broken lines in the Figures show portions of the display stand component that form no part of the claimed design.
 The shade lines in the Figures show contour and not surface ornamentation.

1 Claim, 7 Drawing Sheets



(56)

References Cited

U.S. PATENT DOCUMENTS

D628,203 S	11/2010	Noble	D709,066 S	7/2014	Byun	
D629,405 S	12/2010	Crysell	D709,357 S	7/2014	Bell	
D641,610 S	7/2011	Sedalo	D709,607 S	7/2014	Wang	
D645,047 S	9/2011	Wike	D729,043 S	5/2015	Poppell	
8,020,816 B2	9/2011	Laitila	D733,967 S *	7/2015	Schlatter	D28/85
D652,422 S	1/2012	Cheng	D741,093 S *	10/2015	McKinney	D6/677
8,087,625 B2	1/2012	Chang	D744,621 S *	12/2015	Shavatt	D23/304
8,145,821 B2	3/2012	Mead	2006/0198692 A1 *	9/2006	Petit	A45D 33/025
D663,972 S	7/2012	Alexander				401/266
D673,960 S	1/2013	Lindfield et al.	2009/0218240 A1 *	9/2009	Allen	A45V 7/0031
D682,814 S	5/2013	Kadivar et al.				206/214
D685,253 S	7/2013	Hiebert	2011/0047844 A1	3/2011	Fawcett	
D687,440 S	8/2013	Shieh	2011/0068919 A1	3/2011	Rapp	
D696,259 S	12/2013	Howarth	2011/0084838 A1	4/2011	Fawcett	
D696,674 S	12/2013	Vogel	2011/0187531 A1	8/2011	Oehl	
D703,657 S	4/2014	Carnevali	2012/0188082 A1	7/2012	Berglund	
D704,199 S	5/2014	Byun	2012/0280810 A1	11/2012	Wheeler	
			2014/0106608 A1	4/2014	Howarth	
			2015/0021458 A1 *	1/2015	Zorovich	B29C 33/0038
						249/134

* cited by examiner

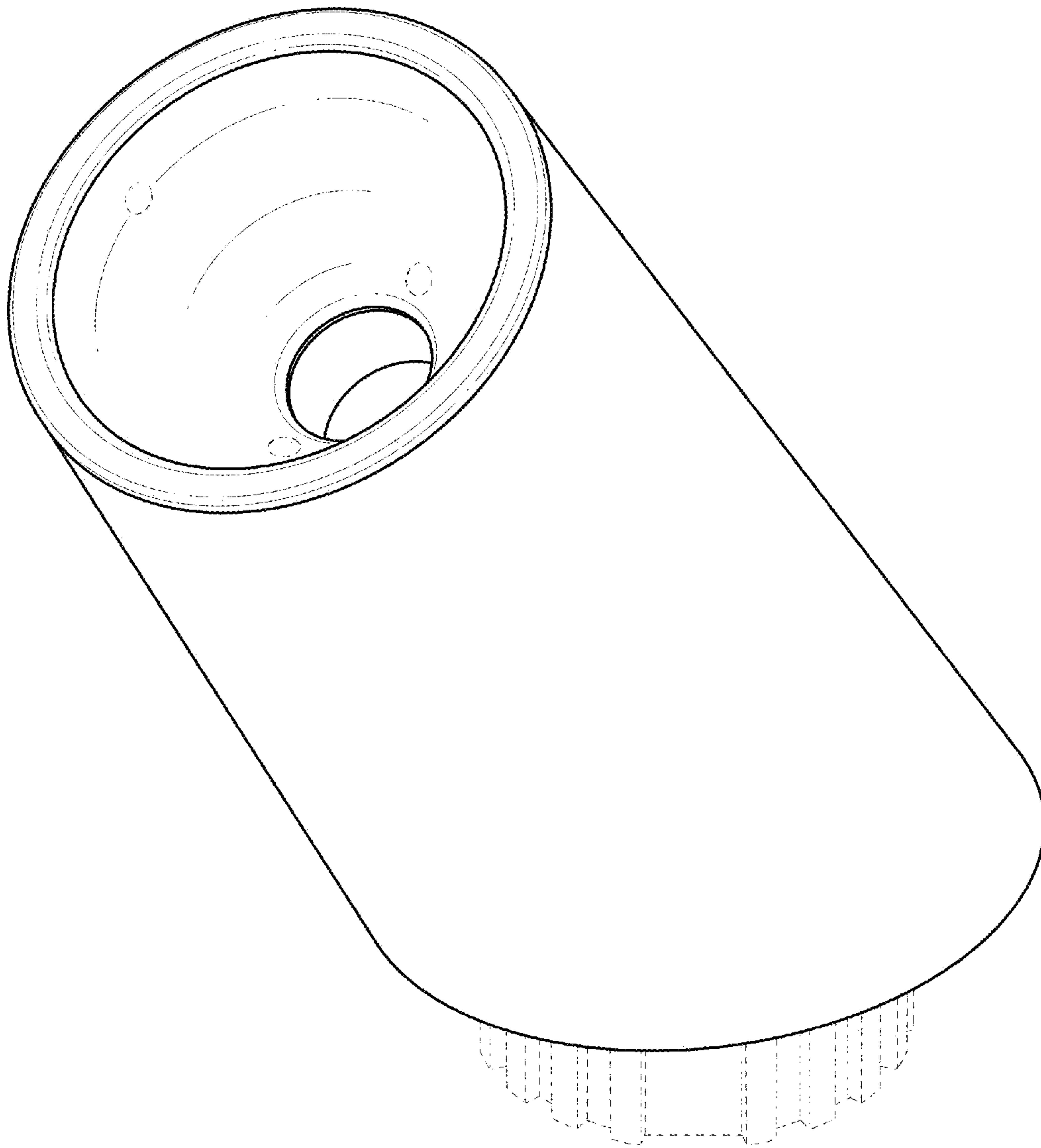


FIG. 1

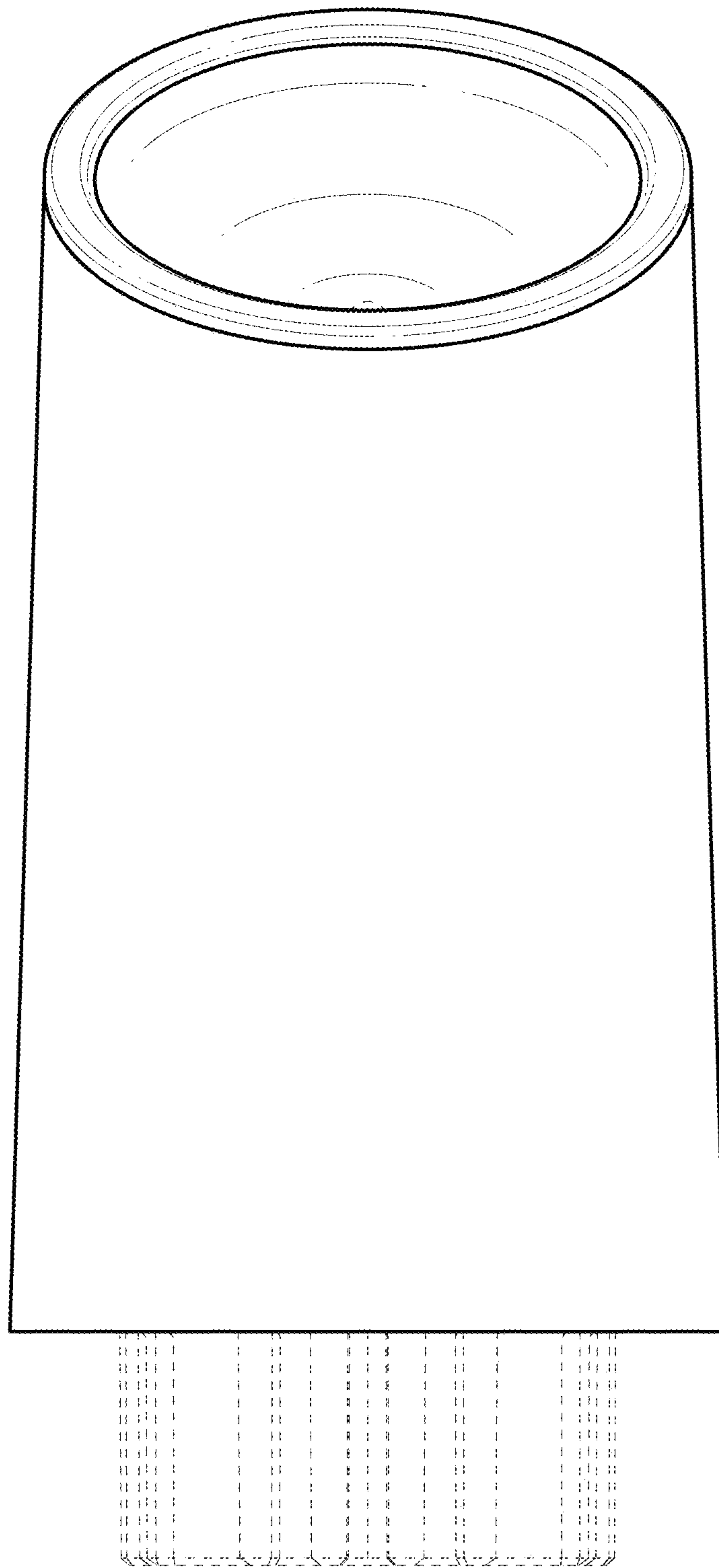


FIG. 2

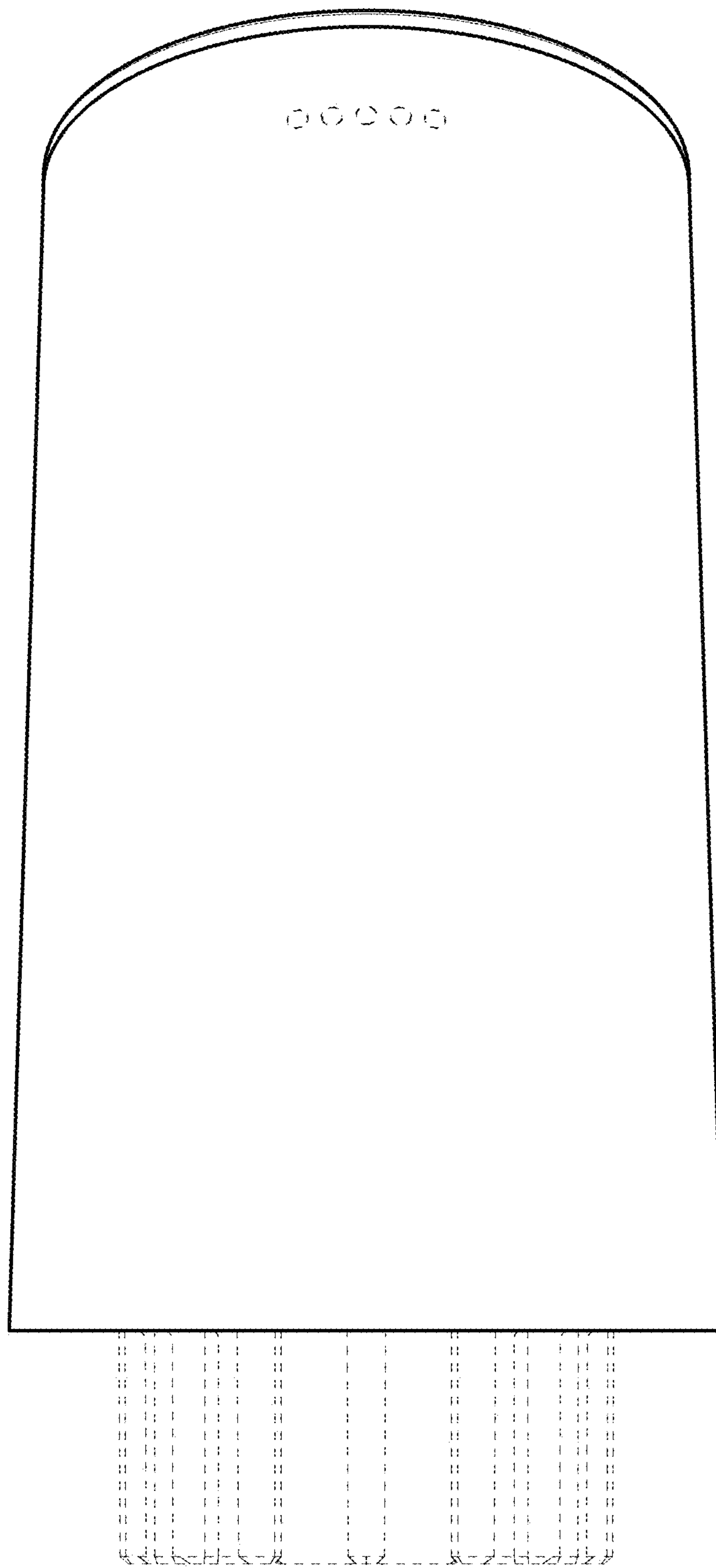


FIG. 3

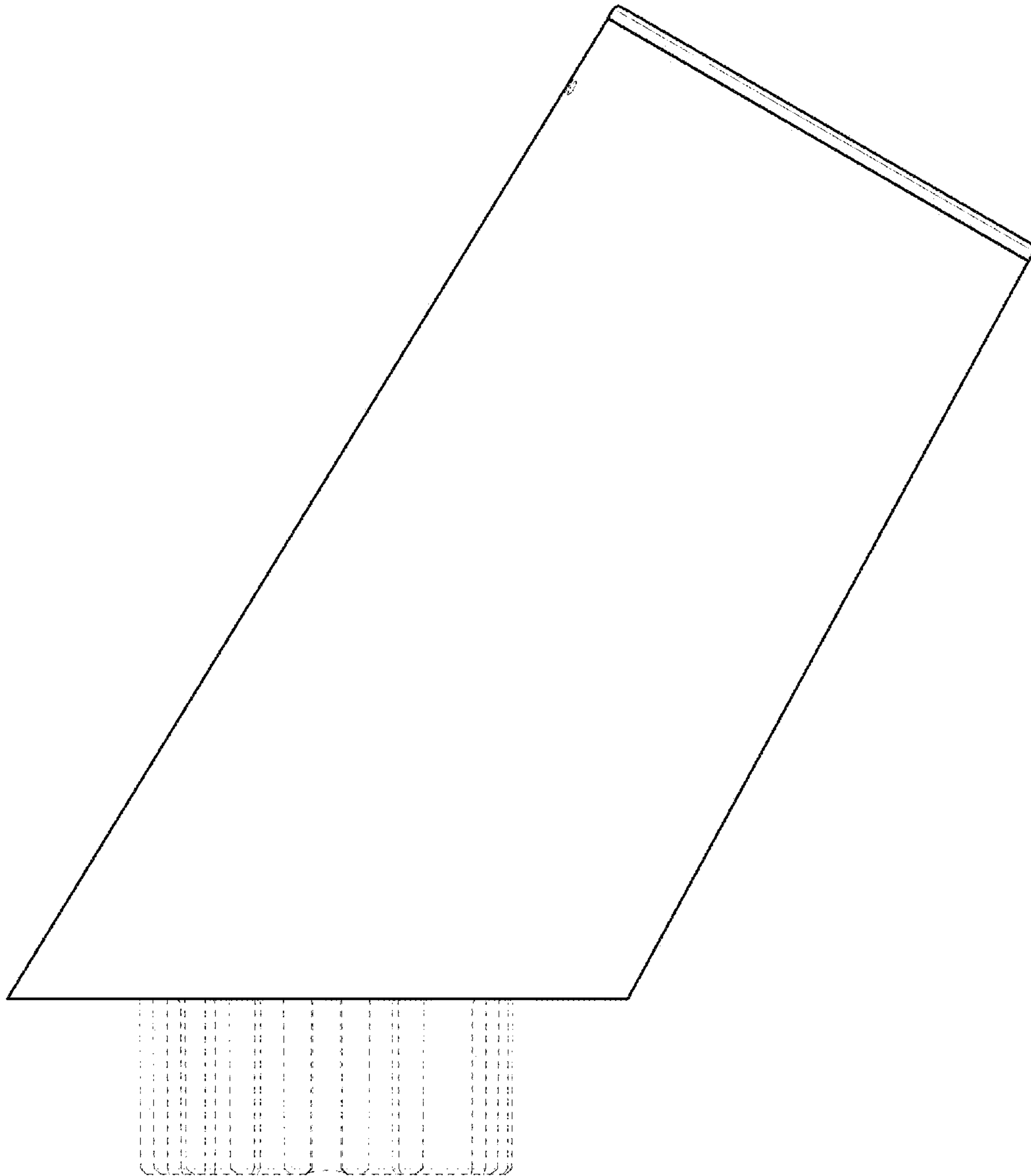


FIG. 4

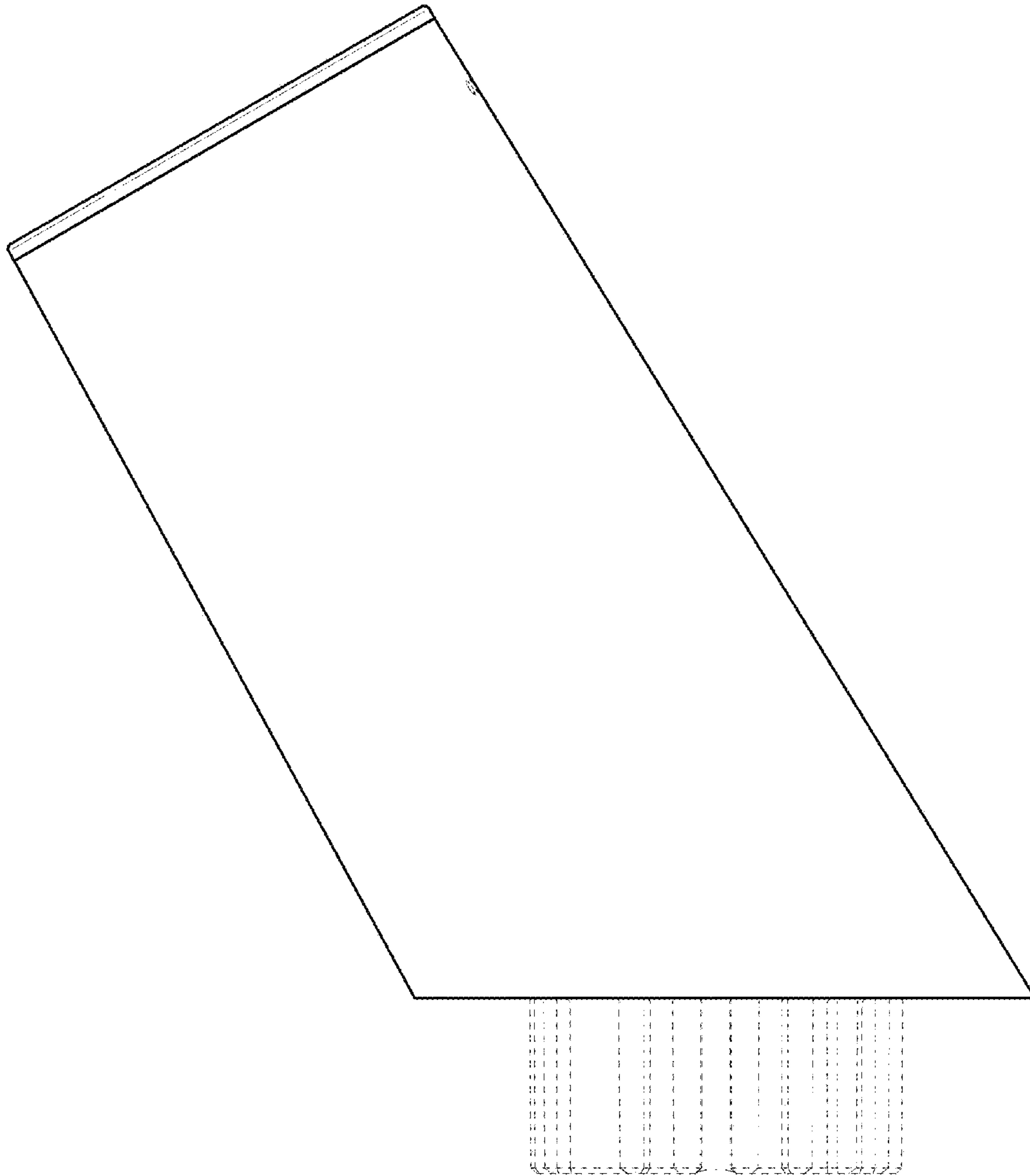


FIG. 5

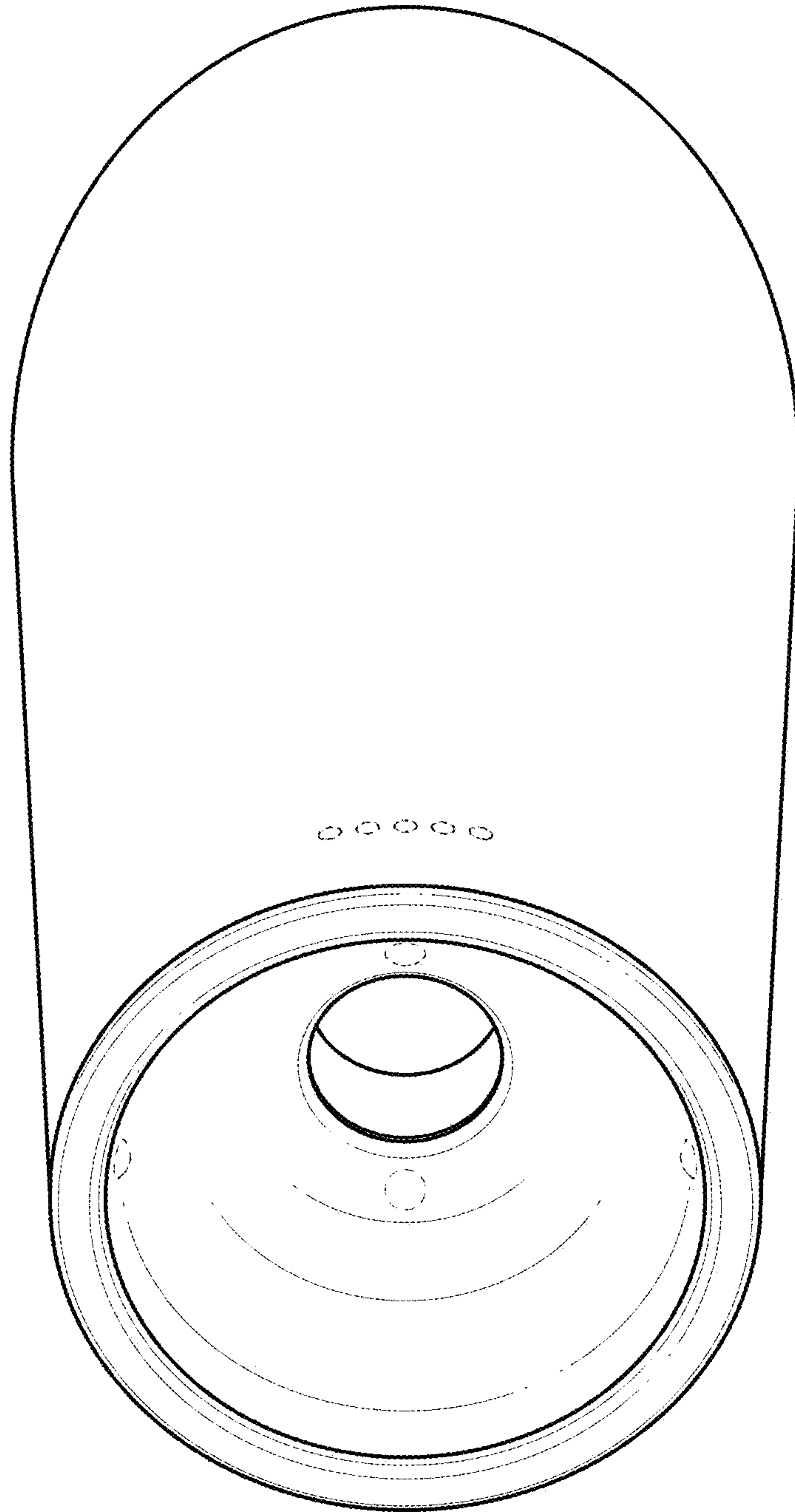


FIG. 6

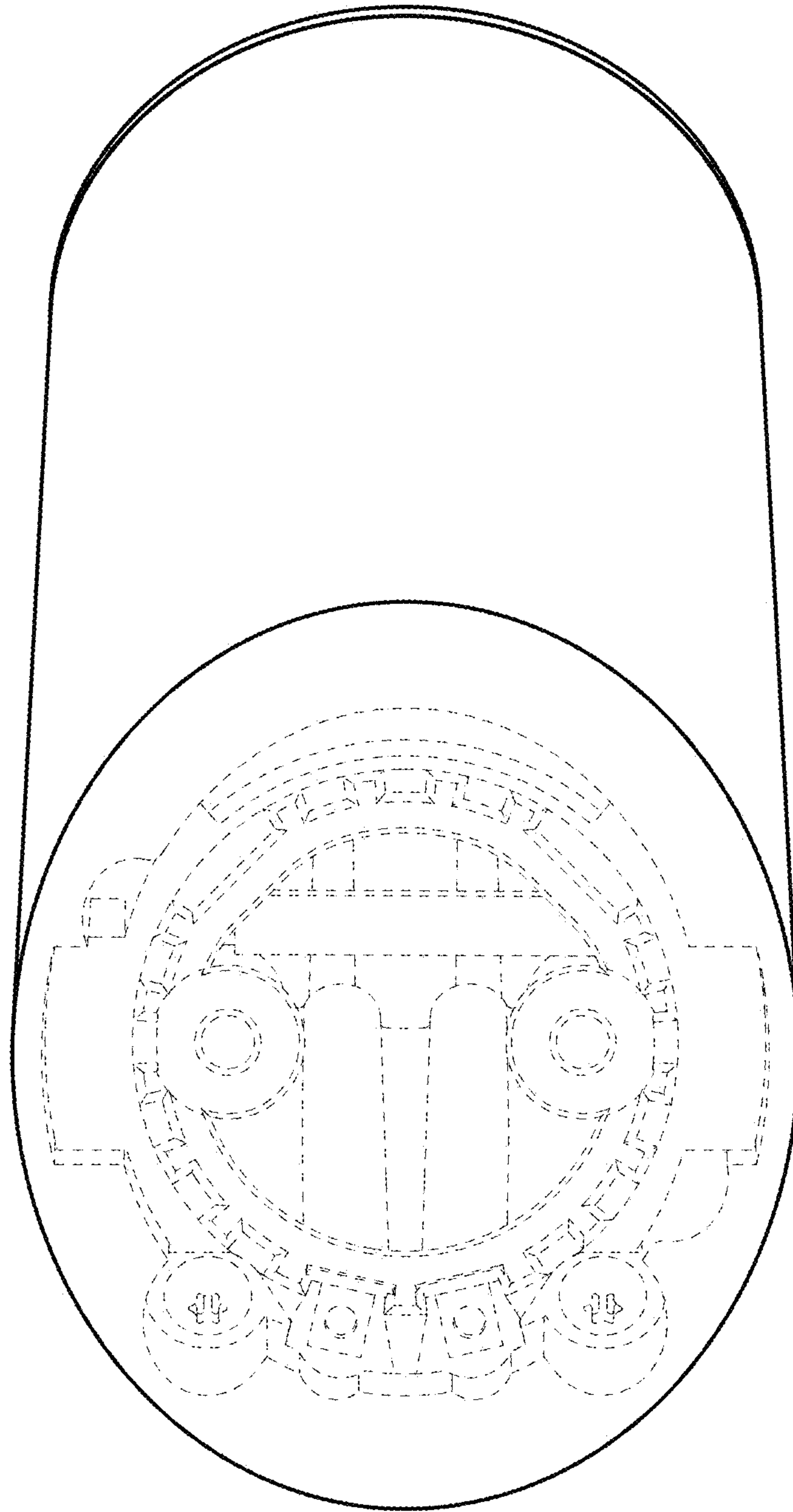


FIG. 7