



US00D756150S

(12) **United States Design Patent**
Scott

(10) **Patent No.:** **US D756,150 S**
(45) **Date of Patent:** **** May 17, 2016**

- (54) **HAIR SALON TOWEL WITH HOOK AND LOOP FASTENER**
- (71) Applicant: **Mary Eliza Scott**, Oakland, CA (US)
- (72) Inventor: **Mary Eliza Scott**, Oakland, CA (US)
- (73) Assignee: **Mary Eliza Scott**
- (**) Term: **14 Years**
- (21) Appl. No.: **29/504,848**
- (22) Filed: **Oct. 9, 2014**
- (51) **LOC (10) Cl.** **06-13**
- (52) **U.S. Cl.**
USPC **D6/608**
- (58) **Field of Classification Search**
USPC D6/594-600, 601, 603, 609, 611-613,
D6/616, 617, 608, 602, 582, 583, 585, 592,
D6/606; D32/40; D2/860, 861, 867, 702,
D2/717, 731, 734, 739, 741, 840, 844, 847
CPC A41B 1/00; A41B 13/10; A47G 27/02;
A47G 279/00; A47G 279/02; A47G 9/00;
A47G 9/02; A47G 9/0207; A47G 9/0223;
A47G 9/0238; A47G 9/0246; A47G 9/0261;
A47G 9/0284; A47G 9/10; A47G 9/1081;
A47K 7/03; A47K 7/022; A47K 10/02;
A47L 19/00; A61B 19/08; A41D 20/00;
A41D 23/00

See application file for complete search history.

- (56) **References Cited**
U.S. PATENT DOCUMENTS
D155,642 S * 10/1949 Strandhagen D2/864
2,717,389 A * 9/1955 Gribble A45D 44/08
2/50
2,794,985 A * 6/1957 Brennish A45D 44/08
2/48
3,360,802 A * 1/1968 Kasamatsu A41D 23/00
2/207
3,879,762 A * 4/1975 Herman A41B 13/10
2/48
6,122,771 A * 9/2000 Cook A41B 13/10
2/48
6,353,937 B1 * 3/2002 Martindale A42B 1/041
132/200
6,532,596 B1 * 3/2003 Fosmo A42B 1/045
2/202

- 6,718,554 B1 * 4/2004 Langston A41B 13/10
2/49.1
- 6,799,330 B1 * 10/2004 Lansdell A41B 13/10
2/49.4
- 6,836,900 B1 * 1/2005 Fus, Sr. A41B 13/10
2/49.1
- 6,859,938 B1 * 3/2005 Niski A41B 13/10
2/49.1
- D511,873 S * 11/2005 Vitantonio D32/40
- 7,082,617 B1 * 8/2006 Poindexter A41D 1/205
2/46
- D542,007 S * 5/2007 Huang D2/728
- D582,130 S * 12/2008 Thompson D2/861
- D591,484 S * 5/2009 Lindh D2/864
- D611,682 S * 3/2010 Cutler D2/860
- 7,765,611 B2 * 8/2010 Marshall A41D 3/08
2/84
- D666,447 S * 9/2012 Zemel D6/592
- 8,353,064 B2 * 1/2013 Tagatz A45D 44/08
2/50
- D722,450 S * 2/2015 Behrens D6/608
- D738,595 S * 9/2015 Grant D2/860
- D739,163 S * 9/2015 Colwell D6/608
- 2001/0014980 A1 * 8/2001 Patterson A41B 13/10
2/49.1

(Continued)

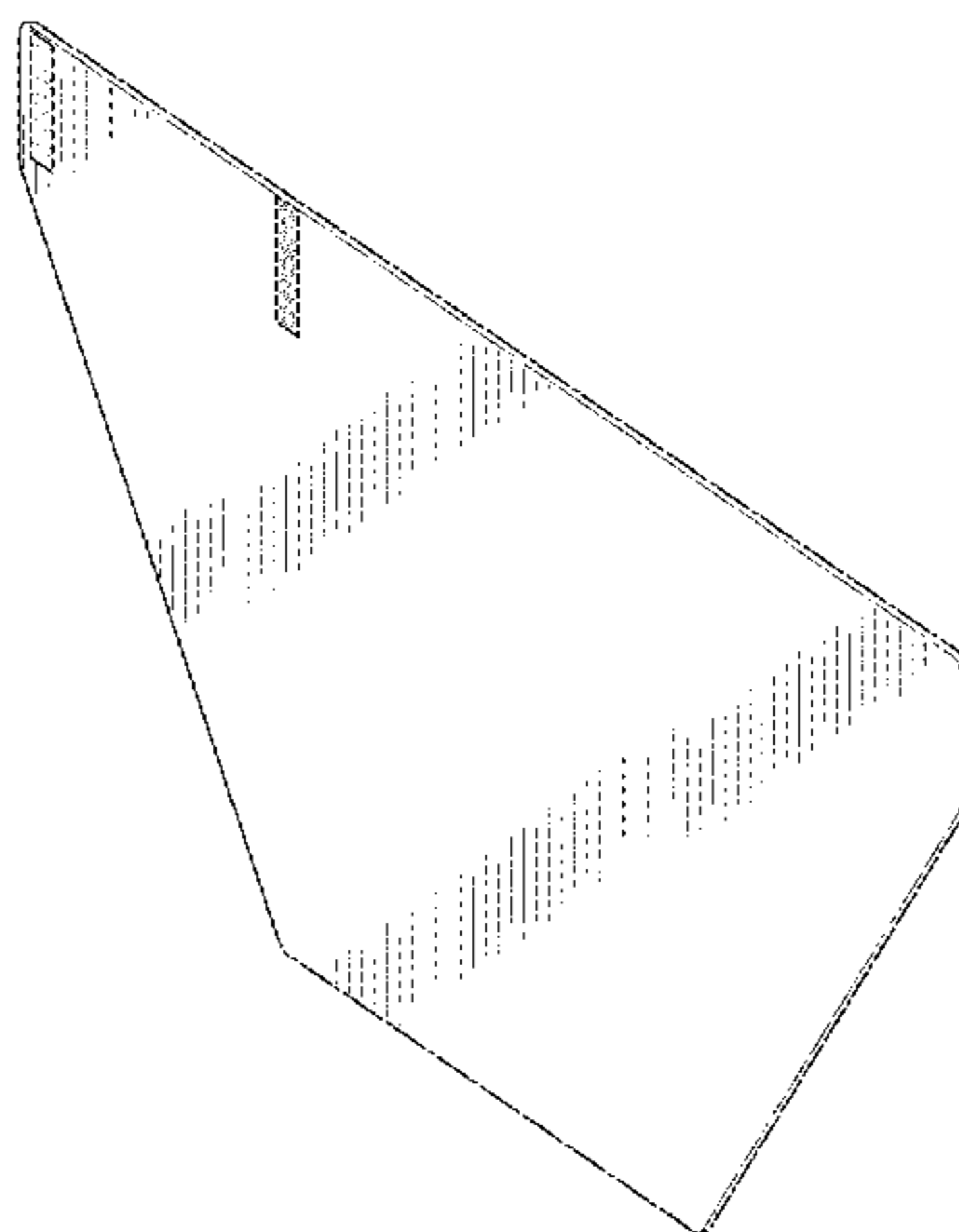
Primary Examiner — Manpreet Matharu
Assistant Examiner — Jennifer Wright

(57) **CLAIM**
I claim the ornamental design for a hair salon towel with hook and loop fastener, as shown and described.

DESCRIPTION

FIG. 1: is a front Perspective view of a hair salon towel with hook and loop fastener showing my new design
FIG. 2: is a front view thereof;
FIG. 3: is a rear view thereof;
FIG. 4: is a top view thereof;
FIG. 5: is a bottom view thereof;
FIG. 6: is a right side view thereof;
FIG. 7: is a left side view thereof; and,
FIG. 8: is an environmental view thereof shown in a position of use.
The broken lines in the drawings depict environmental subject matter only and form no part of the claimed design.
I envisioned a hair salon towel with hook and loop fastener that would allow patron clothes, to stay dry during salon service.

1 Claim, 6 Drawing Sheets



US D756,150 S

Page 2

(56)

References Cited

U.S. PATENT DOCUMENTS

2004/0049828 A1*	3/2004	Moses	A41B 13/10 2/50
2014/0352021 A1*	12/2014	Dowling	A41B 13/10 2/48
2002/0188998 A1*	12/2002	Yost	A41B 13/10 2/46

* cited by examiner

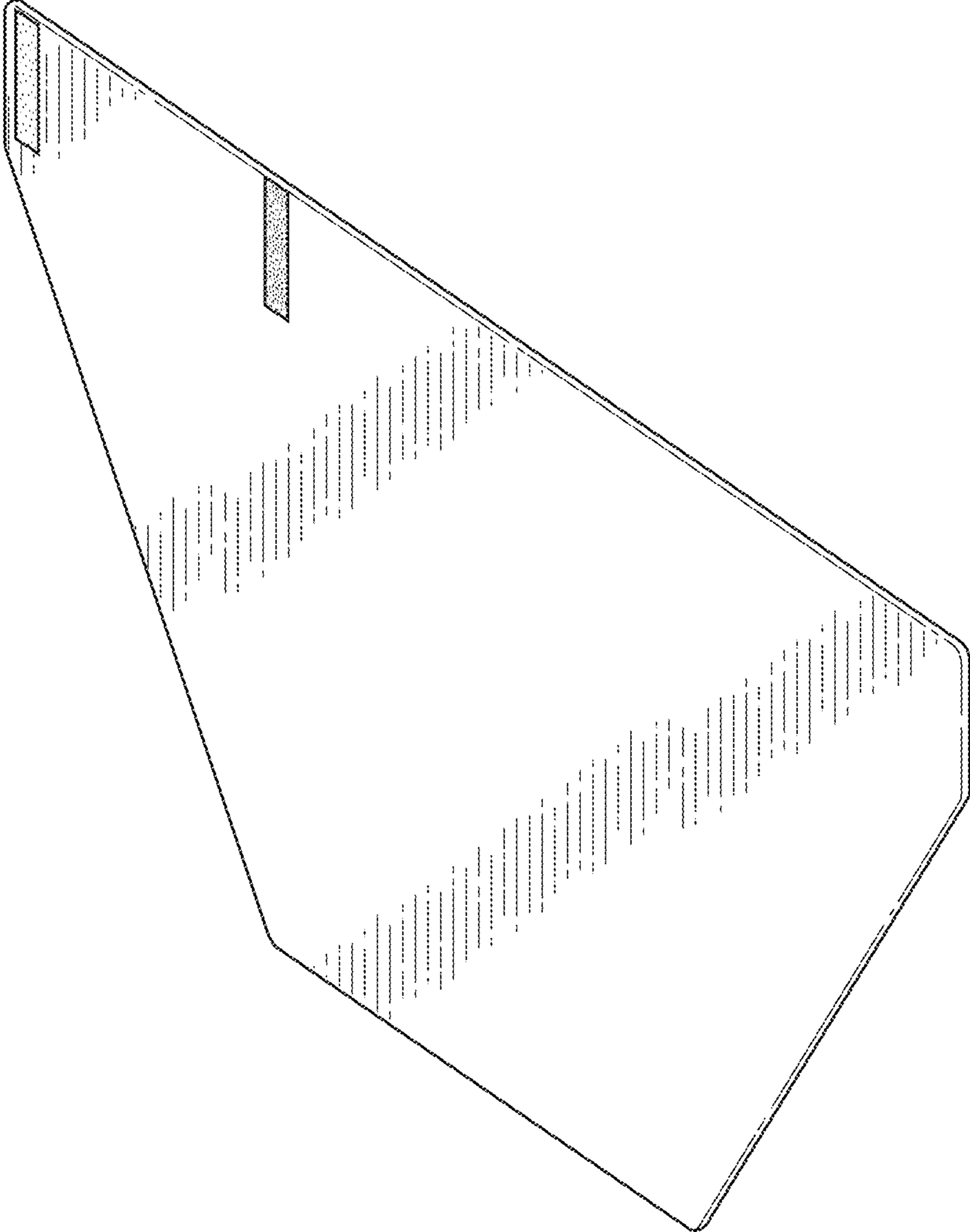


FIG. 1

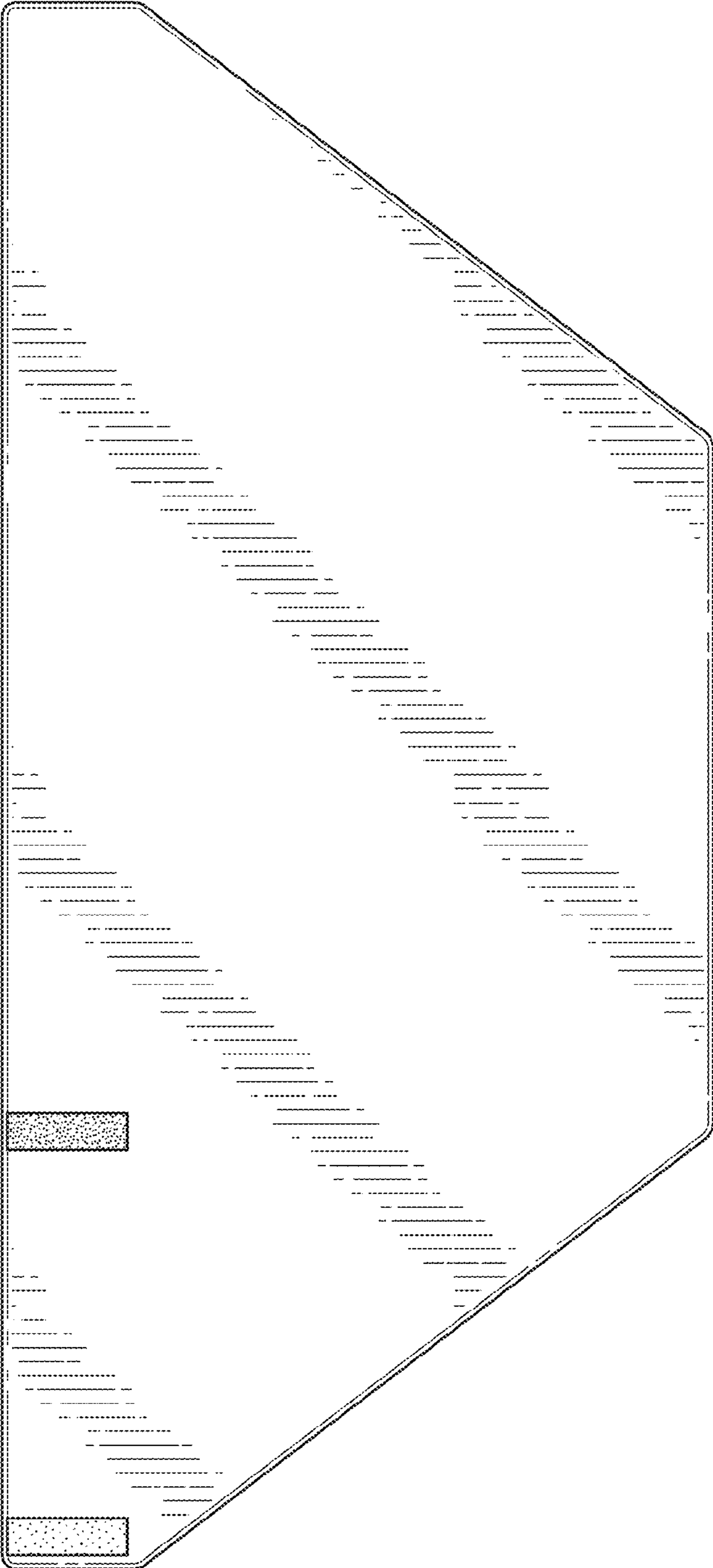


FIG. 2

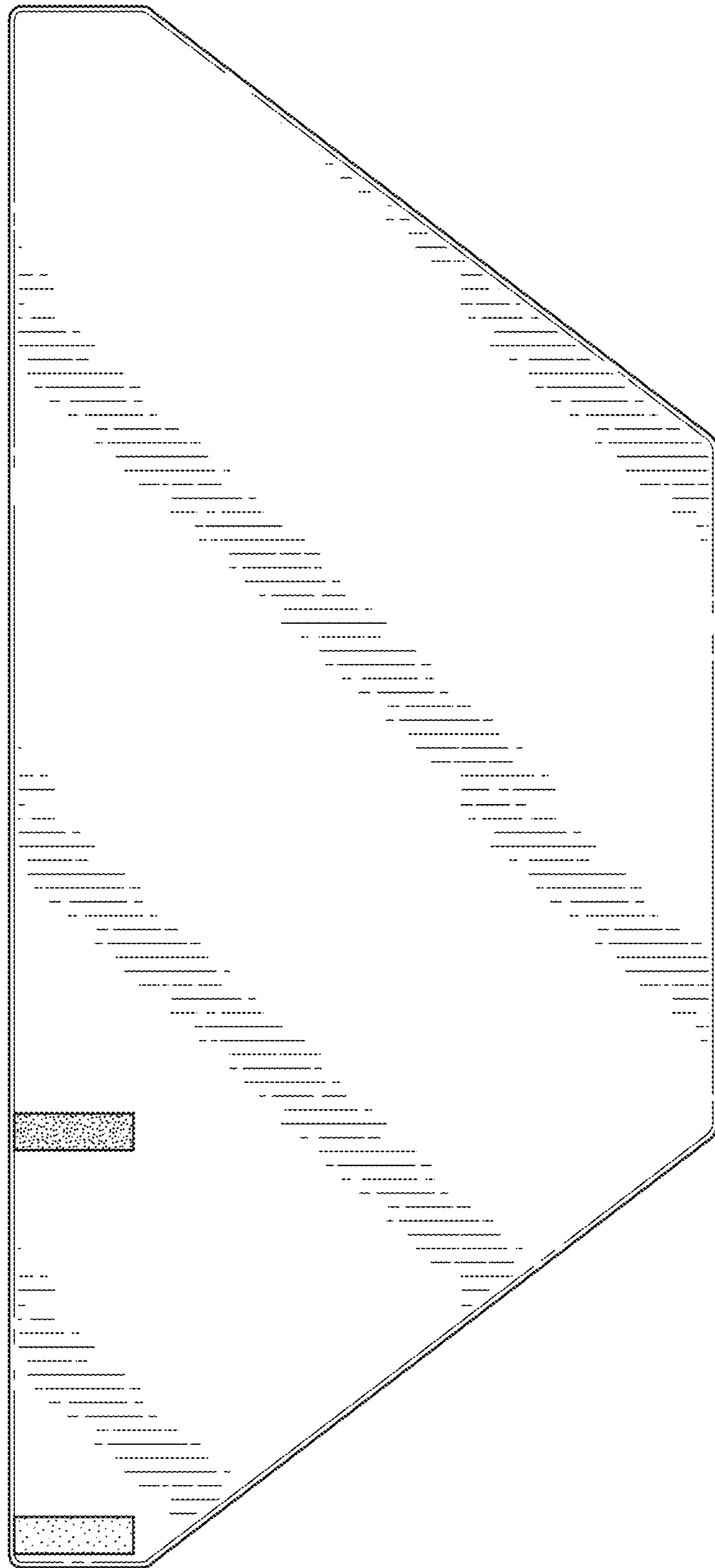


FIG. 3



FIG. 4

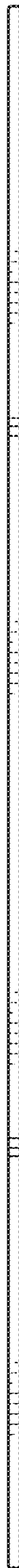


FIG. 5

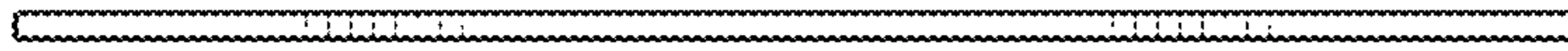


FIG. 7

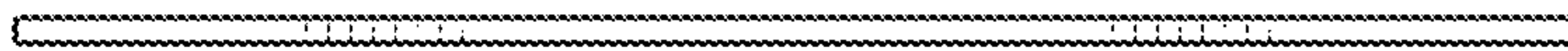


FIG. 6

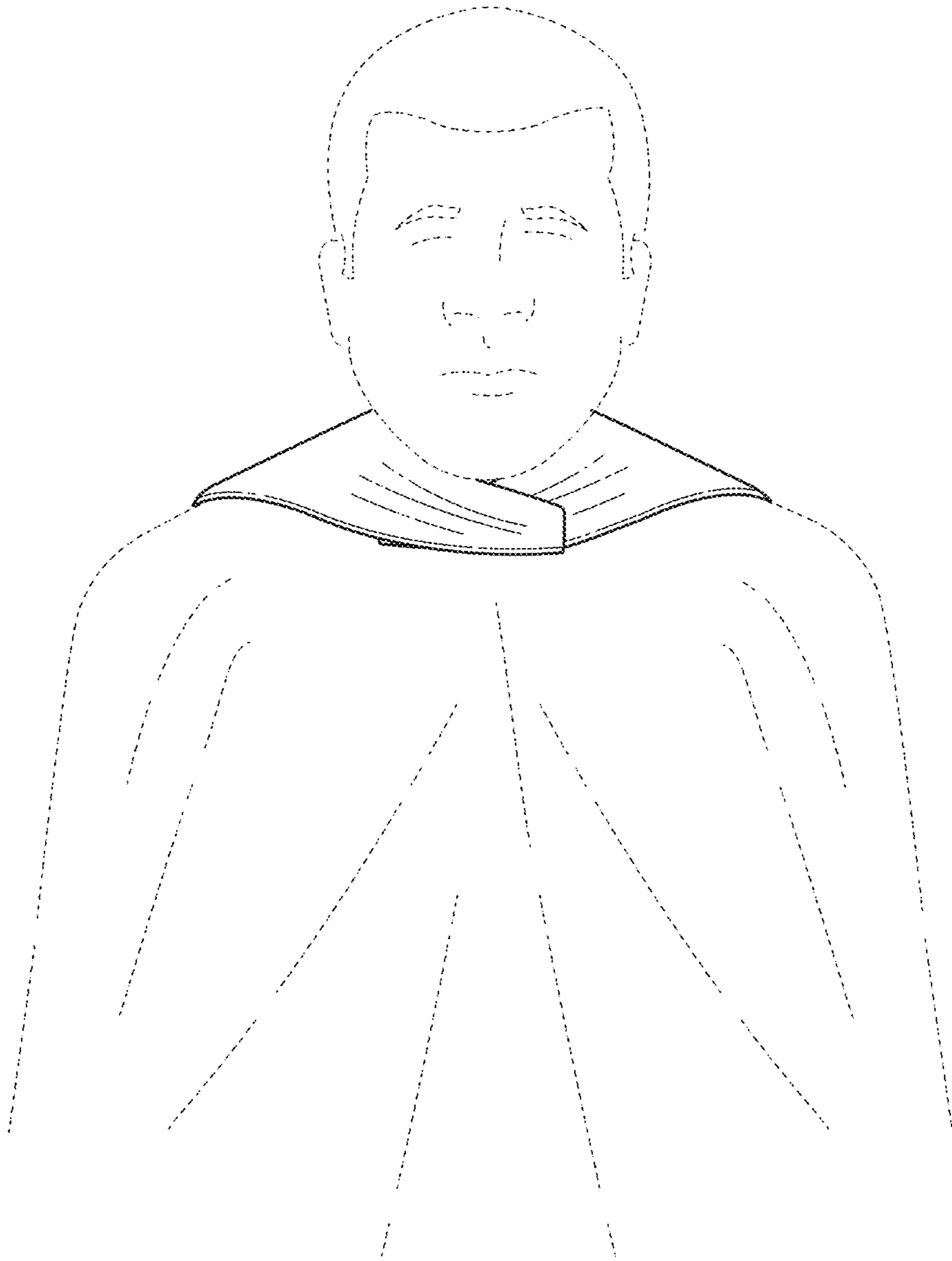


FIG. 8