



US00D756145S

(12) **United States Design Patent**
Davis

(10) **Patent No.:** **US D756,145 S**
(45) **Date of Patent:** **** May 17, 2016**

(54) **CEILING SHELF WITH TIE-DOWNS**

(71) Applicant: **Matthew Davis**, Rancho Santa Margarita, CA (US)

(72) Inventor: **Matthew Davis**, Rancho Santa Margarita, CA (US)

(**) Term: **14 Years**

(21) Appl. No.: **29/496,255**

(22) Filed: **Jul. 10, 2014**

(51) **LOC (10) Cl.** **06-06**

(52) **U.S. Cl.**
USPC **D6/513**

(58) **Field of Classification Search**
USPC D6/512, 513, 515, 552, 574
CPC A47G 25/743; A47J 47/16; A47B 96/02;
A47B 65/00; A47B 61/00; A47F 5/13; A47F
5/0892; A47L 19/04; F16M 13/00; F21V
21/02

See application file for complete search history.

(56) **References Cited**

U.S. PATENT DOCUMENTS

- 4,319,421 A * 3/1982 Diamond A47F 5/0892
248/340
- 5,542,530 A * 8/1996 Frelander A47B 61/00
108/106
- D416,152 S * 11/1999 Payne D6/512
- D459,926 S * 7/2002 Mikich D6/513
- D470,353 S * 2/2003 Mikich D6/513
- 6,843,381 B2 * 1/2005 Wu A47B 81/04
211/85.29
- D504,585 S * 5/2005 Rafoth D6/513
- D504,586 S * 5/2005 Rafoth D6/513
- D505,286 S * 5/2005 Rafoth D6/513
- D507,136 S * 7/2005 Brown D6/513
- D507,917 S * 8/2005 Valdez D6/513
- D508,179 S * 8/2005 Brown D6/513
- D509,979 S * 9/2005 Le Roux D6/513

- D518,669 S * 4/2006 Rafoth D6/513
- D525,811 S * 8/2006 Nawrocki D6/513
- D526,519 S * 8/2006 Nawrocki D6/566
- D553,401 S * 10/2007 Peddycord D6/513
- D653,064 S * 1/2012 Lutt D6/513
- 8,161,711 B2 * 4/2012 Steed E04B 2/7422
52/782.1
- 8,245,651 B1 * 8/2012 Mikich A47B 5/00
108/42
- 8,371,458 B2 * 2/2013 Yu A47B 43/006
108/149
- 8,408,666 B2 * 4/2013 Armstrong A47B 88/0407
312/408
- 8,511,486 B2 * 8/2013 Mansor A47B 43/00
211/117
- 8,657,130 B2 * 2/2014 Thrush A47F 5/08
211/117
- 2002/0023888 A1 * 2/2002 Wynne A47B 55/02
211/119
- 2007/0205169 A1 * 9/2007 Fratilla A47B 47/02
211/117

* cited by examiner

Primary Examiner — John Windmuller

Assistant Examiner — Steven Czyz

(74) *Attorney, Agent, or Firm* — Steven W. Webb

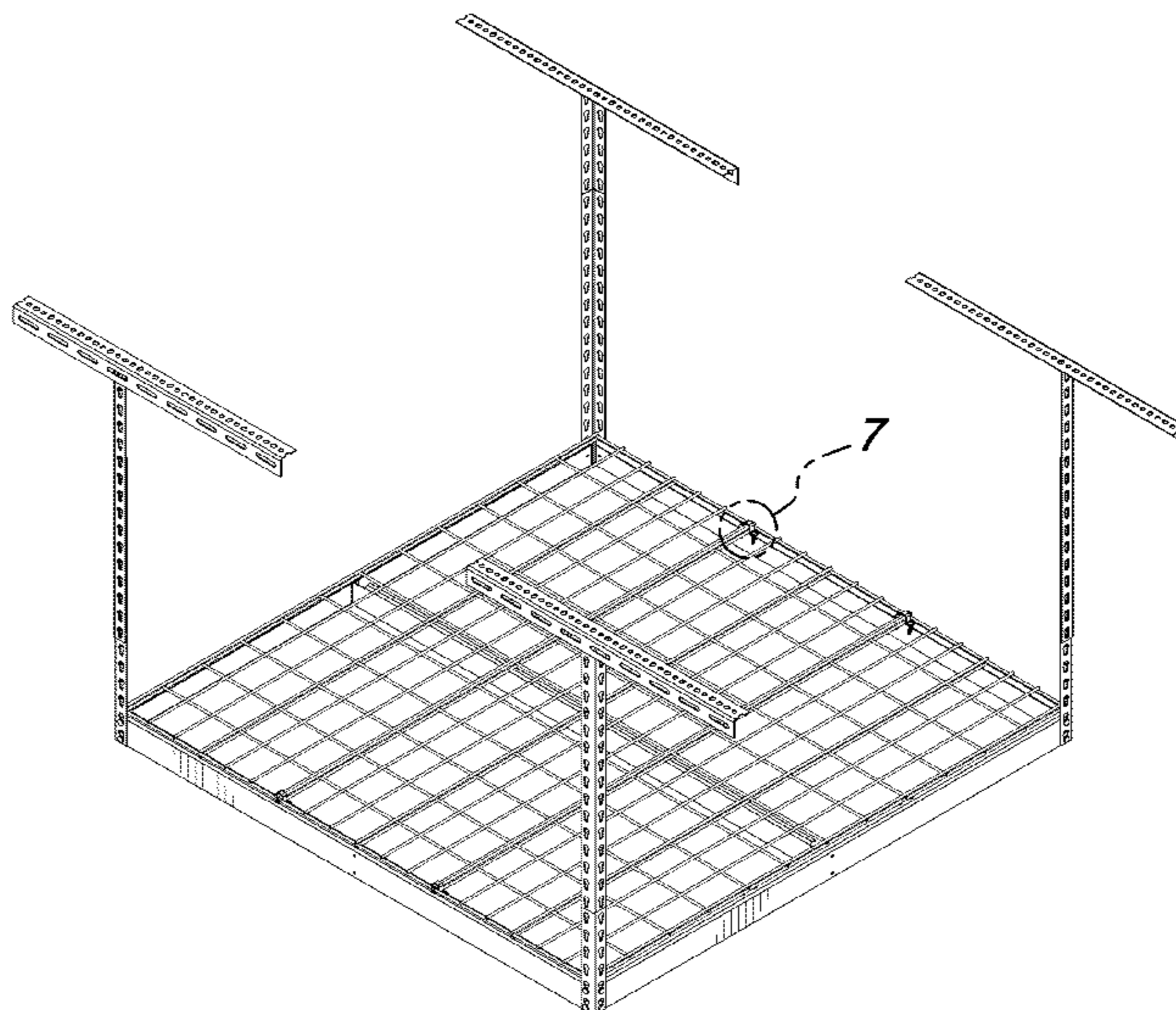
(57) **CLAIM**

The ornamental design for a ceiling shelf with tie downs, as shown and described.

DESCRIPTION

FIG. 1 is a perspective view of a ceiling shelf with tie downs; FIG. 2 is an end view of the ceiling shelf with tie downs. FIG. 3 is the other end view of the ceiling shelf with tie downs. FIG. 4 is both side views of the ceiling shelf with tie downs. FIG. 5 is a top-down view of the ceiling shelf with tie downs. FIG. 6 is a bottom-up view of the ceiling shelf with tie downs; and, FIG. 7 is a close-up perspective view of the tie-downs as identified in FIG. 1.

1 Claim, 6 Drawing Sheets



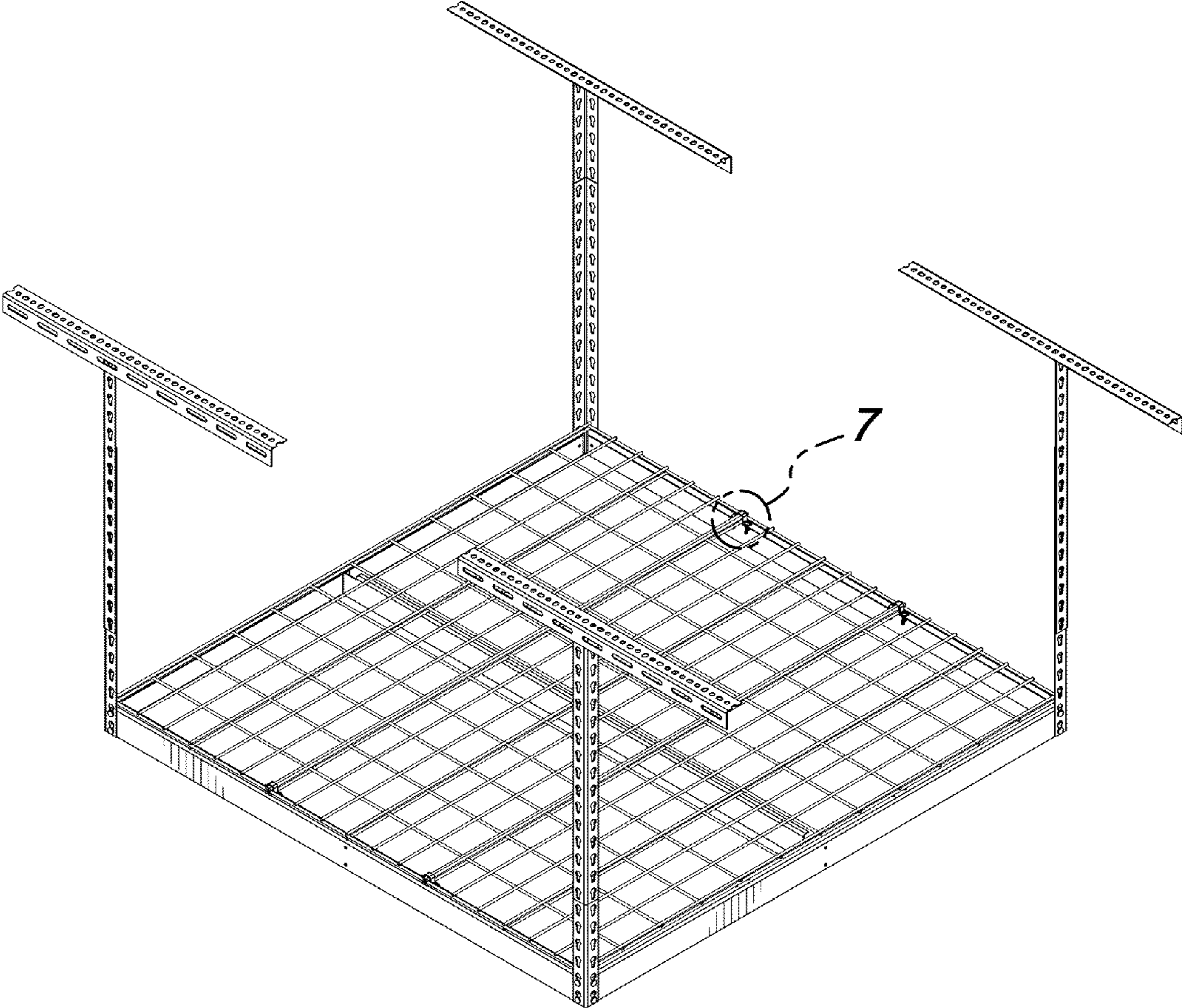


FIG. 1

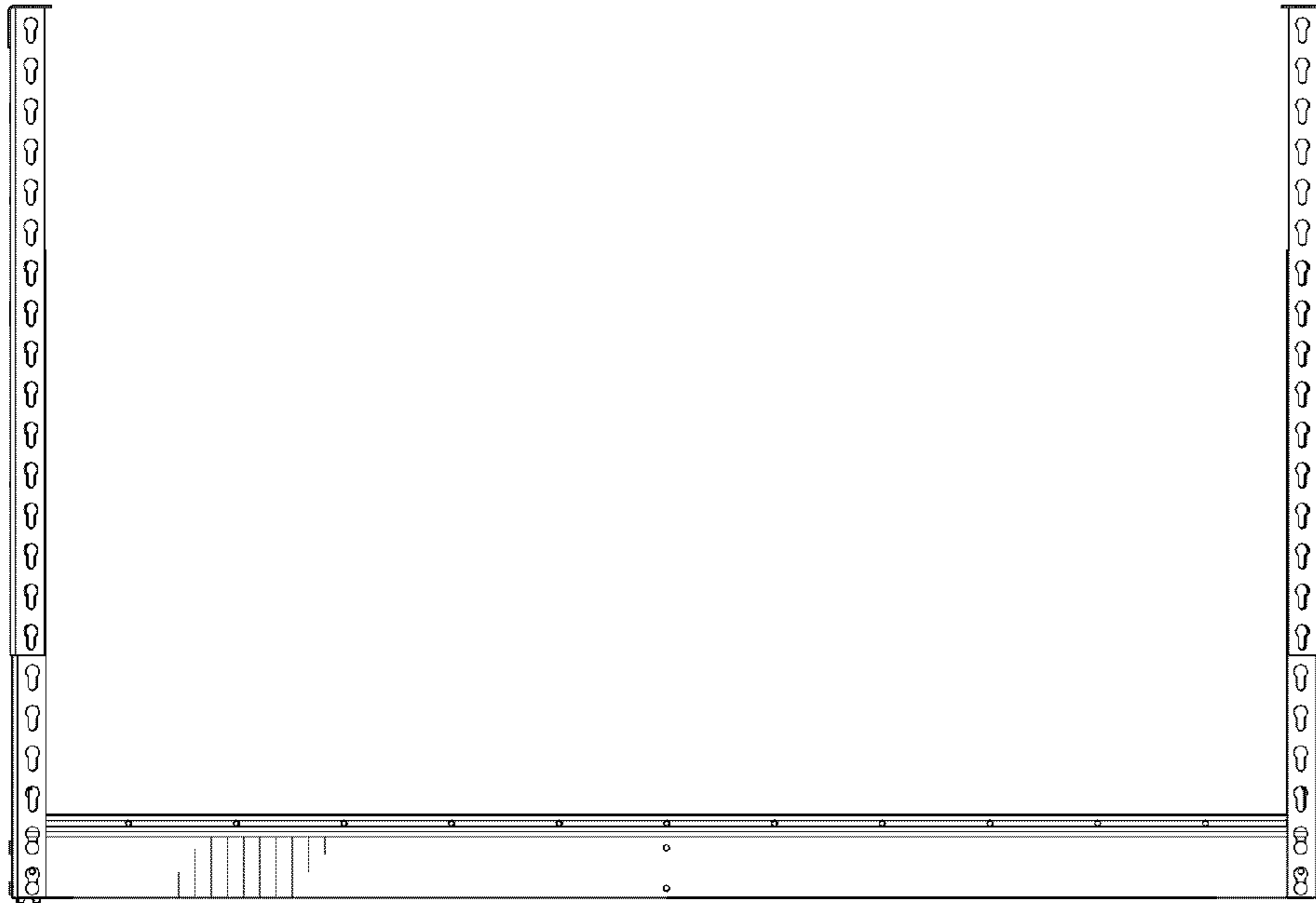


FIG. 2

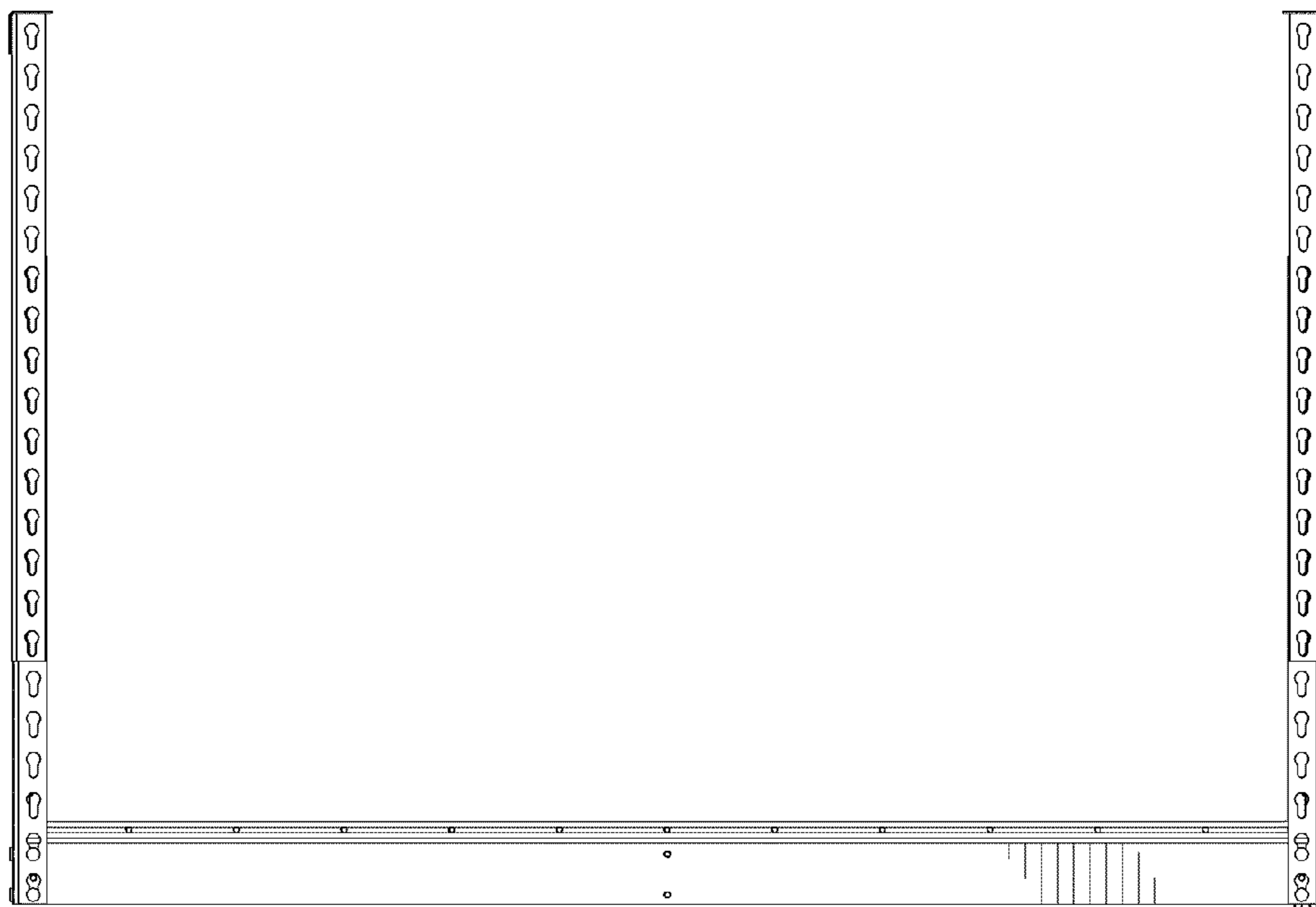


FIG. 3

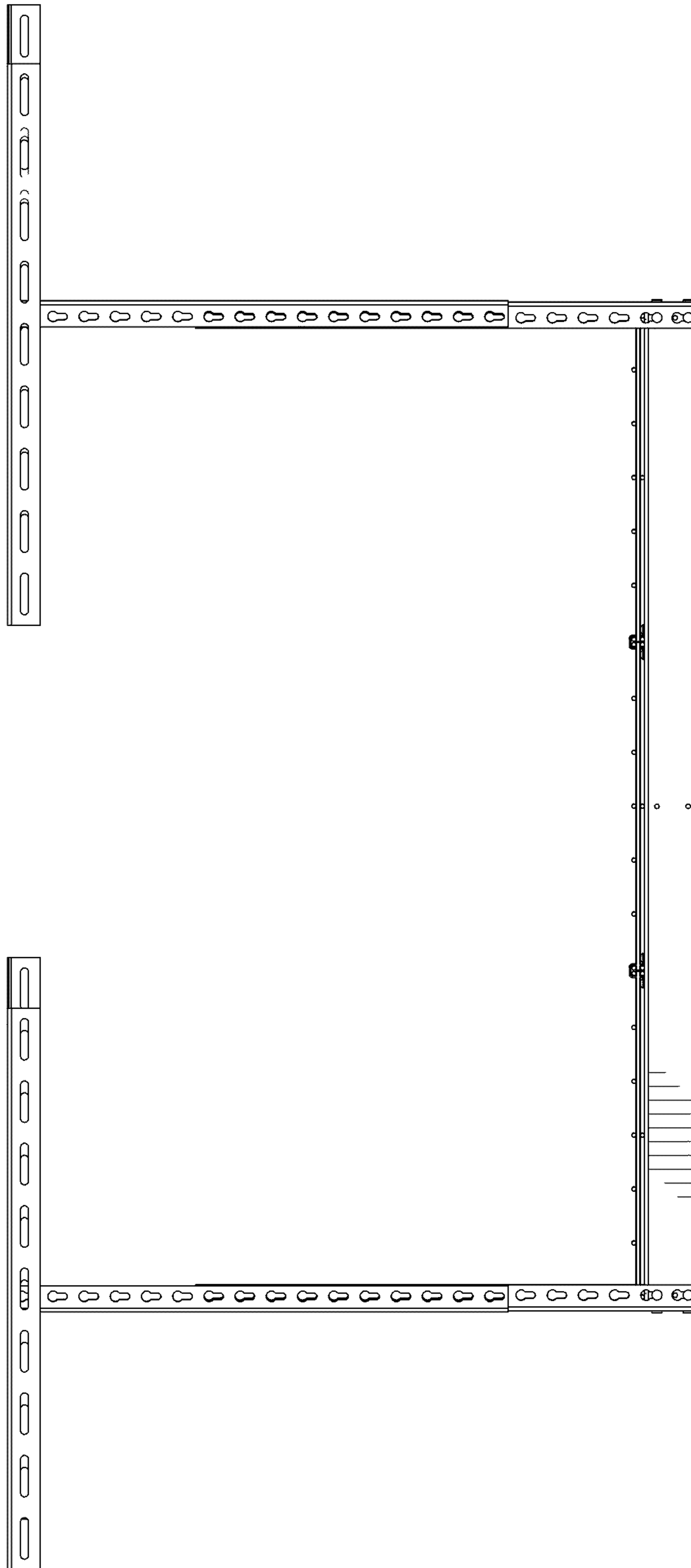


FIG. 4

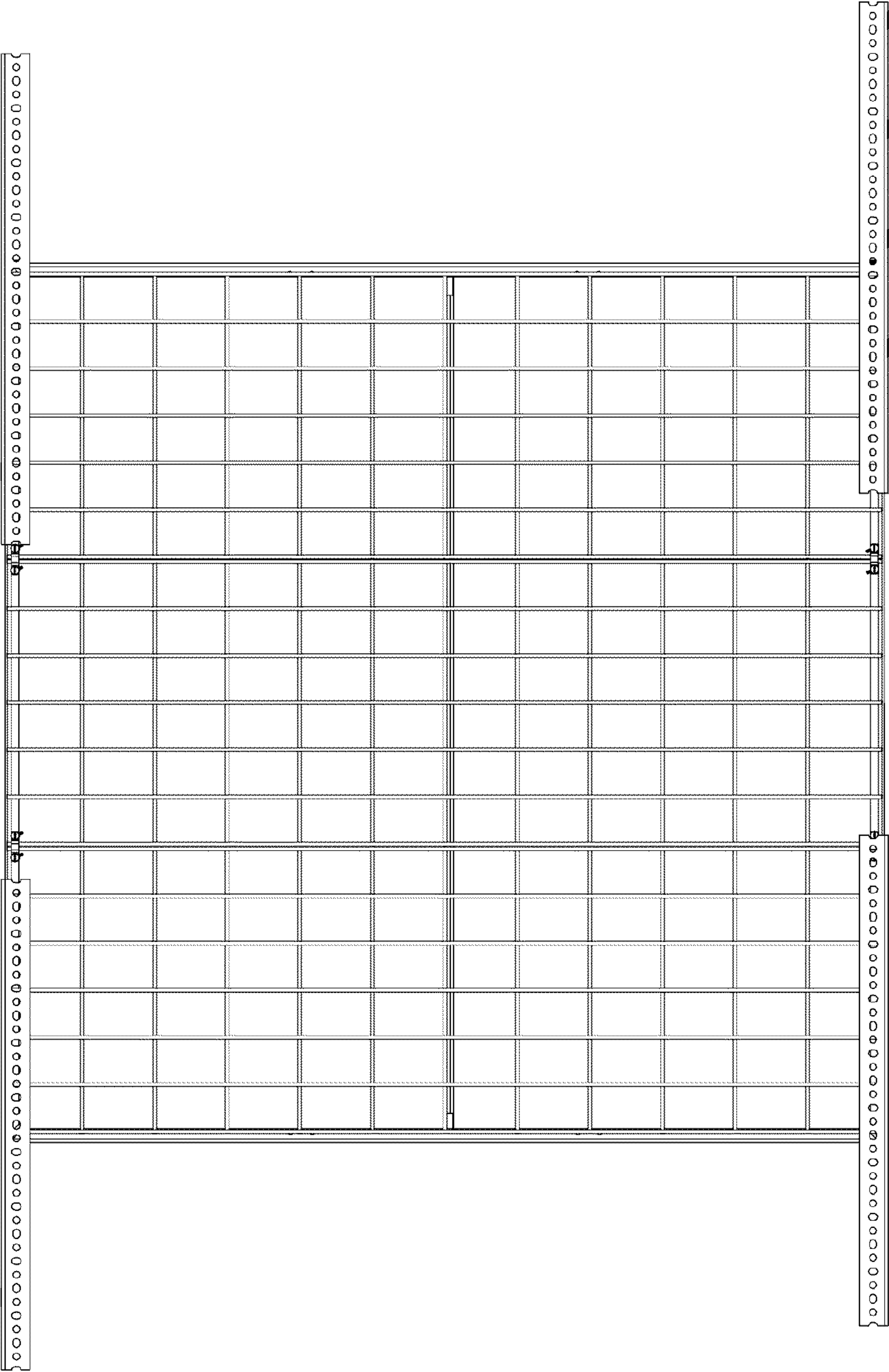


FIG. 5

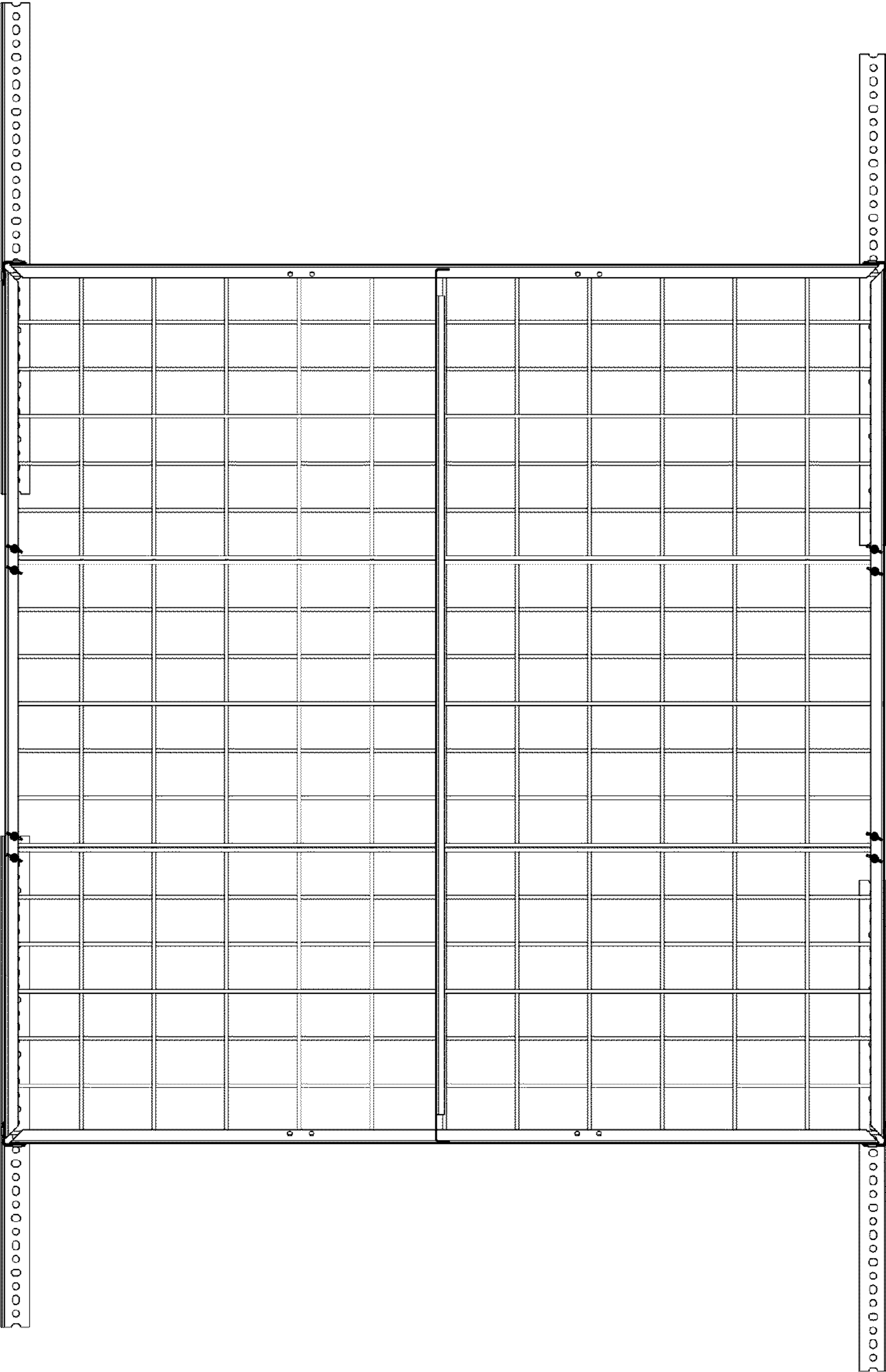


FIG. 6

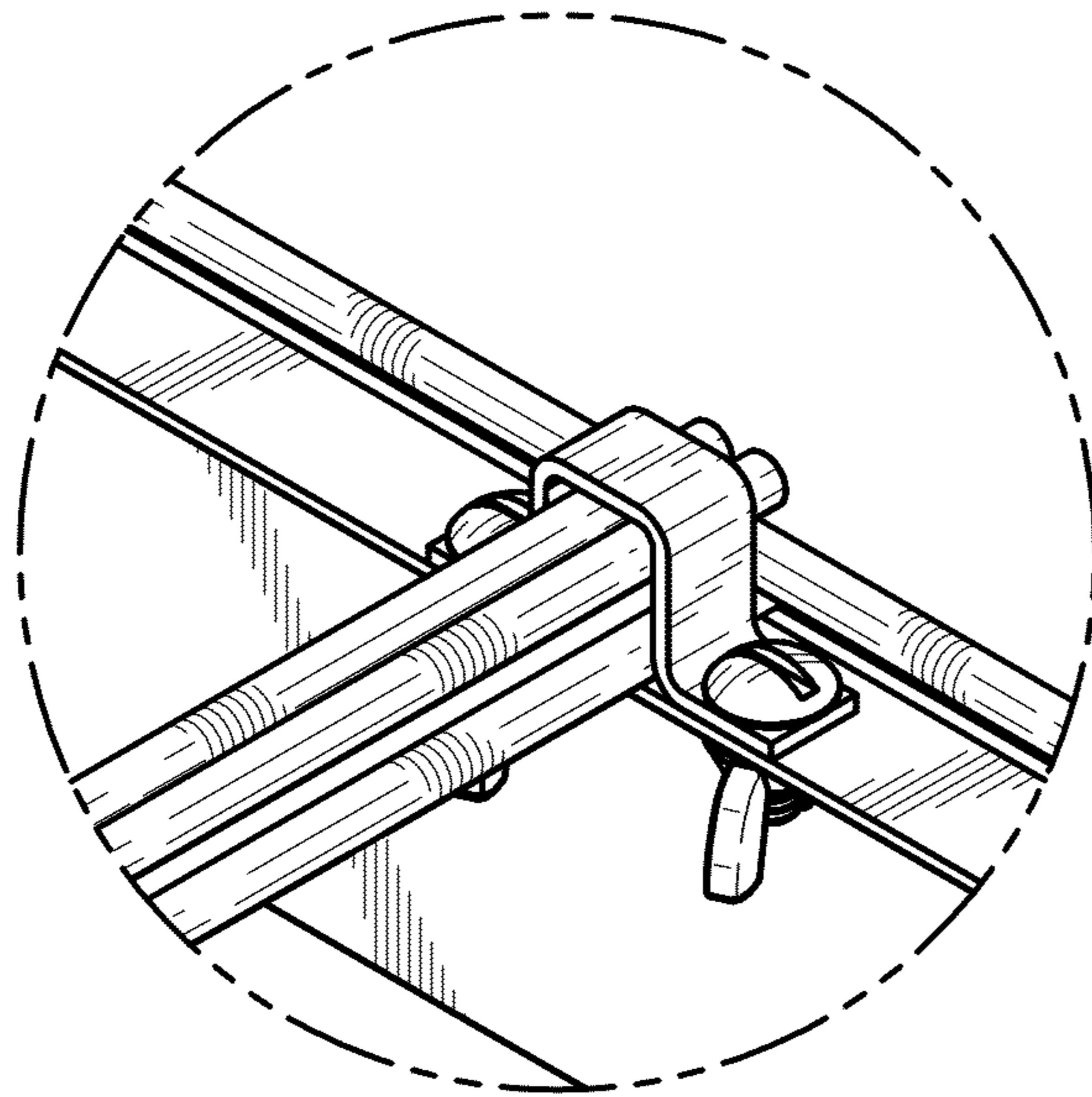


FIG. 7