



US00D756141S

(12) **United States Design Patent**
Akkad

(10) **Patent No.:** **US D756,141 S**
(45) **Date of Patent:** **** May 17, 2016**

- (54) **SAUCER CHAIR WITH SEAT PAD**
- (71) Applicant: **Idea Nuova, Inc.**, New York, NY (US)
- (72) Inventor: **Benjamin S. Akkad**, New York, NY (US)
- (73) Assignee: **Idea Nuova, Inc.**, New York, NY (US)
- (**) Term: **14 Years**
- (21) Appl. No.: **29/517,271**
- (22) Filed: **Feb. 11, 2015**
- (51) **LOC (10) Cl.** **06-01**
- (52) **U.S. Cl.**
USPC **D6/368**
- (58) **Field of Classification Search**
USPC D6/334-336, 368, 371-373, 375, 376, D6/379, 716, 716.1, 716.3, 716.4
CPC A47C 3/12; A47C 4/50; A47C 4/00; A47C 4/02; A47C 4/03; A47C 4/24; A47C 4/28; A47C 4/30; A47C 4/48; A47C 5/04; A47C 7/282
See application file for complete search history.

- (56) **References Cited**
U.S. PATENT DOCUMENTS
- | | | | | |
|-----------|------|--------|------------------|--------------------------|
| 3,694,030 | A * | 9/1972 | Grosfillex | A47C 3/12
297/440.22 |
| 6,938,951 | B1 * | 9/2005 | Tseng | A47C 4/48
297/16.1 |
| 7,000,983 | B1 * | 2/2006 | Tsai | A47C 4/50
297/56 |
| 7,011,374 | B1 * | 3/2006 | Hsieh | A47C 7/282
297/440.11 |

D555,378	S *	11/2007	Tsai	D6/368
D691,384	S *	10/2013	Akkad	D6/368
8,801,090	B2 *	8/2014	Akkad	A47C 4/48 297/46
D718,549	S *	12/2014	Akkad	D6/368
D720,550	S *	1/2015	Akkad	D6/368
2004/0245810	A1 *	12/2004	Tseng	A47C 4/50 297/56
2005/0088018	A1 *	4/2005	Yao	A47C 4/24 297/16.1
2006/0249991	A1 *	11/2006	Hsieh	A47C 4/48 297/16.1
2011/0043003	A1 *	2/2011	Akkad	A47C 4/24 297/16.1

* cited by examiner

Primary Examiner — Mimoso De

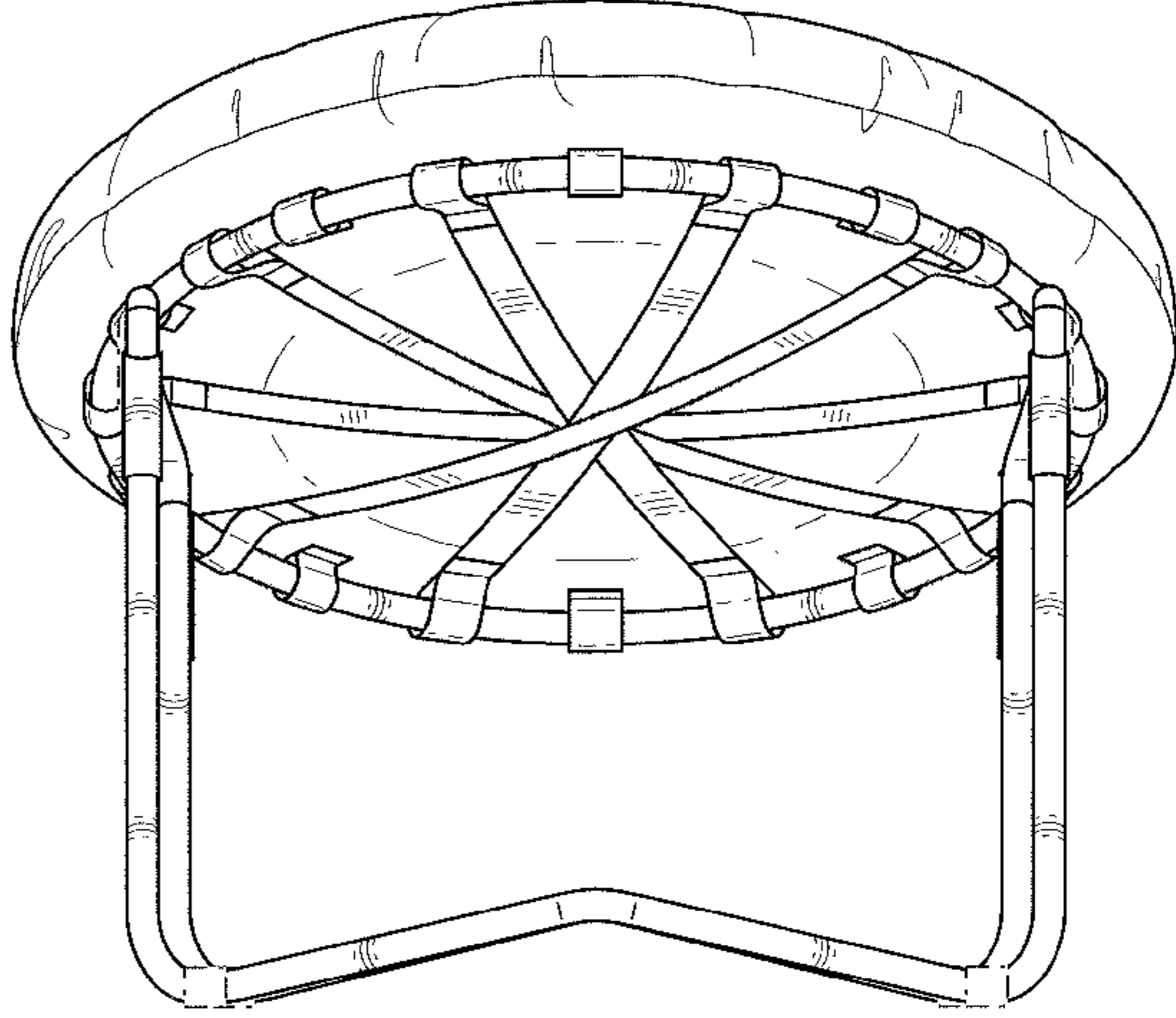
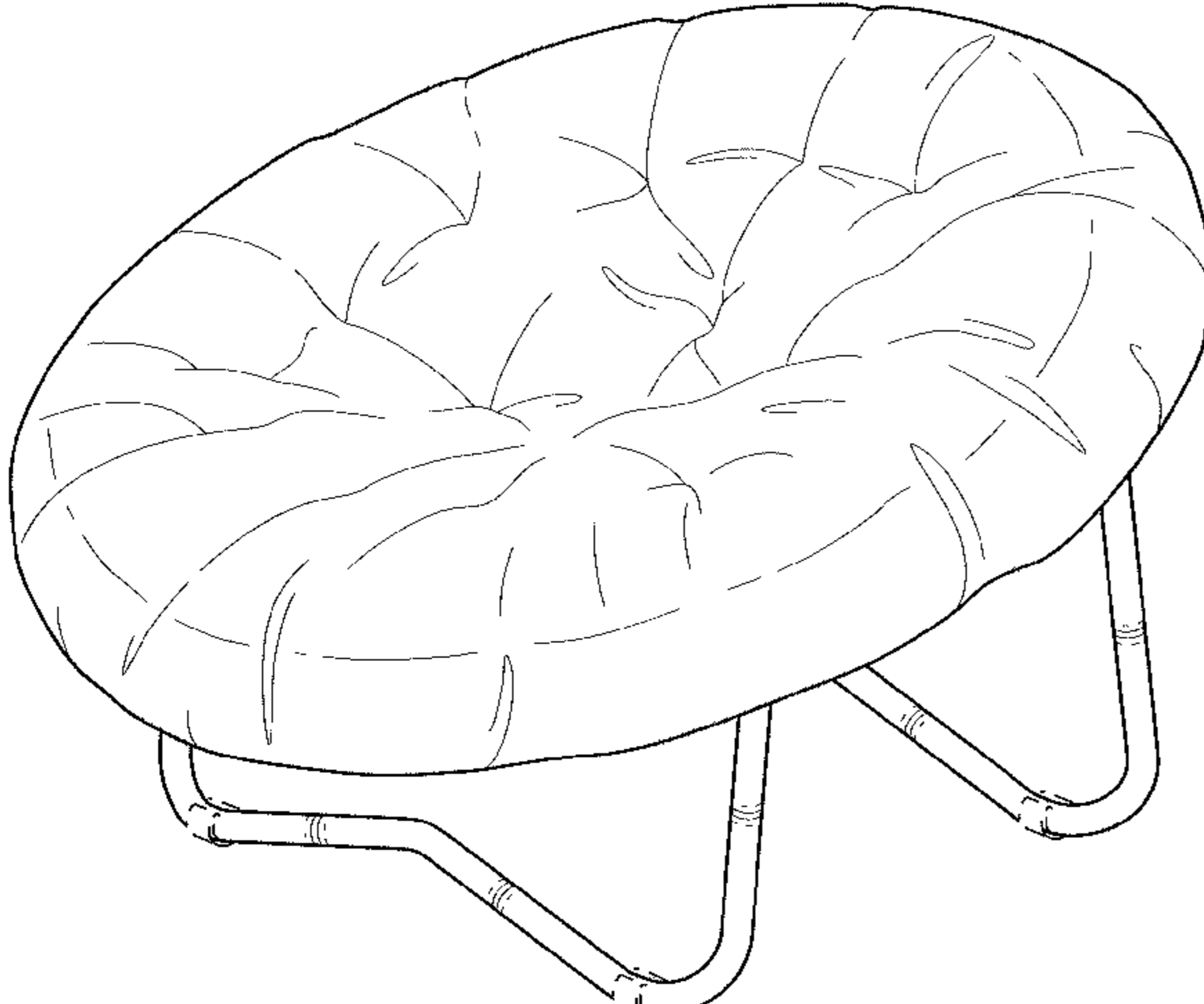
(74) *Attorney, Agent, or Firm* — Panitch Schwarze Belisario & Nadel LLP

(57) **CLAIM**
The ornamental design for a saucer chair with a seat pad, as shown and described.

DESCRIPTION

FIG. 1 is a left side perspective view of a saucer chair with a seat pad in accordance with my new design;
 FIG. 2 is a front elevational view thereof;
 FIG. 3 is a rear elevational view thereof;
 FIG. 4 is a left side elevational view thereof;
 FIG. 5 is a right side elevational view thereof;
 FIG. 6 is a top plan view thereof; and,
 FIG. 7 is a bottom plan view thereof.
 The broken lines in the figures are for the purpose of showing environmental structure and form no part of the claimed design.

1 Claim, 7 Drawing Sheets



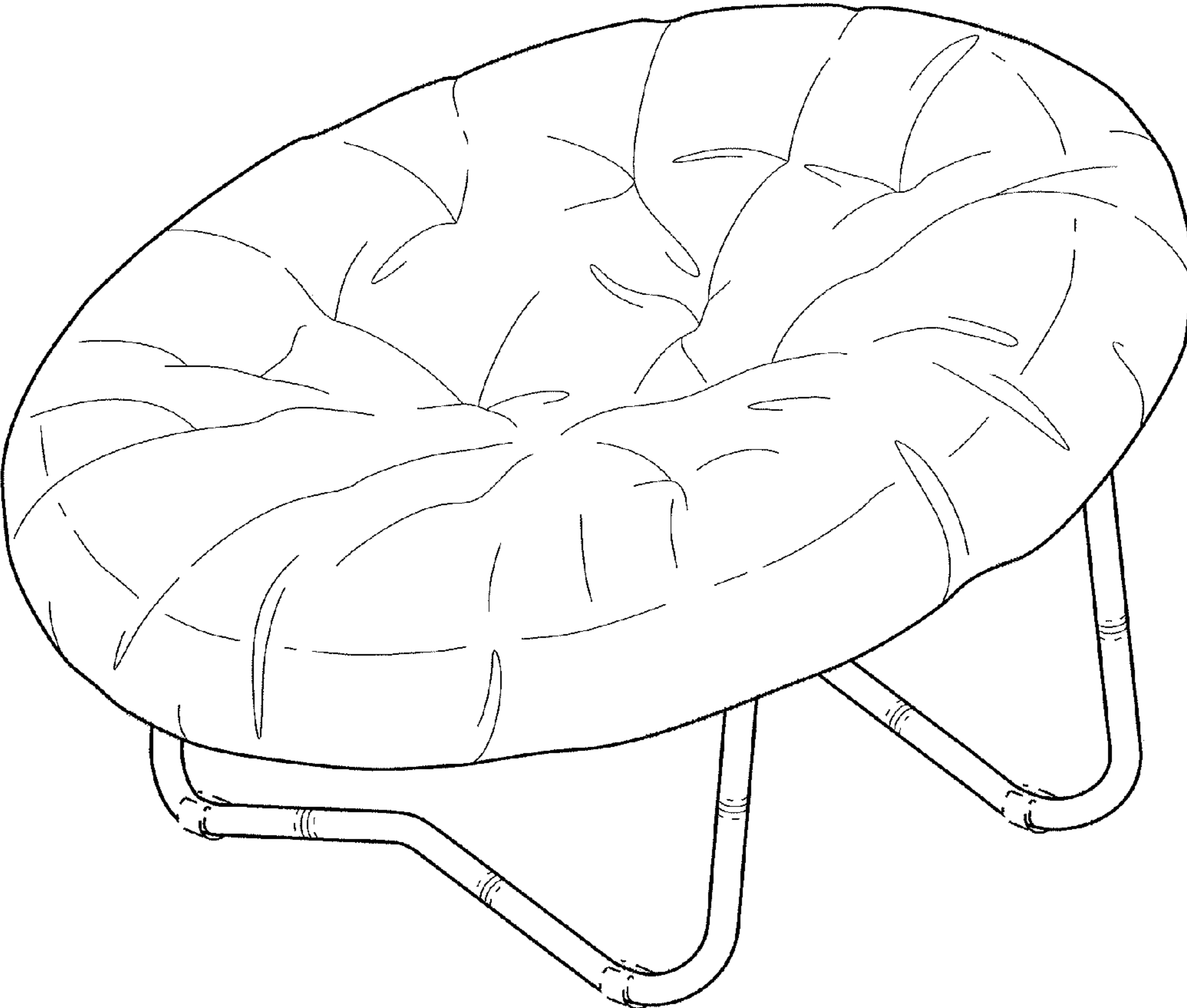


FIG. 1

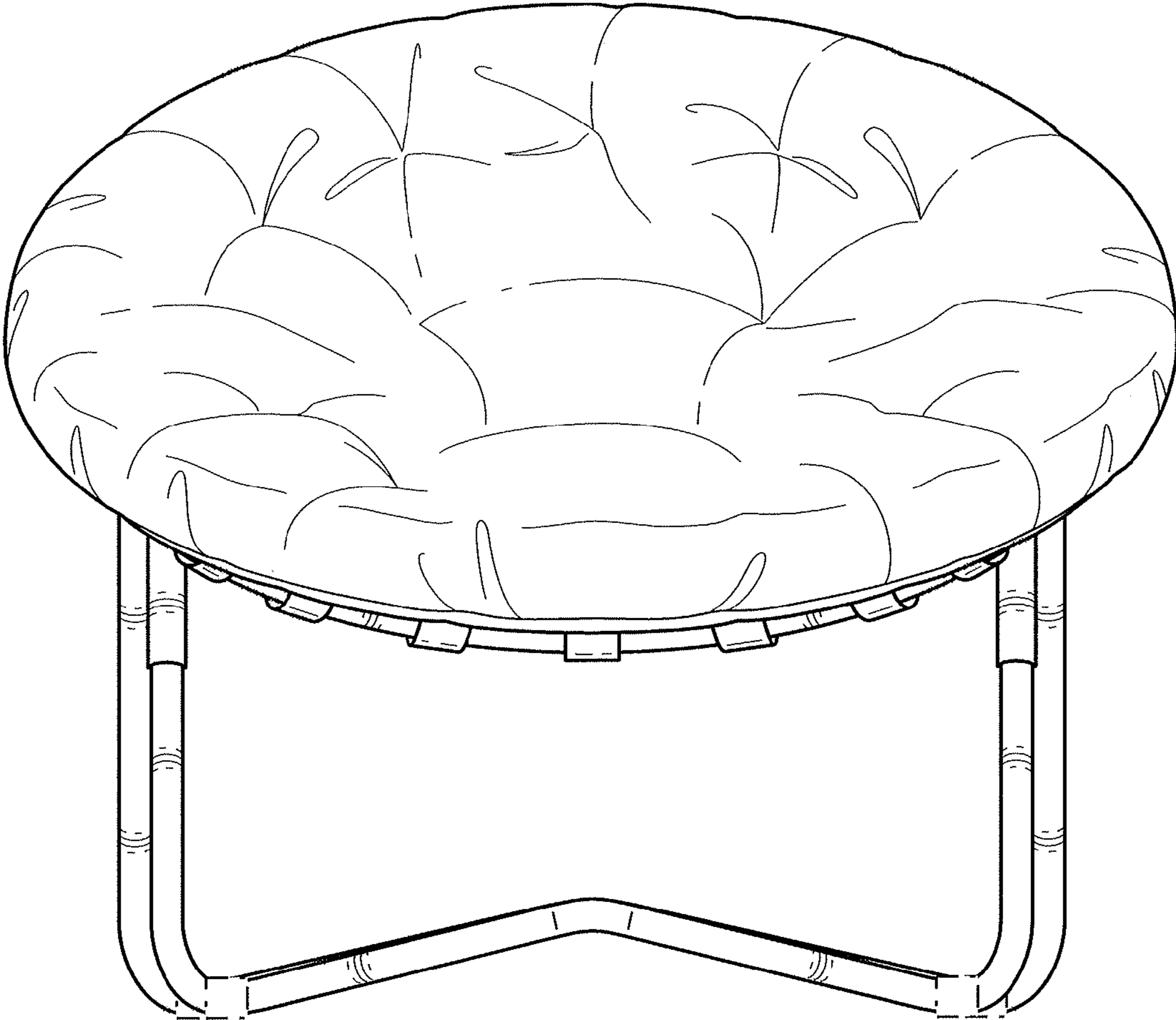


FIG. 2

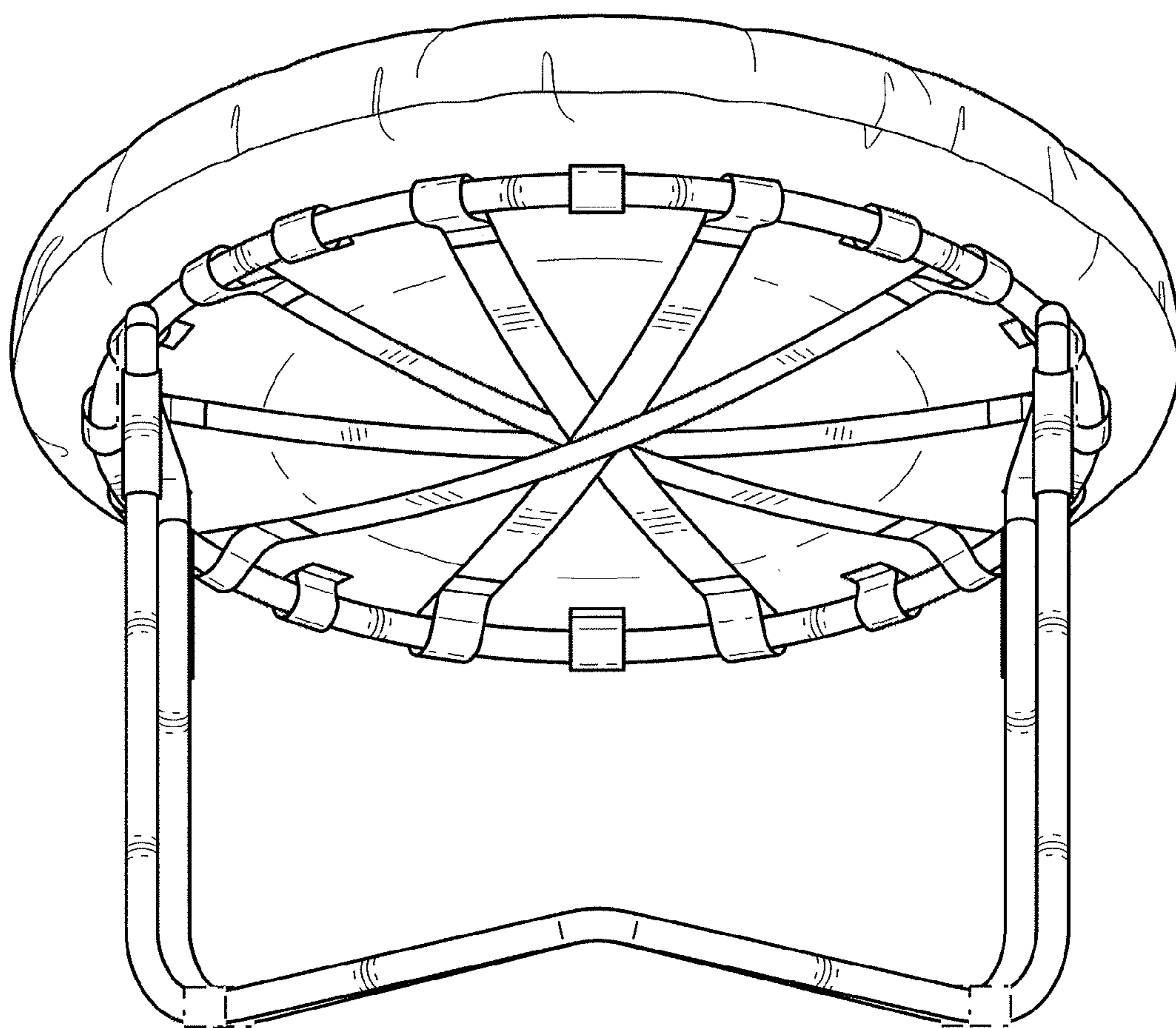


FIG. 3

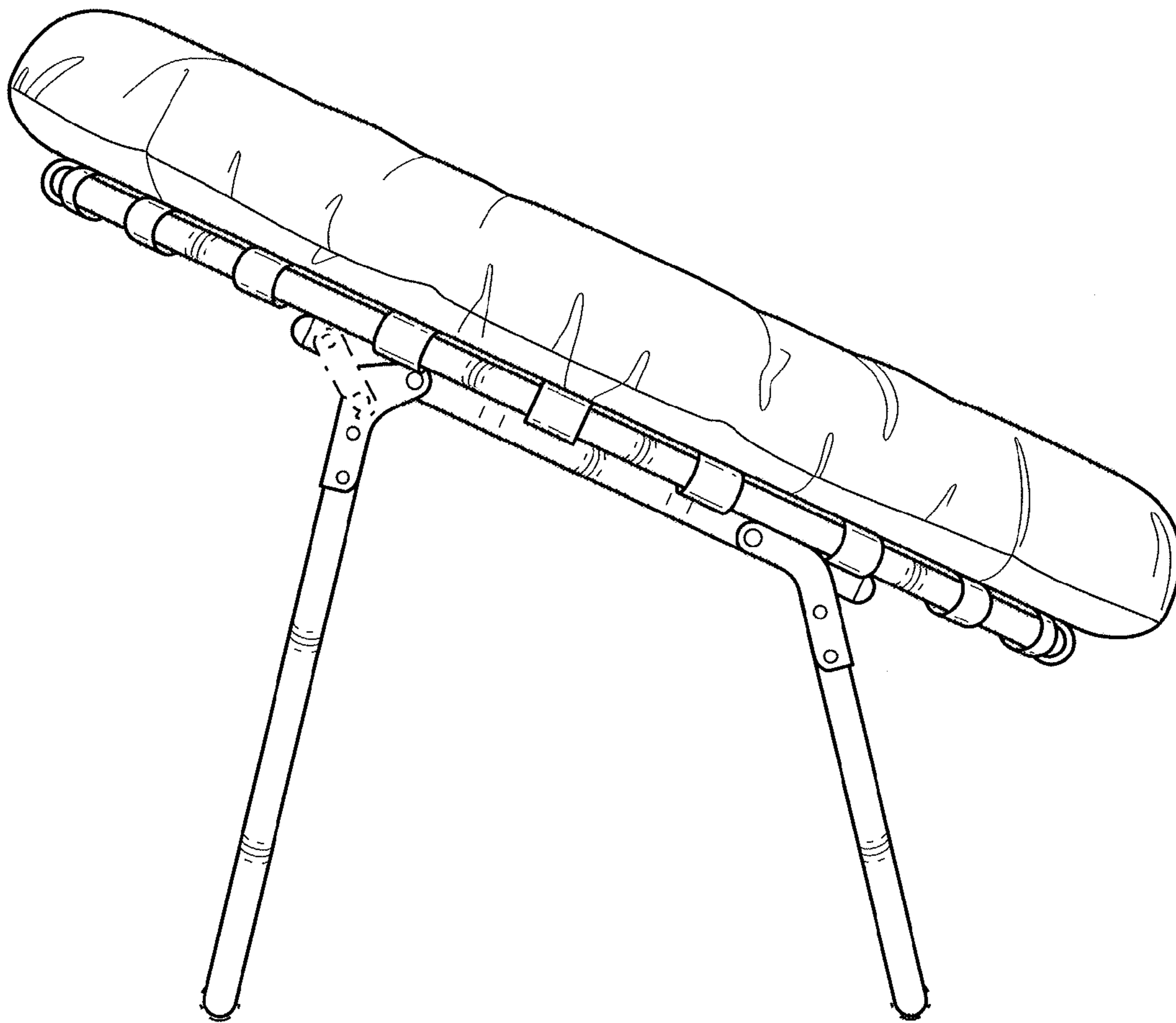


FIG. 4

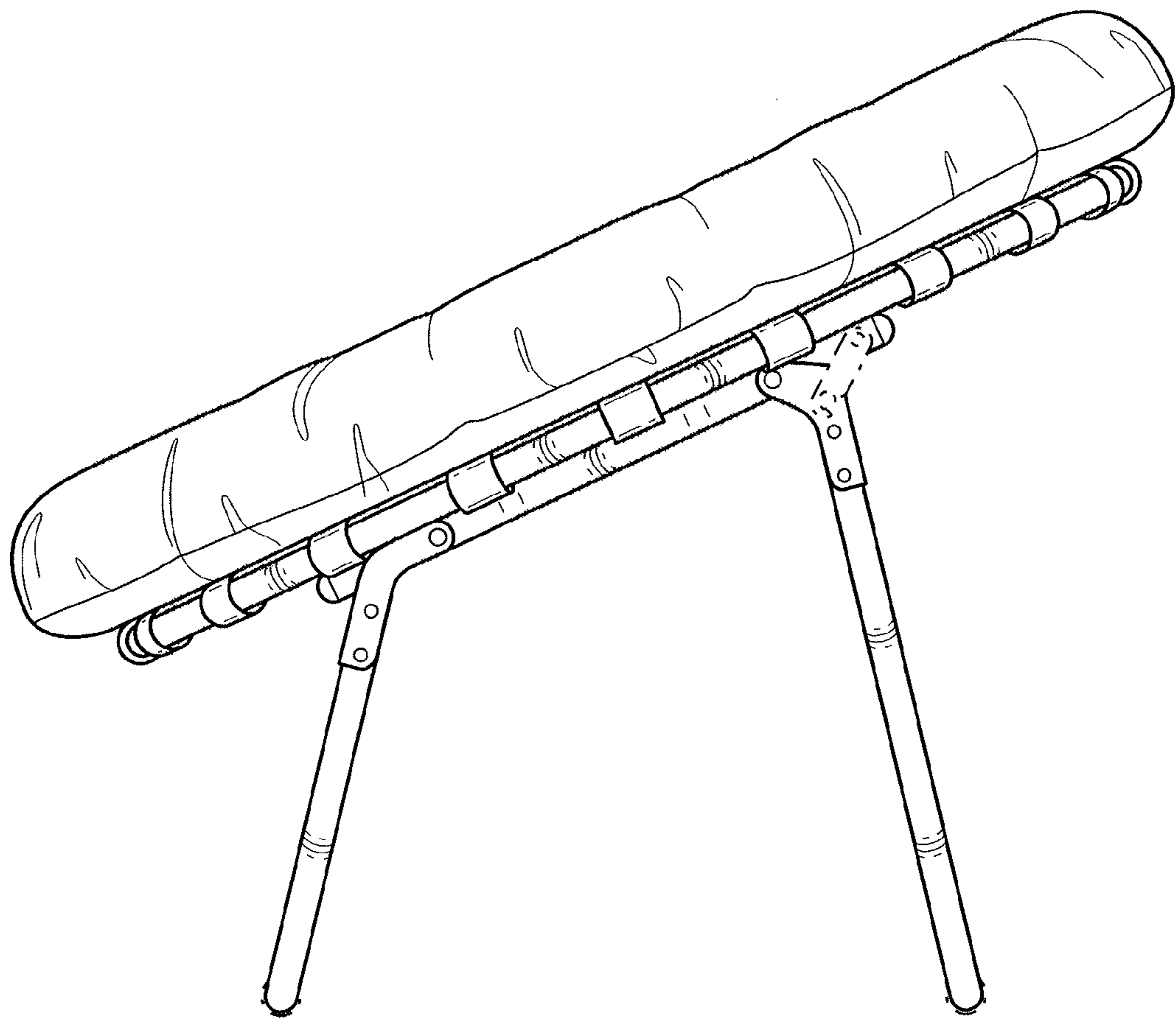


FIG. 5

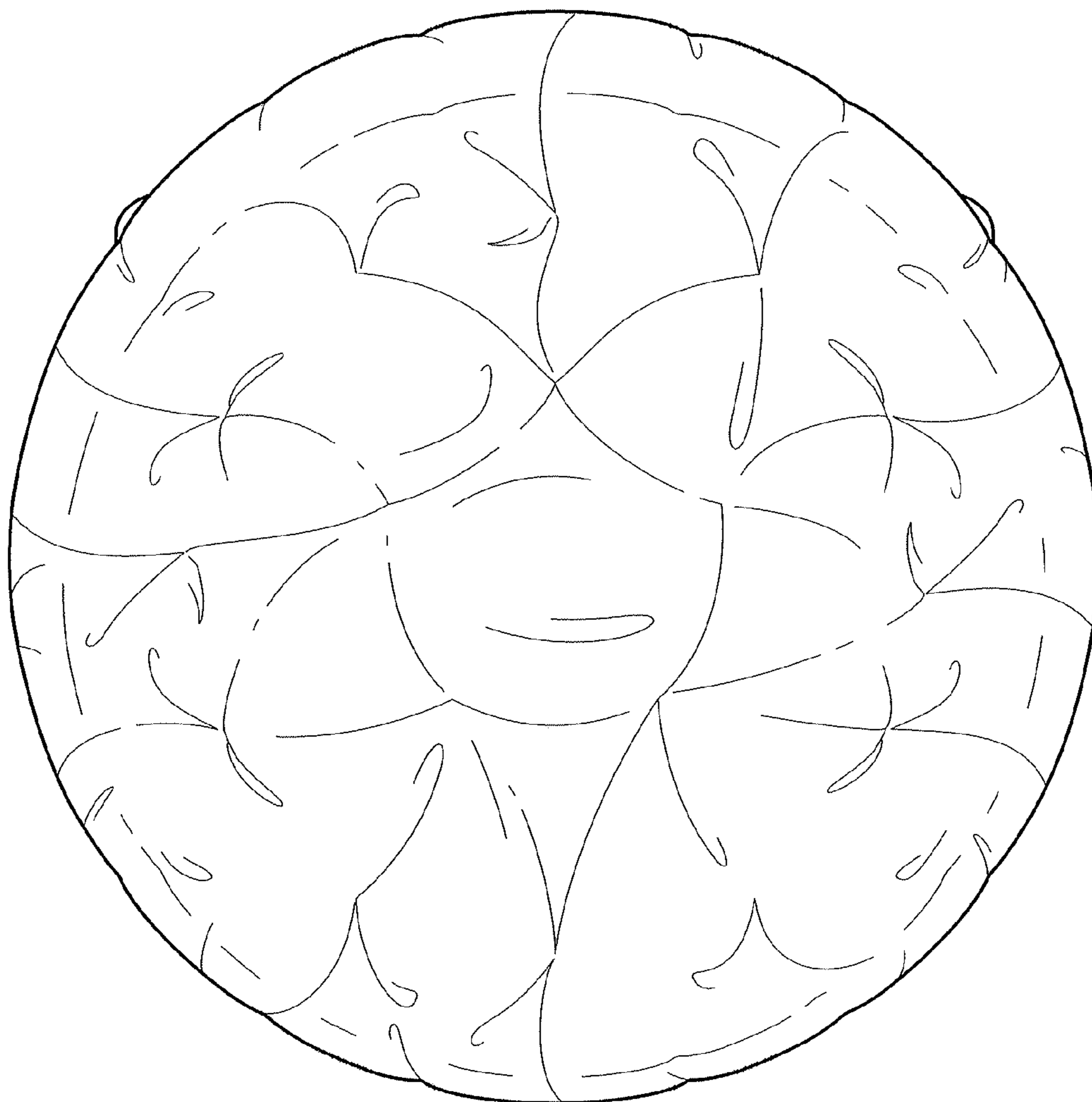


FIG. 6

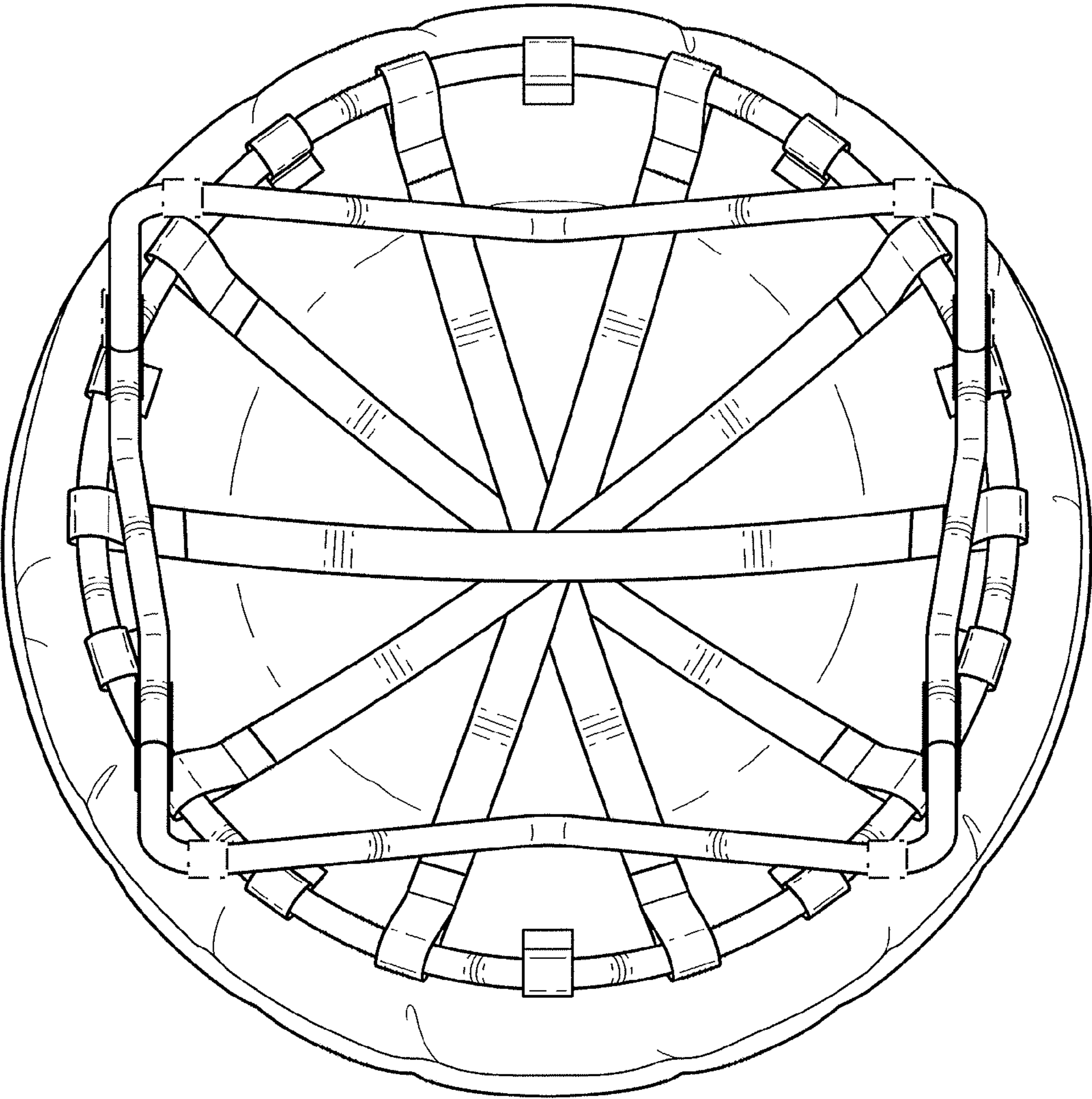


FIG. 7