



US00D756140S

(12) **United States Design Patent**
Kumazawa

(10) **Patent No.:** **US D756,140 S**
(45) **Date of Patent:** **** May 17, 2016**

(54) **CHAIR**

- (71) Applicant: **Aichi Co., Ltd.**, Nagoya-shi, Aichi-ken (JP)
- (72) Inventor: **Taku Kumazawa**, Ichinomiya (JP)
- (73) Assignee: **Aichi Co., Ltd.**, Nagoya-shi, Aichi-ken (JP)
- (**) Term: **14 Years**
- (21) Appl. No.: **29/493,717**
- (22) Filed: **Jun. 12, 2014**

(30) **Foreign Application Priority Data**

- Dec. 13, 2013 (JP) 2013-029293
- Dec. 13, 2013 (JP) 2013-029294
- Dec. 13, 2013 (JP) 2013-029297

- (51) **LOC (10) Cl.** **06-01**
- (52) **U.S. Cl.**

USPC **D6/368**; D6/376

(58) **Field of Classification Search**

- USPC D6/334-336, 368, 373, 374, 376, 379, D6/380, 716, 716.1, 716.2, 716.3, 716.4
- CPC A47C 1/46; A47C 4/03; A47C 4/04; A47C 4/18; A47C 5/04; A47C 5/10; A47C 7/40

See application file for complete search history.

(56) **References Cited**

U.S. PATENT DOCUMENTS

- D471,373 S * 3/2003 Starczewski D6/368
- D513,902 S * 1/2006 Piretti D6/379
- D589,276 S * 3/2009 Dauphin D6/380
- D605,867 S * 12/2009 Lu D6/368
- D667,649 S * 9/2012 Waite D6/368
- D686,833 S * 7/2013 Chan D6/376
- D686,835 S * 7/2013 Mascetti D6/376
- 8,690,243 B2 * 4/2014 Fletcher A47C 3/04 297/239
- D715,069 S * 10/2014 Zhu D6/376
- D736,007 S * 8/2015 Lu D6/374
- D740,044 S * 10/2015 Brown D6/376

FOREIGN PATENT DOCUMENTS

- JP 1124178 S 10/2001
- JP 1160995 S 12/2002
- JP 1326403 S 4/2008
- JP 1333872 S 5/2008

* cited by examiner

Primary Examiner — Mimoso De

(74) *Attorney, Agent, or Firm* — Jenkins, Wilson, Taylor & Hunt, P.A.

(57) **CLAIM**

The ornamental design for a chair, as shown and described.

DESCRIPTION

FIG. 1 is a front perspective view of a chair according to a first embodiment in an unfolded state showing my design;

FIG. 2 is a rear perspective view of the chair according to the first embodiment in an unfolded state;

FIG. 3 is a top plan view of the chair according to the first embodiment in an unfolded state;

FIG. 4 is a bottom plan view of the chair according to the first embodiment in an unfolded state;

FIG. 5 is a right side elevation view of the chair according to the first embodiment in an unfolded state, the left side elevation view of the chair according to the first embodiment being a mirror image of the right side elevation view shown in FIG. 5;

FIG. 6 is a front elevation view of the chair according to the first embodiment in an unfolded state;

FIG. 7 is a rear elevation view of the chair according to the first embodiment in an unfolded state;

FIG. 8 is a cross-sectional view of the chair taken along line 8-8 of FIG. 6 according to the first embodiment in an unfolded state;

FIG. 9 is a right side elevation view of the chair according to the first embodiment in a folded state;

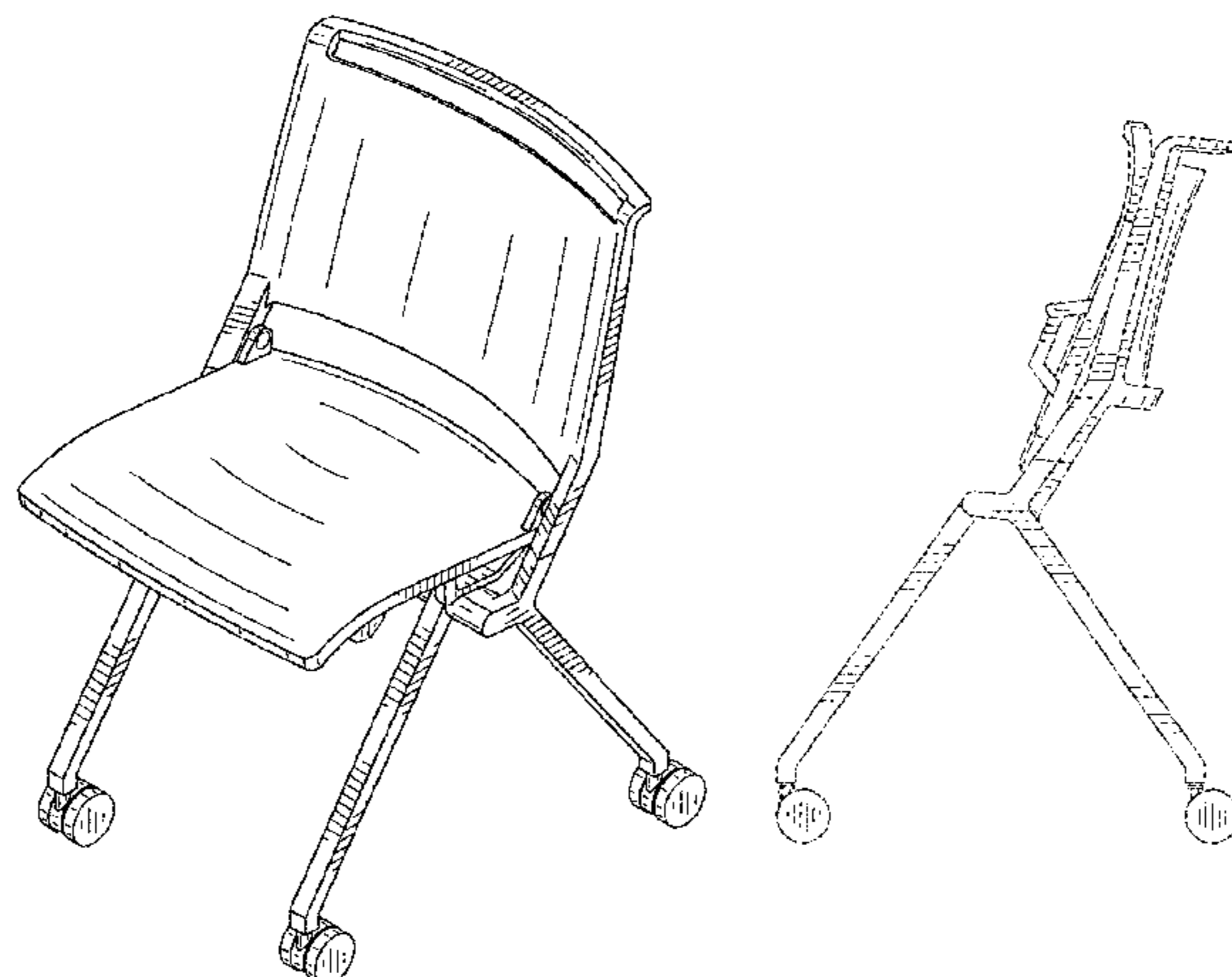


FIG. 10 is a right side elevation view illustrating two chairs according to the first embodiment in a folded state and stacked in a front-back direction;

FIG. 11 is a front perspective view of a chair according to a second embodiment in an unfolded state showing my design;

FIG. 12 is a rear perspective view of the chair according to the second embodiment in an unfolded state;

FIG. 13 is a top plan view of the chair according to the second embodiment in an unfolded state;

FIG. 14 is a bottom plan view of the chair according to the second embodiment in an unfolded state;

FIG. 15 is a right side elevation view of the chair according to the second embodiment in an unfolded state, the left side elevation view of the chair according to the second embodiment being a mirror image of the right side elevation view shown in FIG. 15;

FIG. 16 is a front elevation view of the chair according to the second embodiment in an unfolded state;

FIG. 17 is a rear elevation view of the chair according to the second embodiment in an unfolded state;

FIG. 18 is a cross-sectional view of the chair taken along line 18-18 of FIG. 16 according to the second embodiment in an unfolded state;

FIG. 19 is a right side elevation view of the chair according to the second embodiment in a folded state; and,

FIG. 20 is a right side elevation view illustrating two chairs according to the second embodiment in a folded state and stacked in a front-back direction;

The broken lines showing one of the chairs in FIGS. 10 and 20 are for illustrative purposes only and form no part of the claimed design.

1 Claim, 12 Drawing Sheets

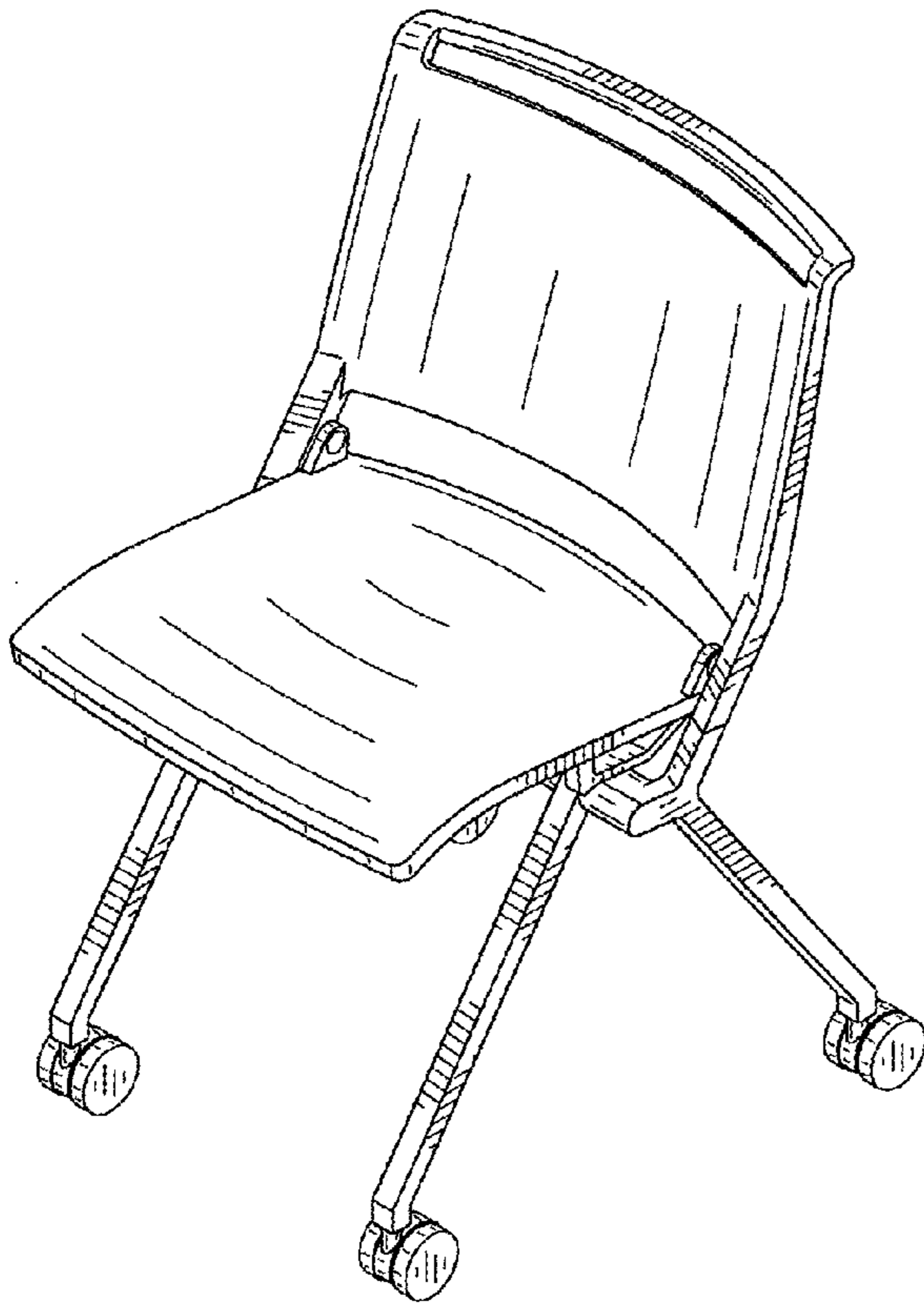


FIG. 1

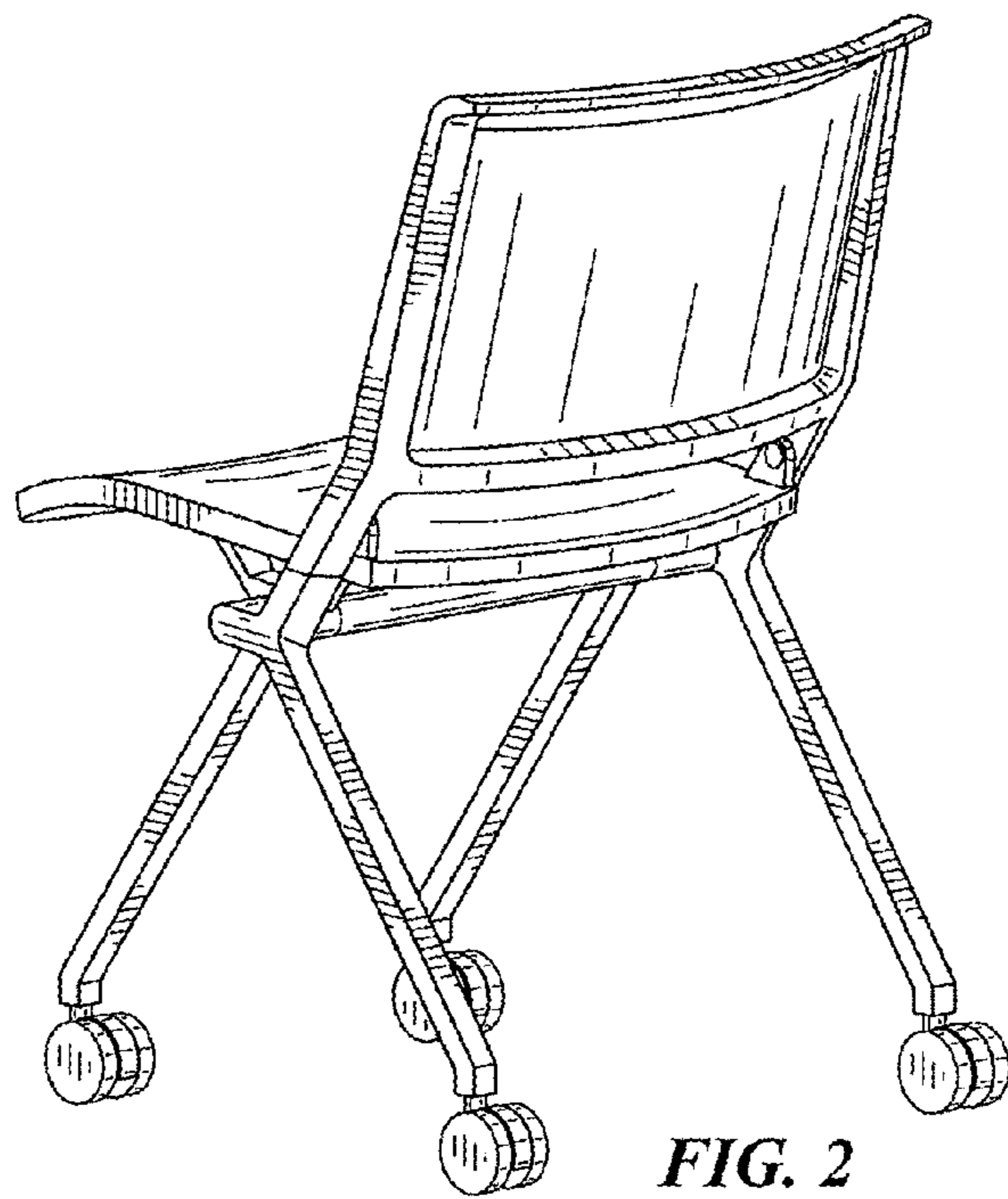


FIG. 2

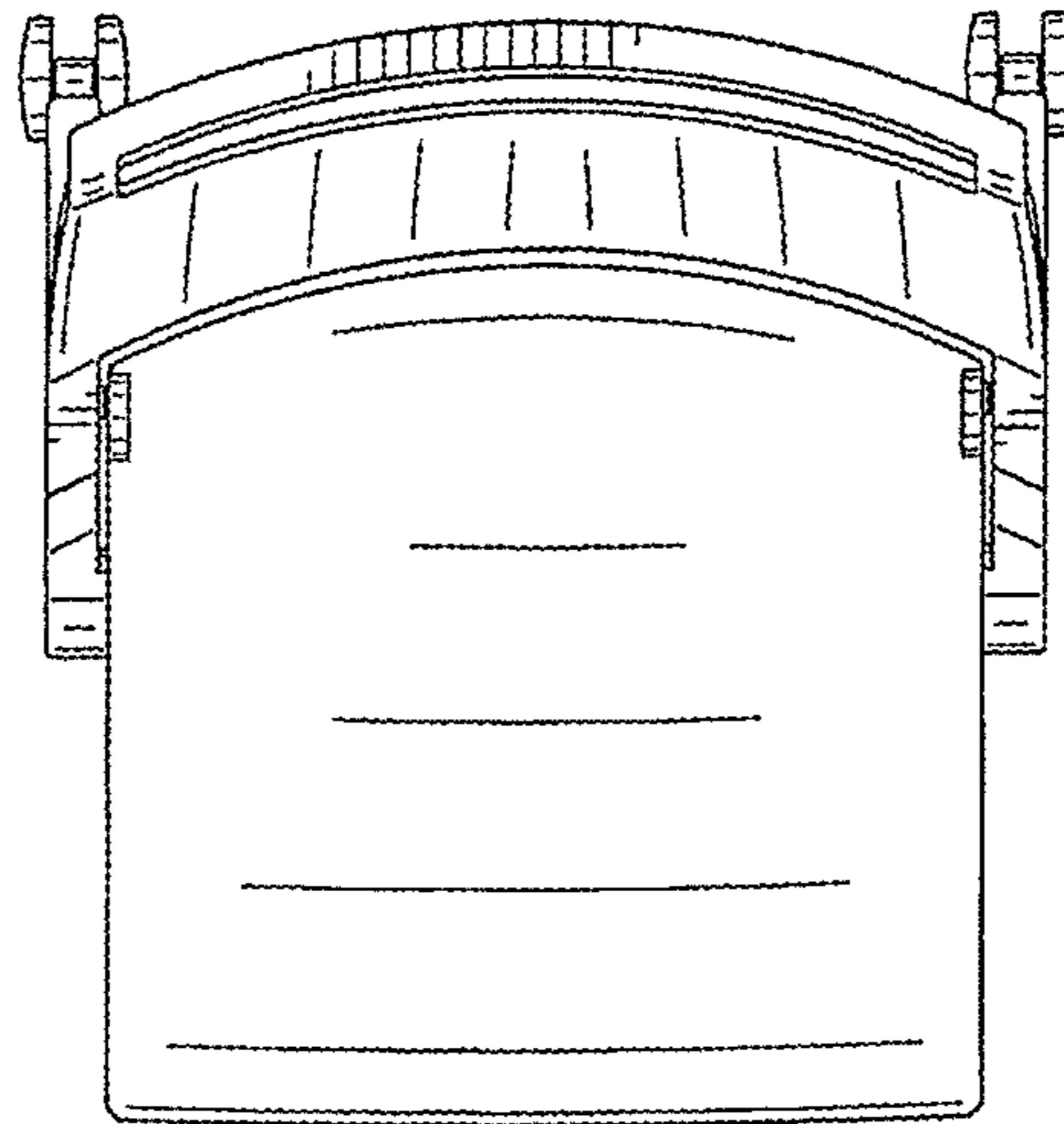


FIG. 3

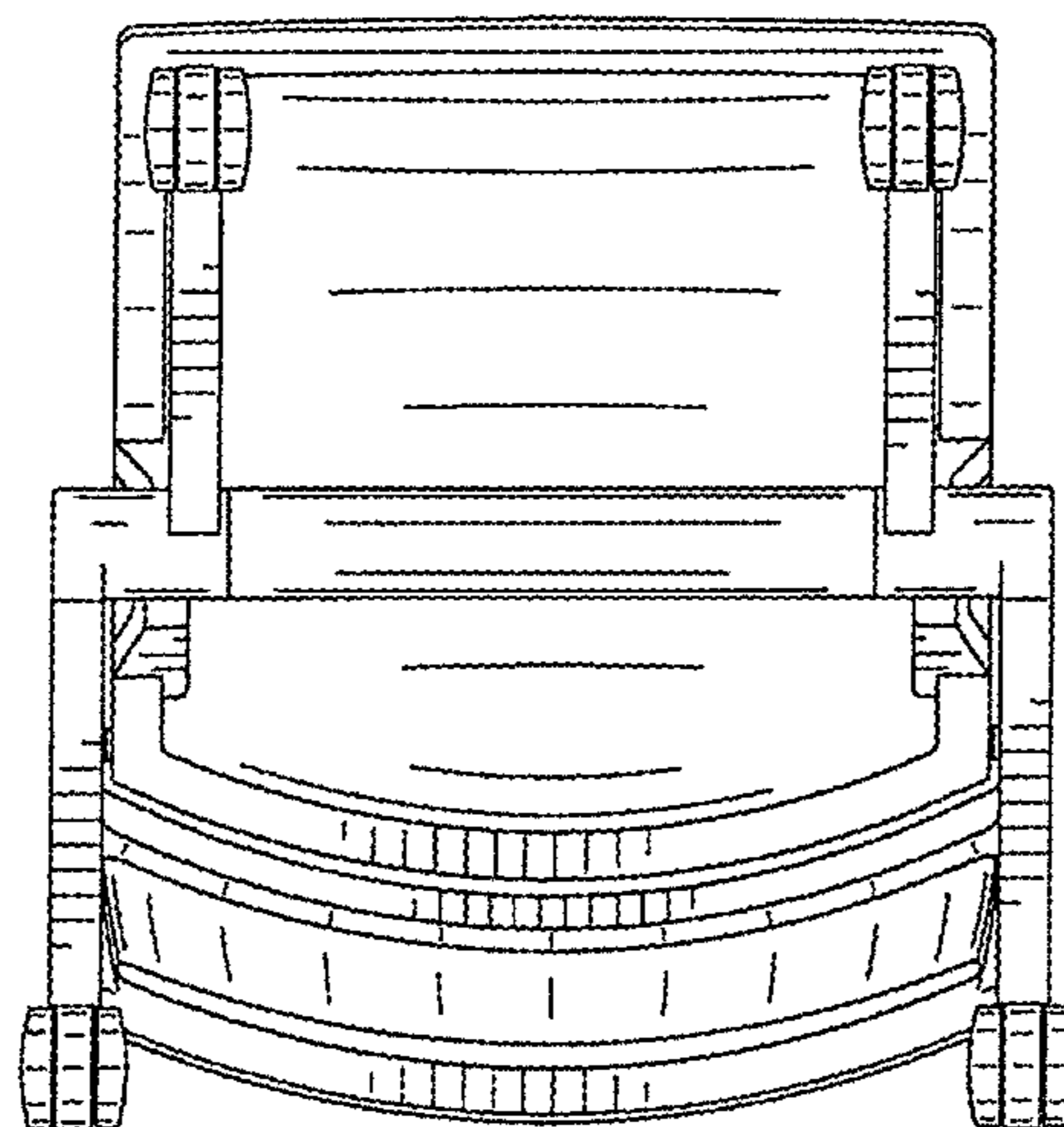


FIG. 4

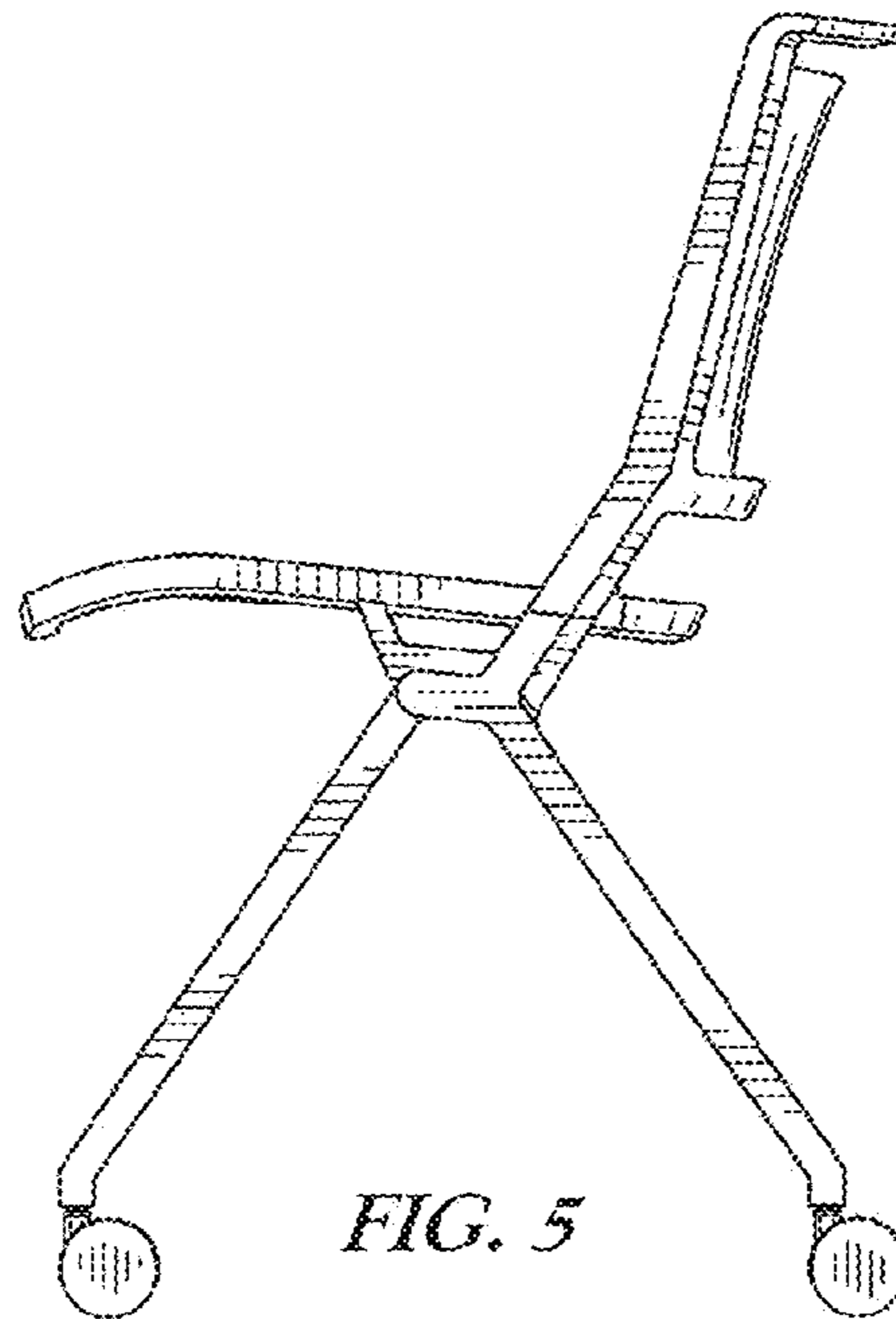


FIG. 5

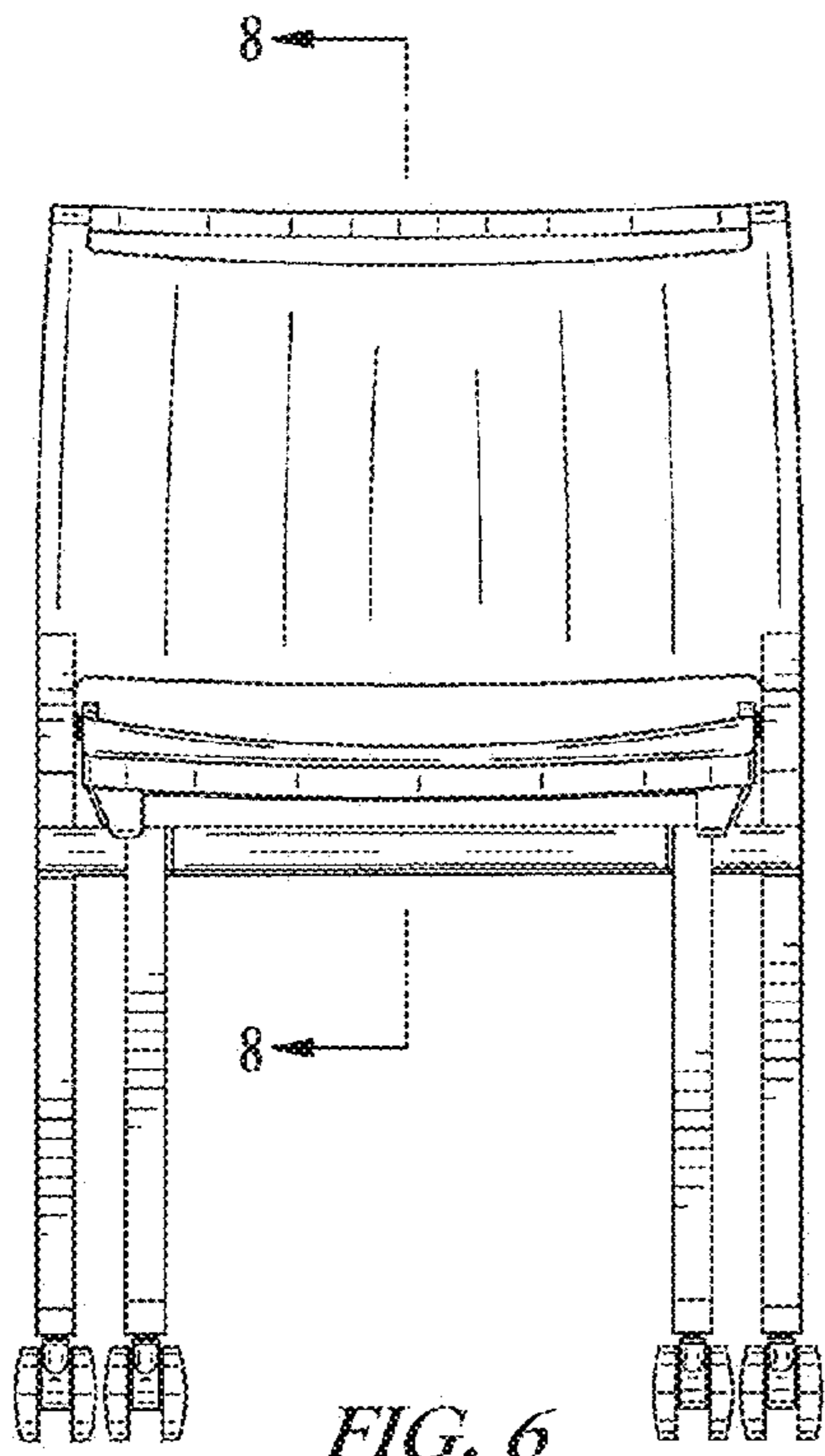


FIG. 6

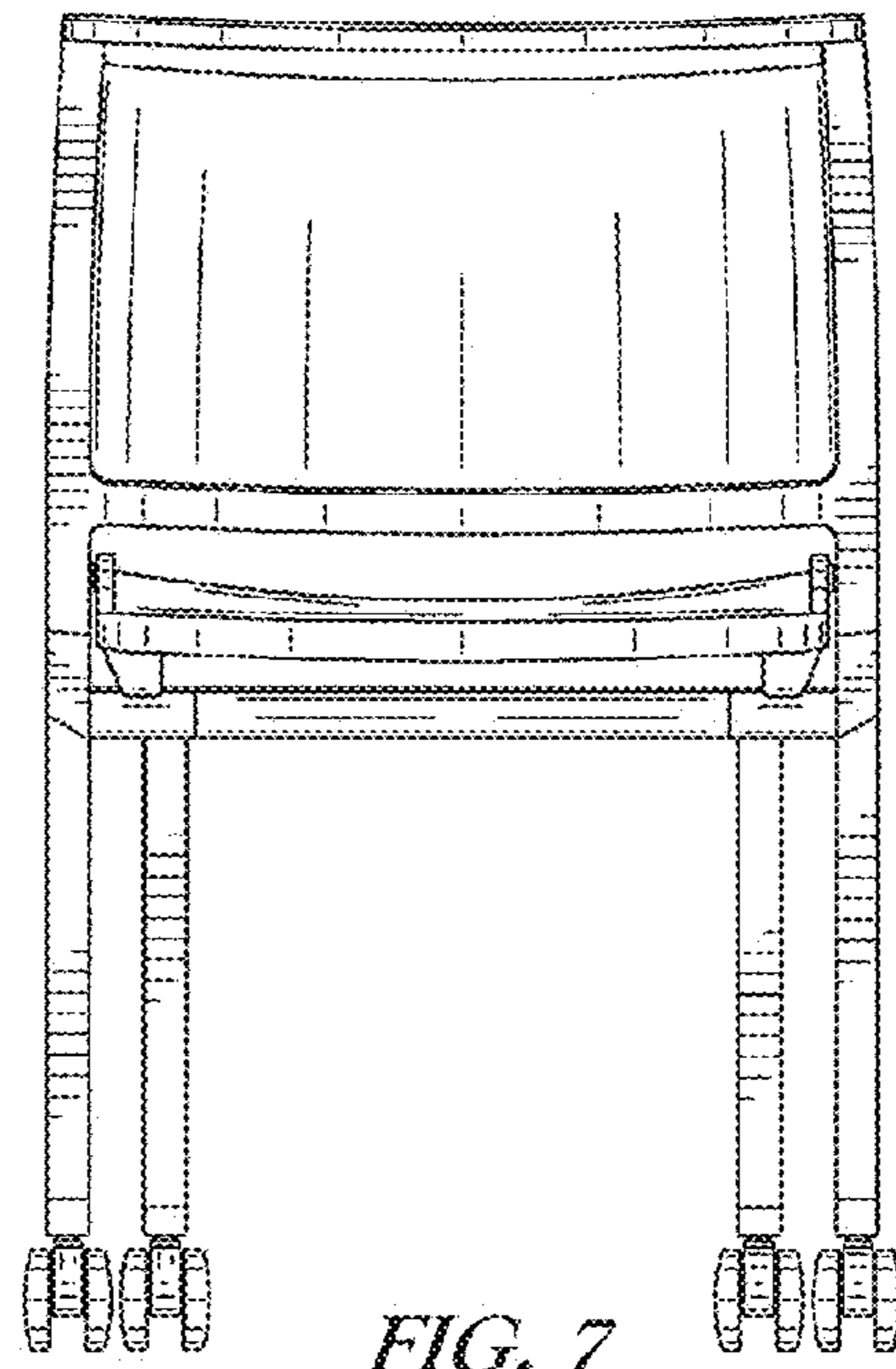


FIG. 7

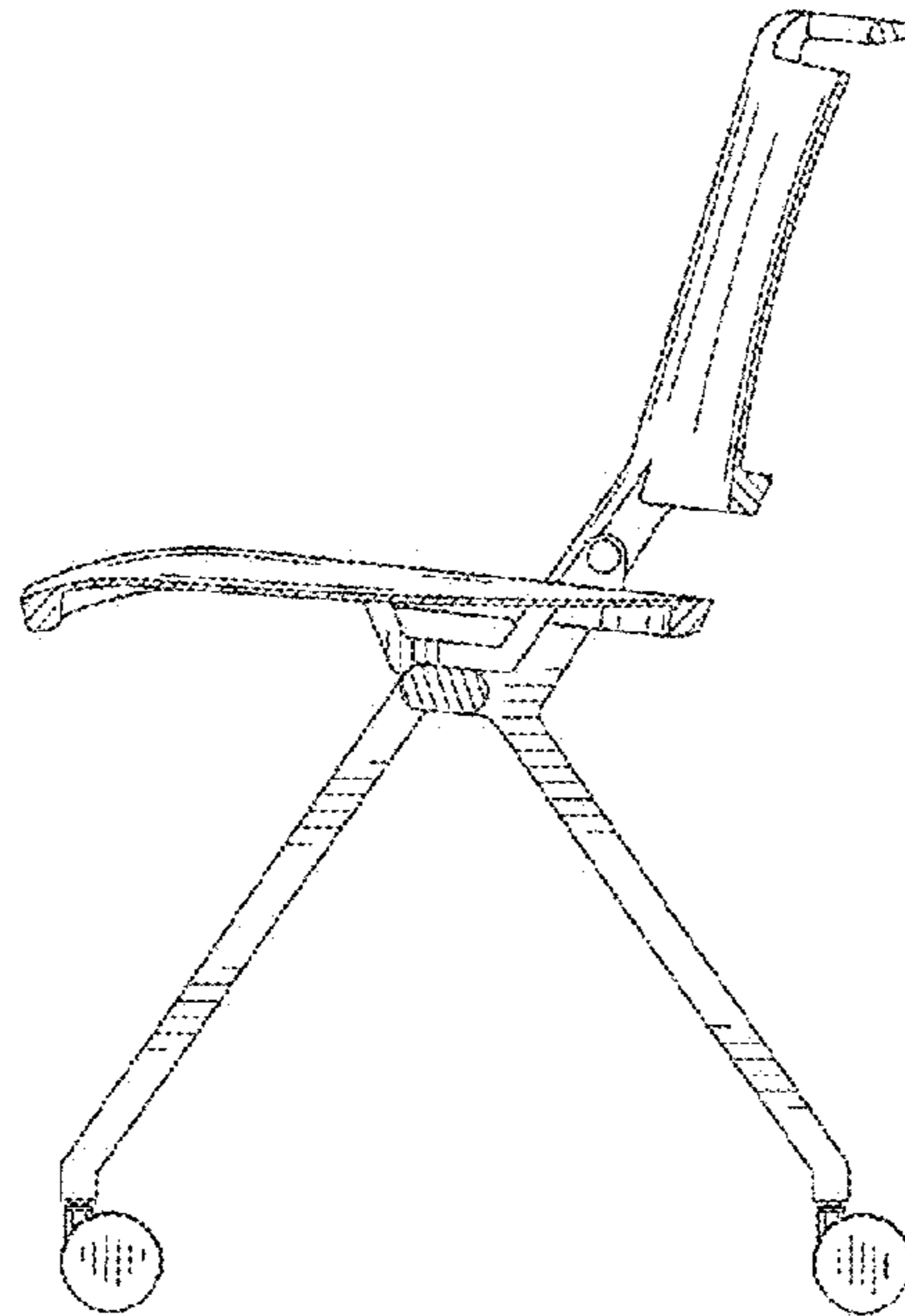


FIG. 8

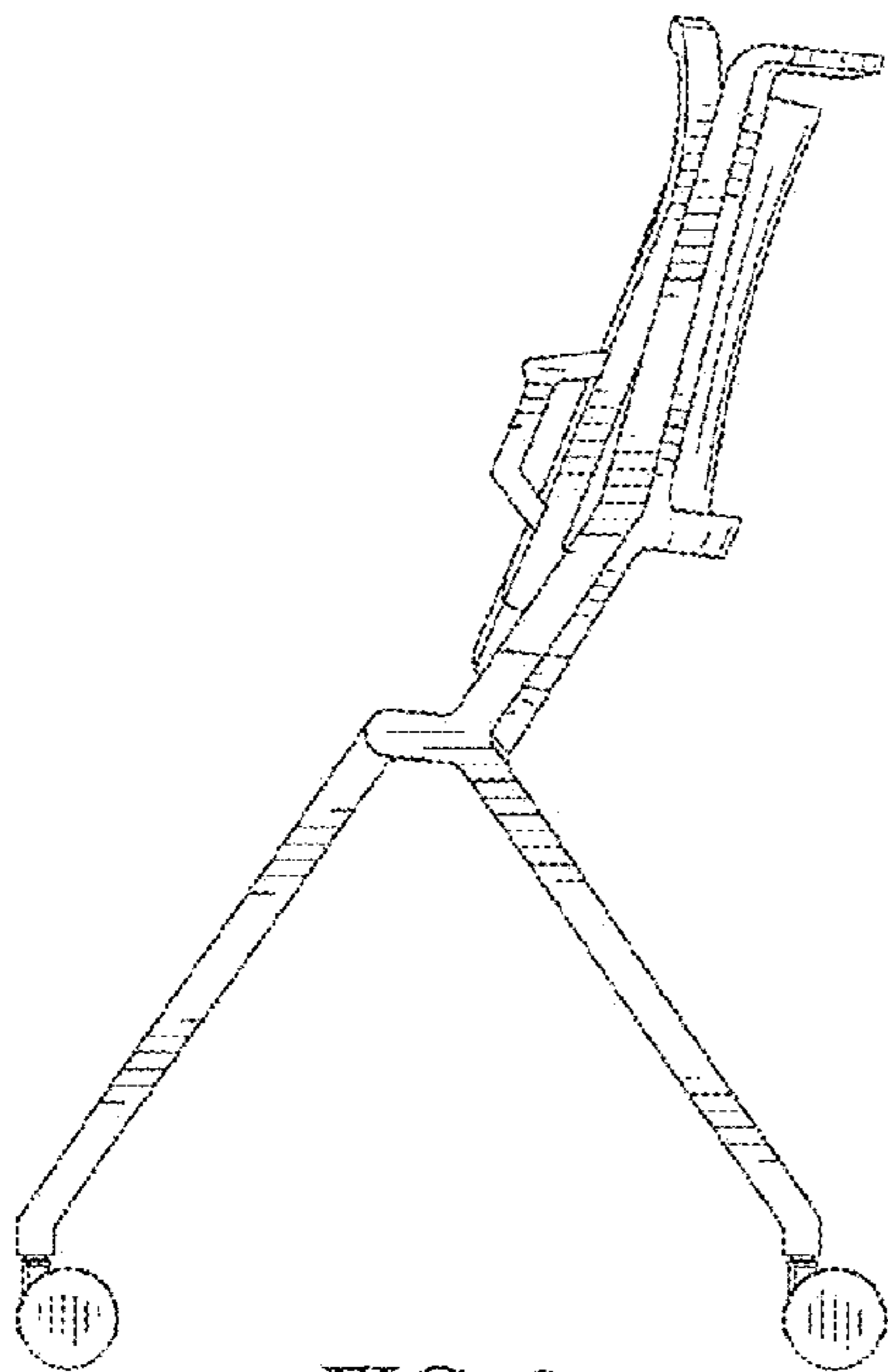


FIG. 9

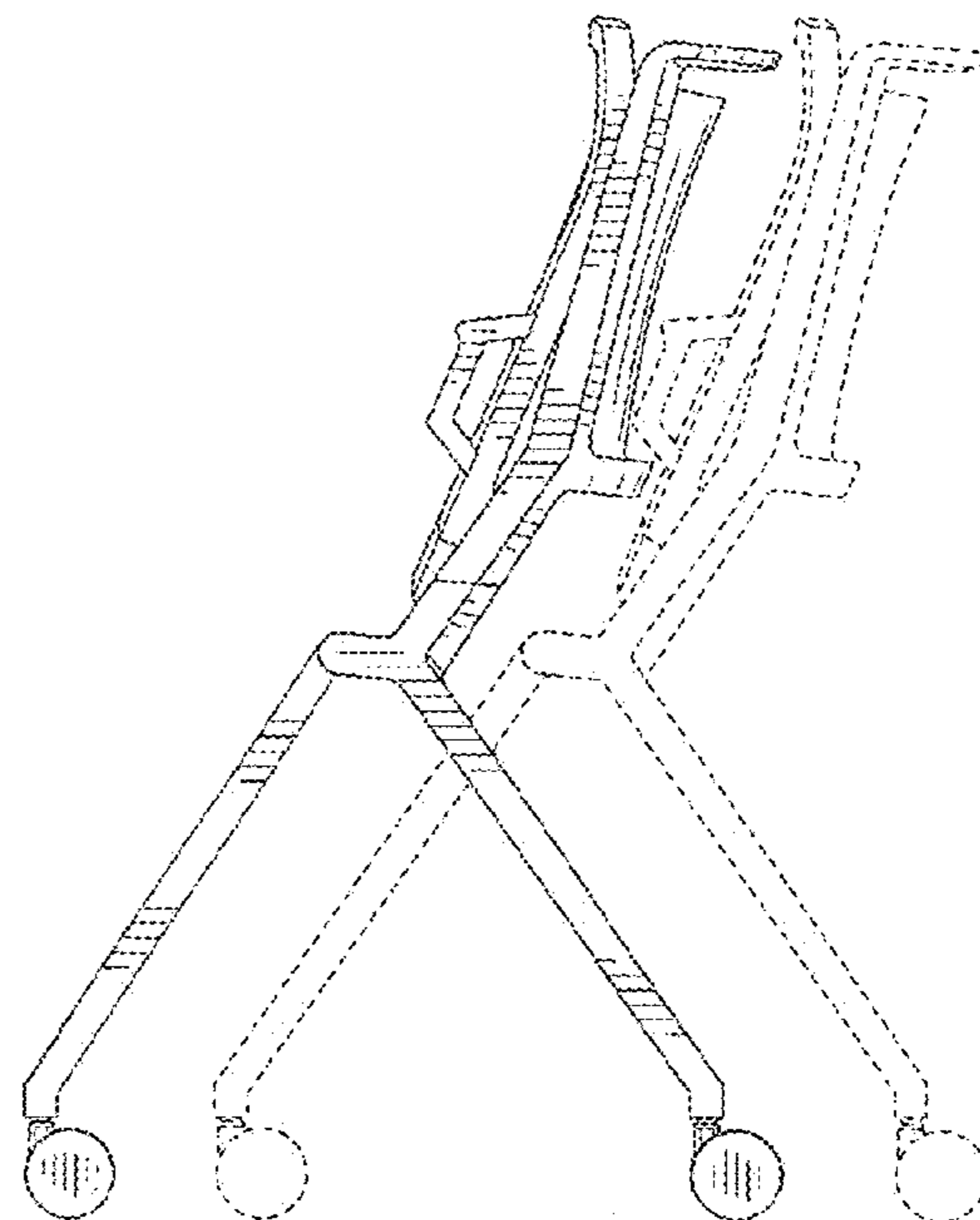


FIG. 10

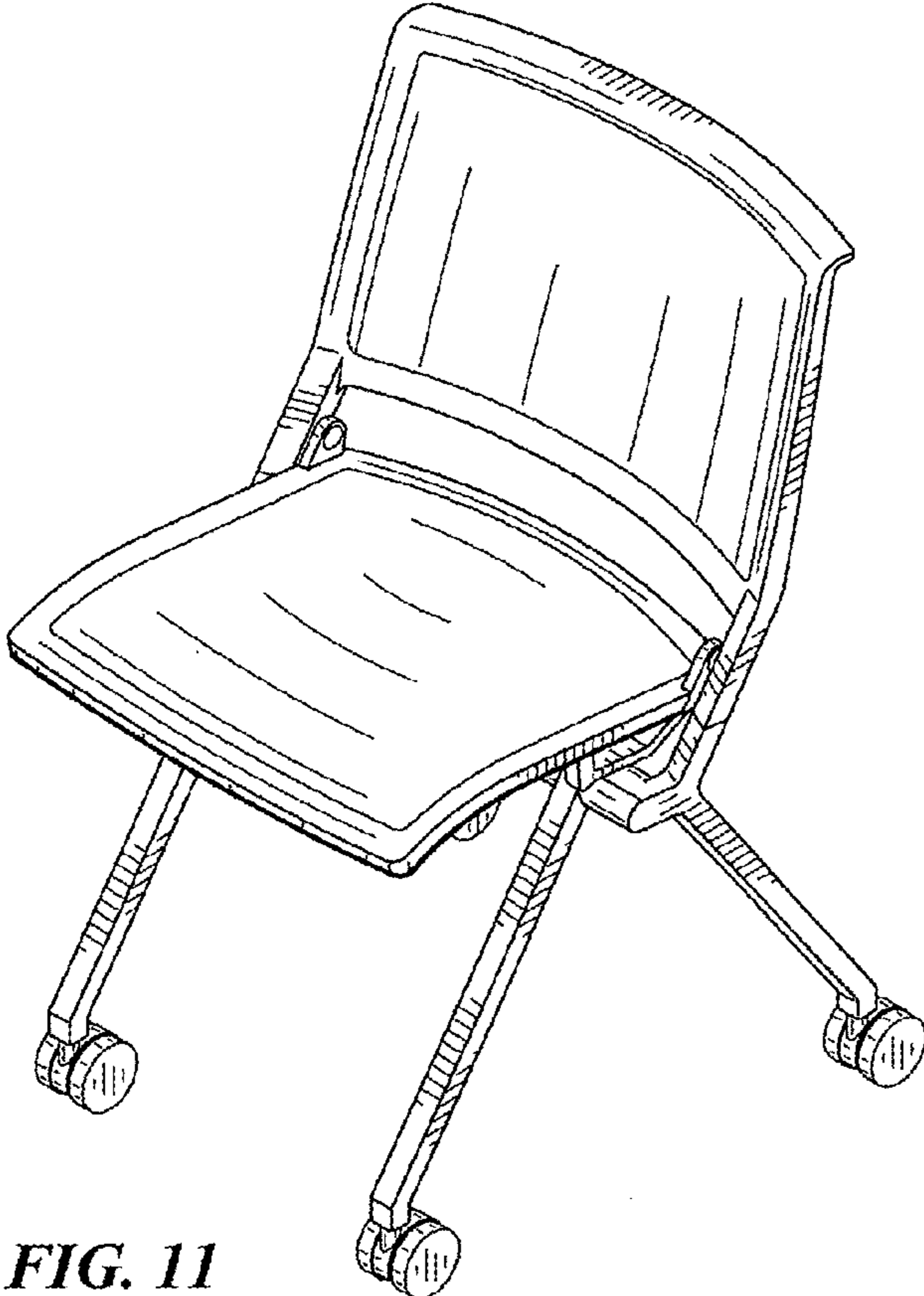


FIG. 11

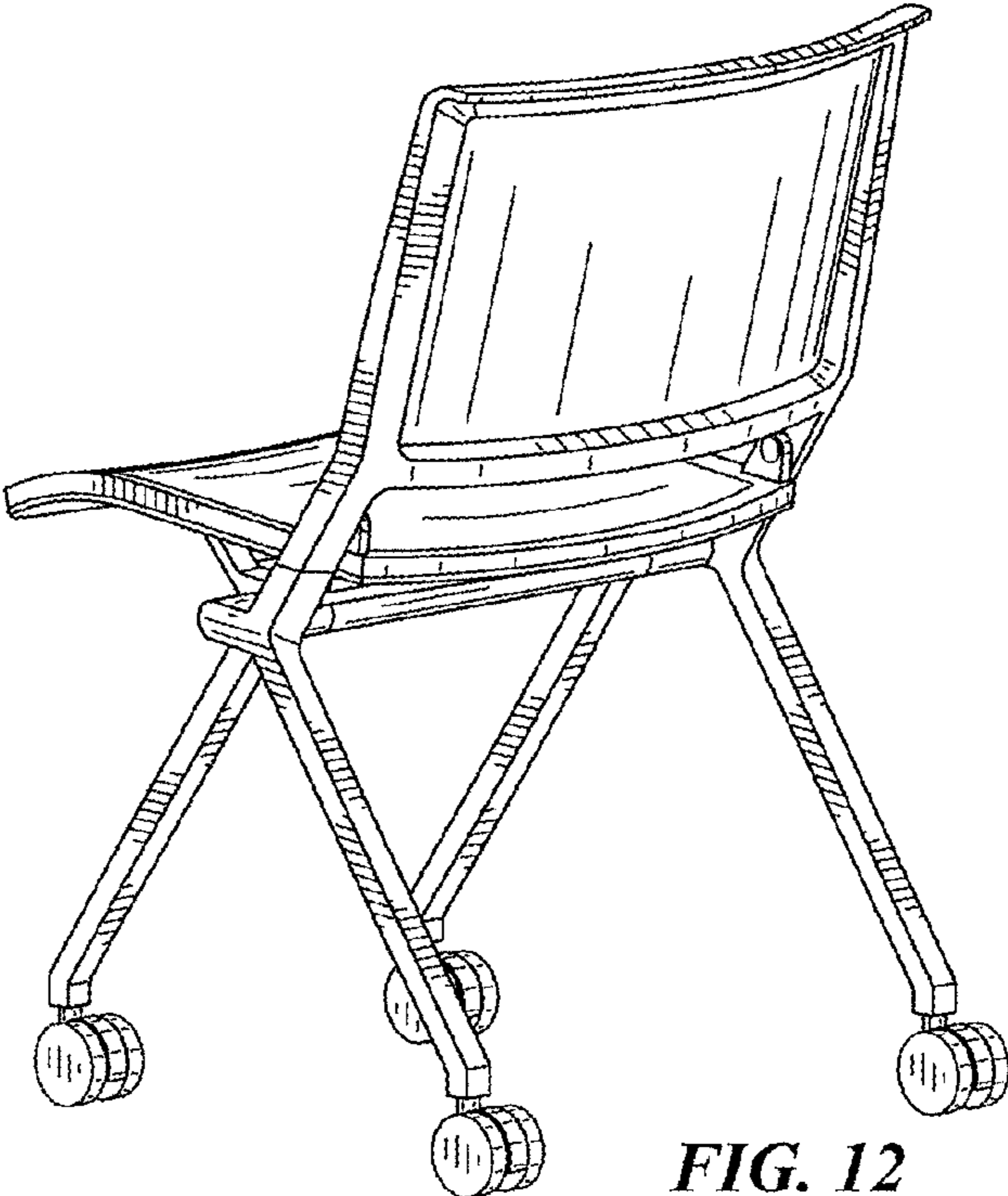


FIG. 12

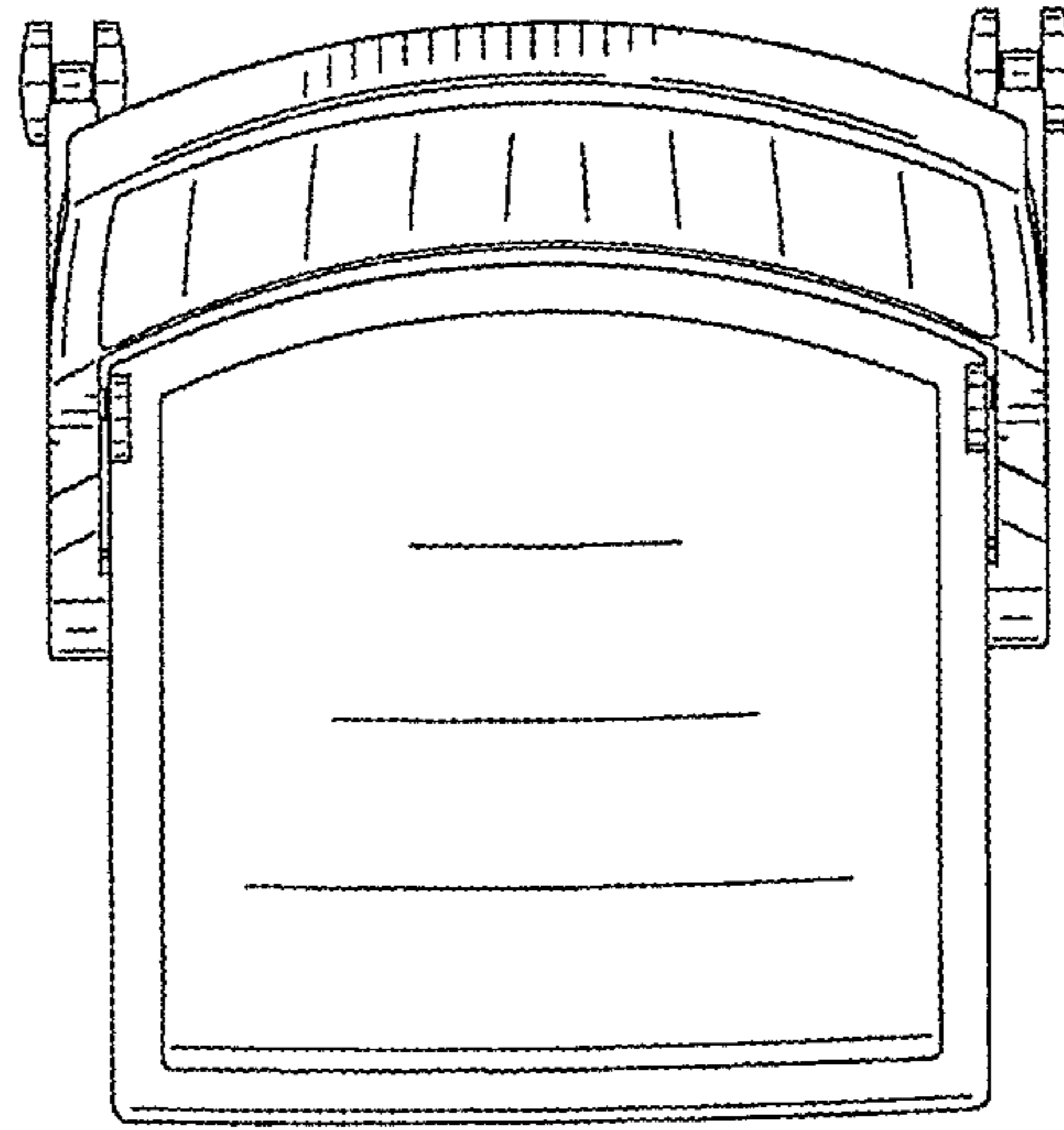


FIG. 13

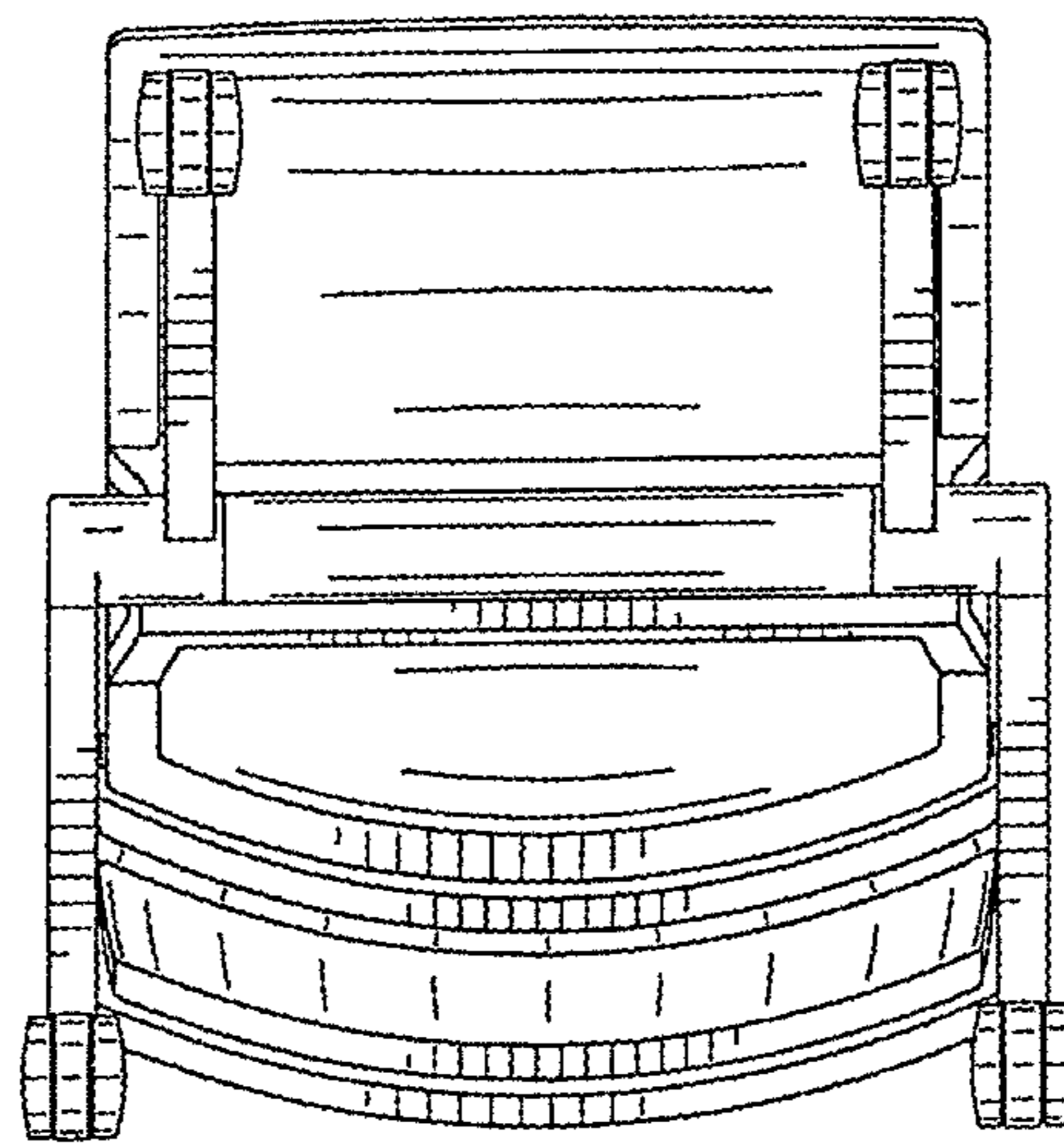


FIG. 14

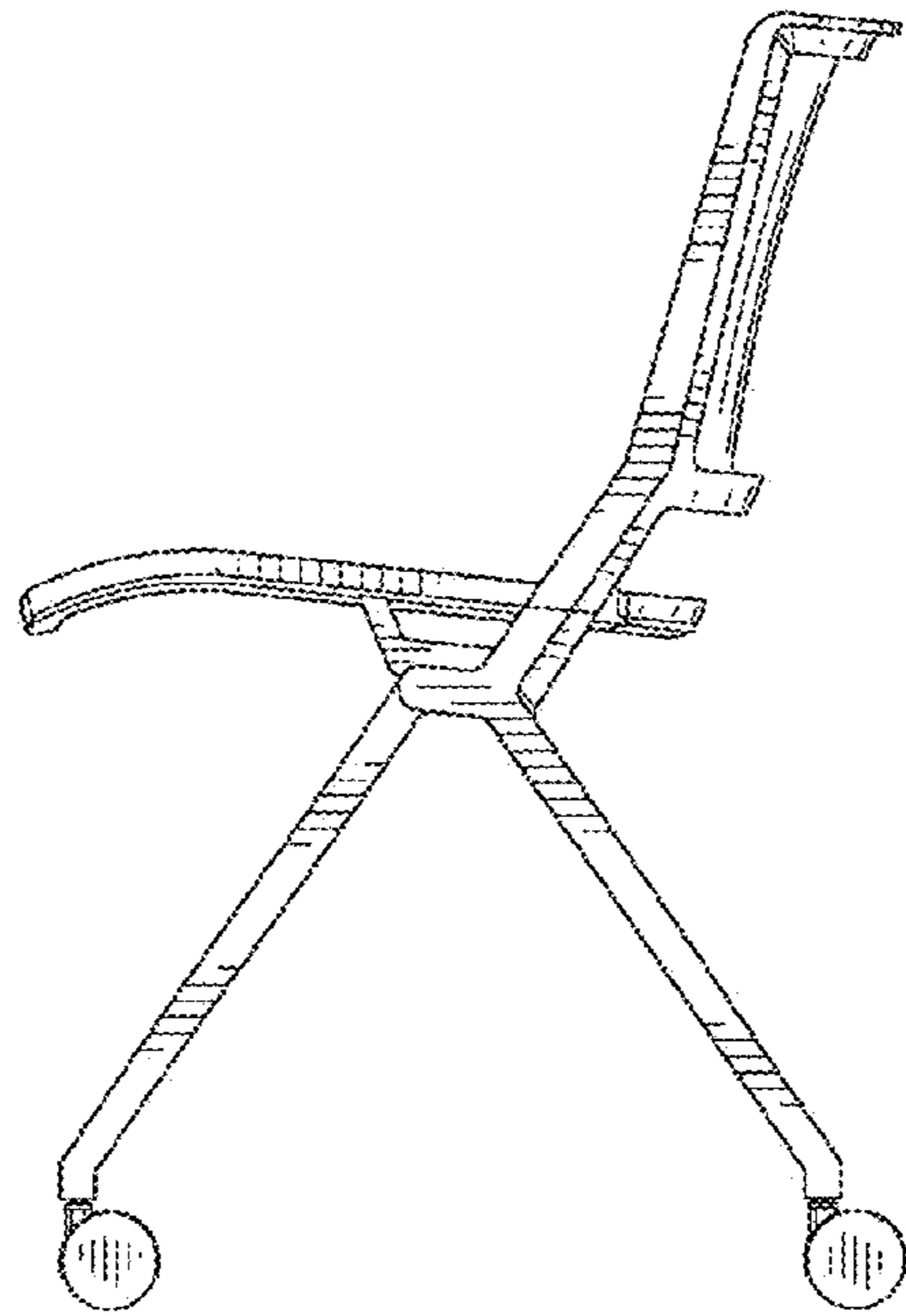


FIG. 15

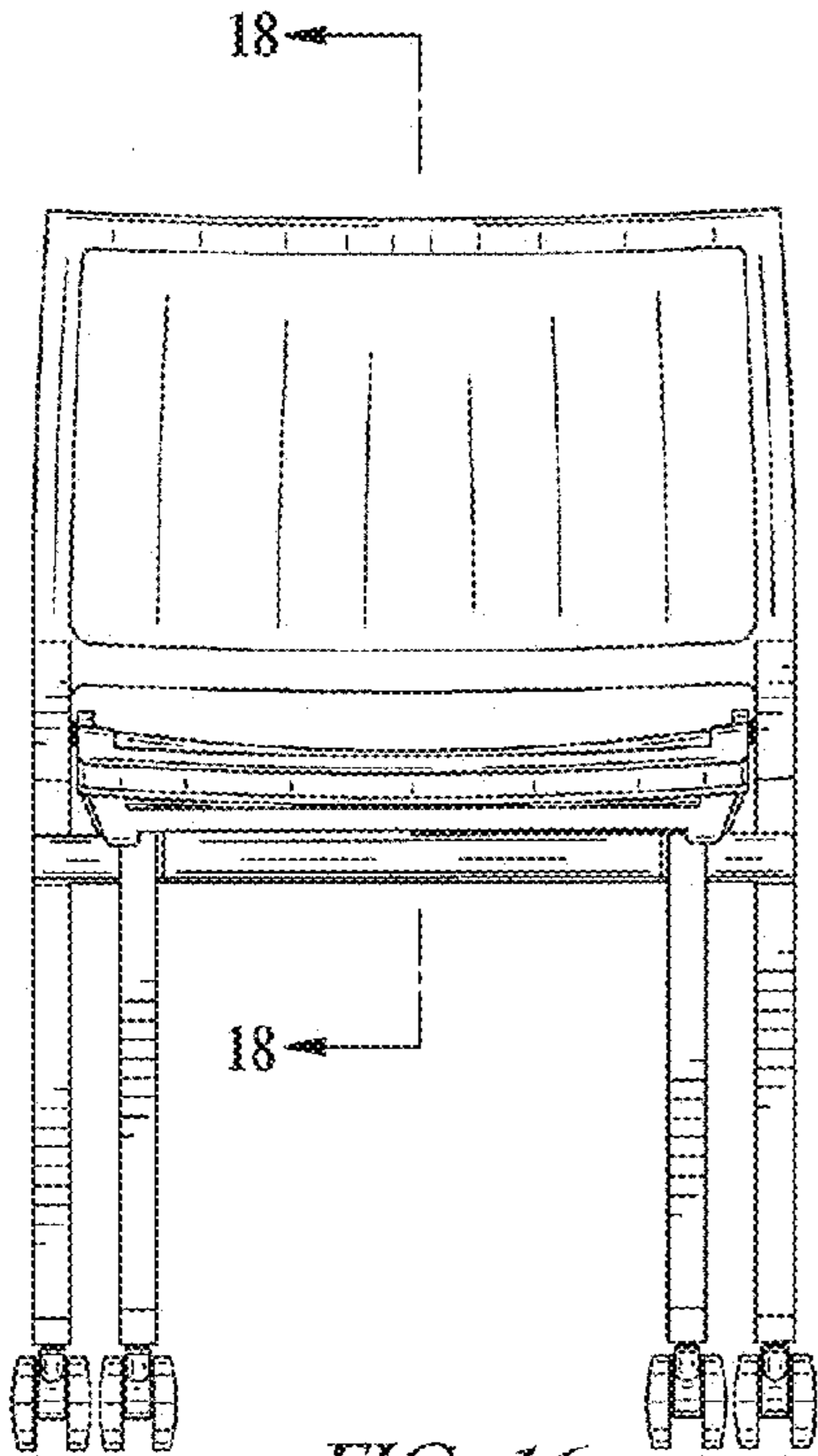


FIG. 16

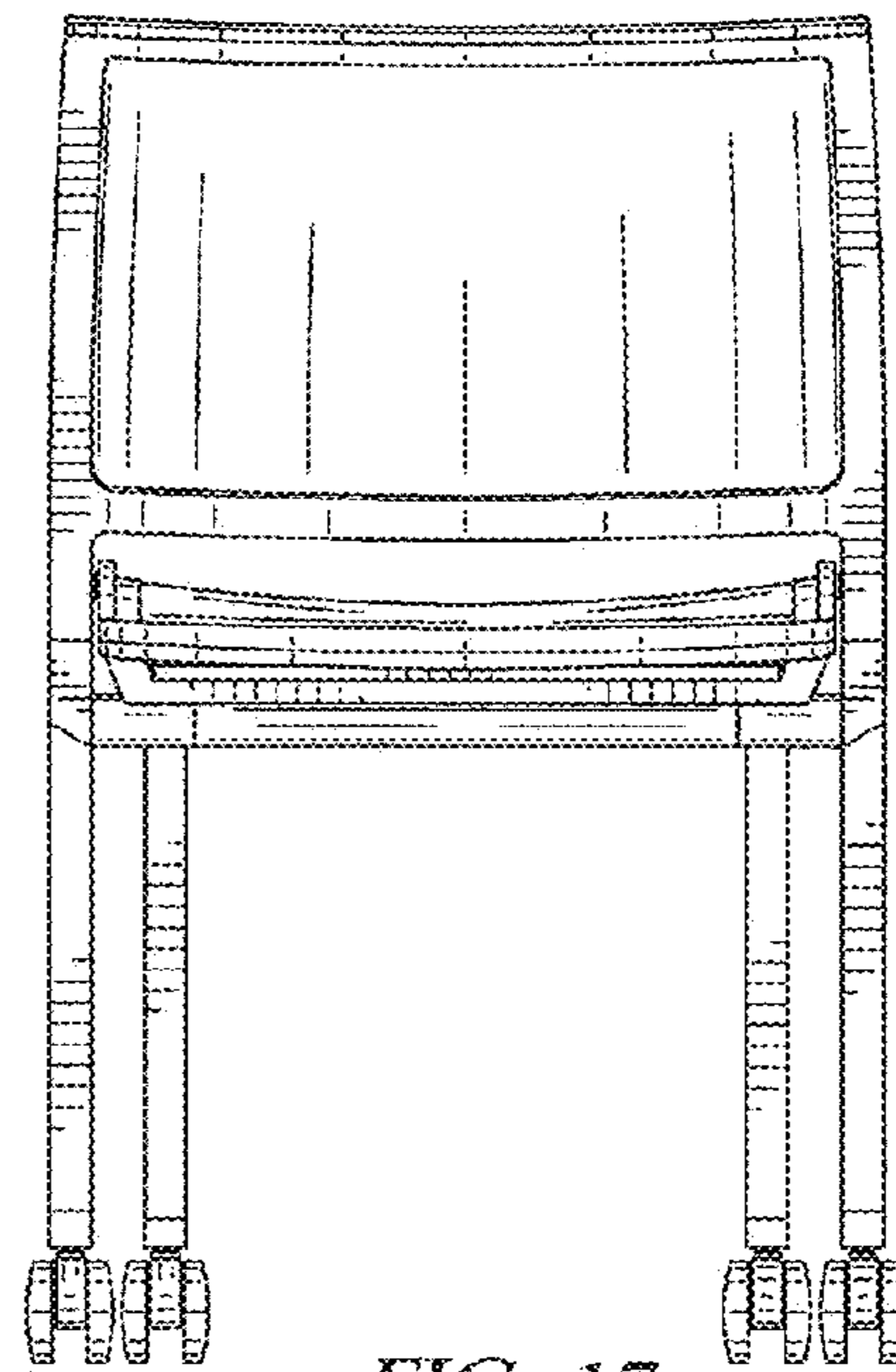


FIG. 17

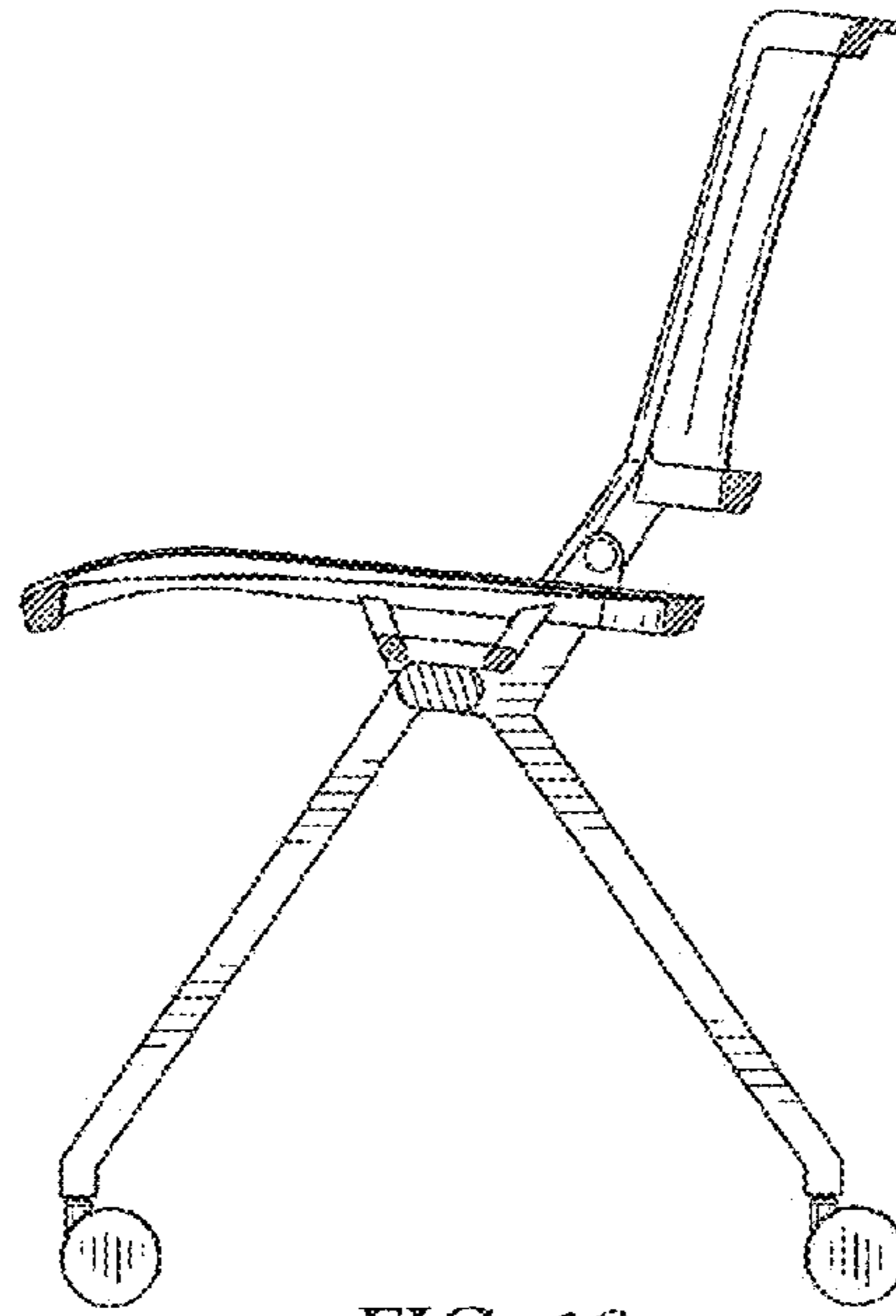


FIG. 18

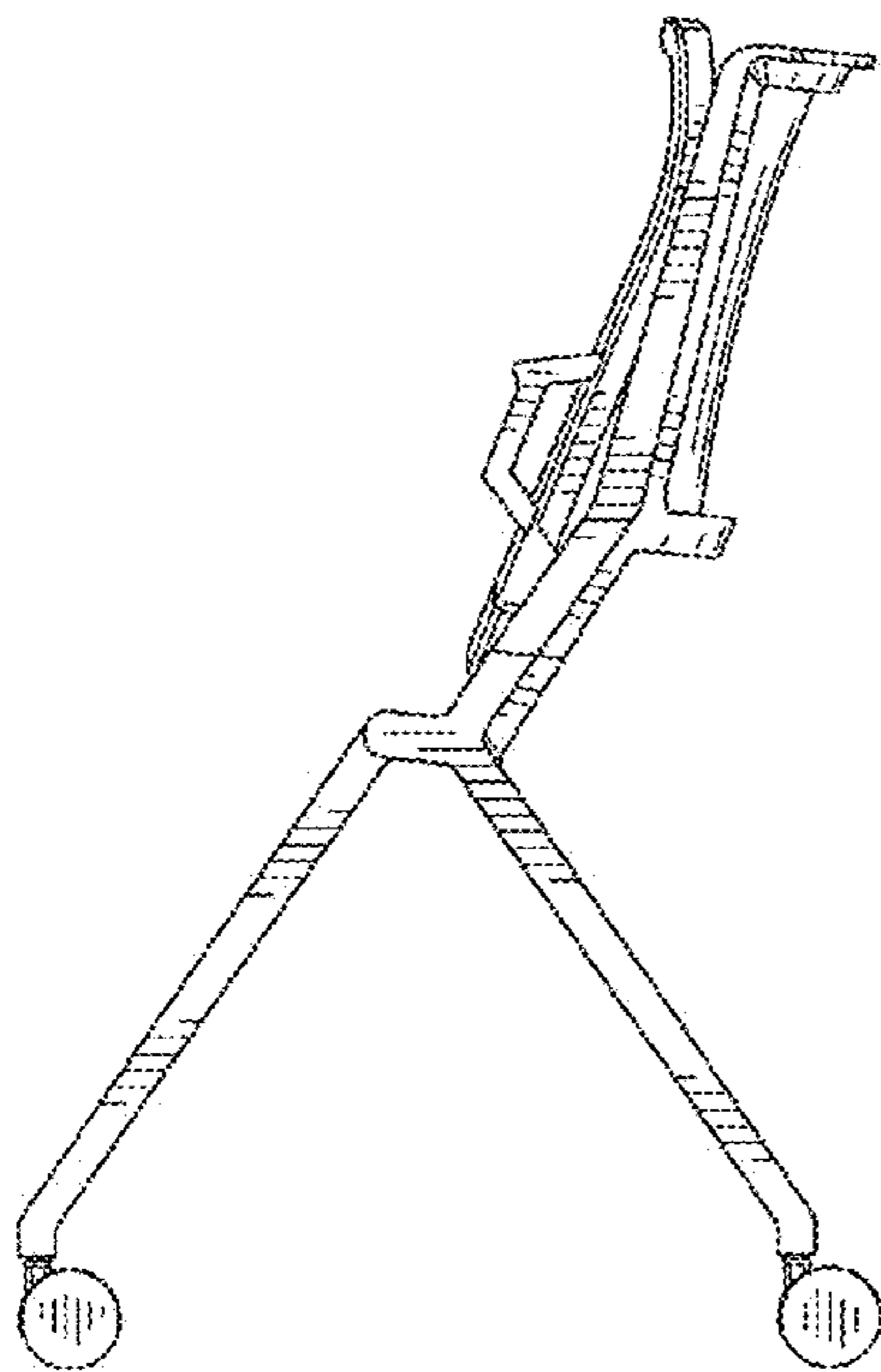


FIG. 19

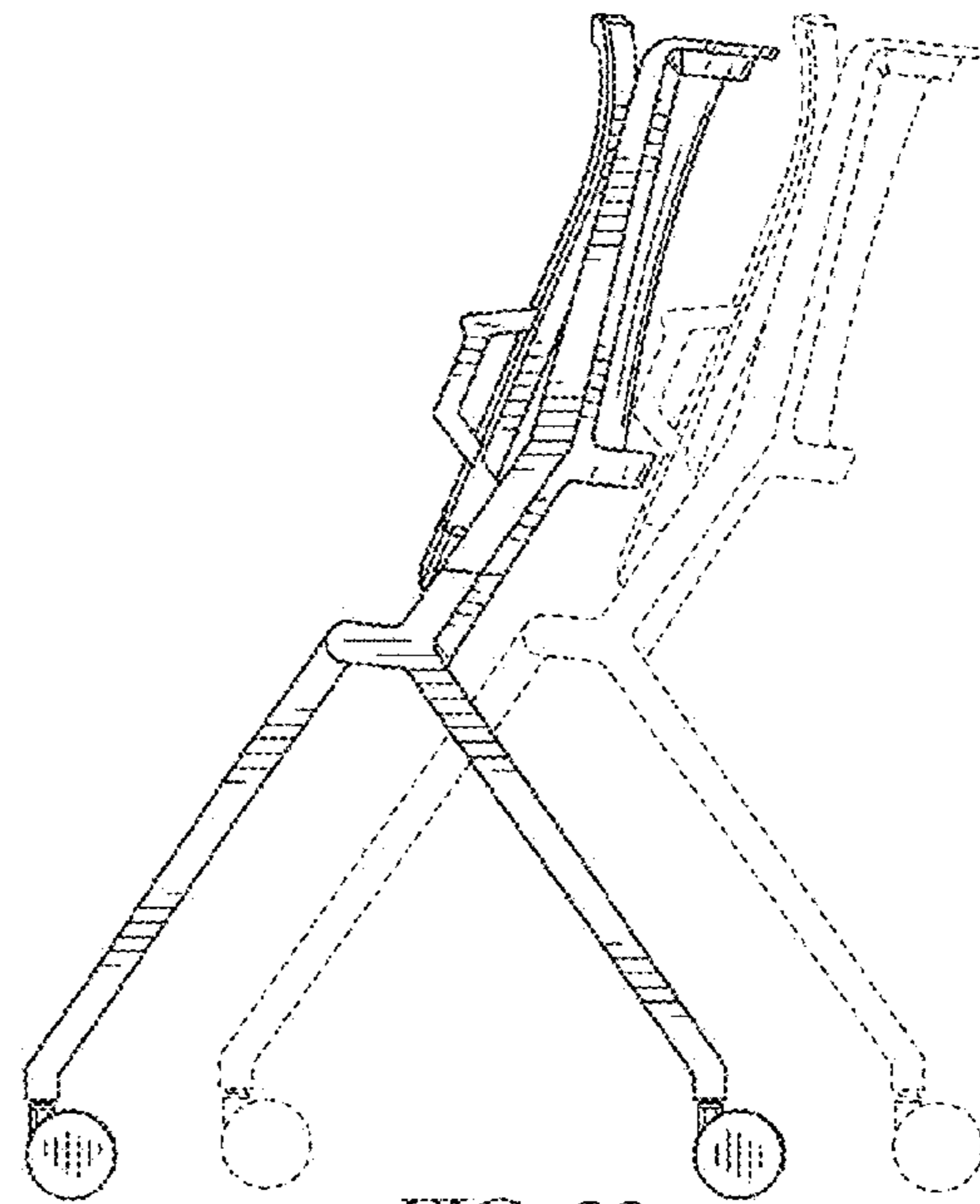


FIG. 20

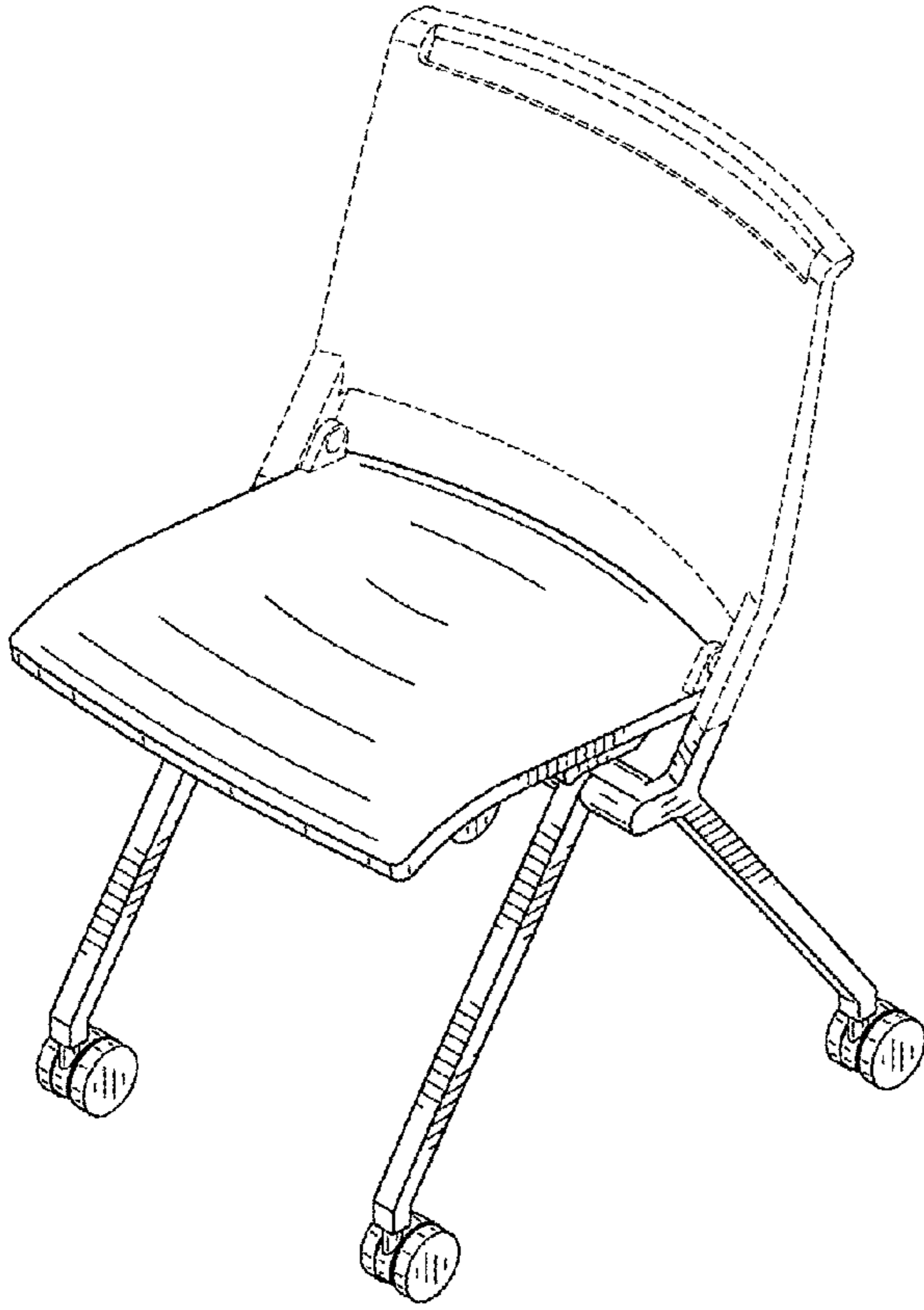


FIG. 21

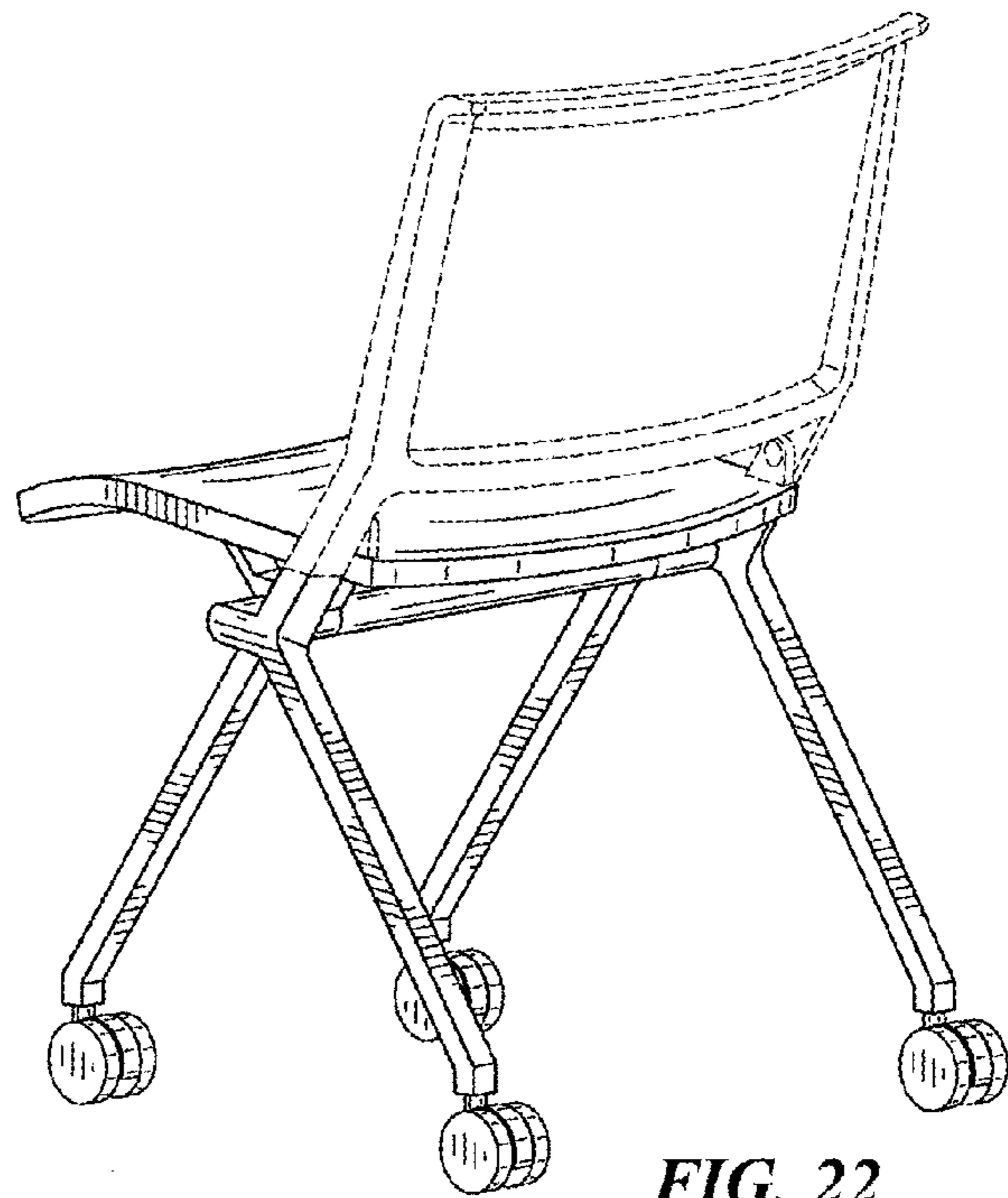


FIG. 22

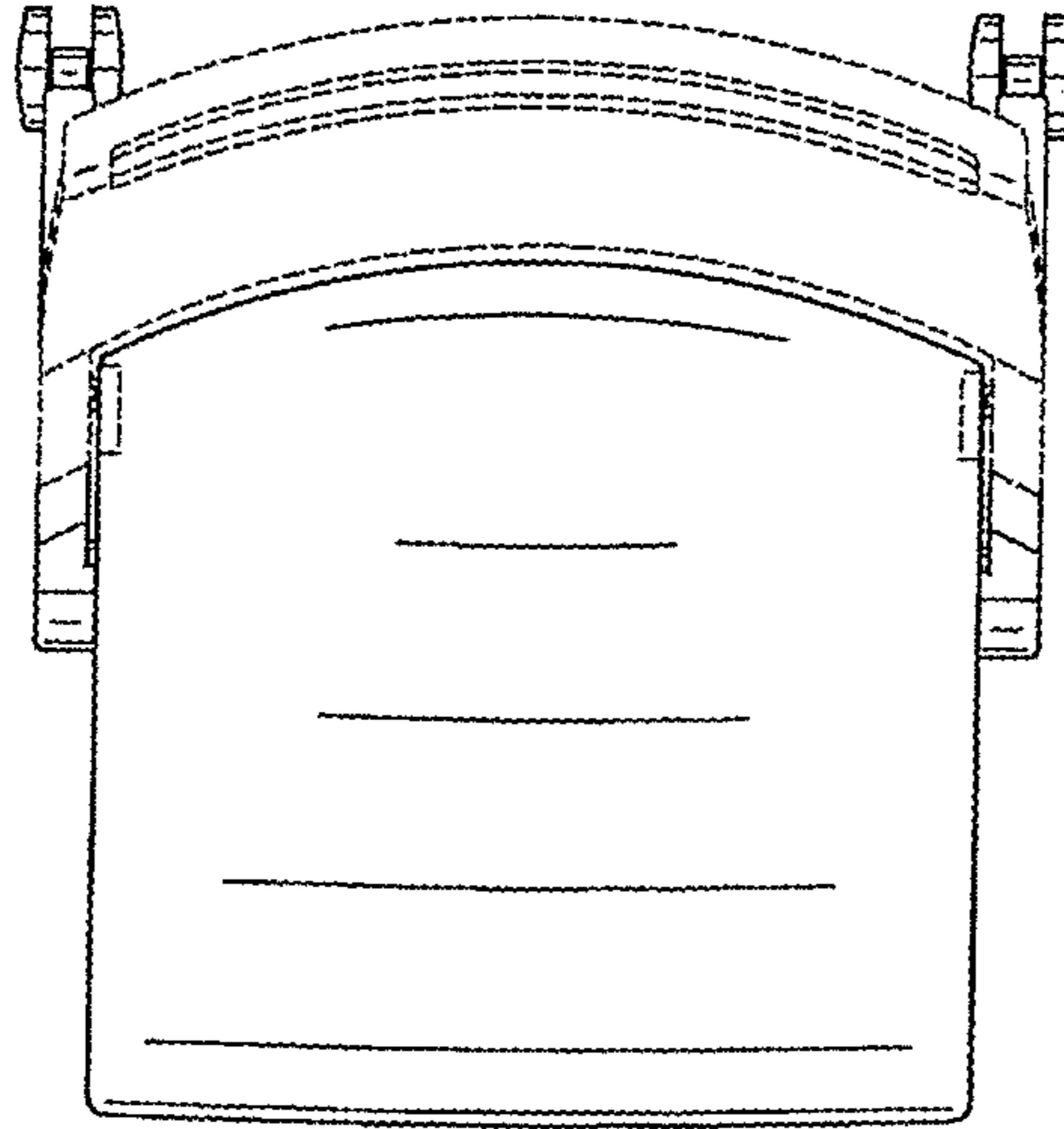


FIG. 23

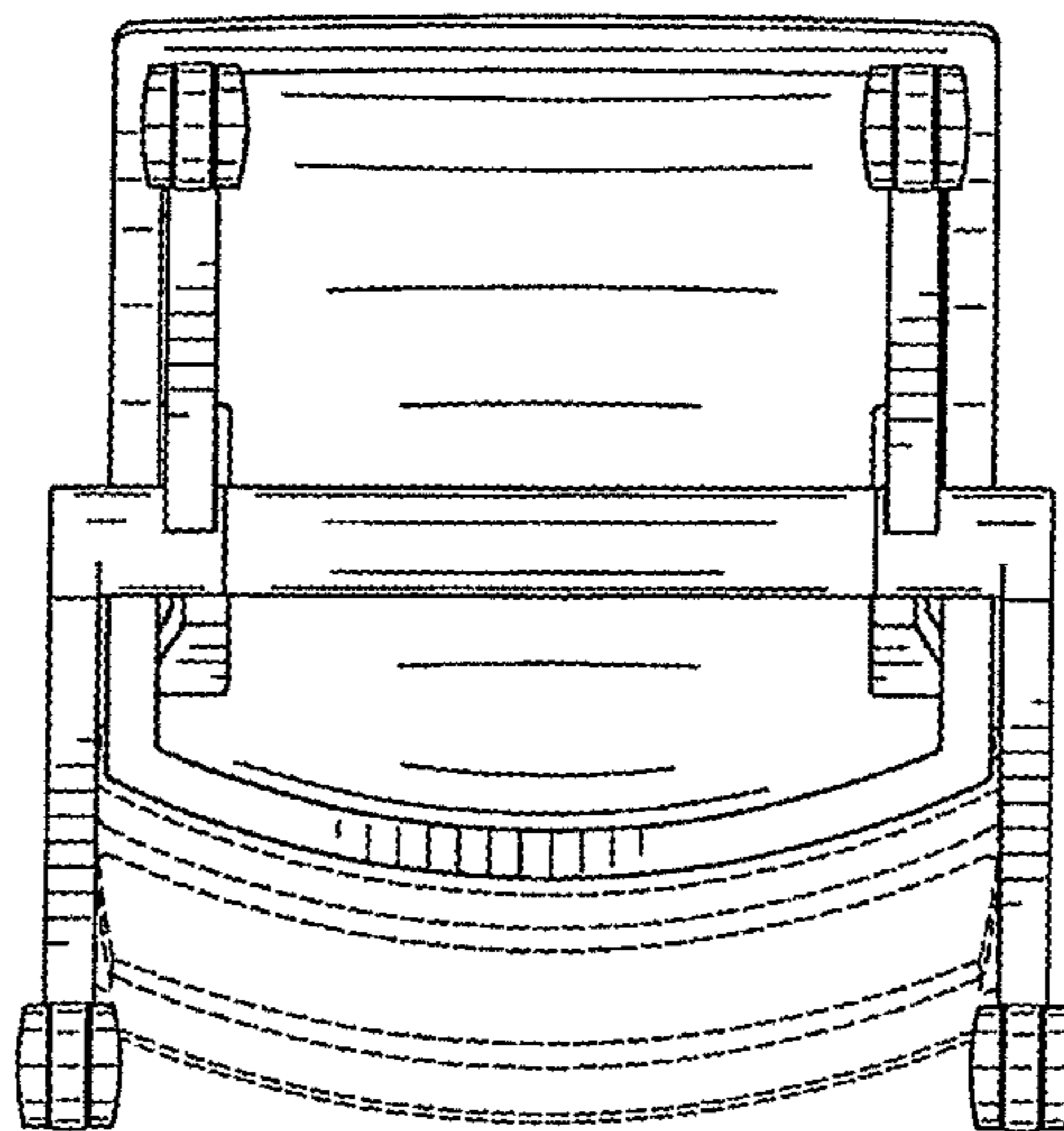


FIG. 24

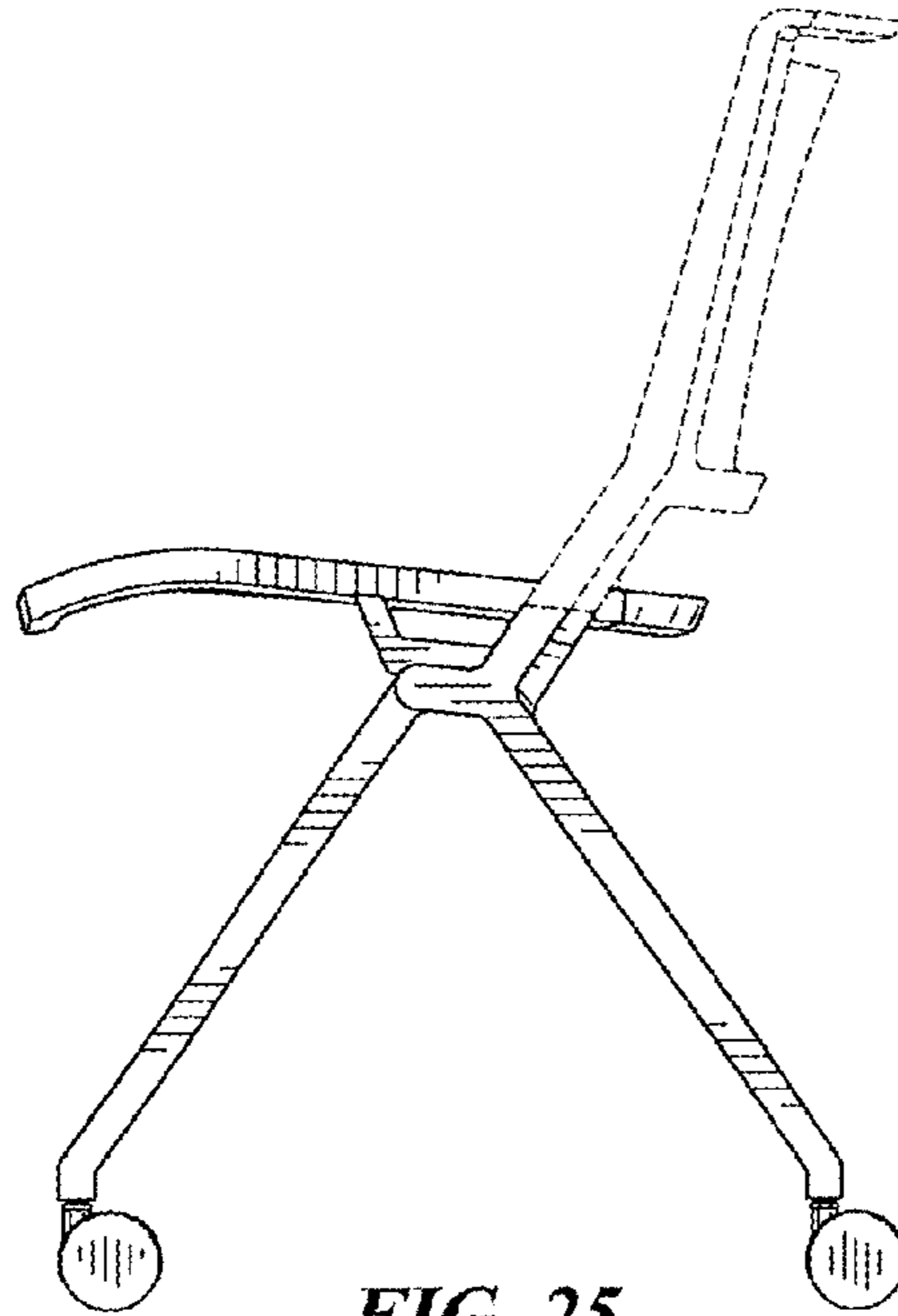


FIG. 25

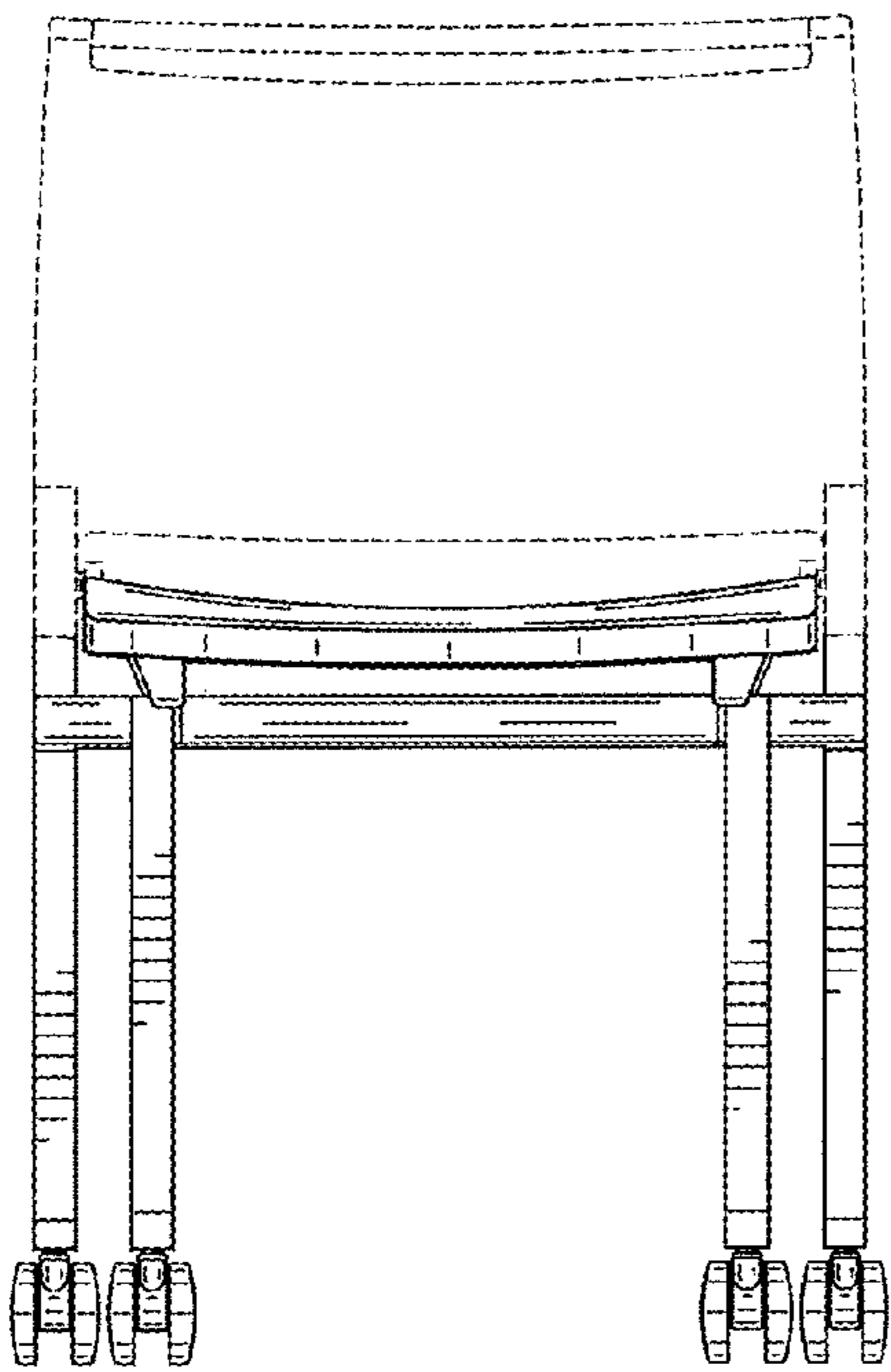


FIG. 26

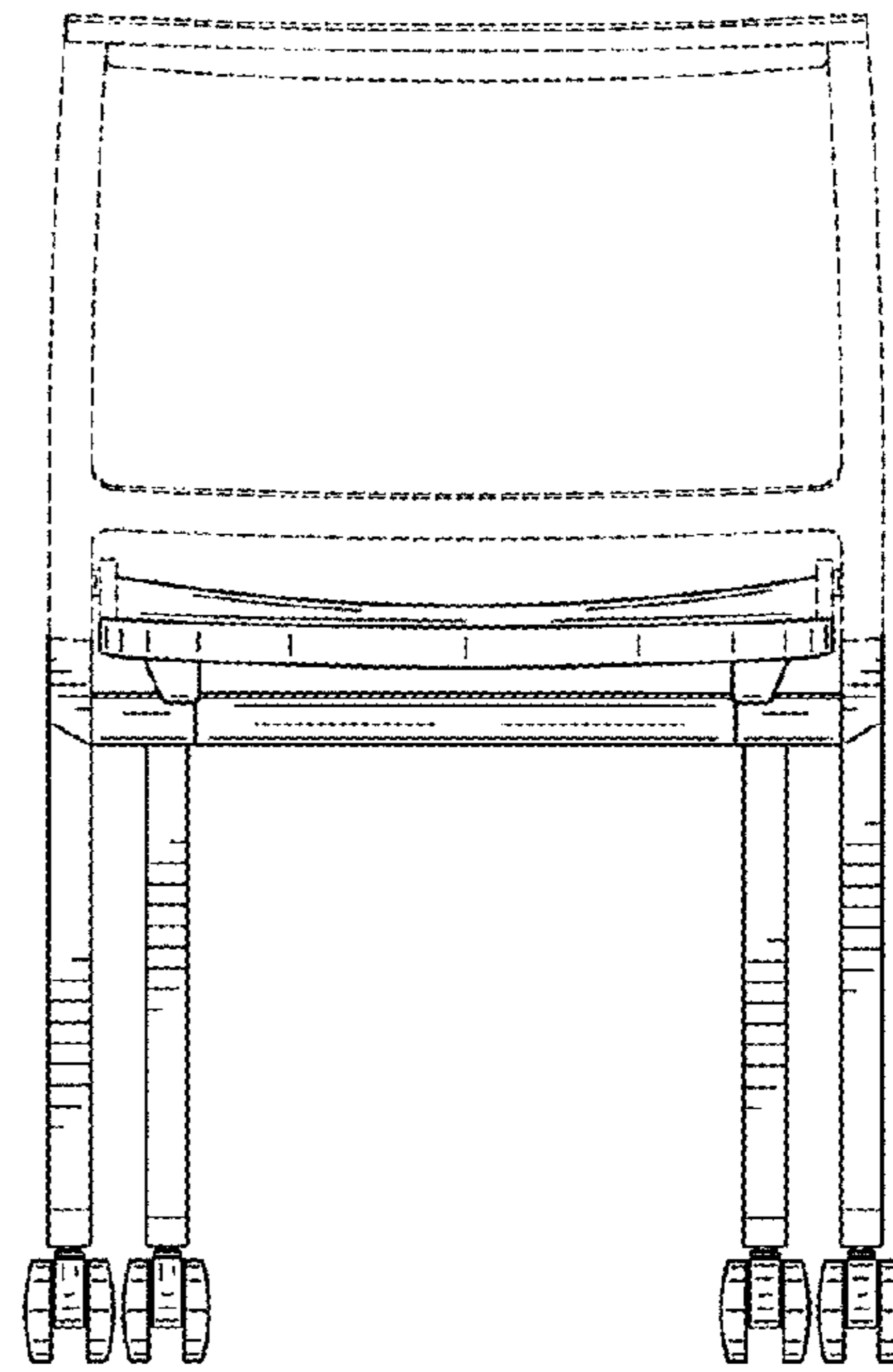


FIG. 27

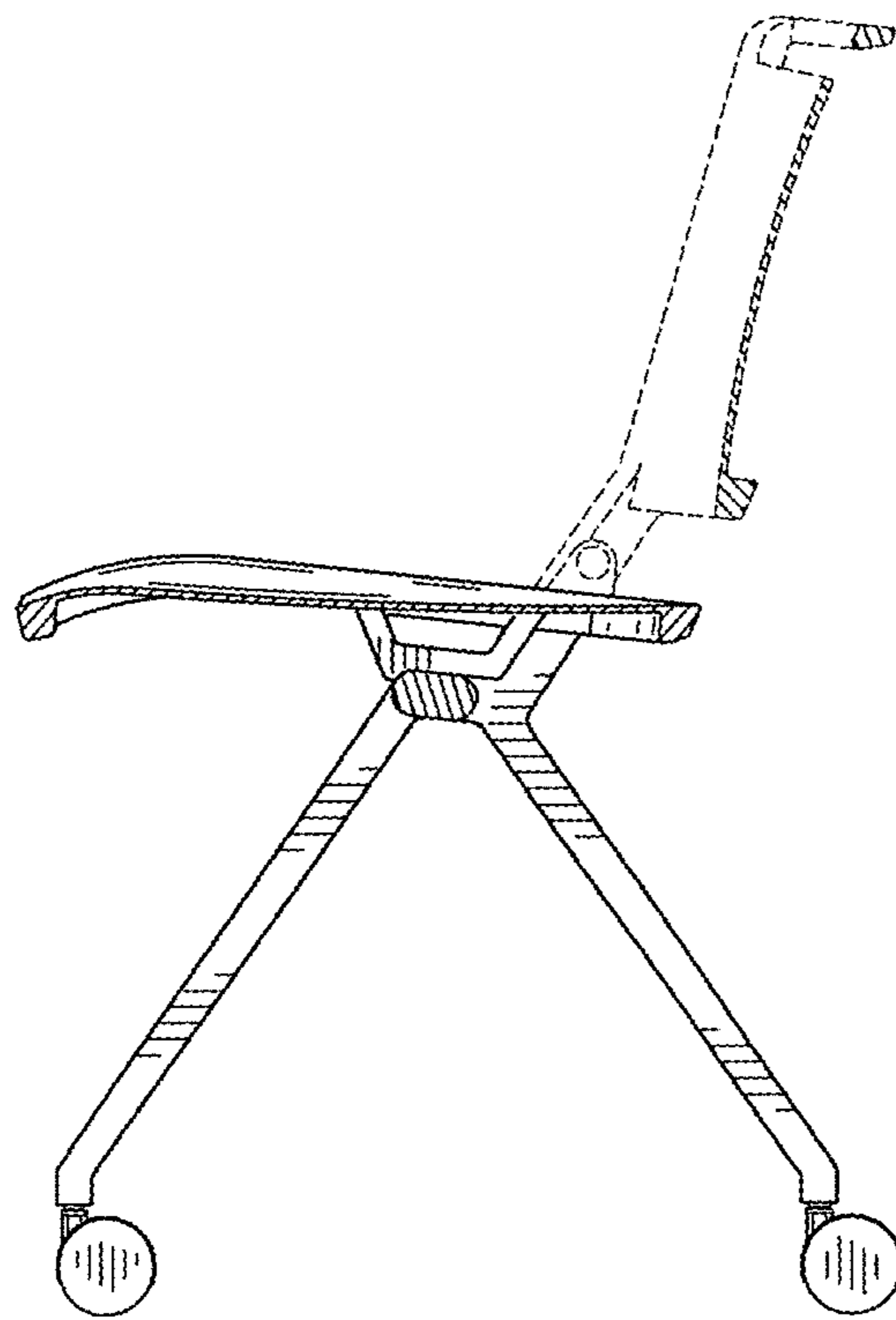


FIG. 28

UNITED STATES PATENT AND TRADEMARK OFFICE
CERTIFICATE OF CORRECTION

PATENT NO. : D756,140 S
APPLICATION NO. : 29/493717
DATED : May 17, 2016
INVENTOR(S) : Taku Kumazawa

Page 1 of 1

It is certified that error appears in the above-identified patent and that said Letters Patent is hereby corrected as shown below:

Page 2, delete "1 Claim, 12 Drawing sheets" and insert --1 Claim, 8 Drawing sheets--.

Please remove drawing sheets 9-12 containing Figures 21-28.

Signed and Sealed this
Twenty-second Day of August, 2017



Joseph Matal
*Performing the Functions and Duties of the
Under Secretary of Commerce for Intellectual Property and
Director of the United States Patent and Trademark Office*