



US00D756139S

(12) **United States Design Patent**  
**Chadwick et al.**

(10) **Patent No.:** **US D756,139 S**  
(45) **Date of Patent:** **\*\* May 17, 2016**

(54) **STOOL**

(71) Applicant: **Humanscale Corporation**, New York, NY (US)

(72) Inventors: **Donald Chadwick**, Los Angeles, CA (US); **Jeffrey Koffman**, Santa Monica, CA (US); **Todd Bruner**, Brooklyn, NY (US); **Gregory Allison**, Allentown, PA (US)

(73) Assignee: **Humanscale Corporation**, New York, NY (US)

(\*\*) Term: **14 Years**

(21) Appl. No.: **29/498,028**

(22) Filed: **Jul. 30, 2014**

**Related U.S. Application Data**

(63) Continuation-in-part of application No. 14/297,555, filed on Jun. 5, 2014.

(51) **LOC (10) Cl.** ..... **06-01**

(52) **U.S. Cl.**  
USPC ..... **D6/352**

(58) **Field of Classification Search**  
USPC ..... D6/333, 335, 340, 344, 347, 349–355, D6/358, 360, 363–365, 381, 406.6, 596, D6/601, 648, 662.1, 675, 677, 685–687, D6/688.15, 688.27, 690, 691, 691.8, D6/692.1–692.3, 695.1, 708.16, 708.2, D6/709, 709.2, 709.22, 711, 716–716.7, D6/717

CPC ..... A47C 1/14; A47C 3/00; A47C 3/04; A47C 3/14; A47C 3/16; A47C 3/18; A47C 3/20; A47C 3/36; A47C 4/00; A47C 4/28; A47C 4/30; A47C 4/38; A47C 4/42; A47C 4/48; A47C 5/02; A47C 5/04; A47C 5/043; A47C 7/00–7/006; A47C 7/02; A47C 9/00; A47C 9/02; A47C 9/002; A47C 9/007; A47C 9/025; A47C 9/10; A47C 11/00;

A47C 12/00; A47C 13/00; A47C 16/02; A47B 7/00–7/02; A47B 45/00; A47B 47/04–47/045; A47B 3/00; A47B 3/02; A47B 3/04; A47B 3/12

See application file for complete search history.

(56) **References Cited**

**U.S. PATENT DOCUMENTS**

3,312,437 A \* 4/1967 Barth ..... A47C 9/025  
248/158  
3,770,319 A \* 11/1973 Ono ..... A47C 3/02  
297/423.39

(Continued)

**FOREIGN PATENT DOCUMENTS**

DE 73618 6/1970  
DE 7531129 3/1976

(Continued)

**OTHER PUBLICATIONS**

Non-Final Rejection mailed Dec. 11, 2009 in U.S. Appl. No. 12/131,335, filed Jun. 2, 2008, "Active Dynamic Seating Device".

*Primary Examiner* — Susan Bennett Hattan

*Assistant Examiner* — Vy Koenig

(74) *Attorney, Agent, or Firm* — Kelley Drye & Warren LLP

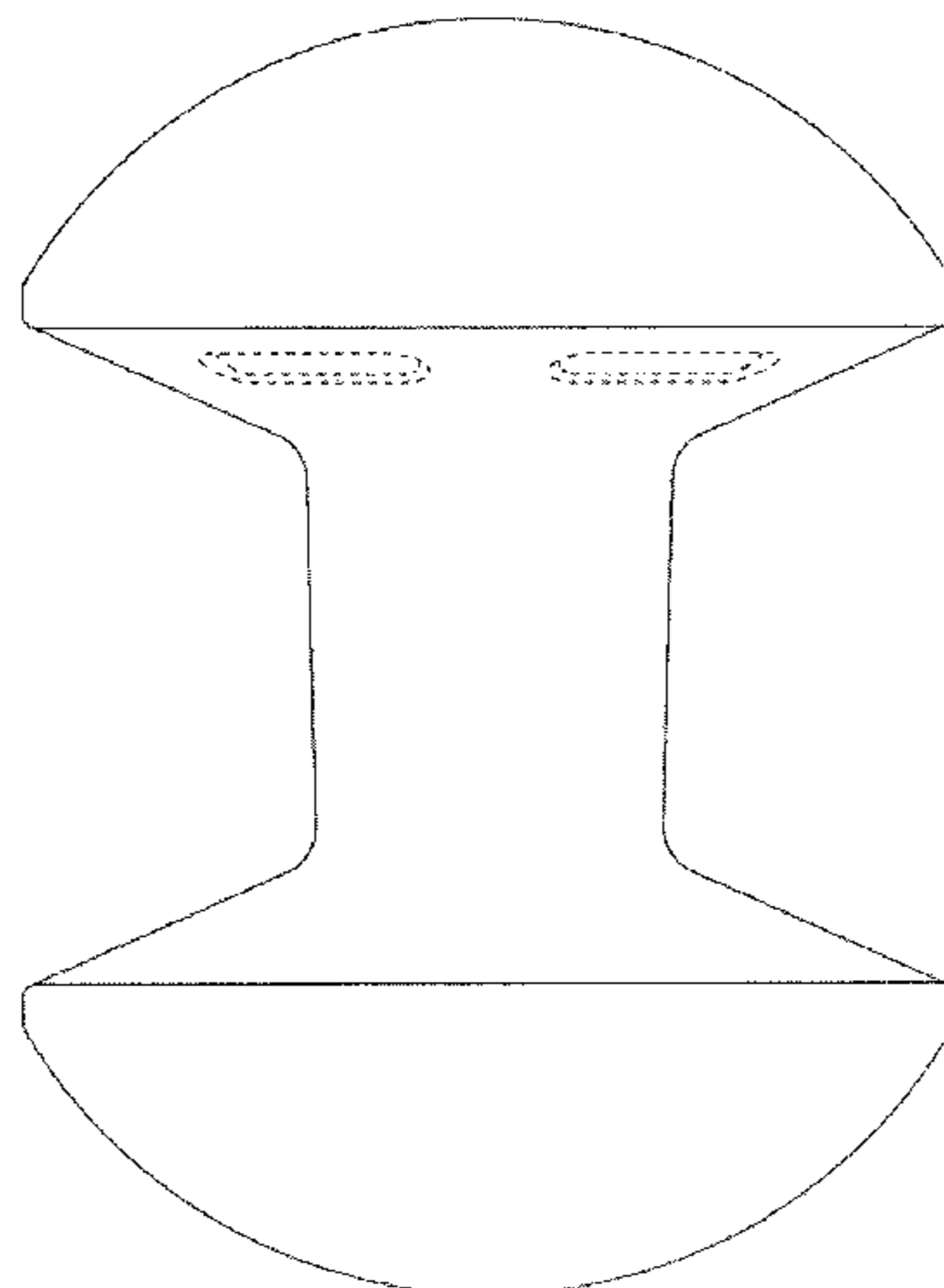
(57) **CLAIM**

We claim the ornamental design for a stool, as shown and described.

**DESCRIPTION**

FIG. 1 is a front, rear, left, and right side view of a stool embodying the present invention; FIG. 2 is a top view of the stool of FIG. 1; and, FIG. 3 is a bottom view of the stool of FIG. 1. The broken lines shown in the drawings depict portions of the stool that form no part of the claimed design.

**1 Claim, 2 Drawing Sheets**





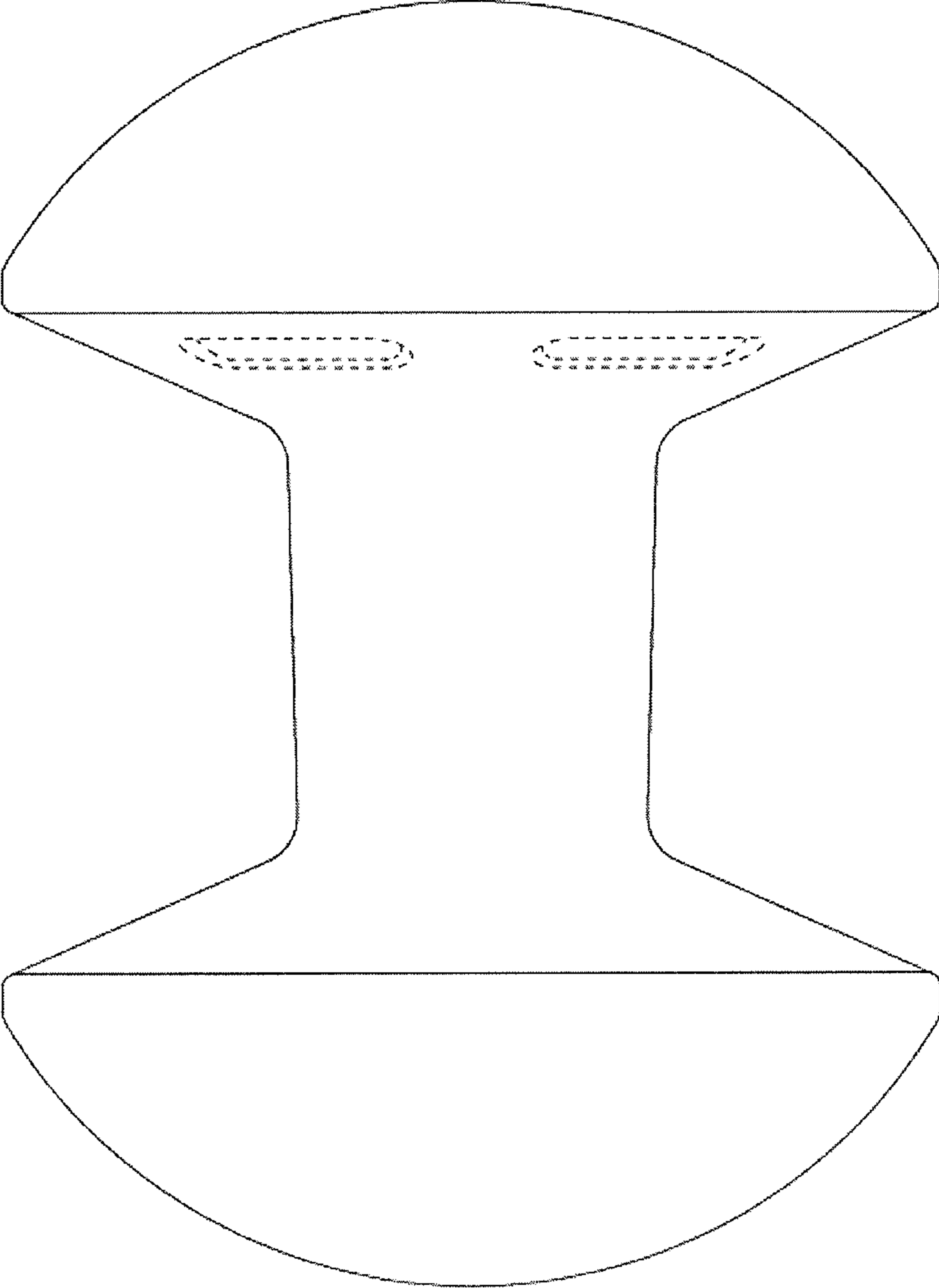


FIG. 1

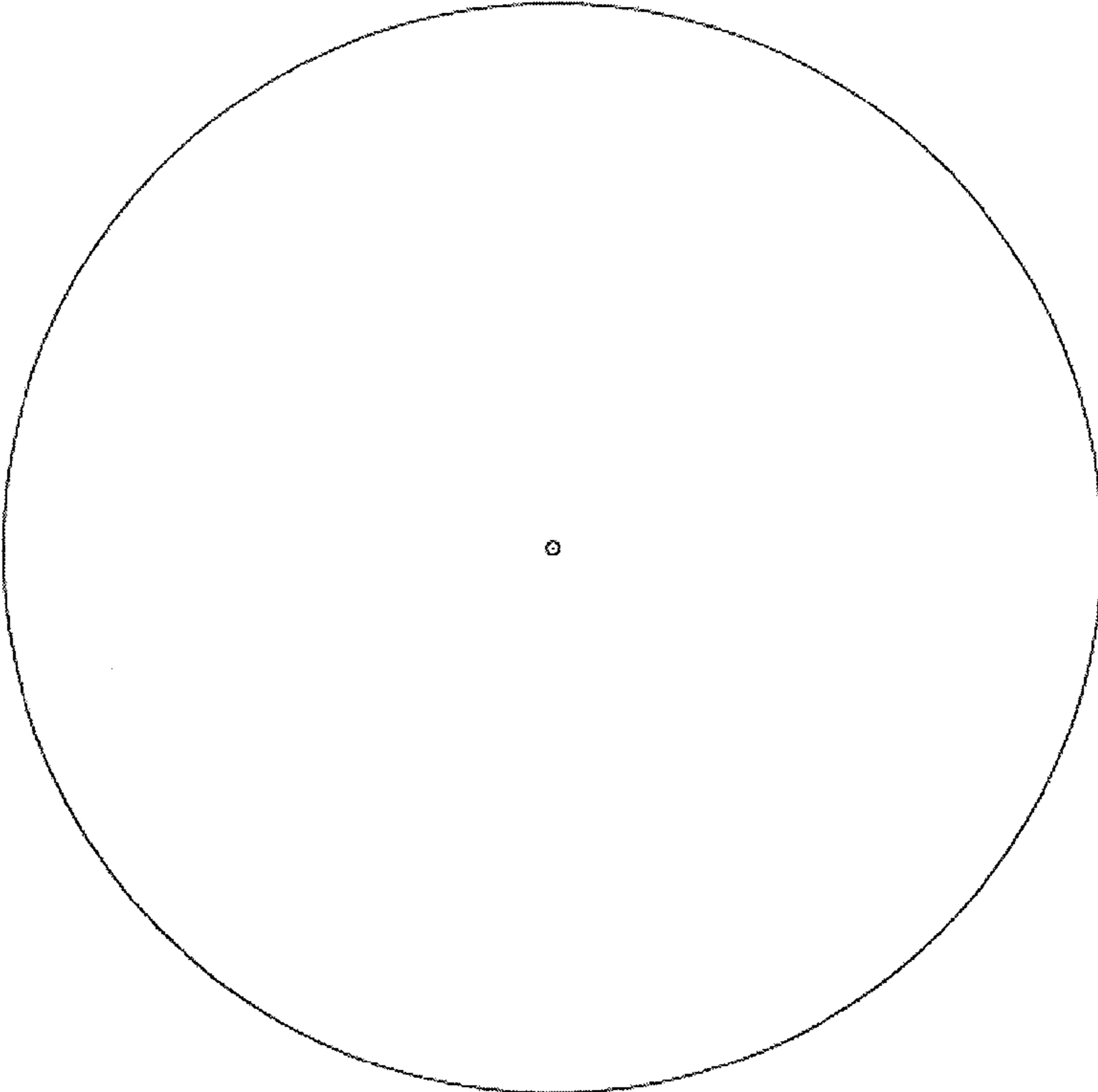


FIG. 2

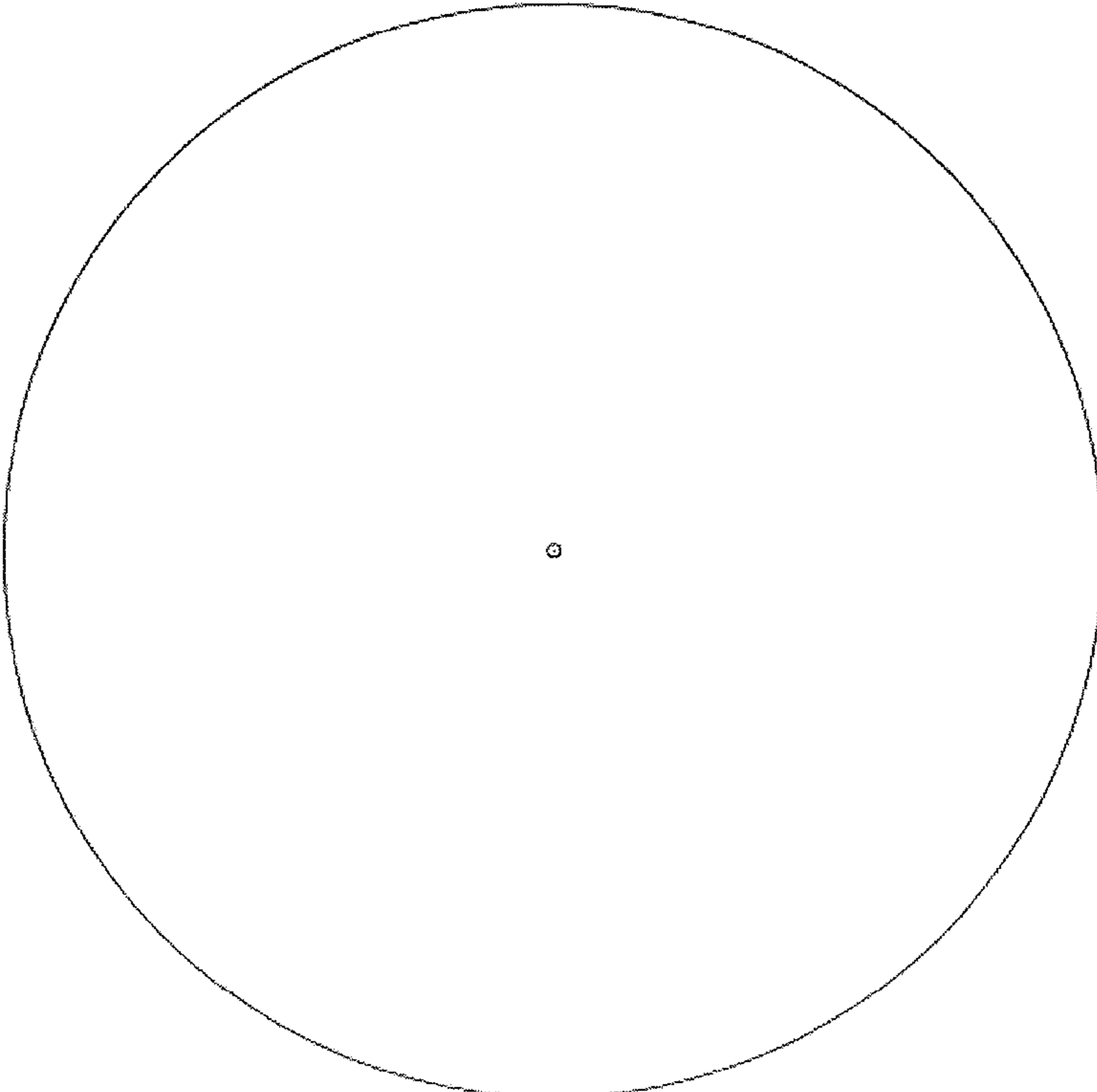


FIG. 3