



US00D756135S

(12) **United States Design Patent**
Pan et al.

(10) **Patent No.:** **US D756,135 S**
(45) **Date of Patent:** **** May 17, 2016**

(54) **DISPLAY BASE**

(71) Applicant: **3M INNOVATIVE PROPERTIES COMPANY**, St. Paul, MN (US)

(72) Inventors: **Angela L. Pan**, Woodbury, MN (US);
Judd D. Olson, Deephaven, MN (US);
Thomas W. Floyd, St. Paul, MN (US);
Nathan E. Marks, Rosemount, MN (US);
Stephan A. Hawthorne, St. Paul, MN (US)

(73) Assignee: **3M INNOVATIVE PROPERTIES COMPANY**, St. Paul, MN (US)

(**) Term: **14 Years**

(21) Appl. No.: **29/519,475**

(22) Filed: **Mar. 5, 2015**

(51) **LOC (10) Cl.** **06-07**

(52) **U.S. Cl.**
USPC **D6/300**

(58) **Field of Classification Search**
USPC D6/300-314, 553; D9/432, 433, 424,
D9/430, 414, 415, 418, 737, 740, 743-745,
D9/759, 760; D7/354, 553.3, 553.2;
248/467; D10/21, 24, 25; D11/131,
D11/132, 140; 428/900; 40/711, 730, 754,
40/746, 757, 461, 781, 597, 600;
D14/315-318, 341-344, 129, 130, 496,
D14/137

CPC A47G 1/06; A47G 1/142; A47G 1/0616;
A47G 1/0638; A47G 1/065; A47G 1/1686;
A47G 1/17; A47G 2001/0666; A47G
2001/0672; B65D 2543/00194; B65D
2543/00092; B65D 2543/00101; B65D
2543/00157; A21B 3/13; G09F 19/22; G09F
15/0018; G09F 13/0404; G06F 2200/1633
See application file for complete search history.

(56) **References Cited**

U.S. PATENT DOCUMENTS

1,610,423 A 12/1926 Cawley
3,885,336 A 5/1975 Olsen

3,952,435 A 4/1976 Olsen
3,979,846 A 9/1976 Euzarraga
4,040,593 A 8/1977 Wiley
4,143,496 A 3/1979 Destito
4,167,385 A * 9/1979 DeRezendes B28B 7/46
425/410

(Continued)

FOREIGN PATENT DOCUMENTS

WO WO 96/16580 6/1996

OTHER PUBLICATIONS

Woodford Design Wallmount, available Apr. 17, 2013, [online], [site visited Aug. 21, 2015]. Available from internet, <URL: http://www.woodforddesign.com/products/wallmount.*

(Continued)

Primary Examiner — Cathron Brooks
Assistant Examiner — Teddy Falloway
(74) *Attorney, Agent, or Firm* — Irina Hass

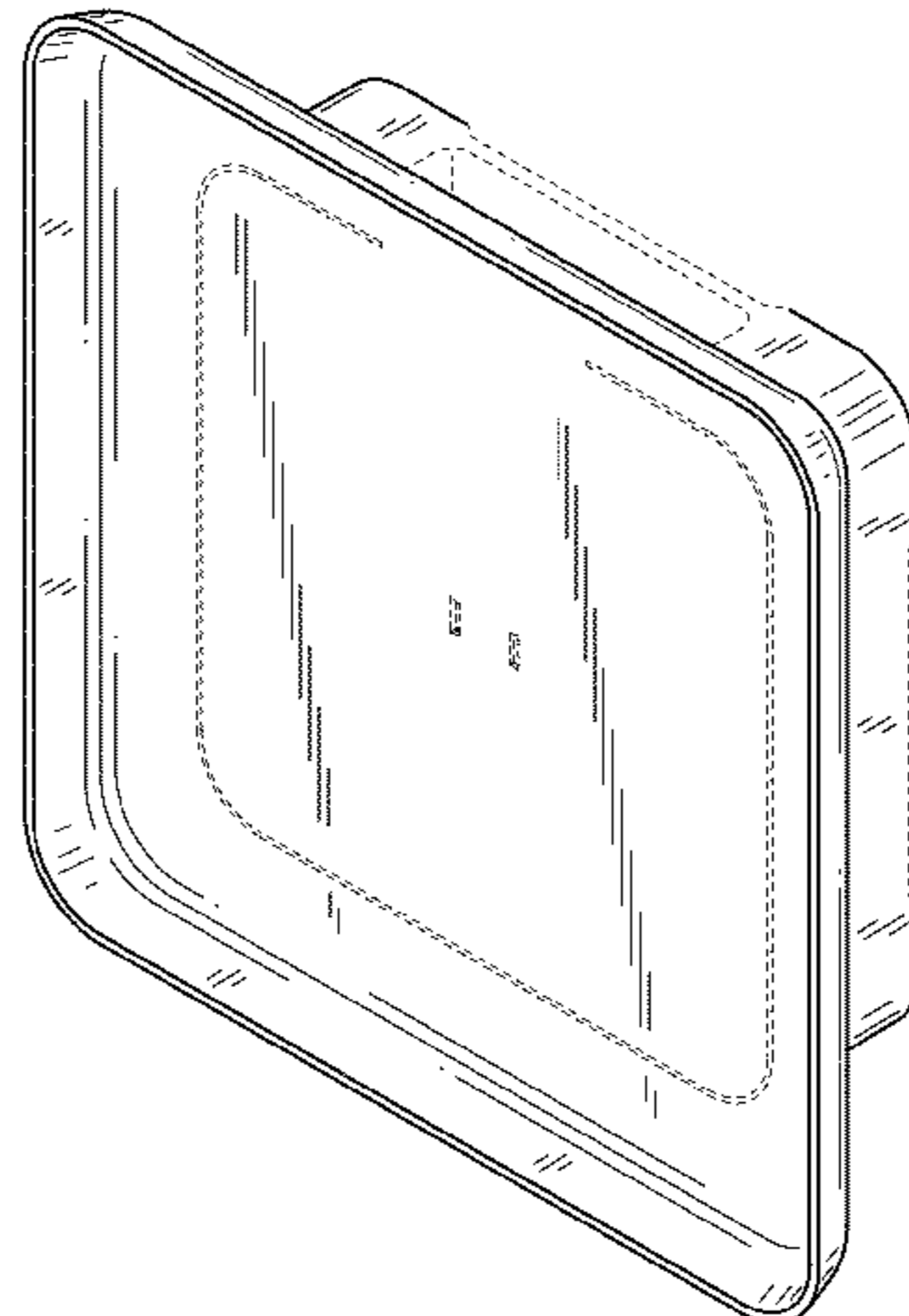
(57) **CLAIM**

The ornamental design for a display base, as shown and described.

DESCRIPTION

FIG. 1 is a perspective view showing the new design for a display base;
FIG. 2 is a front view thereof;
FIG. 3 is a rear view thereof;
FIG. 4 is a right side view thereof, a left side view being a mirror image thereof; and,
FIG. 5 is a top view thereof, a bottom view being a mirror image thereof.
The portions of the display base in FIGS. 1-5 shown in broken lines are included to show features that form no part of the claimed design.

1 Claim, 2 Drawing Sheets



(56)

References Cited

U.S. PATENT DOCUMENTS

4,437,639 A 3/1984 Stein
 4,561,200 A 12/1985 Hehn
 D282,825 S 3/1986 Kostios
 D283,488 S * 4/1986 Stevens D9/415
 D292,044 S * 9/1987 Billiet D6/300
 4,716,503 A * 12/1987 Chappell G09F 13/04
 315/DIG. 5
 D295,922 S * 5/1988 Huffman D6/308
 4,875,259 A 10/1989 Appeldorn
 4,892,284 A 1/1990 Kelrick
 4,900,604 A 2/1990 Martinez et al.
 4,979,323 A 12/1990 Wenkman et al.
 5,069,411 A 12/1991 Murphy
 5,075,991 A 12/1991 Wenkman et al.
 5,077,870 A 1/1992 Melbye
 5,133,526 A 7/1992 Olmsted
 5,201,110 A 4/1993 Rouser
 5,256,231 A 10/1993 Gorman
 D340,810 S 11/1993 Wenkman
 5,342,014 A 8/1994 Wilson
 D350,854 S * 9/1994 Collins D6/300
 5,360,270 A 11/1994 Appeldorn
 D363,647 S * 10/1995 Rivlin D21/484
 D367,403 S * 2/1996 Rivlin D21/503
 5,523,129 A 6/1996 McGeehan-Hatch
 D375,681 S * 11/1996 Liebermann D9/414
 D377,451 S 1/1997 Gumowitz et al.
 5,616,394 A 4/1997 Gorman et al.
 D380,962 S 7/1997 Trigger
 5,743,507 A 4/1998 Rushing
 5,845,375 A 12/1998 Miller et al.
 5,878,987 A 3/1999 Hayde
 5,931,439 A 8/1999 Lemire
 D414,080 S * 9/1999 Bolwien D7/545
 5,947,438 A 9/1999 Lemire
 6,032,915 A 3/2000 Brindisi
 6,086,973 A 7/2000 Hazes
 6,241,210 B1 6/2001 Brindisi
 D445,262 S * 7/2001 Rowan D6/300
 6,408,795 B1 6/2002 Goodger
 D463,741 S 10/2002 Green
 6,527,244 B1 3/2003 Kamenstein et al.
 D475,620 S 6/2003 Chen et al.
 6,666,425 B1 12/2003 Ferguson
 6,692,807 B2 2/2004 Bries
 D489,599 S 5/2004 Lam
 6,820,853 B1 11/2004 DuBarry
 6,832,445 B2 12/2004 Pitzen
 6,972,141 B1 12/2005 Bries et al.
 D519,375 S 4/2006 Brooks
 7,303,805 B2 12/2007 Seth
 D559,556 S * 1/2008 Puig D6/300
 D571,146 S 6/2008 Sanfilippo et al.
 D584,141 S * 1/2009 Smith D9/414
 D590,655 S * 4/2009 Freeman D7/354
 7,516,524 B2 4/2009 Provost et al.
 D591,555 S * 5/2009 Sanfilippo D7/391
 D600,111 S * 9/2009 Gerulski D9/424
 D600,499 S * 9/2009 Bizzell D7/540

D600,501 S * 9/2009 Bizzell D7/541
 D618,998 S * 7/2010 Pendergrass D9/424
 7,762,517 B1 7/2010 Leseman
 D623,454 S * 9/2010 Berkowitz D6/524
 D632,955 S * 2/2011 Smith, III D9/415
 7,913,967 B1 3/2011 Aleo
 D653,496 S * 2/2012 Henry D7/354
 D661,601 S * 6/2012 Sanfilippo D9/737
 8,397,411 B2 3/2013 Russo
 D679,179 S * 4/2013 Ritter D9/424
 D685,654 S * 7/2013 Akana D9/432
 D688,941 S * 9/2013 Sifuentes D7/602
 D690,198 S * 9/2013 Haracourt D7/602
 D691,880 S * 10/2013 Larson D9/424
 D694,101 S * 11/2013 Radomyselski D9/415
 D701,457 S * 3/2014 Murphy D9/426
 2002/0142155 A1 10/2002 Steinberg
 2002/0175164 A1 * 11/2002 Dees B65D 11/188
 220/4.24
 2004/0221540 A1 11/2004 Simons
 2005/0136214 A1 6/2005 Most
 2005/0269232 A1 12/2005 Eisenbraun
 2006/0214080 A1 9/2006 De Keratry
 2007/0065618 A1 3/2007 Fischer
 2007/0075211 A1 4/2007 Potter
 2008/0149792 A1 * 6/2008 Nurenberg F24F 13/078
 248/222.41
 2009/0068632 A1 3/2009 Thompson
 2010/0096532 A1 4/2010 Grev
 2010/0108837 A1 5/2010 Felton
 2010/0116964 A1 5/2010 Aleo
 2010/0155289 A1 * 6/2010 Nazareth B65D 43/0241
 206/557
 2010/0325929 A1 * 12/2010 Favron G08B 7/062
 40/638
 2011/0042542 A1 2/2011 Russo et al.
 2011/0049325 A1 3/2011 Johnson et al.
 2011/0159234 A1 6/2011 Pai
 2011/0163215 A1 7/2011 Walters
 2012/0175492 A1 * 7/2012 Guiliani A47J 43/20
 249/140
 2012/0233898 A1 9/2012 Home
 2013/0008013 A1 1/2013 Chang
 2014/0065278 A1 * 3/2014 Feriola A21D 8/06
 426/523
 2014/0353455 A1 12/2014 Floyd

OTHER PUBLICATIONS

OtterBox Tablet Mount (Amazon), available Jan. 1, 2015, [online], [site visited Aug. 21, 2015]. Available from internet, <URL: http://www.amazon.com/OtterBox-Tablet-Mount-AGILITY-CHAR-COAL/dp/B00RGMDWP0/ref=sr_1_5?ie=UTF8&qid=1440164917&sr=8-5&keywords=otterbox+agility.*>
 Vanderheyden, U.S. Appl. No. 29/484,172, filed Mar. 6, 2014, entitled "Decorative Display".
 Vanderheyden, U.S. Appl. No. 29/484,184, filed Mar. 6, 2014, entitled "Decorative Display Base".
 Vanderheyden, U.S. Appl. No. 29/484,169, filed Mar. 6, 2014, entitled "Decorative Display".

* cited by examiner

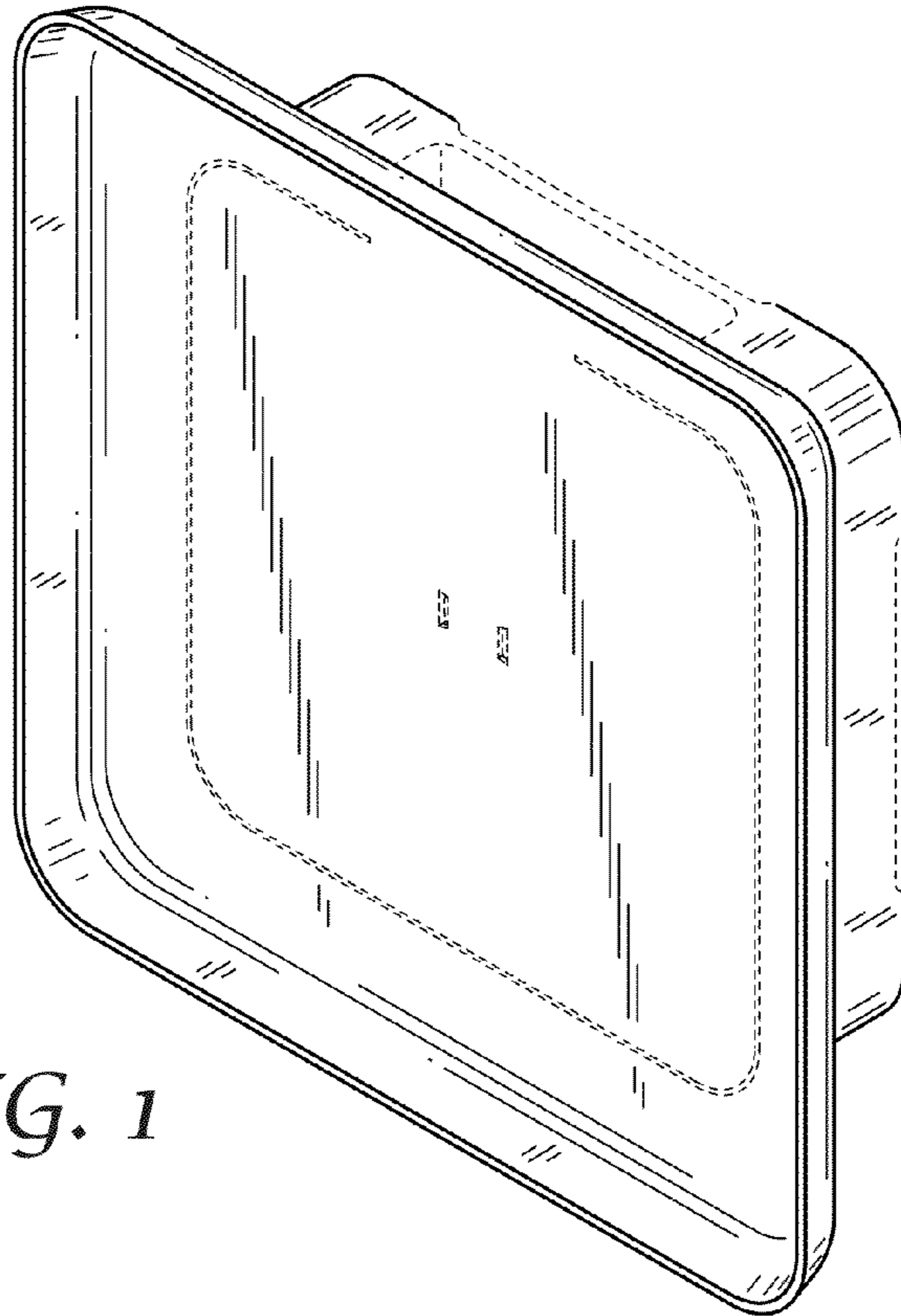


FIG. 1

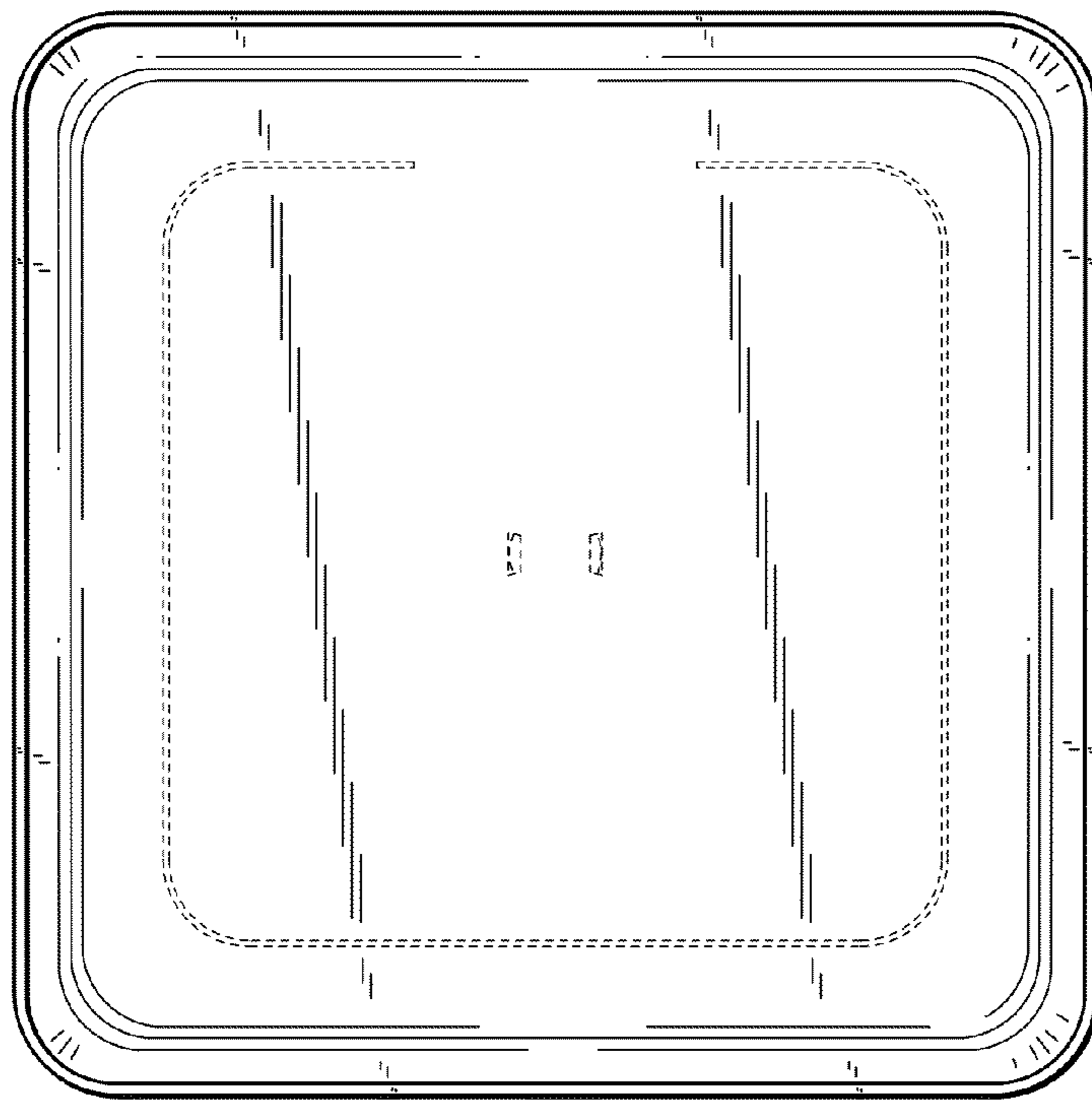


FIG. 2

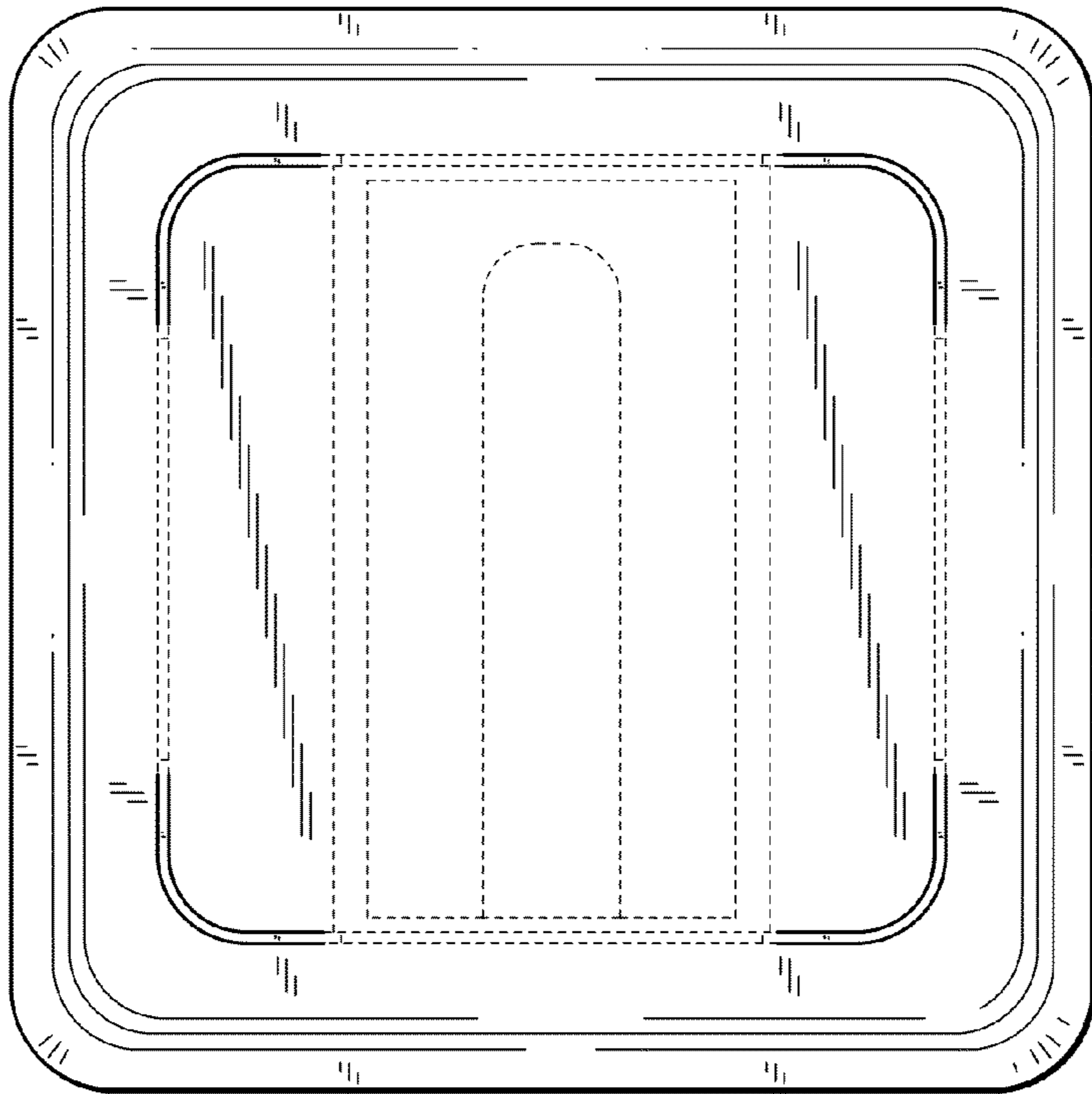


FIG. 3

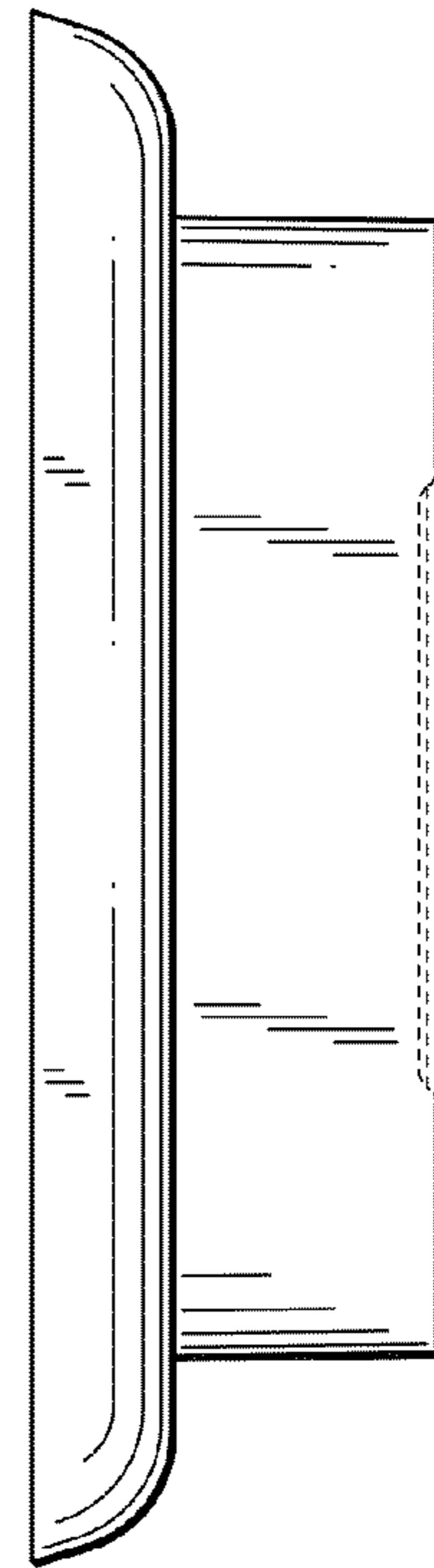


FIG. 4

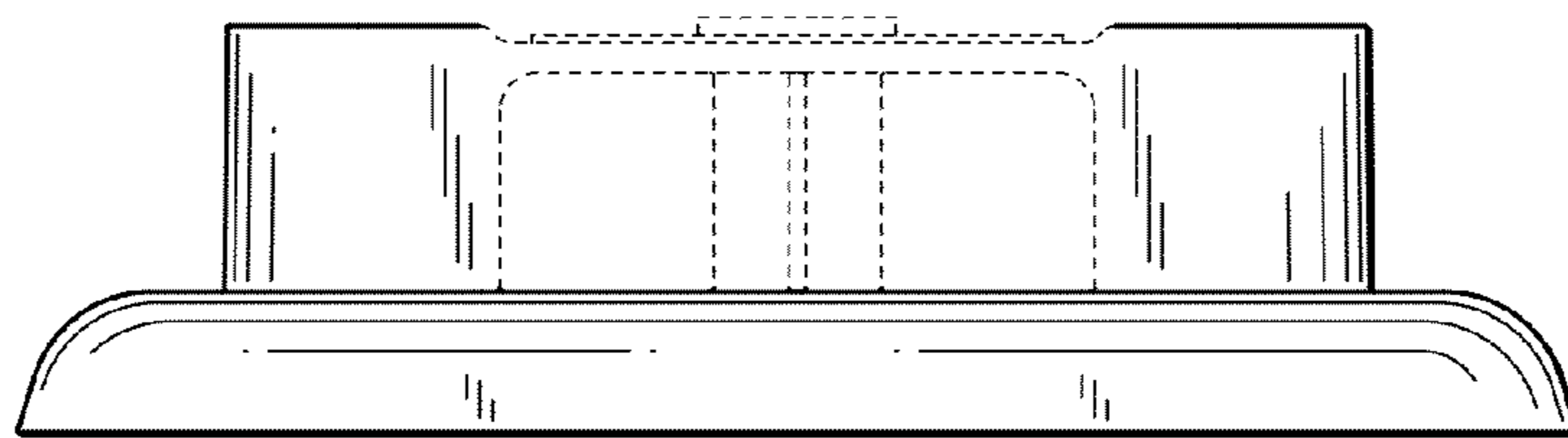


FIG. 5