



US00D756133S

(12) **United States Design Patent**
Michelson et al.

(10) **Patent No.:** **US D756,133 S**
(45) **Date of Patent:** **** May 17, 2016**

- (54) **T-HANDLE FOR A LINT BRUSH**
- (71) Applicant: **Butler Home Products, LLC**,
Marlborough, MA (US)
- (72) Inventors: **Robert Michelson**, Wayland, MA (US);
Michael Silverman, Westborough, MA
(US); **Joshua Charles Landis**,
Cumming, GA (US)
- (73) Assignee: **Butler Home Products**, Hudson, MA
(US)

D463,134 S * 9/2002 Vosbikian D4/122
 6,925,674 B2 * 8/2005 Prince et al. B05C 17/02
 15/230.11
 7,281,288 B1 * 10/2007 McKay A47L 25/005
 15/104.002
 D606,760 S * 12/2009 Dotterman et al. D4/125
 7,856,690 B2 * 12/2010 Tuman et al. A46B 5/0095
 15/104.002
 D637,403 S * 5/2011 Schmidt D4/122
 D656,319 S * 3/2012 Kye et al. D4/122
 D671,747 S * 12/2012 Guyton et al. D4/122
 D697,313 S * 1/2014 Yao et al. D4/122
 2013/0205522 A1 * 8/2013 Butts A47L 25/005
 15/104.002

- (**) Term: **14 Years**
- (21) Appl. No.: **29/520,044**
- (22) Filed: **Mar. 10, 2015**
- (51) **LOC (10) Cl.** **04-01**
- (52) **U.S. Cl.**
USPC **D4/138; D4/122**
- (58) **Field of Classification Search**
USPC D4/122, 131-138; D7/393, 392, 401.2;
D8/10, 11, 45, 80, 83, 98, 107, 303;
15/104.001, 104.002, 143.1, 159.1,
15/160, 230, 230.11; 16/430; 492/13, 16,
492/17, 19
CPC A46B 5/02; A46B 5/021; A46B 5/023;
A46B 5/025; A46B 5/026; A46B 7/06;
A46B 7/10; A47J 45/00; A47J 45/06; A47J
45/061; A47J 45/07; A47J 45/071; B25G
1/00; B25G 1/005; B25G 1/10; B25G 1/102;
B25G 1/105; B26B 1/10; Y10S 16/12; Y10S
16/19; Y10T 16/446; Y10T 16/469; Y10T
16/476; A47L 25/00; A47L 25/005; A47L
25/08; B08B 1/00; B08B 1/04; B08B 7/0028;
B05C 17/02; B05C 17/0205; B05C 17/0217;
B05C 17/0222; B05C 17/0225
See application file for complete search history.

FOREIGN PATENT DOCUMENTS

TW M364495 U * 9/2009

* cited by examiner

Primary Examiner — Melanie H Tung

Assistant Examiner — Lavone D Tabor

(74) *Attorney, Agent, or Firm* — McCarter & English LLP

(57) **CLAIM**

The ornamental design for a T-handle for a lint brush, as shown and described.

DESCRIPTION

FIG. 1 is a perspective view of a T-handle for a lint brush;

FIG. 2 is a right side elevational view thereof;

FIG. 3 is a left side elevational view thereof;

FIG. 4 is a front elevational view thereof;

FIG. 5 is a rear elevational view thereof;

FIG. 6 is a top plan view thereof; and,

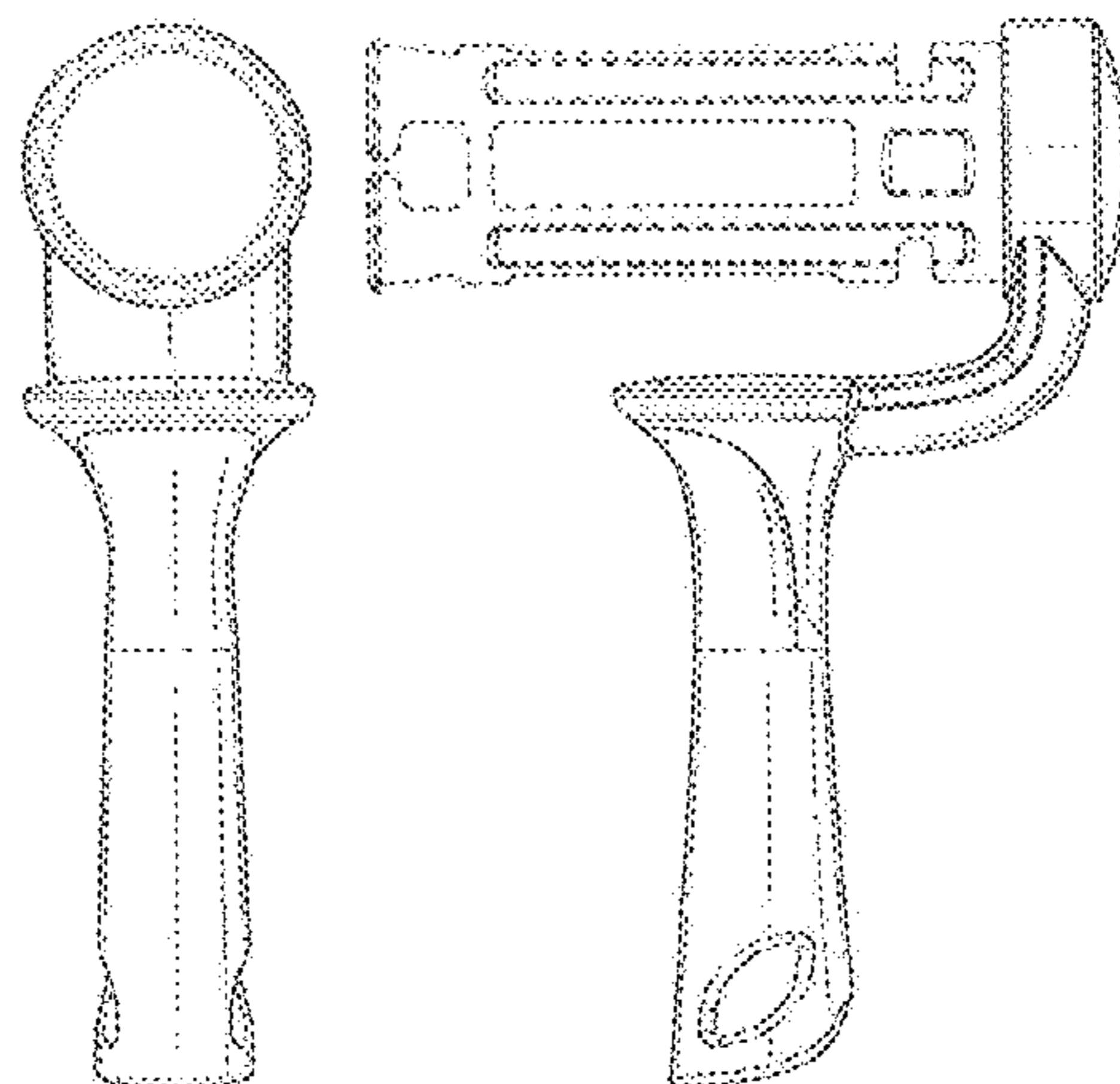
FIG. 7 is a bottom plan view thereof.

The broken lines in the drawings show structure and/or boundaries that are not part of the claimed design, but rather show the environment in which the design is associated, or show portions of the article in which the design is embodied or applied to that are not considered part of the claimed design.

(56) **References Cited**
U.S. PATENT DOCUMENTS

3,343,194 A * 9/1967 Ramelson A47L 25/005
15/104.002

1 Claim, 5 Drawing Sheets



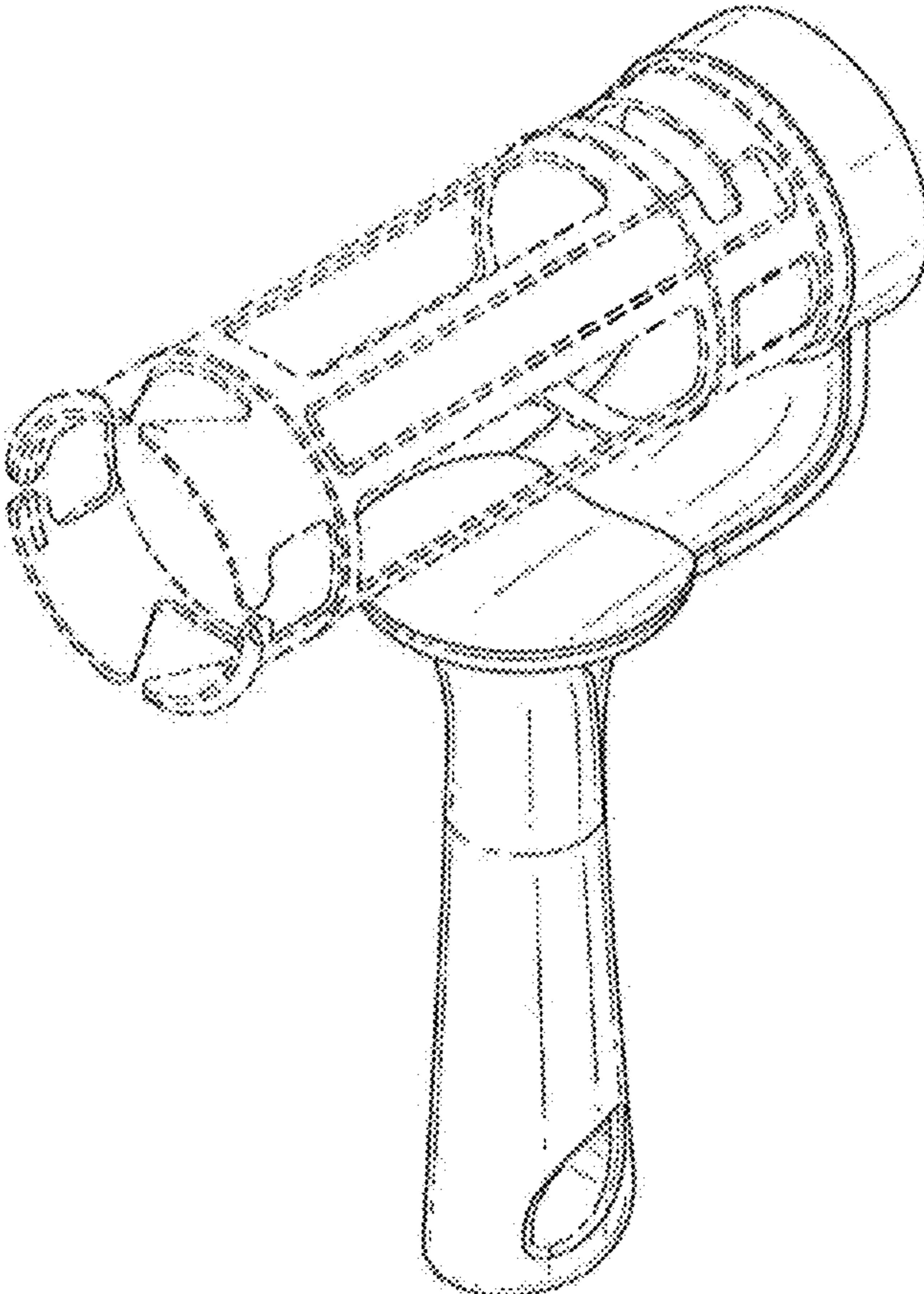


FIG. 1

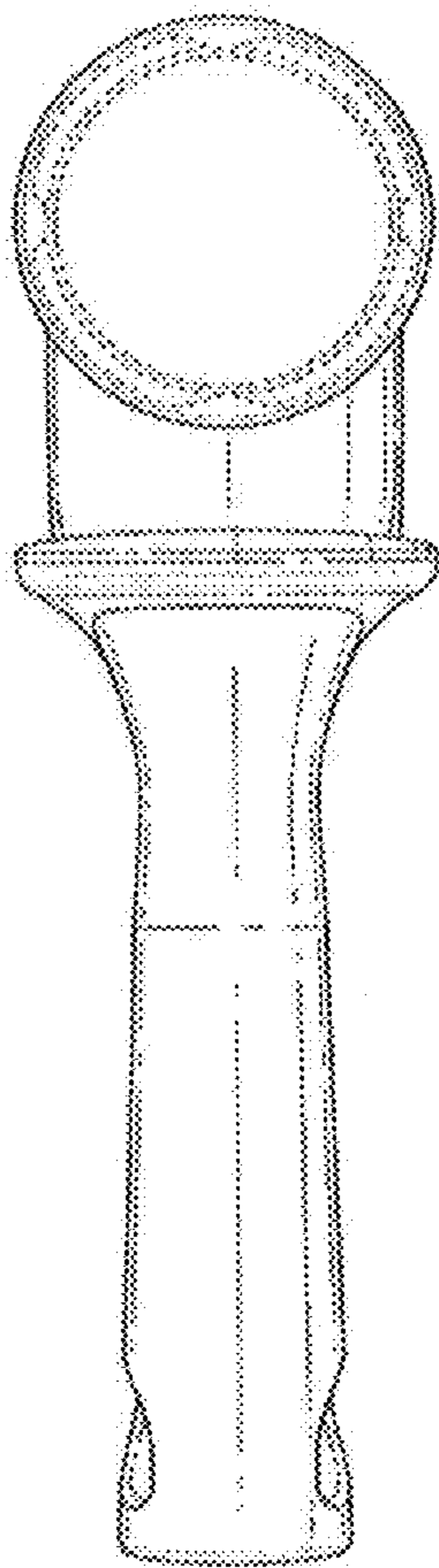


FIG. 2

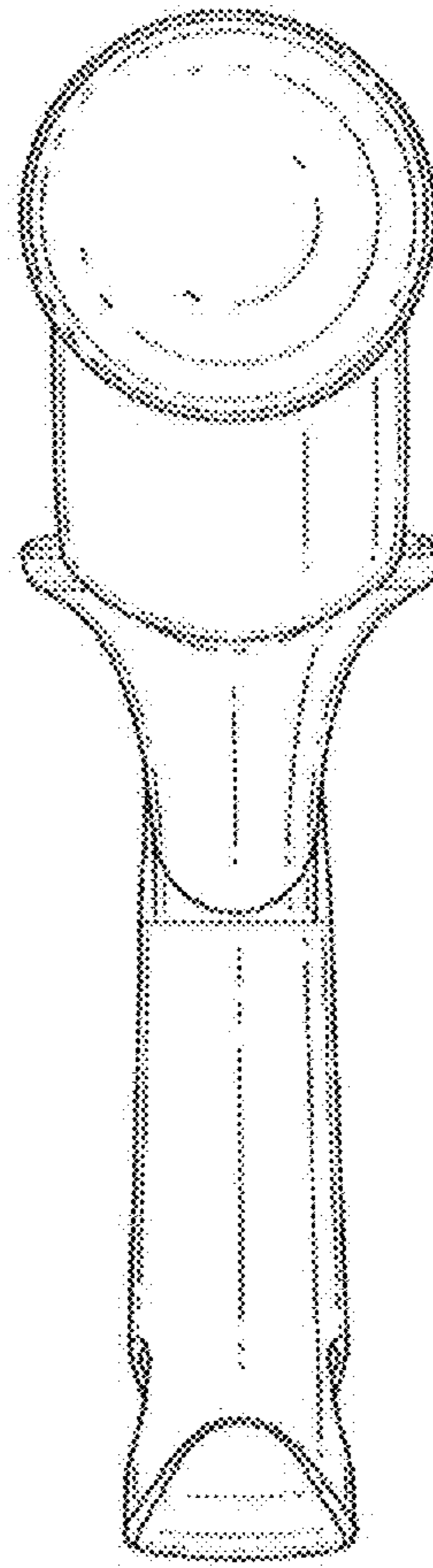


FIG. 3

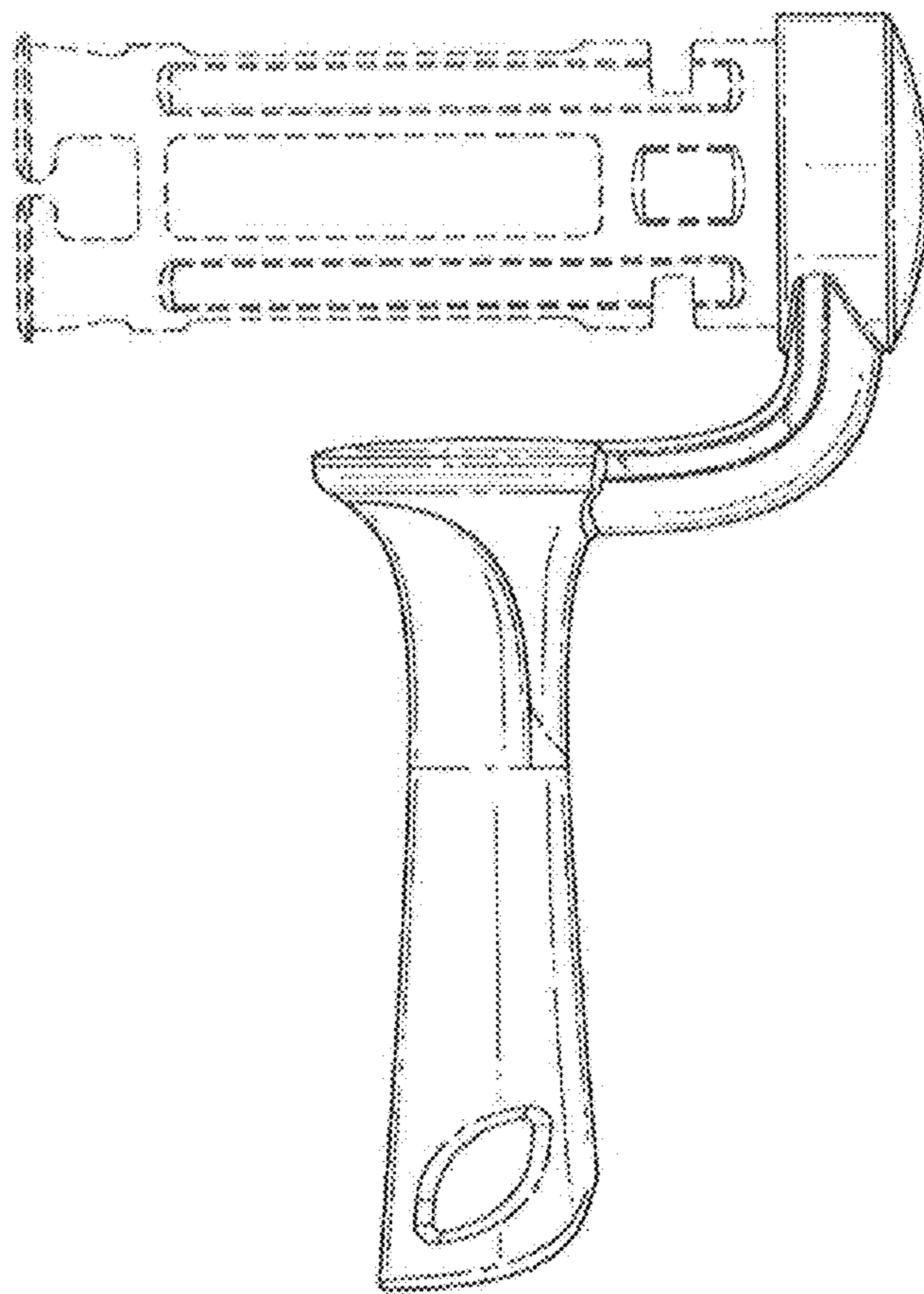


FIG. 4

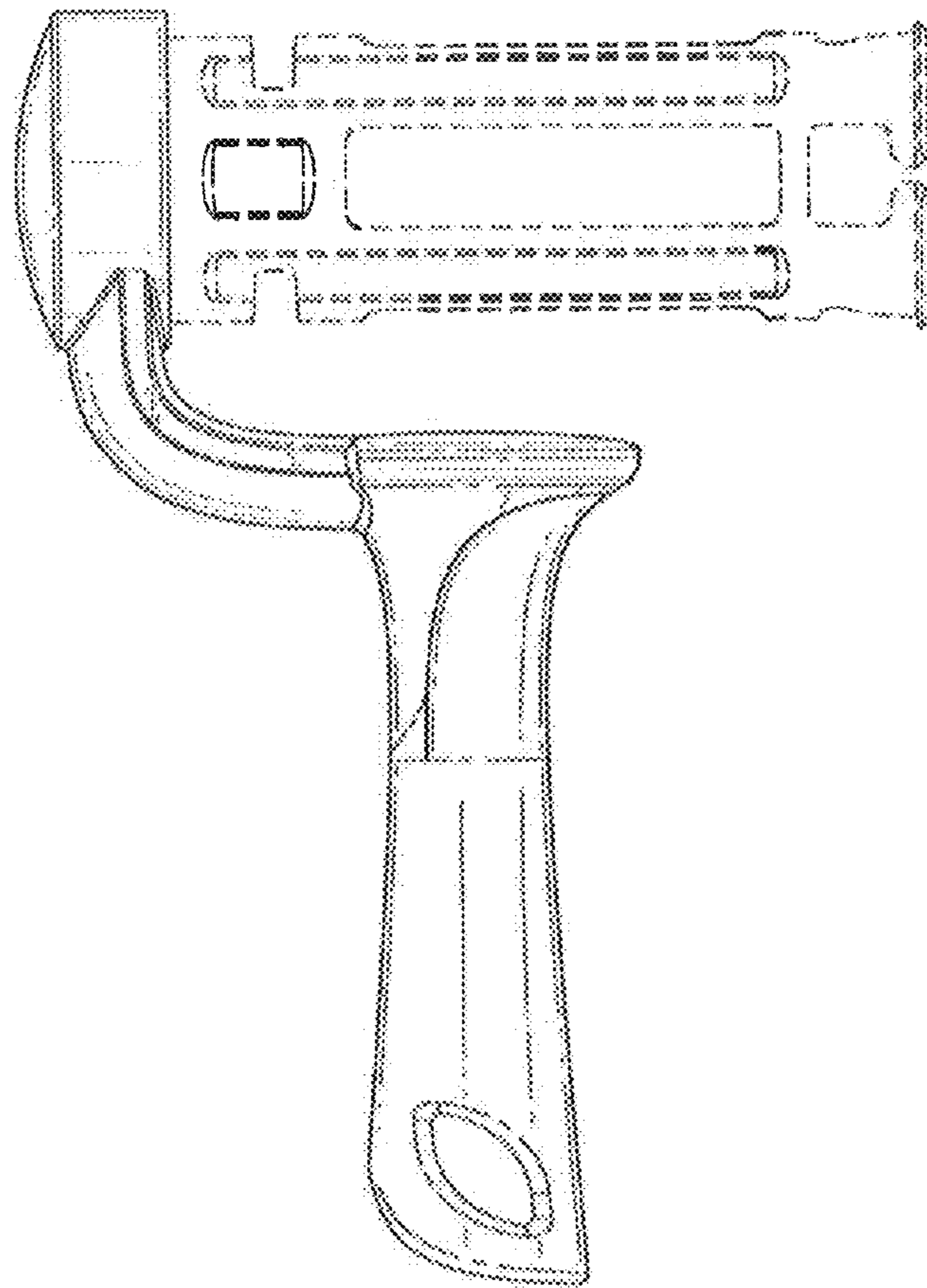


FIG. 5

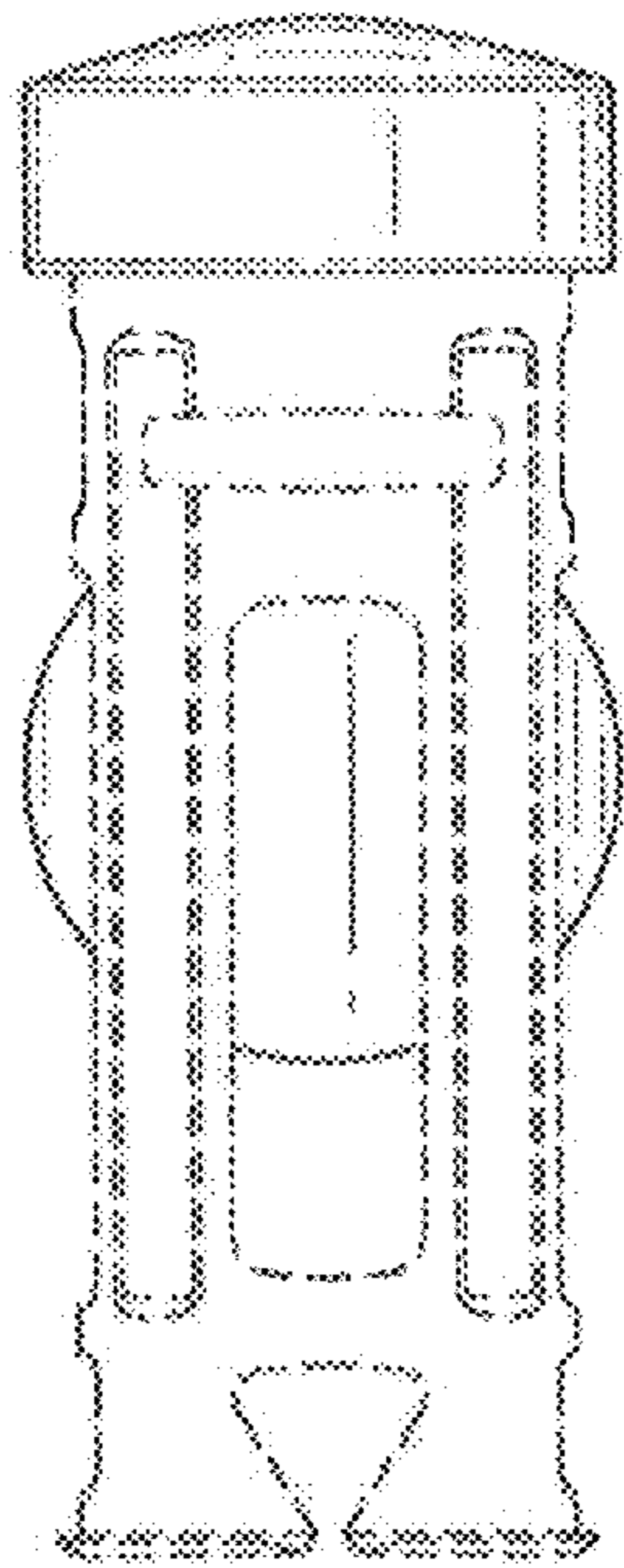


FIG. 6

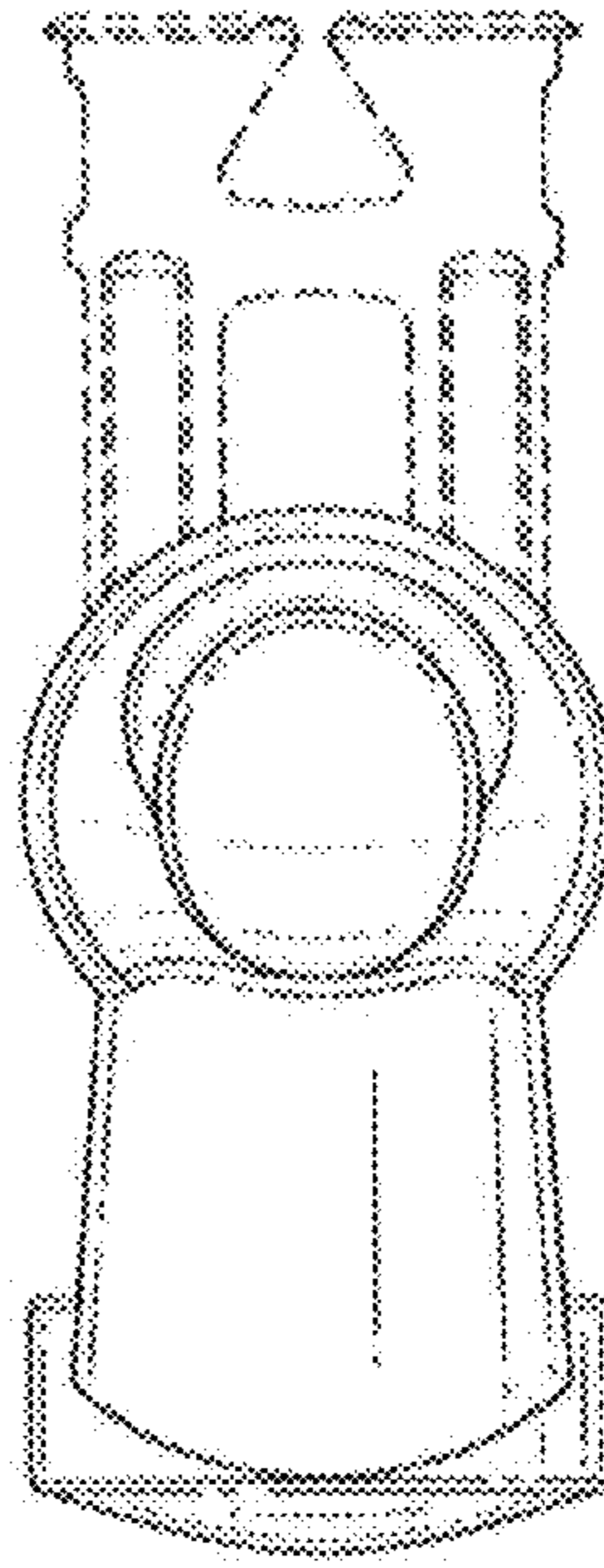


FIG. 7