



US00D756132S

(12) **United States Design Patent**  
**Michelson et al.**

(10) **Patent No.:** **US D756,132 S**  
(45) **Date of Patent:** **\*\* May 17, 2016**

- (54) **HANDLE FOR A FUR ERASE LINT BRUSH**
- (71) Applicant: **Butler Home Products, LLC**,  
Marlborough, MA (US)
- (72) Inventors: **Robert Michelson**, Wayland, MA (US);  
**Michael Silverman**, Westborough, MA  
(US); **Joshua Charles Landis**,  
Cumming, GA (US)
- (73) Assignee: **Butler Home Products**, Hudson, MA  
(US)
- (\*\*) Term: **14 Years**
- (21) Appl. No.: **29/519,526**
- (22) Filed: **Mar. 5, 2015**
- (51) **LOC (10) Cl.** ..... **04-01**
- (52) **U.S. Cl.**  
USPC ..... **D4/138; D4/122**
- (58) **Field of Classification Search**  
USPC ..... D4/122, 131-138; D7/393, 392, 401.2;  
D8/10, 11, 45, 80, 83, 98, 107, 303;  
15/104.001, 104.002, 143.1, 159.1,  
15/160, 230, 230.11; 16/430; 492/13, 16,  
492/17, 19  
CPC ..... A46B 5/02; A46B 5/021; A46B 5/023;  
A46B 5/025; A46B 5/026; A46B 7/06;  
A46B 7/10; A47J 45/00; A47J 45/06; A47J  
45/061; A47J 45/07; A47J 45/071; B25G  
1/00; B25G 1/005; B25G 1/10; B25G 1/102;  
B25G 1/105; B26B 1/10; Y10S 16/12; Y10S  
16/19; Y10T 16/446; Y10T 16/469; Y10T  
16/476; A47L 25/00; A47L 25/005; A47L  
25/08; B08B 1/00; B08B 1/04; B08B 7/0028;  
B05C 17/02; B05C 17/0205; B05C 17/0217;  
B05C 17/0222; B05C 17/0225  
See application file for complete search history.

- D531,815 S \* 11/2006 Treacy ..... D4/122
- D573,798 S \* 7/2008 Catalfamo et al. .... D4/122
- D606,760 S \* 12/2009 Dotterman et al. .... D4/125
- D656,319 S \* 3/2012 Kye et al. .... D4/122
- D671,747 S \* 12/2012 Guyton et al. .... D4/122
- 2013/0205522 A1\* 8/2013 Butts ..... A47L 25/005  
15/104.002

**FOREIGN PATENT DOCUMENTS**

KR 30-0323897 S \* 5/2003

**OTHER PUBLICATIONS**

CN301100883 Registered Design, (Wang, Willie) Jan. 6, 2010,  
[online], [retrieved on Dec. 23, 2015] Retrieved from the Questel  
Intellectual Property Portal Design Database using the Internet:  
<URL: <http://www.orbit.com>>.\*

\* cited by examiner

*Primary Examiner* — Melanie H Tung  
*Assistant Examiner* — Lavone D Tabor  
(74) *Attorney, Agent, or Firm* — McCarter & English LLP

(57) **CLAIM**

The ornamental design for a handle for a fur erase lint brush,  
as shown and described.

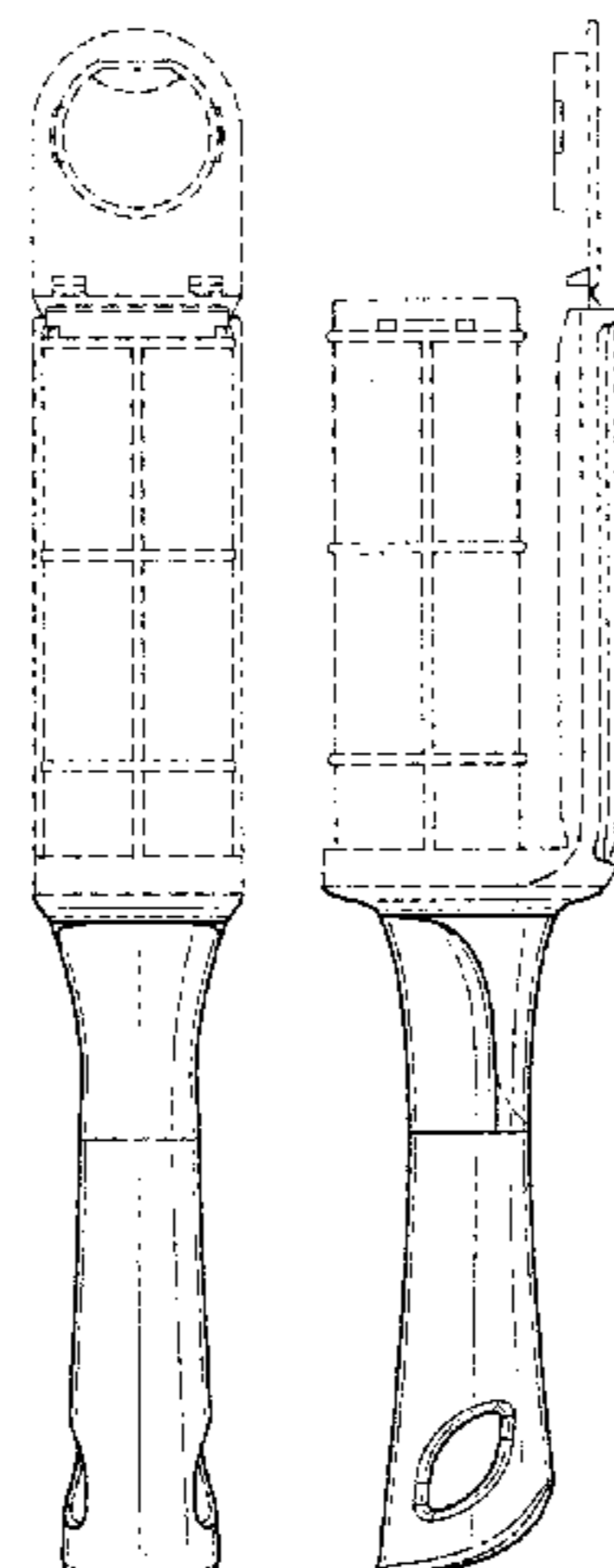
**DESCRIPTION**

FIG. 1 is a perspective view of a handle for a fur erase lint  
brush;  
FIG. 2 is a front elevational view thereof;  
FIG. 3 is a rear elevational view thereof;  
FIG. 4 is a right side elevational view thereof;  
FIG. 5 is a left side elevational view thereof;  
FIG. 6 is a top plan view thereof; and,  
FIG. 7 is a bottom plan view thereof.  
The broken lines in the drawings show structure and/or  
boundaries that are not part of the claimed design, but rather  
show the environment in which the design is associated, or  
show portions of the article in which the design is embodied  
or applied to that are not considered part of the claimed  
design.

**1 Claim, 2 Drawing Sheets**

(56) **References Cited**  
U.S. PATENT DOCUMENTS

- D467,736 S \* 12/2002 Russell ..... D4/122
- D483,570 S \* 12/2003 Heidel et al. .... D4/122
- 6,925,674 B2 \* 8/2005 Prince et al. .... B05C 17/02  
15/230.11



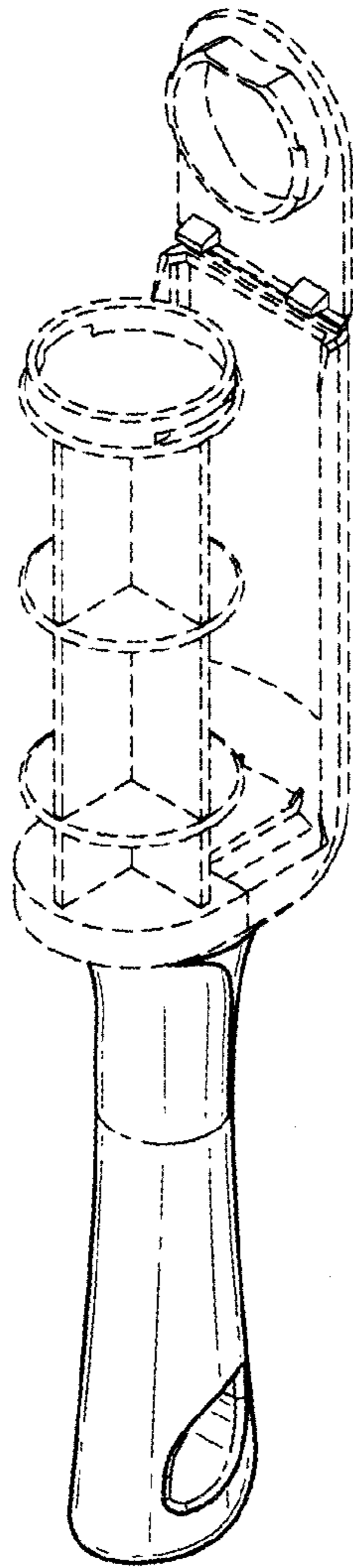


FIG. 1



FIG. 2

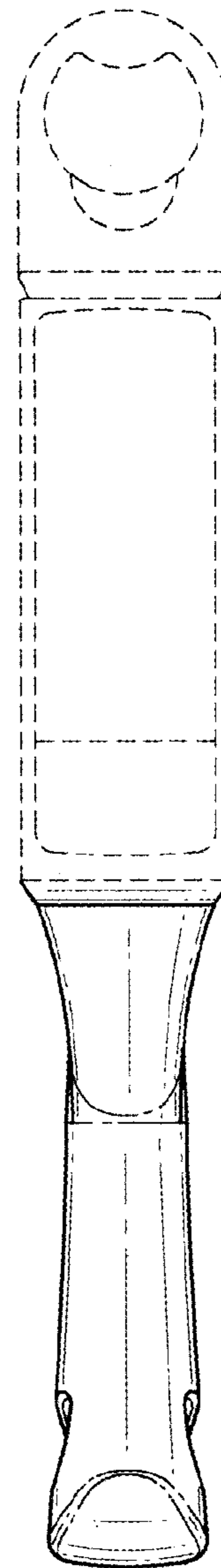


FIG. 3

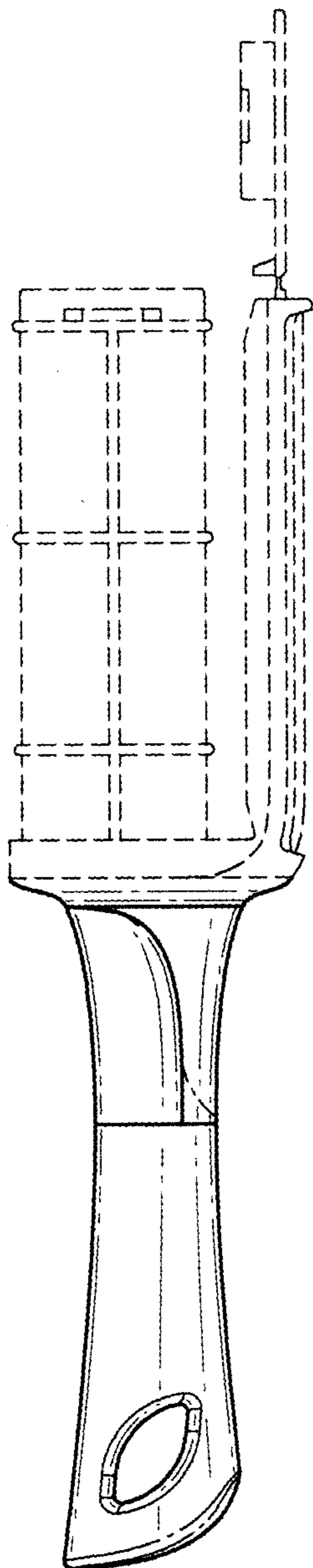


FIG. 4

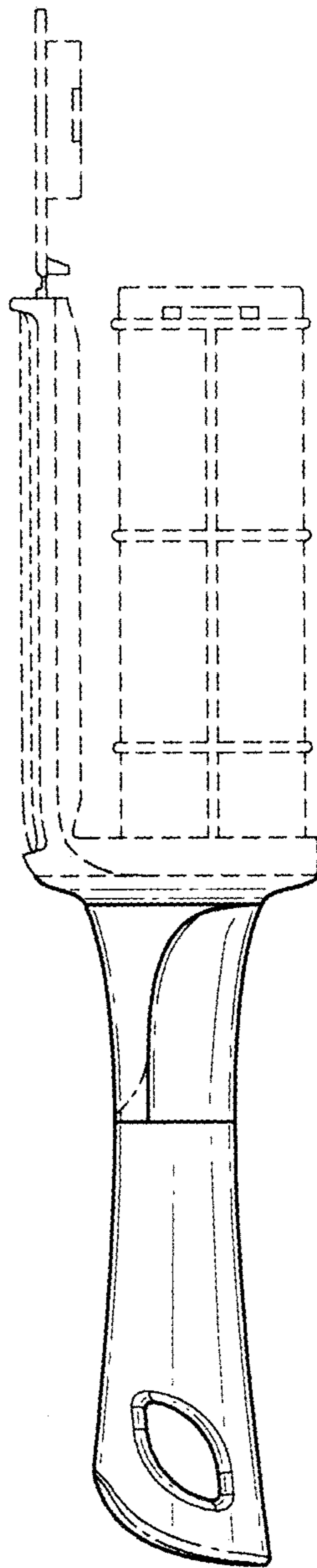


FIG. 5

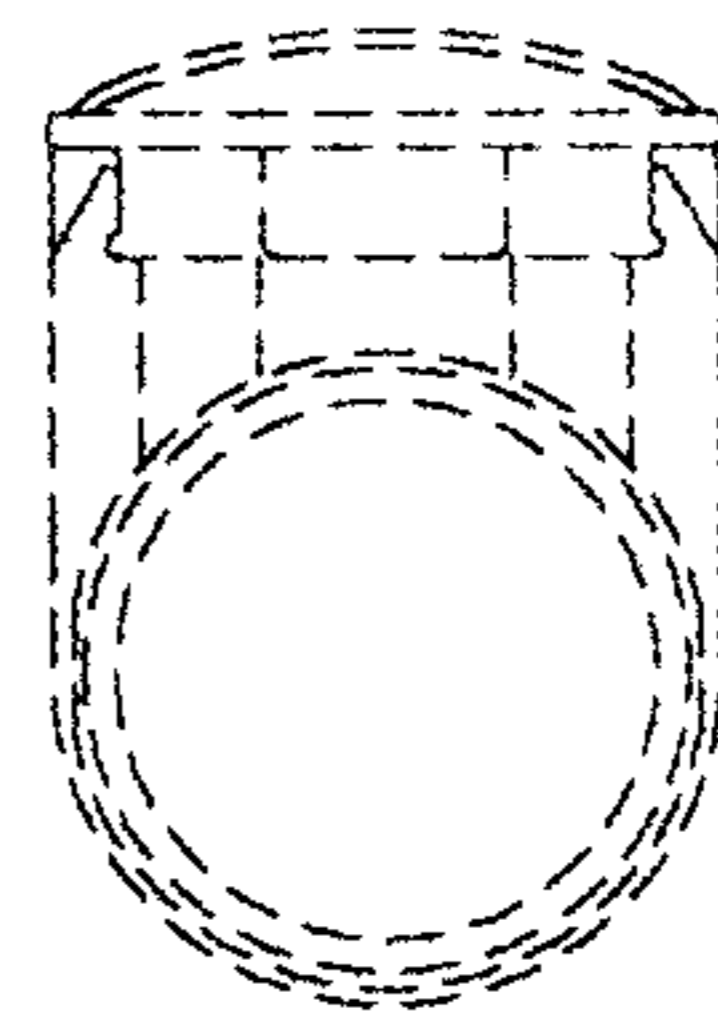


FIG. 6

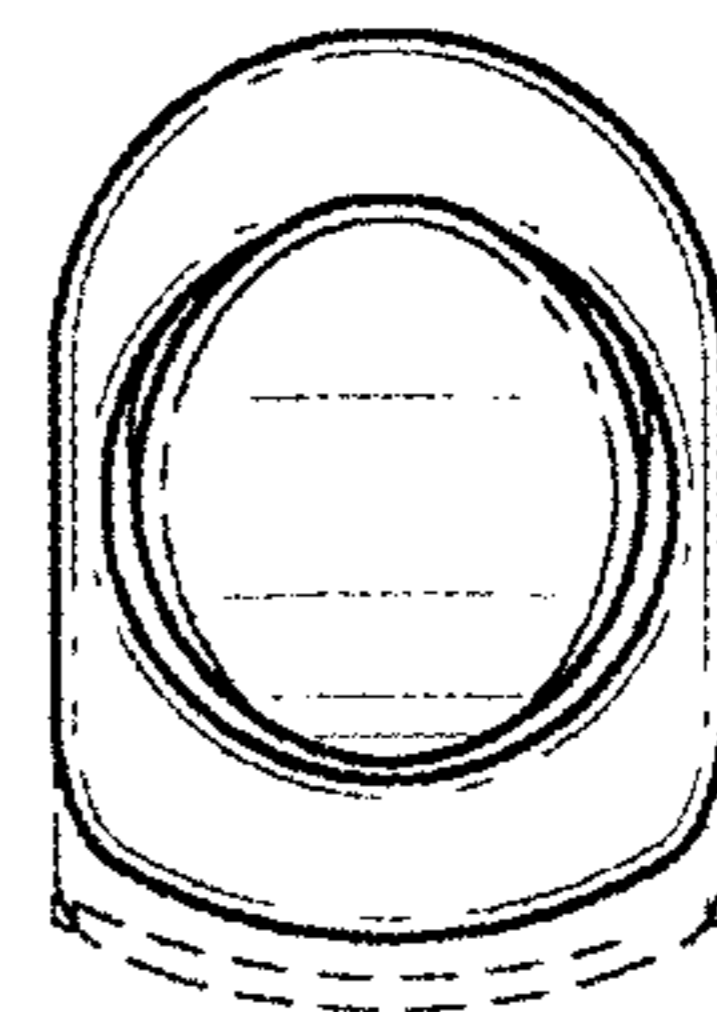


FIG. 7