



US00D756131S

(12) **United States Design Patent**
Michelson et al.

(10) **Patent No.:** **US D756,131 S**
(45) **Date of Patent:** **** May 17, 2016**

(54) **OFFSET HANDLE FOR A LINT BRUSH**

(71) Applicant: **Butler Home Products, LLC,**
Marlborough, MA (US)

(72) Inventors: **Robert Michelson,** Wayland, MA (US);
Michael Silverman, Westborough, MA (US);
Joshua Charles Landis, Cumming, GA (US)

(73) Assignee: **Butler Home Products,** Hudson, MA (US)

(**) Term: **14 Years**

(21) Appl. No.: **29/519,516**

(22) Filed: **Mar. 5, 2015**

(51) **LOC (10) Cl.** **04-01**

(52) **U.S. Cl.**
USPC **D4/138; D4/122**

(58) **Field of Classification Search**
USPC D4/122, 131-138; D7/393, 392, 401.2;
D8/10, 11, 45, 80, 83, 98, 107, 303;
15/104.001, 104.002, 143.1, 159.1,
15/160, 230, 230.11; 16/430; 492/13, 16,
492/17, 19

CPC A46B 5/02; A46B 5/021; A46B 5/023;
A46B 5/025; A46B 5/026; A46B 7/06;
A46B 7/10; A47J 45/00; A47J 45/06; A47J
45/061; A47J 45/07; A47J 45/071; B25G
1/00; B25G 1/005; B25G 1/10; B25G 1/102;
B25G 1/105; B26B 1/10; Y10S 16/12; Y10S
16/19; Y10T 16/446; Y10T 16/469; Y10T
16/476; A47L 25/00; A47L 25/005; A47L
25/08; B08B 1/00; B08B 1/04; B08B 7/0028;
B05C 17/02; B05C 17/0205; B05C 17/0217;
B05C 17/0222; B05C 17/0225

See application file for complete search history.

(56) **References Cited**

U.S. PATENT DOCUMENTS

D169,413 S * 4/1953 Bordelon D7/649
D303,921 S * 10/1989 Blochlinger et al. D7/649

6,925,674 B2 * 8/2005 Prince et al. B05C 17/02
15/230.11
D552,356 S * 10/2007 Newbould et al. D4/122
D575,065 S * 8/2008 Benson et al. D4/122
D606,760 S * 12/2009 Dotterman et al. D4/125
D656,319 S * 3/2012 Kye et al. D4/122
D671,747 S * 12/2012 Guyton et al. D4/122

FOREIGN PATENT DOCUMENTS

KR 30-0323897 S * 5/2003

OTHER PUBLICATIONS

CN301100883 Registered Design, (Wang, Willie) Jan. 6, 2010,
[online], [retrieved on Dec. 23, 2015] Retrieved from the Questel
Intellectual Property Portal Design Database using the Internet:
<URL: <http://www.orbit.com>>.*

* cited by examiner

Primary Examiner — Melanie H Tung

Assistant Examiner — Lavone D Tabor

(74) *Attorney, Agent, or Firm* — McCarter & English LLP

(57) **CLAIM**

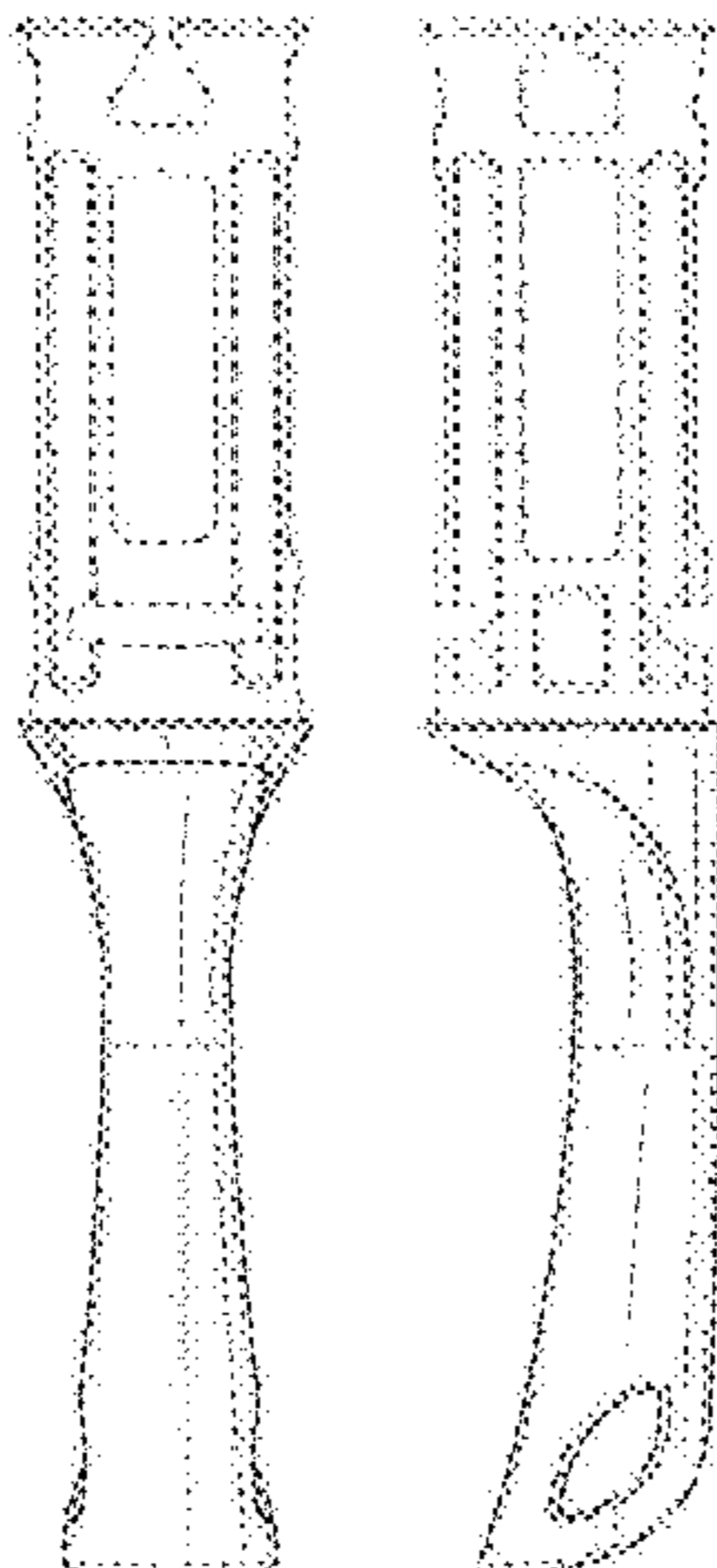
The ornamental design for an offset handle for a lint brush, as shown and described.

DESCRIPTION

FIG. 1 is a perspective view of an offset handle for a lint brush;
FIG. 2 is a front elevational view thereof;
FIG. 3 is a rear elevational view thereof;
FIG. 4 is a right side elevational view thereof;
FIG. 5 is a left side elevational view thereof;
FIG. 6 is a bottom plan view thereof; and,
FIG. 7 is a top plan view thereof.

The broken lines in the drawings show structure and/or boundaries that are not part of the claimed design, but rather show the environment in which the design is associated, or show portions of the article in which the design is embodied or applied to that are not considered part of the claimed design.

1 Claim, 2 Drawing Sheets



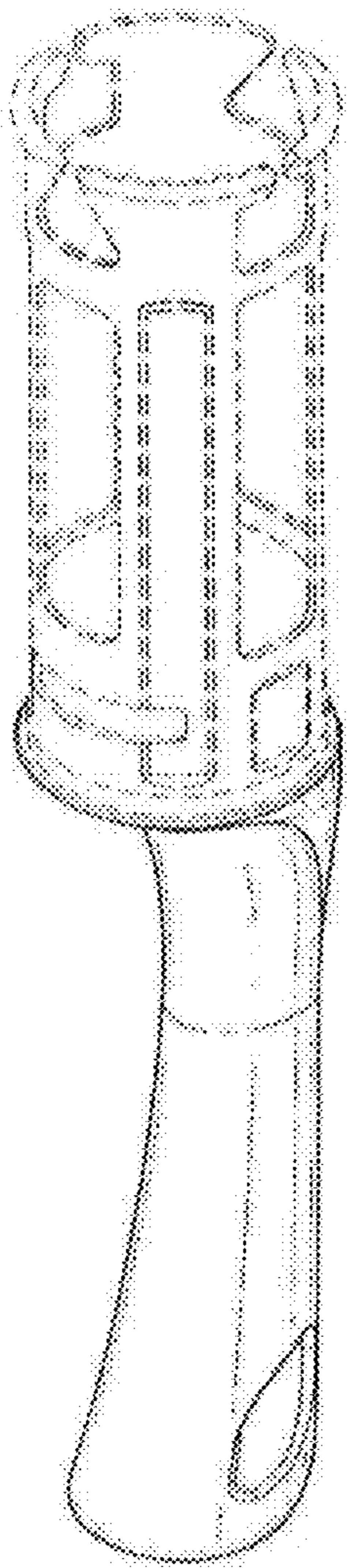


FIG. 1

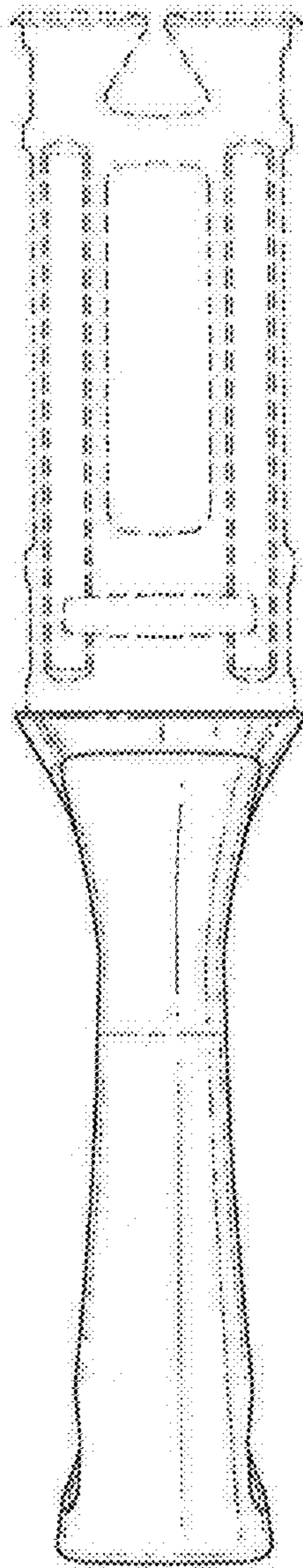


FIG. 2

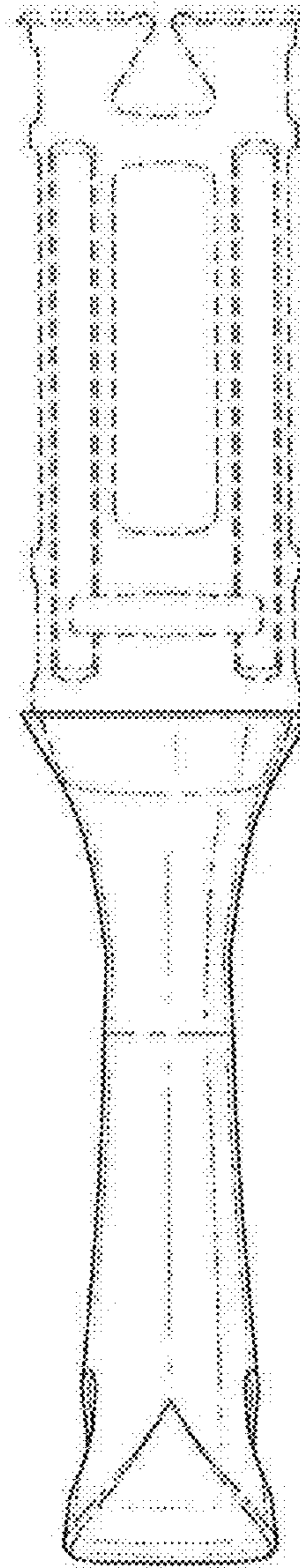


FIG. 3

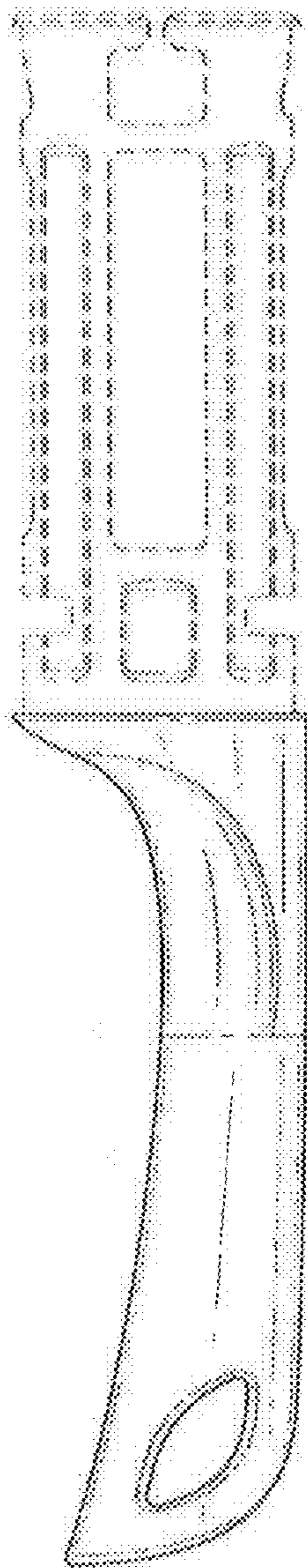


FIG. 4

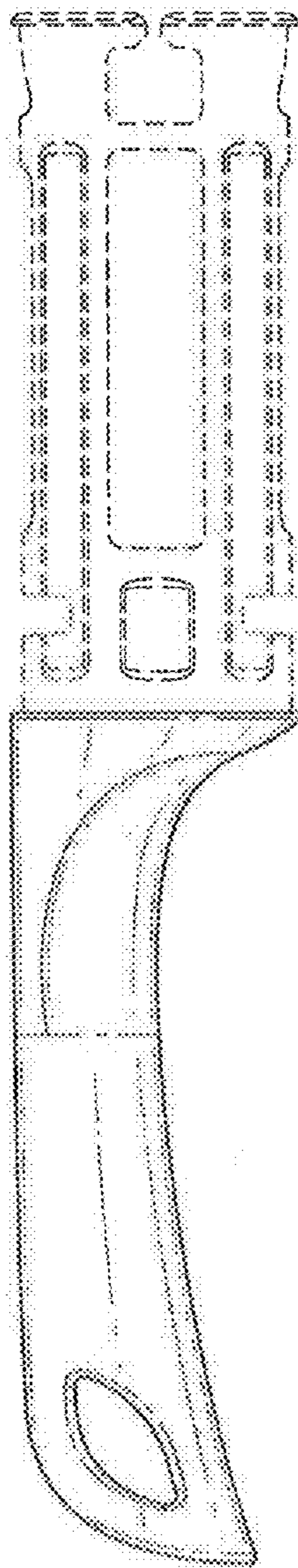


FIG. 5

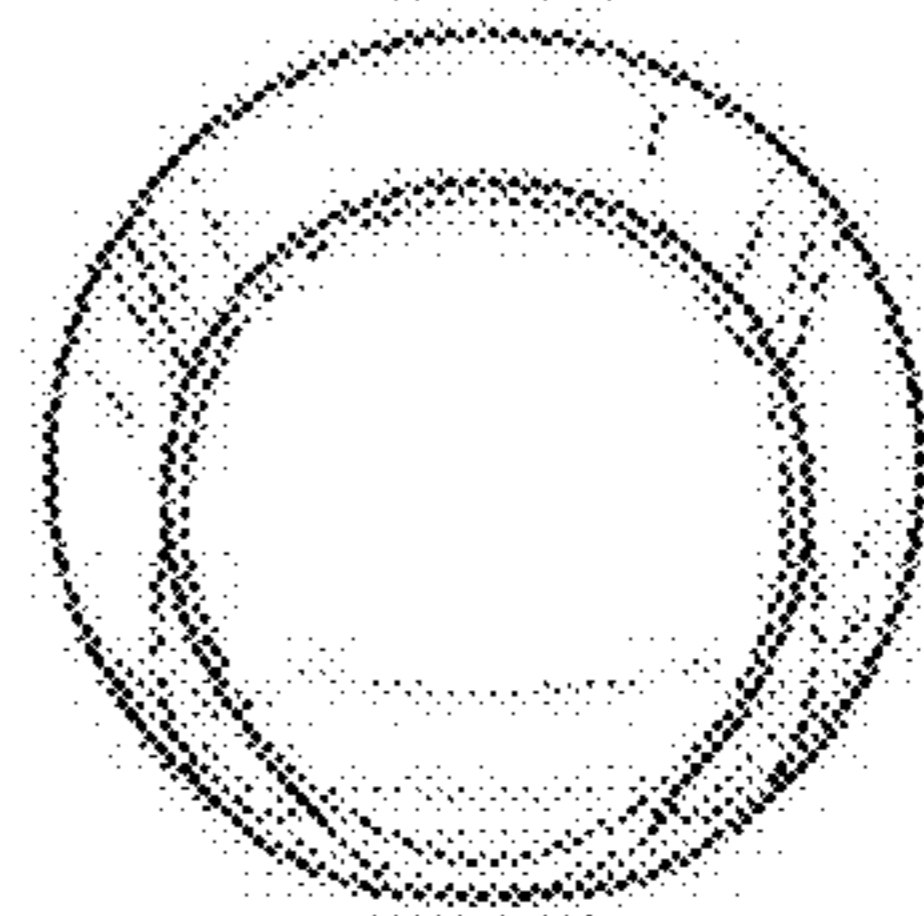


FIG. 6

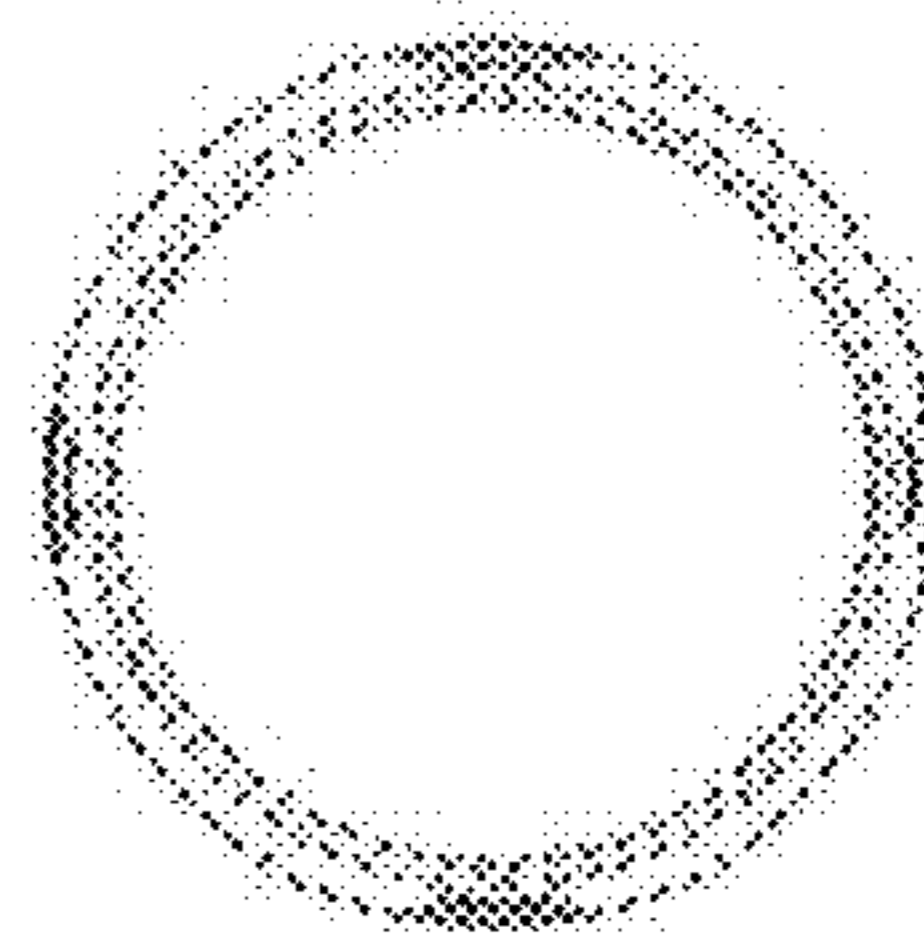


FIG. 7