



US00D756126S

(12) **United States Design Patent**
Makiuchi et al.

(10) **Patent No.:** **US D756,126 S**
(45) **Date of Patent:** **** May 17, 2016**

- (54) **LINT ROLLER COVER**
- (71) Applicant: **3M INNOVATIVE PROPERTIES COMPANY**, St. Paul, MN (US)
- (72) Inventors: **Nagomi Makiuchi**, Kanagawa (JP);
Naritada Ohoka, Kanagawa (JP);
Takashi Takenouchi, Kanagawa (JP);
Yasuyuki Daigo, Tokyo (JP)
- (73) Assignee: **3M INNOVATIVE PROPERTIES COMPANY**, St. Paul, MN (US)
- (**) Term: **15 Years**
- (21) Appl. No.: **29/526,834**
- (22) Filed: **May 13, 2015**
- (51) **LOC (10) Cl.** **08-05**
- (52) **U.S. Cl.**
USPC **D4/122**
- (58) **Field of Classification Search**
USPC D4/122, 199; D6/317, 566; D8/370,
D8/373, 107, 303; 15/27, 230.11; 211/106,
211/106.01; 248/302; 492/13, 16, 17, 19;
16/422, 430, 431, 902, DIG. 12,
16/DIG. 18, DIG. 19
CPC A47L 25/005
See application file for complete search history.

- D598,658 S * 8/2009 Peppard D4/199
- 7,841,036 B2 * 11/2010 Smith A47L 25/005
15/104.002
- D635,776 S * 4/2011 Bellot D4/199
- D681,341 S * 5/2013 Caligaris D4/122
- D682,555 S * 5/2013 Refior D4/122
- D683,545 S * 6/2013 Refior D4/122
- D686,793 S * 7/2013 Machacs D32/60
- D691,378 S * 10/2013 Taub D4/122
- D697,312 S * 1/2014 Yao D4/122
- D733,434 S * 7/2015 Miwa D4/122
- 2005/0183223 A1 * 8/2005 Cheng A47L 25/005
15/104.002
- 2010/0133135 A1 * 6/2010 Shelby B44D 3/125
206/446

FOREIGN PATENT DOCUMENTS

- JP 2003-265401 9/2003
- JP 2007-289301 11/2007

* cited by examiner

Primary Examiner — Austin Murphy
(74) *Attorney, Agent, or Firm* — Irina Hass

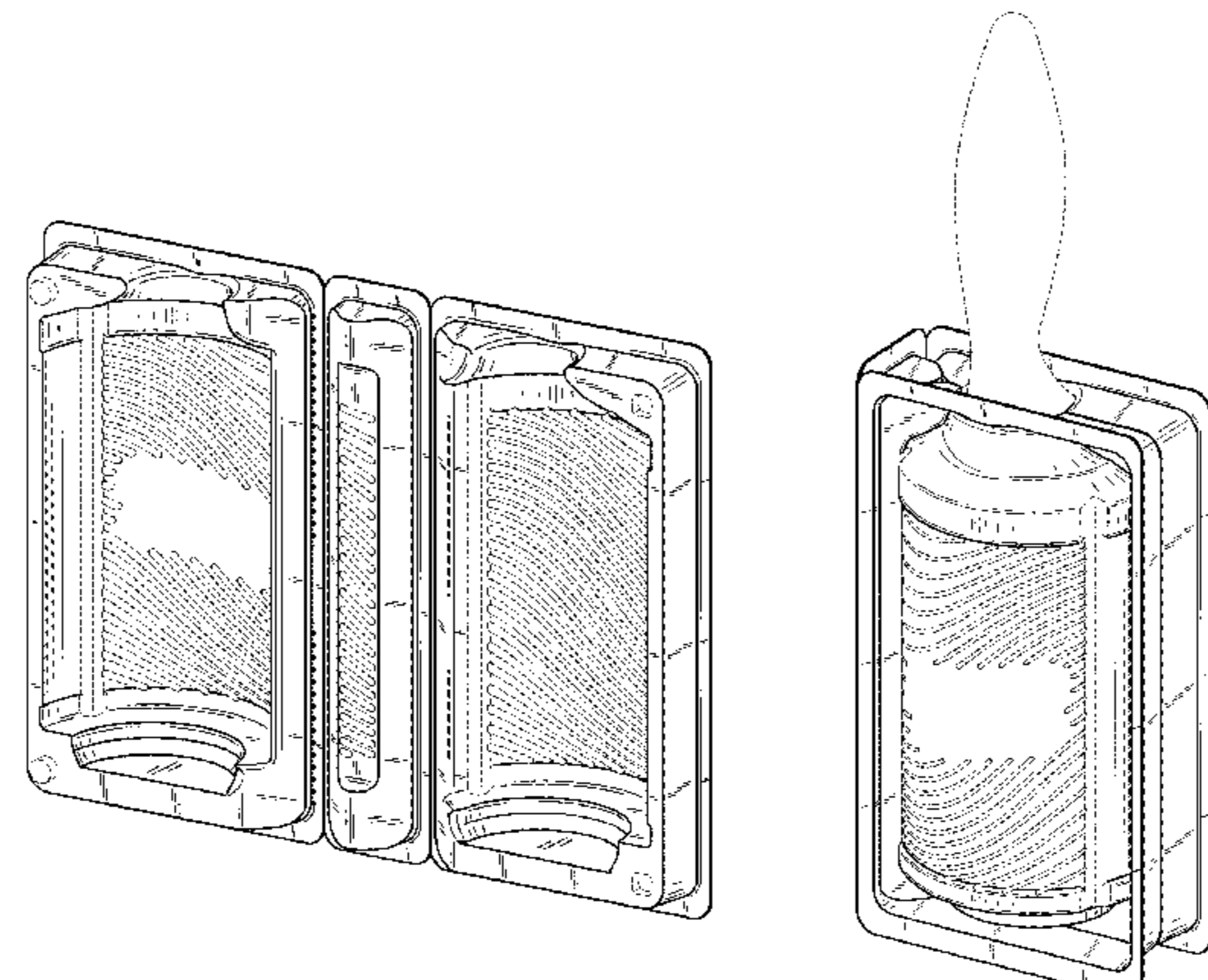
(57) **CLAIM**
The ornamental design for a lint roller cover, as shown and described.

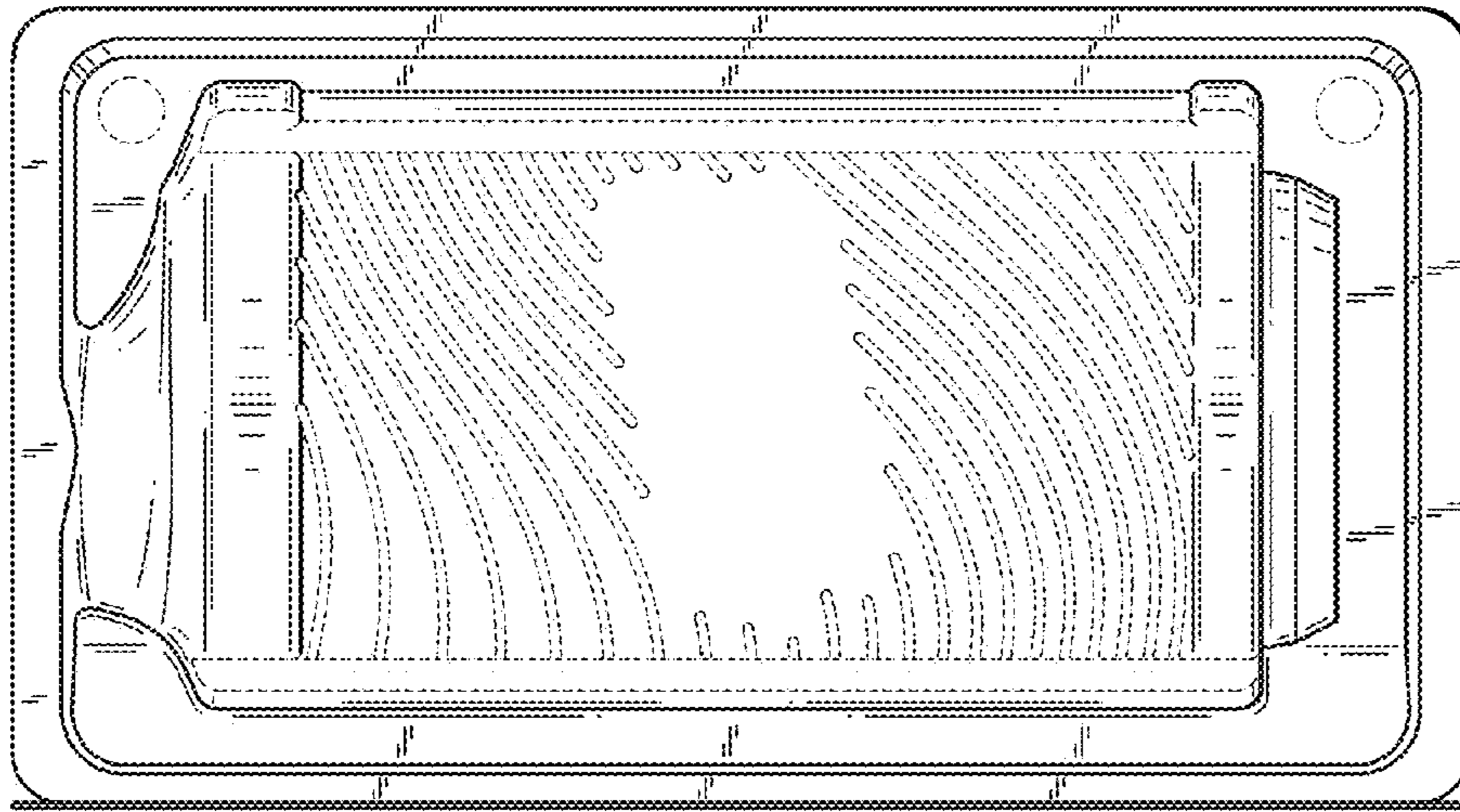
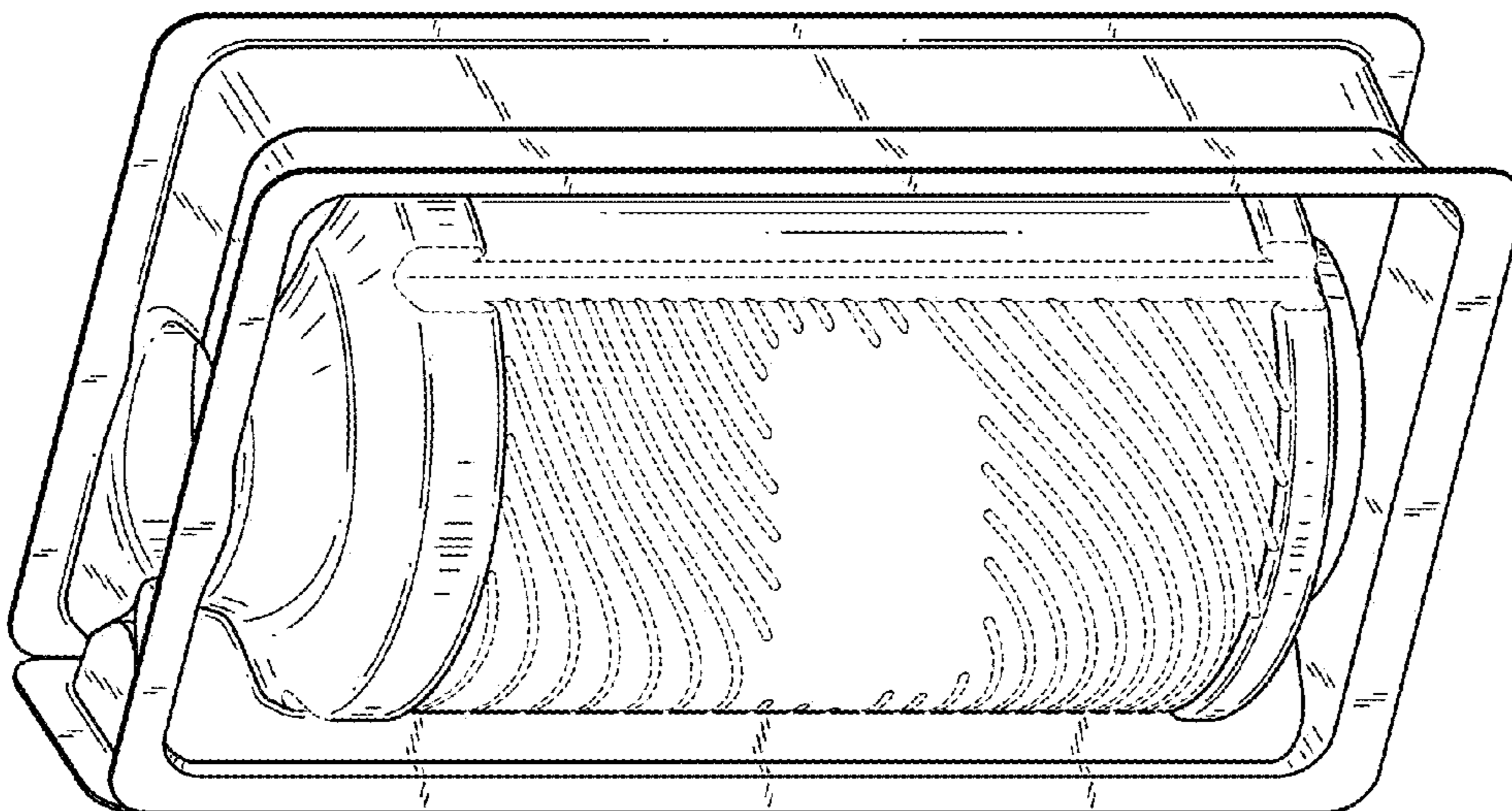
DESCRIPTION

FIG. 1 is a perspective view showing the new design for a lint roller cover;
 FIG. 2 is a front view thereof;
 FIG. 3 is a left side view thereof;
 FIG. 4 is a rear view thereof;
 FIG. 5 is a right side view thereof;
 FIG. 6 is a top view thereof;
 FIG. 7 is a bottom view thereof;
 FIG. 8 is a perspective view thereof in an open position; and,
 FIG. 9 is a perspective view thereof showing the lint roller cover with a lint roller.
 The portions of the lint roller cover in FIGS. 1-9 shown in broken lines are included to show features that form no part of the claimed design.

1 Claim, 4 Drawing Sheets

- (56) **References Cited**
U.S. PATENT DOCUMENTS
- 3,127,985 A * 4/1964 Scott A46B 17/04
132/308
- 4,940,139 A * 7/1990 Sandt A47L 13/51
206/204
- 5,966,902 A * 10/1999 Korycki B65D 75/22
206/209
- 6,055,695 A * 5/2000 McKay, Jr. A47L 25/005
15/104.002
- 6,530,470 B2 * 3/2003 Roundy B44D 3/125
15/257.06
- D475,537 S * 6/2003 Jessen D4/199
- D545,065 S * 6/2007 Smith D4/199





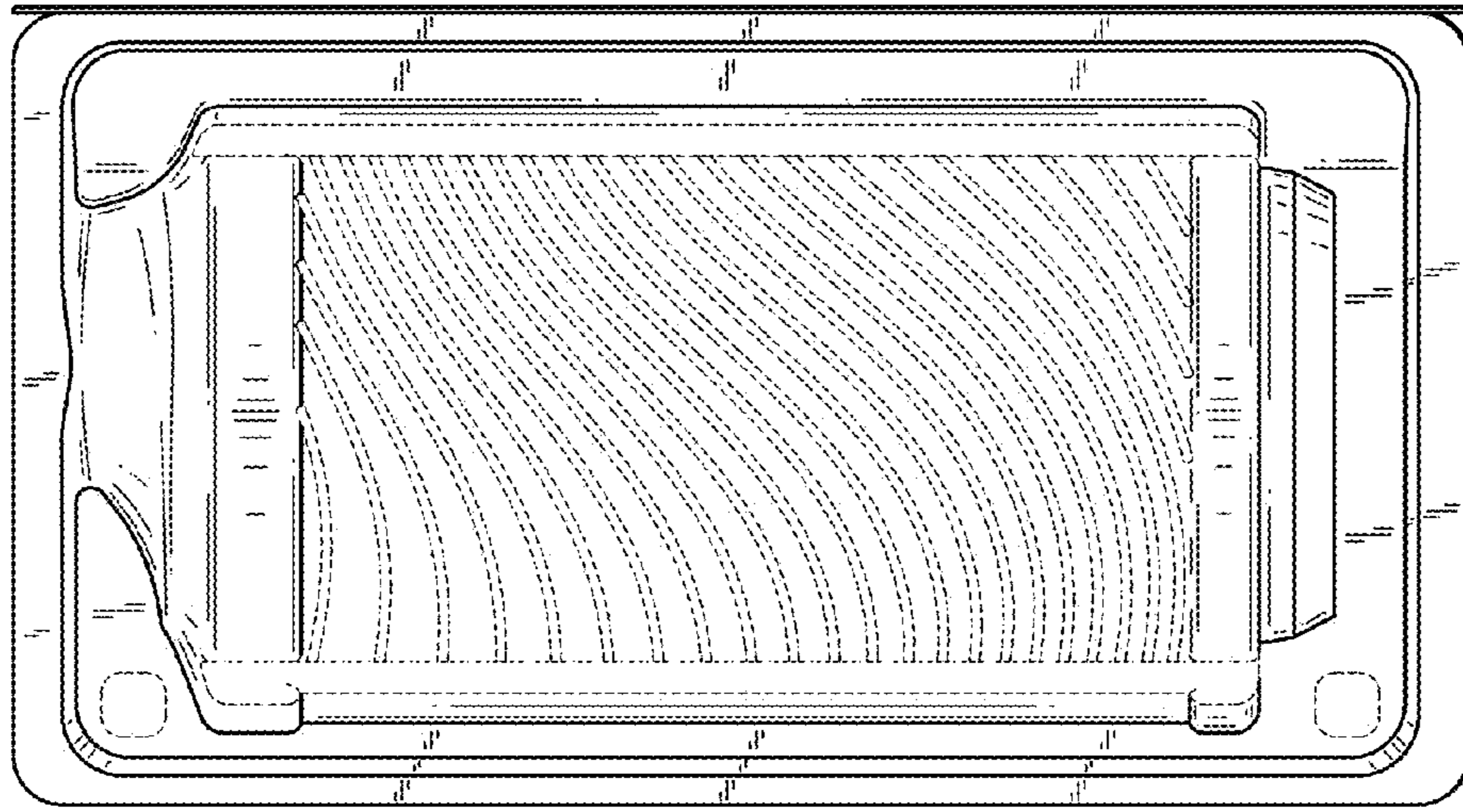


FIG. 4

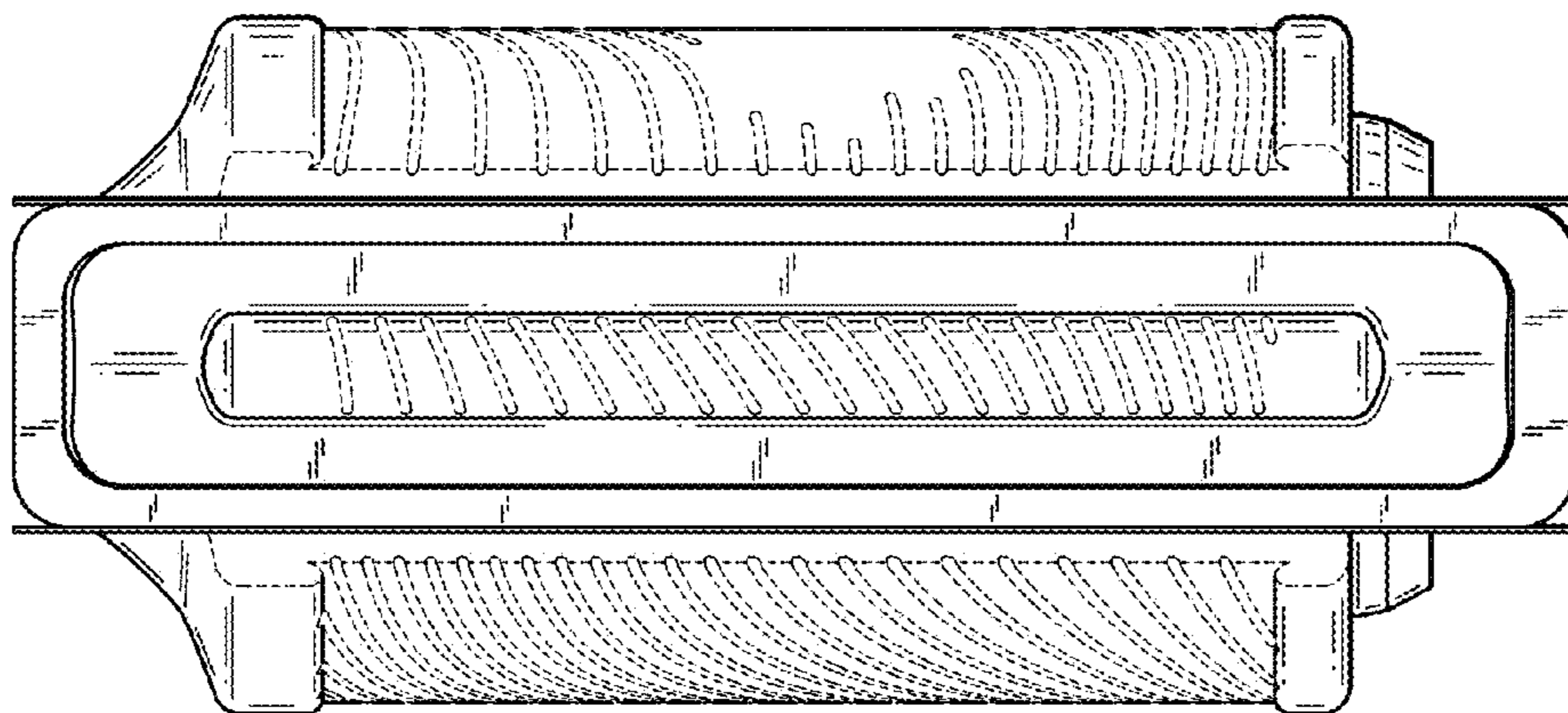


FIG. 3

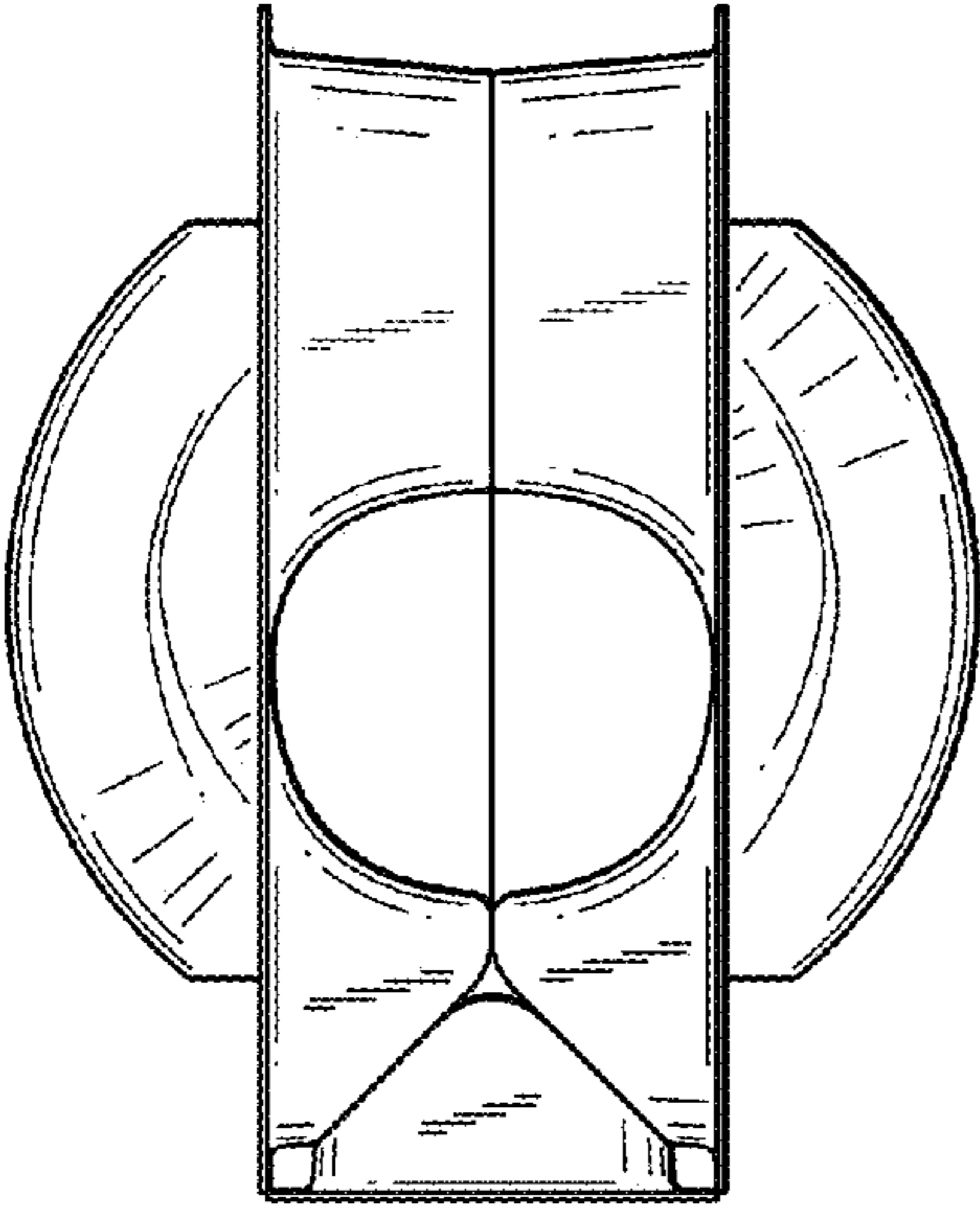


FIG. 6

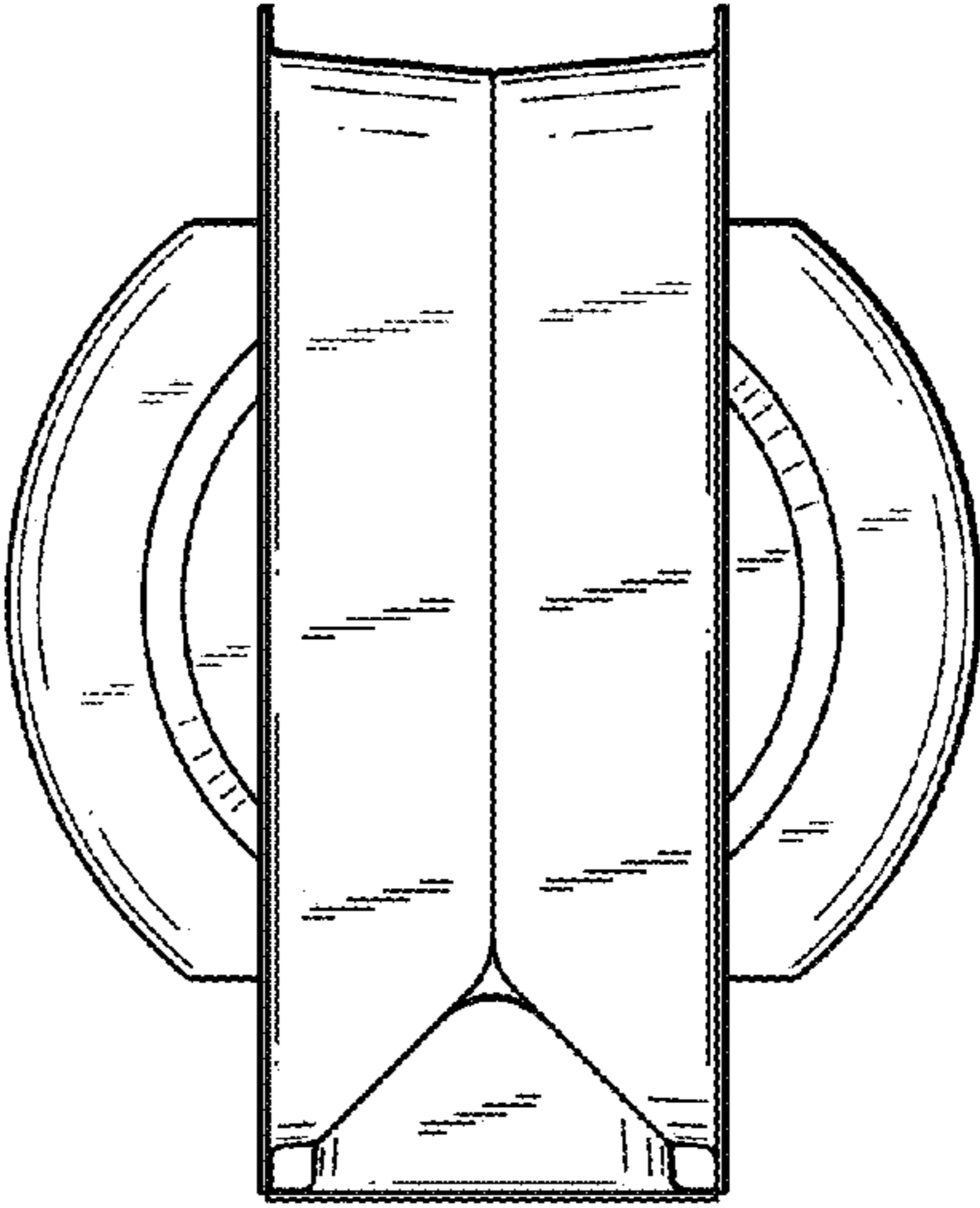


FIG. 7

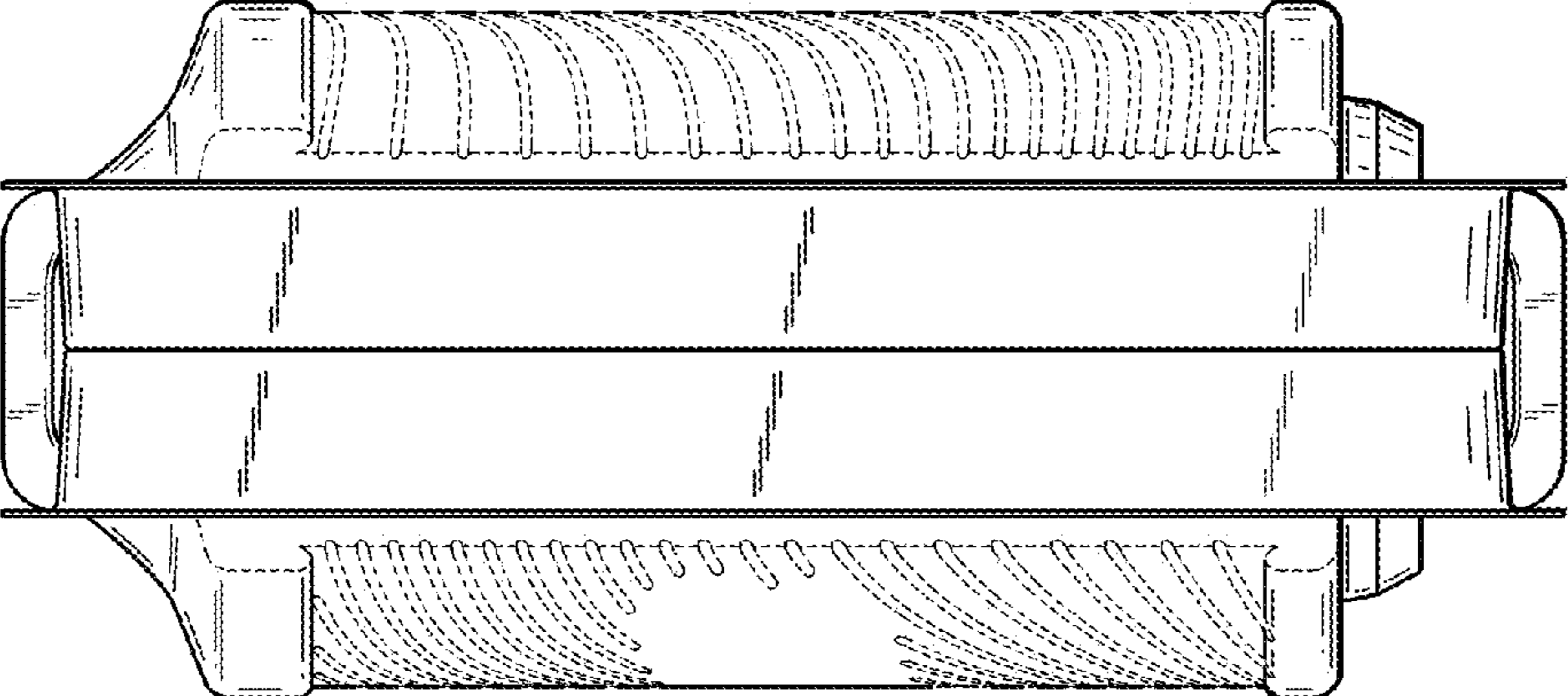


FIG. 5

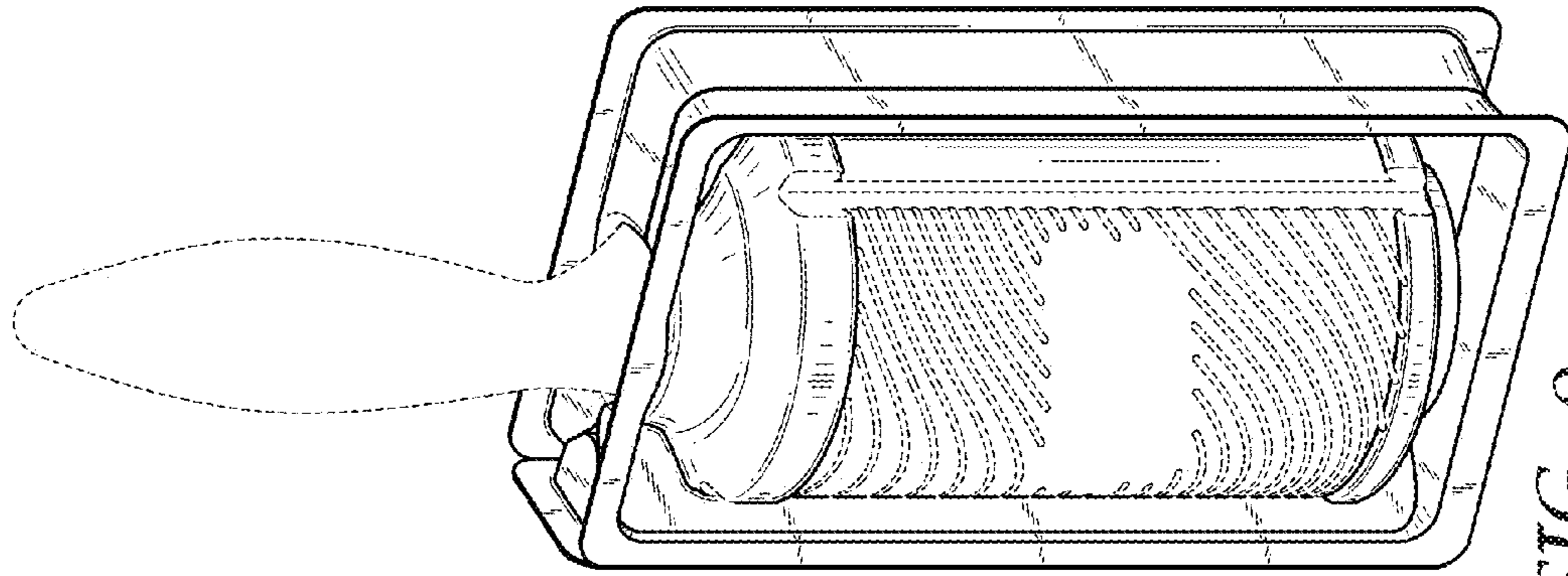


FIG. 9

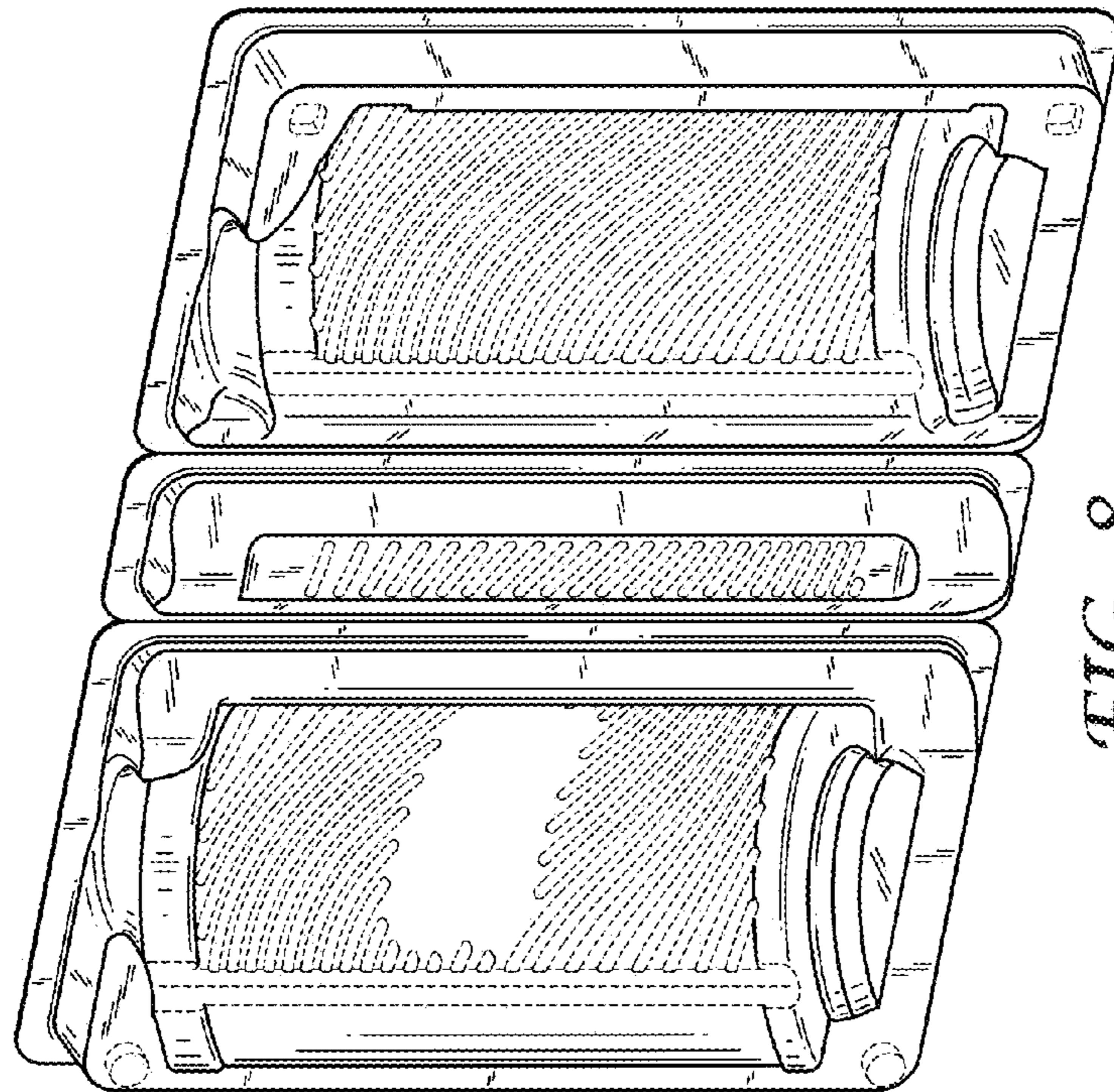


FIG. 8