



US00D756125S

(12) **United States Design Patent**
Hsu

(10) **Patent No.:** **US D756,125 S**
(45) **Date of Patent:** **** May 17, 2016**

(54) **TOOTHPICK BRUSH**

(71) Applicant: **Welter's Co., Ltd.**, Yinlin (TW)

(72) Inventor: **Walter W. Hsu**, Yinlin (TW)

(73) Assignee: **Welter's Co., Ltd.**, Yinlin (TW)

(**) Term: **14 Years**

(21) Appl. No.: **29/521,133**

(22) Filed: **Mar. 20, 2015**

(51) **LOC (10) Cl.** **04-02**

(52) **U.S. Cl.**
USPC **D4/111**

(58) **Field of Classification Search**
USPC D4/111, 128, 131, 138; D28/65, 68;
132/216, 218, 321, 329
CPC A46B 3/00; A46B 3/005; A46B 3/04;
A46B 3/18; A46B 5/02; A46B 5/021; A46B
5/023; A46B 5/025; A46B 5/026; A46B 9/02;
A46B 9/021; A46B 13/003; A46B 13/006;
A46B 15/0069; A46B 15/0071; A46B
15/0073; A46B 2200/00; A46B 2200/01;
A46B 2200/1053; A46B 2200/108; A61C
15/00; A61C 15/02; A61C 15/04; A61C
15/042; A61C 15/046; A61C 15/048
See application file for complete search history.

(56) **References Cited**

U.S. PATENT DOCUMENTS

6,082,999	A *	7/2000	Tcherny et al.	A46B 9/04 132/308
6,638,067	B2 *	10/2003	Fischer et al.	A61C 5/023 433/102
D521,737	S *	5/2006	Siemer	D28/65
D536,529	S *	2/2007	Antler	D4/111
D674,610	S *	1/2013	Eatherton	D4/111
2004/0121284	A1 *	6/2004	Hsu	A46B 3/18 433/141
2005/0118553	A1 *	6/2005	Lagos Galvan	A61C 15/02 433/141

FOREIGN PATENT DOCUMENTS

CN	203524797	U *	4/2014	
JP	2003088425	A *	3/2003	
TW	M284358	U *	1/2006	
WO	WO 2010128591	A1 *	11/2010 A46B 3/18
WO	WO 2014005659	A1 *	1/2014 A46B 1/00

OTHER PUBLICATIONS

DE 40306802-0002 Registered Design (Oral-Prevent Handelsgesellschaft MBH) Feb. 25, 2004, [online], [retrieved on Dec. 10, 2015]. Retrieved from the Designs Register of the German Patent and Trade Mark Office using the Internet: <URL: http://register.dmpa.de>.*

* cited by examiner

Primary Examiner — Robin V Webster

Assistant Examiner — Lavone D Tabor

(74) *Attorney, Agent, or Firm* — Alan D. Kamrath; Kamrath IP Lawfirm, P.A.

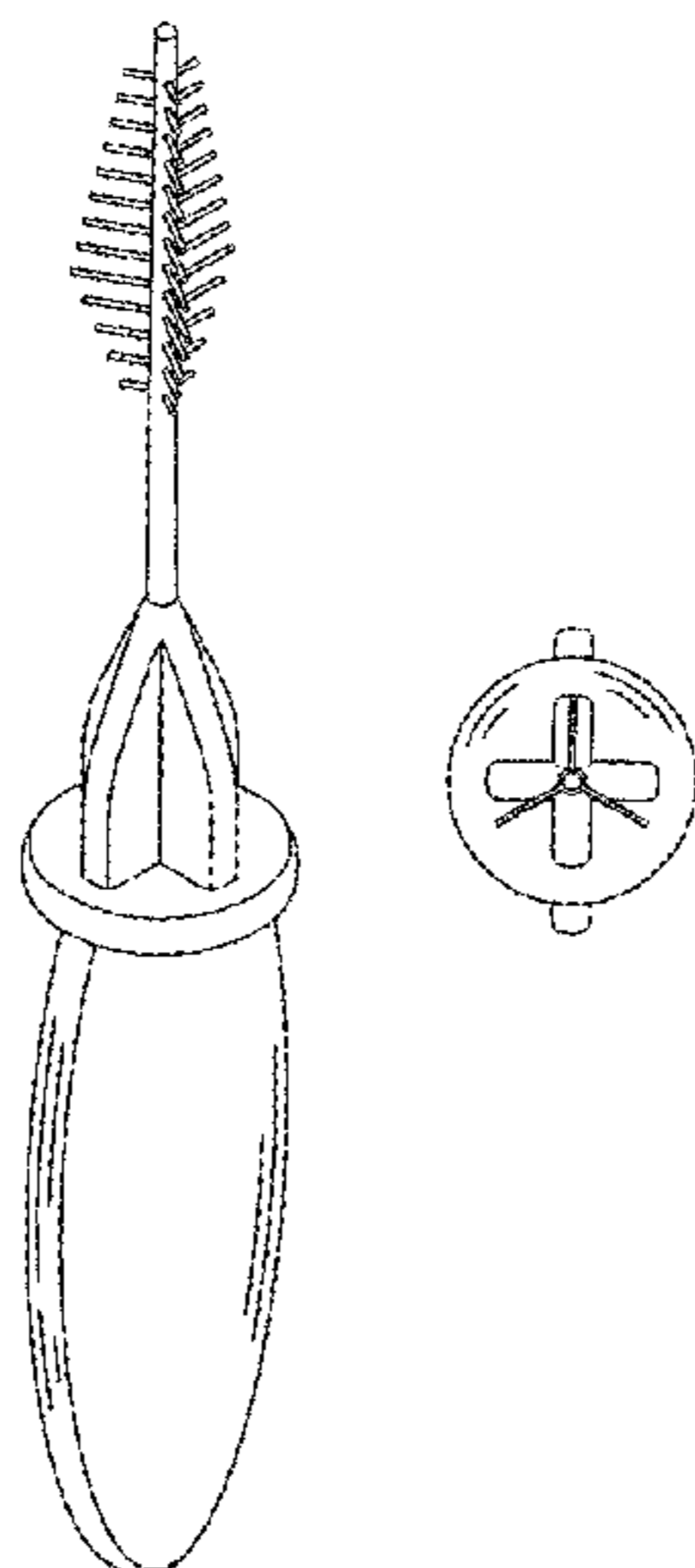
(57) **CLAIM**

The ornamental design for a toothpick brush, as shown and described.

DESCRIPTION

FIG. 1 is a perspective view of a toothpick brush showing my design;
FIG. 2 is a front elevational view thereof;
FIG. 3 is a rear elevational view thereof;
FIG. 4 is a left side elevational view thereof;
FIG. 5 is a right side elevational view thereof;
FIG. 6 is a top plan view thereof;
FIG. 7 is a bottom plan view thereof; and,
FIG. 8 is a perspective schematic view illustrating an application of a toothpick brush with a cover thereon showing my design.
The broken lines shown in the figure are for illustrative purposes only and form no part of the claimed design.

1 Claim, 8 Drawing Sheets



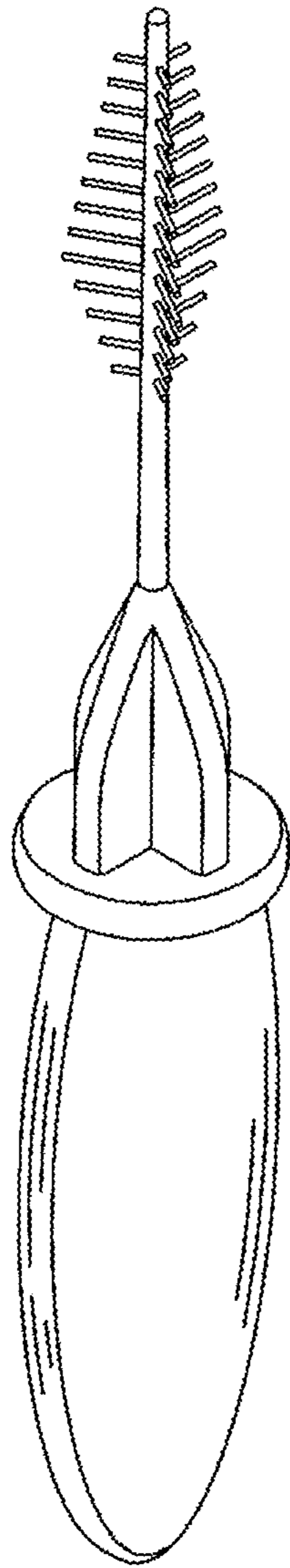


FIG. 1

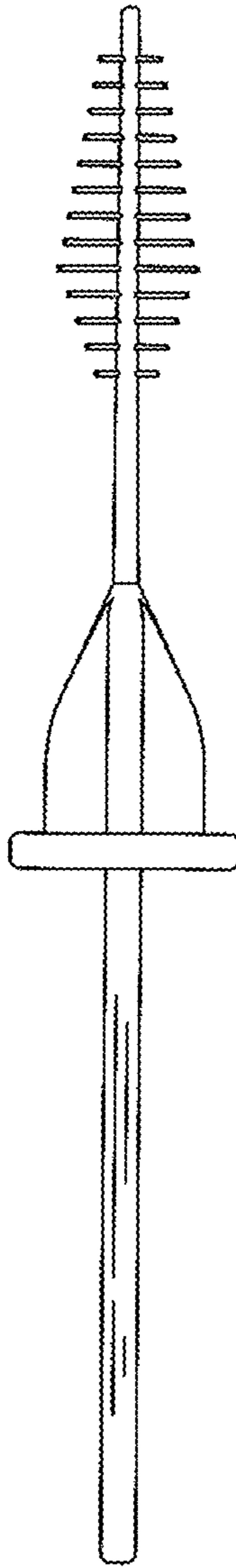


FIG. 2

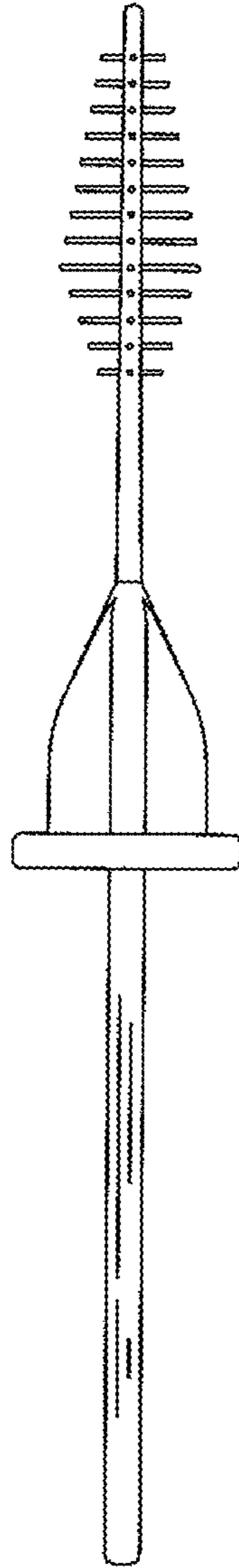


FIG. 3

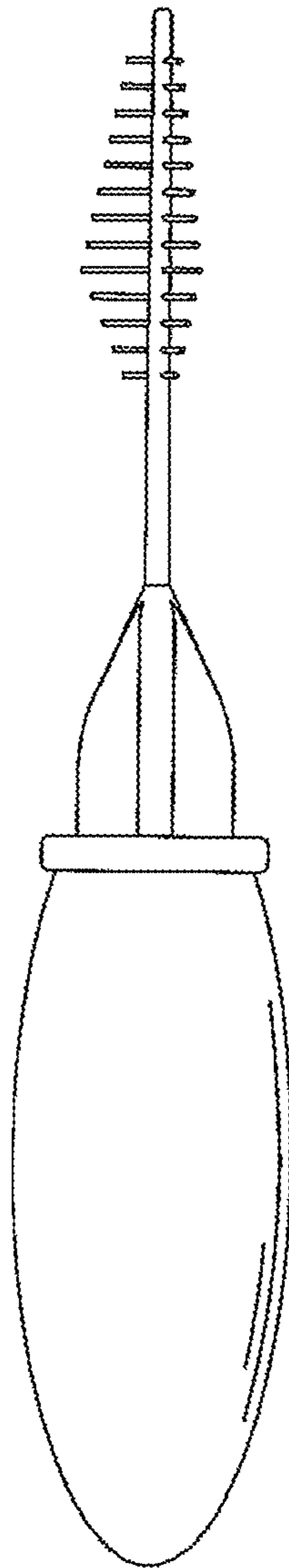


FIG. 4

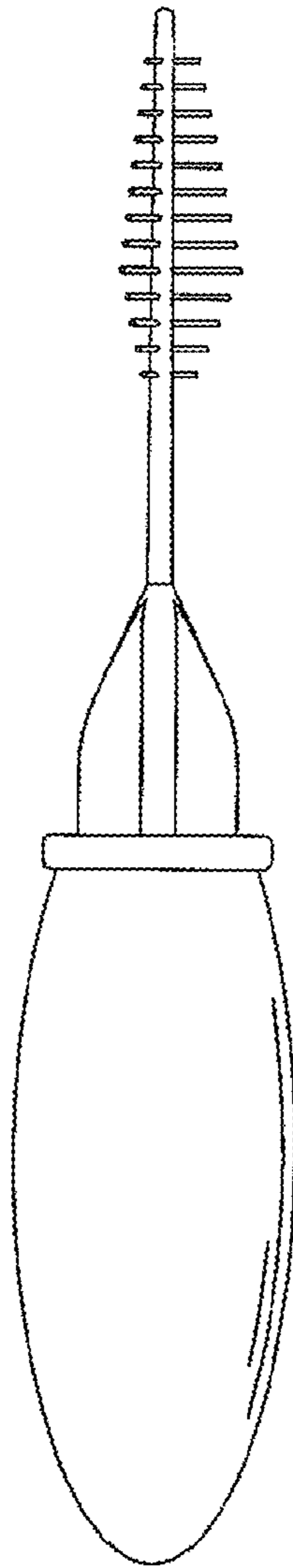


FIG. 5

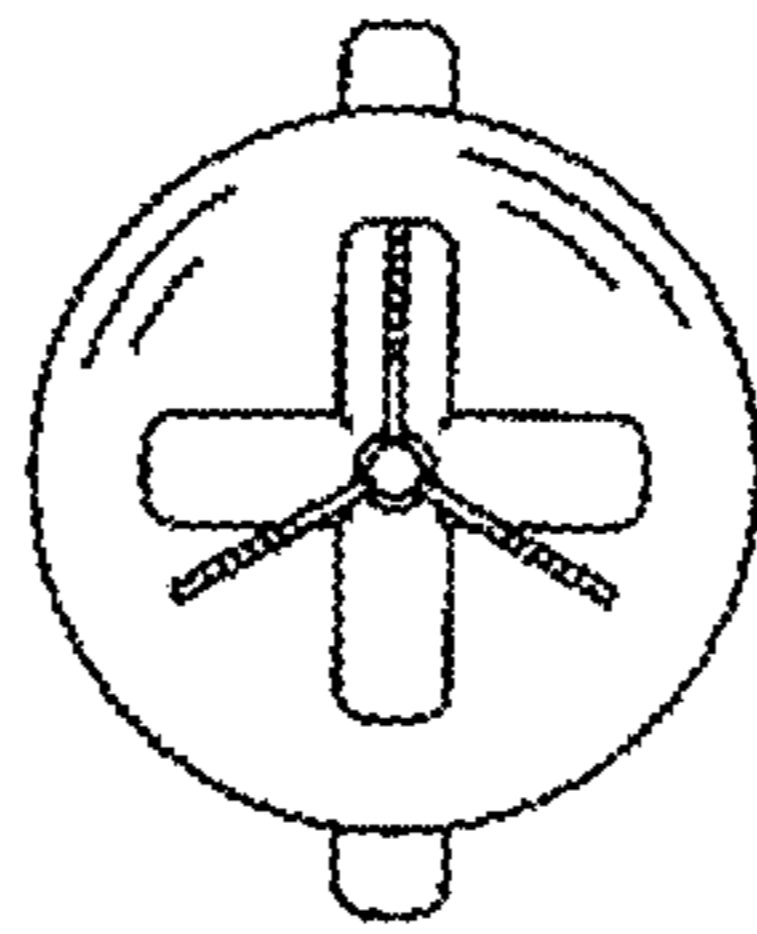


FIG. 6

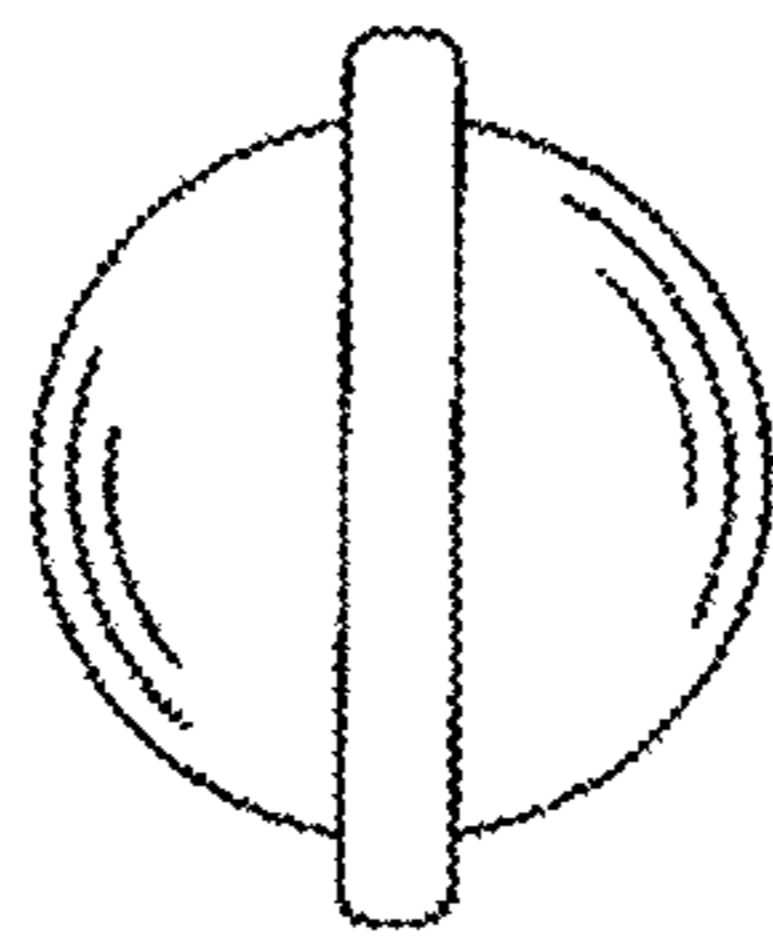


FIG. 7

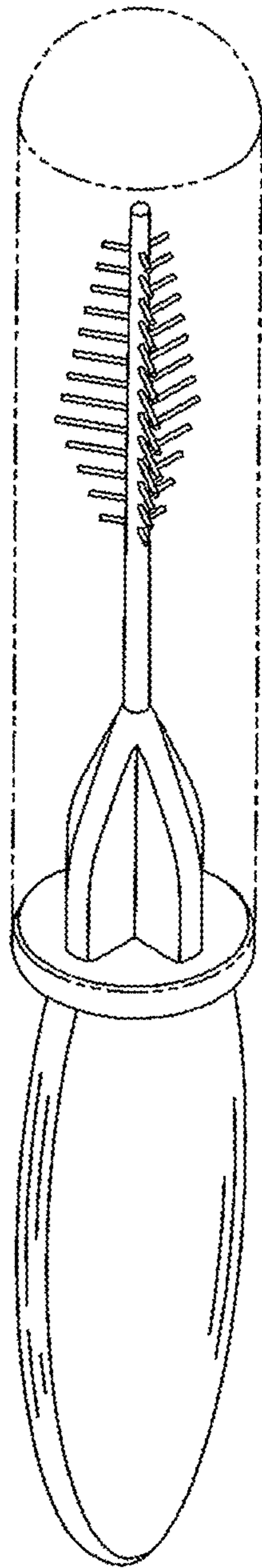


FIG. 8