



US00D756124S

(12) **United States Design Patent**
Nguyen et al.

(10) **Patent No.:** **US D756,124 S**
(45) **Date of Patent:** **** May 17, 2016**

(54) **COMBINED TOOTHBRUSH HANDLE AND COVER**

(71) Applicant: **Children Oral Care, LLC**, Buena Park, CA (US)

(72) Inventors: **Huy Kha Nguyen**, Anaheim, CA (US); **Kari Kimiko Nishimura**, Northridge, CA (US); **Geoff Carroll**, Los Angeles, CA (US); **Gloria Shen**, Huntington Beach, CA (US)

(73) Assignee: **Children Oral Care, LLC**, Buena Park, CA (US)

(**) Term: **14 Years**

(21) Appl. No.: **29/501,239**

(22) Filed: **Sep. 2, 2014**

(51) **LOC (10) Cl.** **04-02**

(52) **U.S. Cl.**
USPC **D4/108**; D4/199

(58) **Field of Classification Search**
USPC D4/100–102, 104–112, 199; D8/80, 82, D8/83, 303; 15/143.1, 145, 159.1, 160, 15/167.1, 167.2; 132/308–311; 601/139, 601/141, 142; 81/57.11, 57.14, 57.31, 81/57.42; D24/133, 152, 215; D21/567, D21/568; D3/205
CPC A46B 15/0055; A46B 15/0075; A46B 5/0095; A46B 5/00
See application file for complete search history.

(56) **References Cited**

U.S. PATENT DOCUMENTS

D352,442 S * 11/1994 Lee-Chang D8/303
D384,817 S * 10/1997 Narubin D4/199
D603,464 S * 11/2009 Roos D21/567
D622,327 S * 8/2010 Roos D8/303
D624,133 S * 9/2010 Kelly D21/567

D626,671 S * 11/2010 Bertken D26/38
D631,725 S * 2/2011 Egan D8/303
D693,934 S * 11/2013 Lin D24/215
D696,923 S * 1/2014 Ichikawa D8/303
D698,219 S * 1/2014 Lee D8/303
D724,235 S * 3/2015 Kuneyl D24/215
D736,054 S * 8/2015 Heva D8/303

OTHER PUBLICATIONS

Gum Toothbrush Star Wars Flash Light, Amazon.com, earliest review published on Sep. 21, 2012, online. Retrieved on Sep. 18, 2015. Internet URL:<“http://www.amazon.com/Toothbrush-Star-Flash-Light-color/dp/B007IL88FS/ref=cm_cr_pr_product_top?ie=UTF8”>.*
Lightsaber BBQ Tongs for the Evil Sith Grillmaster in Your Life, FriendsOfHabanos blog, published on Mar. 3, 2014, online. Retrieved on Sep. 18, 2015. Internet URL:<“http://www.friendsofhabanos.com/forum/index.php?showtopic=113262&page=87”>.*

* cited by examiner

Primary Examiner — Cynthia Ramirez

Assistant Examiner — Llorellys Martinez-Rivera

(74) *Attorney, Agent, or Firm* — Snell & Wilmer LLP

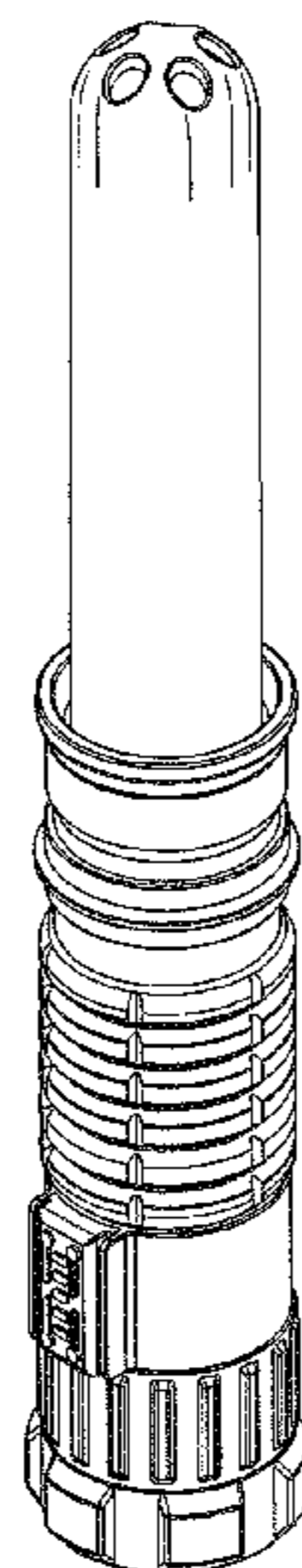
(57) **CLAIM**

The ornamental design for a combined toothbrush handle and cover, as shown and described.

DESCRIPTION

FIG. 1 is a front elevation view of a combined toothbrush handle and cover showing our new design; FIG. 2 is a right side elevation view thereof; FIG. 3 is a left side elevation view thereof; FIG. 4 is a top plan view thereof; FIG. 5 is a bottom plan view thereof; FIG. 6 is a rear elevation view thereof; and, FIG. 7 is a front perspective view thereof. The broken lines shown in FIG. 5 illustrate portions of the combined toothbrush handle and cover which form no part of the claimed design.

1 Claim, 7 Drawing Sheets



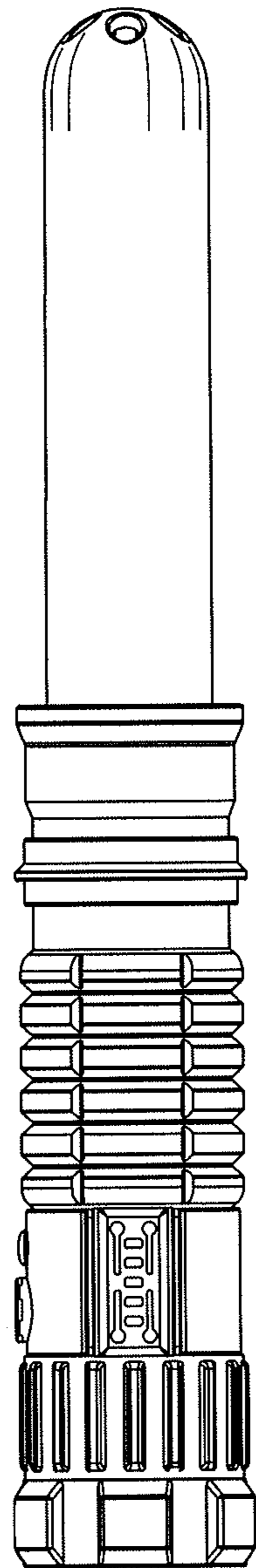


Fig. 1

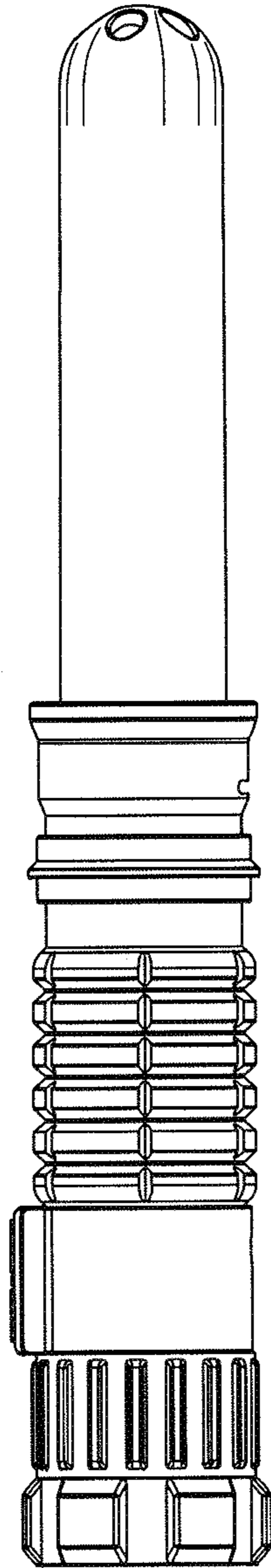


Fig. 2

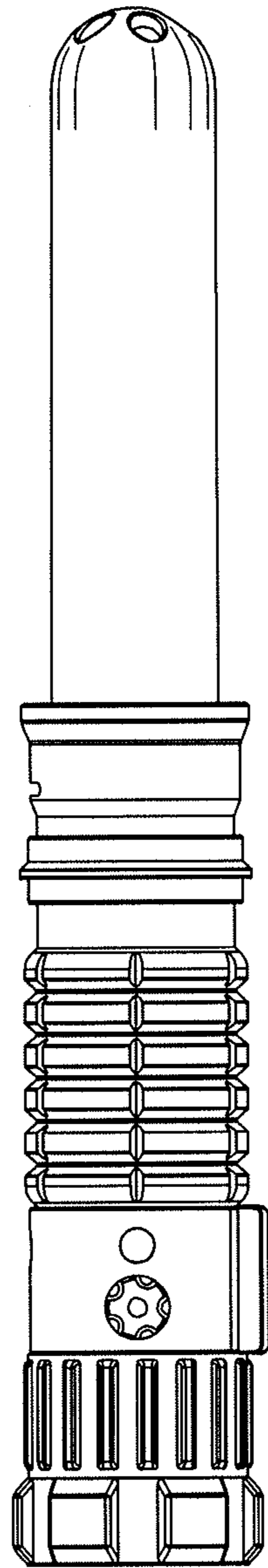


Fig. 3

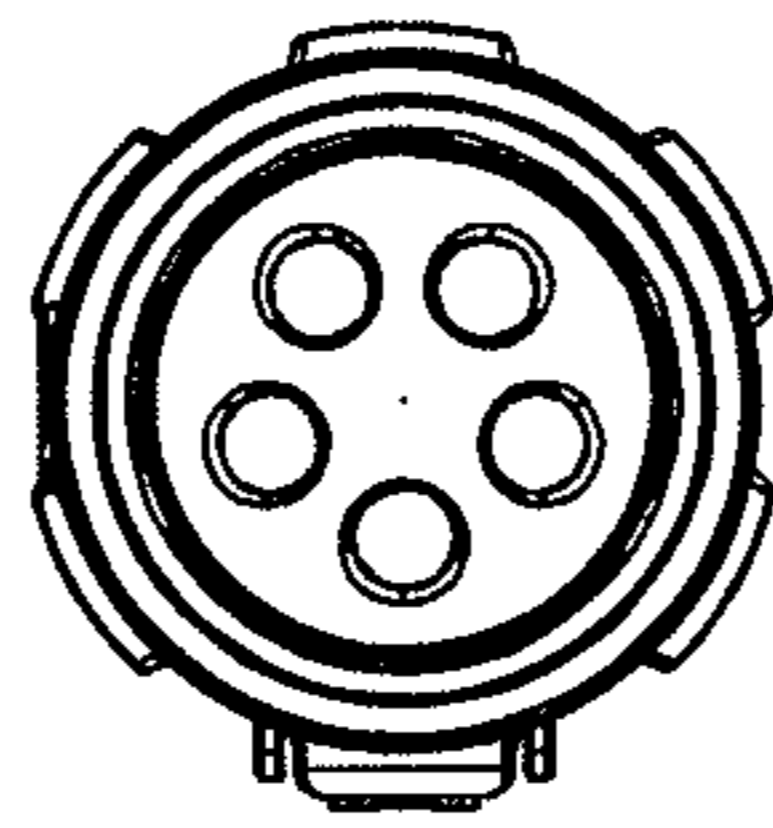


Fig. 4

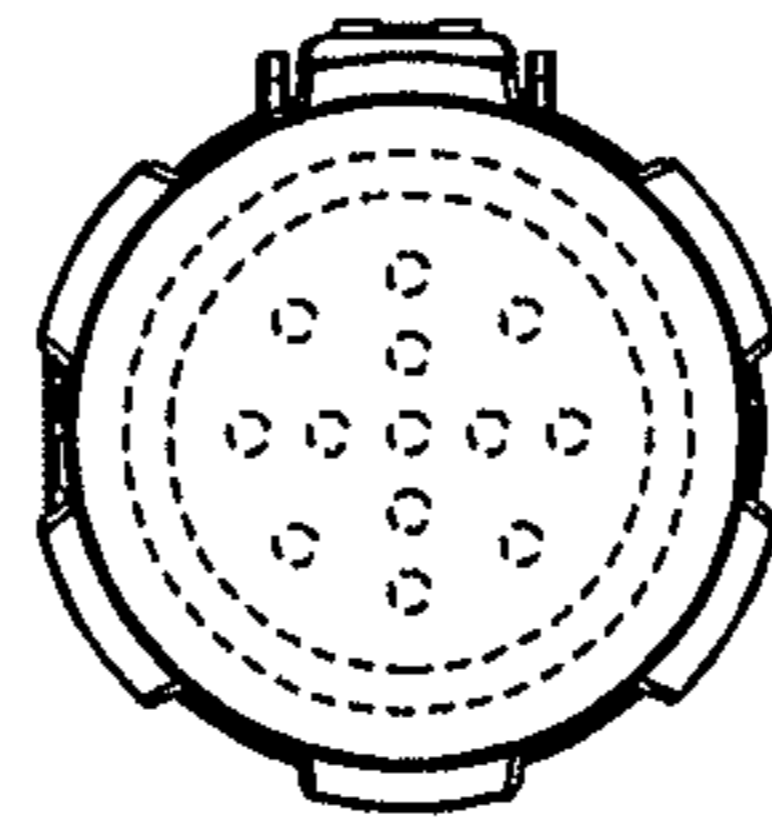


Fig. 5

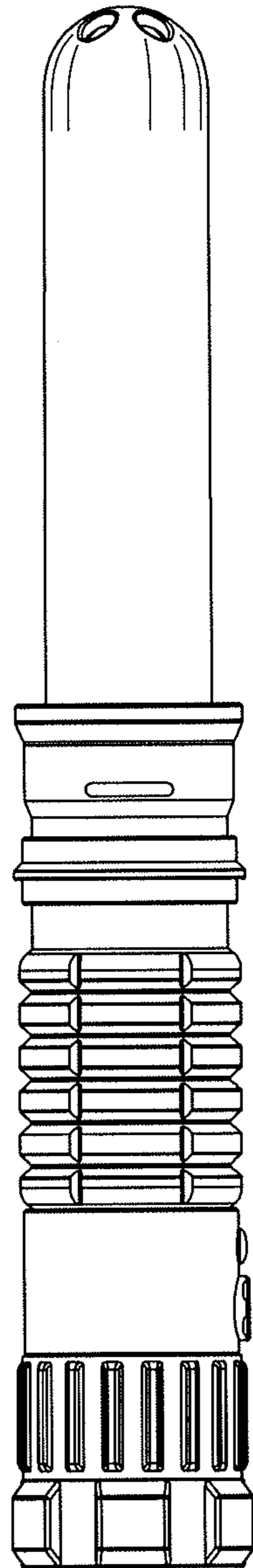


Fig. 6

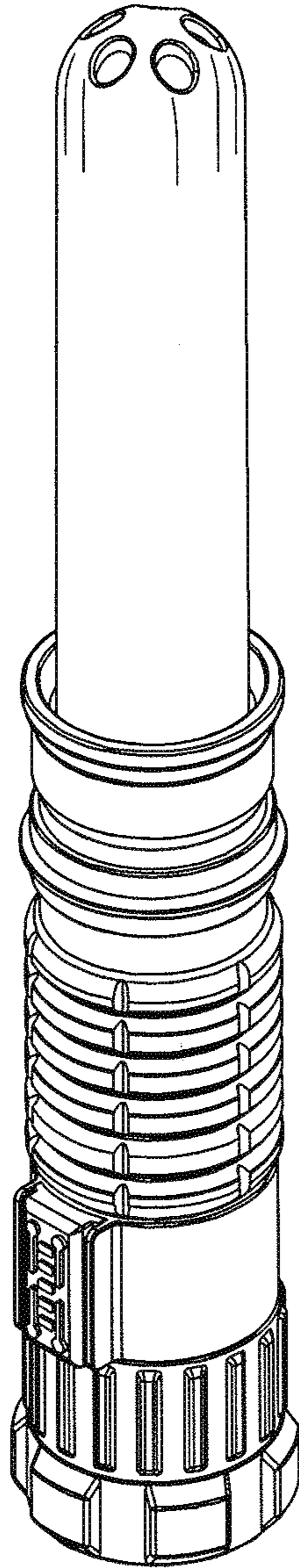


Fig. 7