



US00D756122S

(12) **United States Design Patent**  
**Taylor**

(10) **Patent No.:** **US D756,122 S**  
(45) **Date of Patent:** **\*\* May 17, 2016**

- (54) **ORAL IRRIGATOR TIP**
- (71) Applicant: **Water Pik, Inc.**, Fort Collins, CO (US)
- (72) Inventor: **Kurt M. Taylor**, Fort Collins, CO (US)
- (73) Assignee: **WATER PIK, INC.**, Fort Collins, CO (US)

1,464,419 A	8/1923	Gill
1,498,267 A	6/1924	Hachman
1,650,686 A	11/1927	Binks
1,669,889 A	5/1928	Andrews et al.
1,681,320 A	8/1928	Bergl et al.
1,933,454 A	10/1933	Sidney

(Continued)

- (\*\*) Term: **14 Years**
- (21) Appl. No.: **29/460,652**
- (22) Filed: **Jul. 12, 2013**

**FOREIGN PATENT DOCUMENTS**

CA	851479	9/1970
CH	502817 A	2/1971

(Continued)

**OTHER PUBLICATIONS**

The Right Tool, Electron Fusion Devices, Inc., 2 pages, at least as early as Feb. 1991.

(Continued)

**Related U.S. Application Data**

- (63) Continuation of application No. 12/361,368, filed on Jan. 28, 2009, now abandoned.
- (51) **LOC (10) Cl.** ..... **04-02**
- (52) **U.S. Cl.**  
USPC ..... **D4/108**
- (58) **Field of Classification Search**  
USPC ..... D4/101, 104-112, 114, 115; D24/111, D24/152; 15/167.1, 167.2; 433/80, 82, 433/84-86, 89, 216; 601/162, 163, 165; 401/289  
CPC ..... A46B 9/00; A46B 9/04; A46B 9/045; A46B 2200/1066; A46B 2200/1073; A46B 11/06; A46B 11/063; A61C 17/00; A61C 17/02; A61C 17/0202; A61C 17/0208; A61C 17/0214; A61C 17/0217; A61C 17/028; A61C 17/16; A61C 17/20; A61C 17/22; A61C 17/222  
See application file for complete search history.

*Primary Examiner* — Melanie H Tung  
*Assistant Examiner* — Lavone D Tabor  
 (74) *Attorney, Agent, or Firm* — Dorsey & Whitney LLP

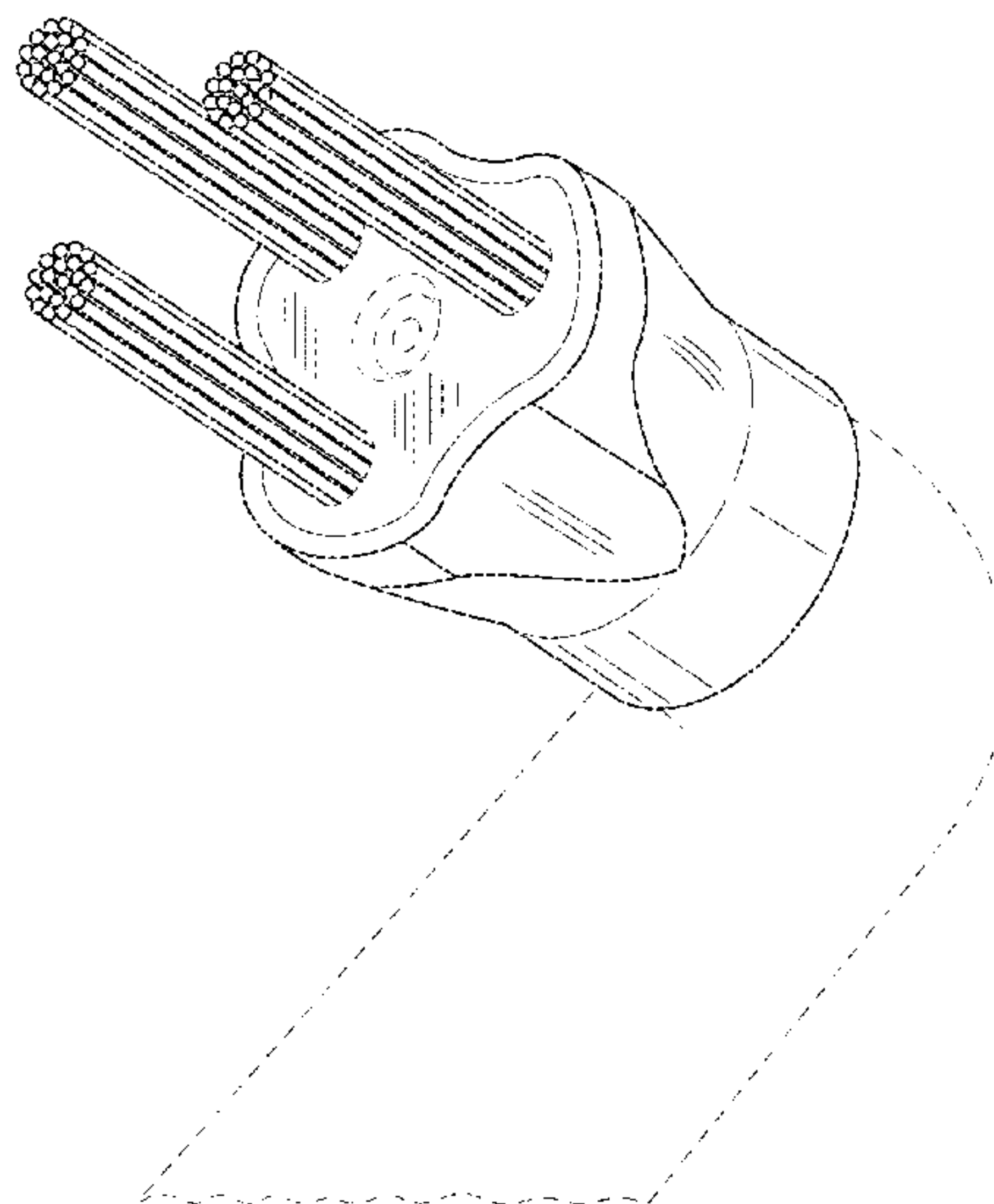
(57) **CLAIM**  
 I claim the ornamental design for an oral irrigator tip, as shown and described.

**DESCRIPTION**

FIG. 1 is a right side elevation view of an oral irrigator tip showing my design, the left side being a mirror image; FIG. 2 is an enlarged top, right isometric view thereof; and, FIG. 3 is an enlarged top plan view thereof.  
 The broken lines adjacent the surface shading on the face of the tip represent the bounds of the claim and form no part thereof while the broken lines showing the central area on the face of the tip and the a shaft illustrate portions of the oral irrigator tip that form no part of the claimed design.

- (56) **References Cited**  
**U.S. PATENT DOCUMENTS**  
 555,588 A 3/1896 Spencer  
 1,278,225 A 9/1918 Schamberg

**1 Claim, 3 Drawing Sheets**



(56)

References Cited

U.S. PATENT DOCUMENTS

2,107,686 A	2/1938	Bramsen et al.	4,075,761 A	2/1978	Behne et al.
2,230,238 A	2/1941	Duberstein et al.	4,078,558 A	3/1978	Woog et al.
2,417,759 A	3/1947	Johnson	4,108,167 A	8/1978	Hickman et al.
2,669,233 A	2/1954	Friend	4,108,178 A	8/1978	Betush
2,783,919 A	3/1957	Ansell	4,109,650 A	8/1978	Peclard
2,794,437 A	6/1957	Tash	4,122,845 A	10/1978	Stouffer et al.
2,870,932 A	1/1959	Davis	4,135,501 A	1/1979	Leunissan
2,984,452 A	5/1961	Hooper	4,141,352 A	2/1979	Ebner et al.
3,089,490 A	5/1963	Goldberg	4,144,646 A	3/1979	Takemoto et al.
3,096,913 A	7/1963	Corley	4,149,315 A	4/1979	Page, Jr. et al.
3,144,867 A	8/1964	Trupp et al.	4,154,375 A	5/1979	Bippus
3,209,956 A	10/1965	McKenzie	4,160,383 A	7/1979	Rauschenberger
3,216,619 A	11/1965	Richards et al.	4,182,038 A	1/1980	Fleer
3,225,759 A	12/1965	Drapen et al.	4,201,200 A	5/1980	Hubner
3,227,158 A	1/1966	Mattingly	4,215,476 A	8/1980	Armstrong
3,266,623 A	8/1966	Poferl	4,219,618 A	8/1980	Leonard
3,297,558 A	1/1967	Hillquist	4,227,878 A	10/1980	Lohn
D208,778 S	10/1967	Koch	4,229,634 A	10/1980	Hickman et al.
D209,204 S	11/1967	St. Clair et al.	4,236,889 A	12/1980	Wright
D209,395 S	11/1967	Gilbert	4,248,589 A	2/1981	Lewis
3,370,214 A	2/1968	Aymar	4,249,899 A	2/1981	Davis
3,391,696 A	7/1968	Woodward	4,257,458 A	3/1981	Kondo et al.
3,400,999 A	9/1968	Goldstein	4,262,799 A	4/1981	Perrett
3,418,552 A	12/1968	Holmes	4,266,934 A	5/1981	Pernot
3,420,228 A	1/1969	Kalbfeld	4,276,023 A	6/1981	Phillips et al.
3,425,410 A	2/1969	Cammack	4,276,880 A	7/1981	Malmin
3,453,969 A	7/1969	Mattingly	4,302,186 A	11/1981	Cammack et al.
3,465,751 A	9/1969	Powers	4,303,064 A	12/1981	Buffa
3,487,828 A	1/1970	Troy	4,303,070 A	12/1981	Ichikawa et al.
3,489,268 A	1/1970	Meierhoefer	4,315,741 A	2/1982	Reichl
3,496,933 A	2/1970	Lloyd	4,319,568 A	3/1982	Tregoning
3,499,440 A	3/1970	Gibbs	4,331,422 A	5/1982	Heyman
3,500,824 A	3/1970	Gilbert	4,337,040 A	6/1982	Cammack et al.
3,501,203 A	3/1970	Falk	4,340,365 A	7/1982	Pisanu
3,502,072 A	3/1970	Stillman	4,340,368 A	7/1982	Lococo
3,517,669 A	6/1970	Buono et al.	D266,117 S	9/1982	Oberheim
D218,270 S	8/1970	Soper	4,353,694 A	10/1982	Pelerin
3,522,801 A	8/1970	Robinson	4,363,626 A	12/1982	Schmidt et al.
3,532,221 A	10/1970	Kaluhiokalani et al.	4,365,376 A	12/1982	Oda et al.
3,536,065 A	10/1970	Moret	4,370,131 A	1/1983	Banko
3,537,444 A	11/1970	Garn	4,374,354 A	2/1983	Petrovic et al.
3,538,950 A	11/1970	Porteners	4,382,167 A	5/1983	Maruyama et al.
3,547,110 A	12/1970	Balamuth	4,382,786 A	5/1983	Lohn
3,561,433 A	2/1971	Kovach	D270,000 S	8/1983	Ketler
3,572,375 A	3/1971	Rosenberg	4,412,823 A	11/1983	Sakai et al.
3,578,884 A	5/1971	Jacobson	4,442,830 A	4/1984	Markau
3,583,609 A	6/1971	Oppenheimer	4,442,831 A	4/1984	Trenary
3,590,813 A	7/1971	Roszyk	4,452,238 A	6/1984	Kerr
3,608,548 A	9/1971	Lewis	4,454,866 A	6/1984	Fayen
3,636,947 A	1/1972	Balamuth	4,512,769 A	4/1985	Kozam et al.
3,651,576 A	3/1972	Massa	4,517,962 A	5/1985	Heckele
3,669,101 A	6/1972	Kleiner	4,531,912 A	7/1985	Schuss et al.
3,703,170 A	11/1972	Ryckman, Jr.	4,531,913 A	7/1985	Taguchi
3,747,595 A	7/1973	Grossan	4,534,340 A	8/1985	Kerr et al.
3,768,472 A	10/1973	Hodosh et al.	4,552,130 A	11/1985	Kinoshita
3,783,364 A	1/1974	Gallanis et al.	4,561,214 A *	12/1985	Inoue ..... 451/1
3,809,977 A	5/1974	Balamuth et al.	D283,374 S	4/1986	Cheuk-Yiu
3,811,432 A	5/1974	Moret	4,585,415 A	4/1986	Hommann
3,820,532 A	6/1974	Eberhardt et al.	4,591,777 A	5/1986	McCarty et al.
3,827,147 A	8/1974	Condon	4,592,728 A	6/1986	Davis
3,840,795 A	10/1974	Roszyk et al.	4,602,906 A	7/1986	Grunenfelder
3,847,145 A	11/1974	Grossan	4,607,627 A	8/1986	Leber et al.
3,854,209 A	12/1974	Franklin et al.	4,613,074 A	9/1986	Schulze
3,874,506 A	4/1975	Hill et al.	4,619,612 A	10/1986	Weber et al.
3,881,868 A	5/1975	Duke	4,629,425 A	12/1986	Detsch
3,898,739 A	8/1975	Gayso	4,636,198 A	1/1987	Stade
3,912,125 A	10/1975	Acklin	4,642,037 A	2/1987	Fritchman
3,943,628 A	3/1976	Kronman et al.	4,644,937 A	2/1987	Hommann
3,973,558 A	8/1976	Stouffer et al.	4,645,488 A	2/1987	Matukas
4,001,526 A	1/1977	Olson	4,647,831 A	3/1987	O'Malley et al.
4,004,302 A	1/1977	Hori	4,648,838 A	3/1987	Schlachter
4,007,739 A	2/1977	Bron et al.	4,650,475 A	3/1987	Smith et al.
4,052,002 A	10/1977	Stouffer et al.	4,655,198 A	4/1987	Hommann
D246,667 S	12/1977	Mackay et al.	4,669,453 A	6/1987	Atkinson et al.
4,060,870 A	12/1977	Cannarella	4,672,953 A	6/1987	DiVito
			4,673,396 A	6/1987	Urbaniak
			D291,354 S	8/1987	Camens
			4,716,352 A	12/1987	Hurn et al.
			4,749,340 A	6/1988	Ikeda et al.



(56)

References Cited

U.S. PATENT DOCUMENTS

4,770,632 A	9/1988	Ryder et al.	5,203,697 A	4/1993	Malmin
4,783,321 A	11/1988	Spence	5,203,769 A	4/1993	Clement et al.
4,787,845 A	11/1988	Valentine	5,204,004 A	4/1993	Johnston et al.
4,787,847 A	11/1988	Martin et al.	5,208,933 A	5/1993	Lustig et al.
4,798,292 A	1/1989	Hauze	5,215,193 A	6/1993	Dennis
4,803,974 A	2/1989	Powell	5,218,956 A	6/1993	Handler et al.
4,804,364 A	2/1989	Dieras et al.	5,220,914 A	6/1993	Thompson
4,818,229 A	4/1989	Vasile	5,228,646 A	7/1993	Raines
4,820,152 A	4/1989	Warrin et al.	5,230,624 A	7/1993	Wolf et al.
4,821,923 A	4/1989	Skorka	5,232,687 A	8/1993	Geimer
4,824,368 A	4/1989	Hickman	5,235,968 A	8/1993	Woog
4,826,431 A	5/1989	Fujimura et al.	5,241,714 A	9/1993	Barry
4,832,683 A	5/1989	Idemoto et al.	5,246,367 A	9/1993	Ito et al.
4,854,869 A	8/1989	Lawhorn	5,252,064 A	10/1993	Baum et al.
4,861,340 A	8/1989	Smith et al.	D341,200 S	11/1993	Yoshimoto
4,862,876 A	9/1989	Lih-Sheng	5,257,933 A	11/1993	Jousson
4,869,720 A	9/1989	Chernack	5,261,448 A	11/1993	Furuya et al.
4,880,382 A	11/1989	Moret et al.	D341,943 S	12/1993	Si-Hoe
4,886,452 A	12/1989	Lohn	5,267,586 A	12/1993	Jankavaara
4,900,252 A	2/1990	Liefke et al.	5,269,684 A	12/1993	Fischer
4,902,225 A	2/1990	Lohn	5,281,137 A	1/1994	Jousson
4,903,687 A	2/1990	Lih-Sheng	5,281,139 A	1/1994	Frank et al.
4,906,187 A	3/1990	Amadera	5,282,745 A	2/1994	Wiltrout et al.
4,907,744 A	3/1990	Jousson	5,286,192 A	2/1994	Dixon
4,925,450 A	5/1990	Imonti et al.	5,286,201 A	2/1994	Yu
4,928,675 A	5/1990	Thornton	5,297,962 A	3/1994	O'Connor et al.
4,930,660 A	6/1990	Porteous	D346,212 S	4/1994	Hosl
4,941,459 A	7/1990	Mathur	5,302,123 A	4/1994	Bechard
4,950,159 A	8/1990	Hansen	5,317,691 A	5/1994	Traeger
4,958,629 A	9/1990	Peace et al.	5,321,865 A	6/1994	Kaesar
4,958,751 A	9/1990	Curtis et al.	5,331,704 A	7/1994	Rosen et al.
4,959,199 A	9/1990	Brewer	5,344,317 A	9/1994	Pacher et al.
4,961,698 A	10/1990	Vlock	5,346,677 A	9/1994	Risk
4,966,551 A	10/1990	Betush	D351,892 S	10/1994	Wolf et al.
4,969,874 A	11/1990	Michel et al.	5,360,338 A	11/1994	Waggoner
4,973,247 A	11/1990	Varnes et al.	5,368,548 A	11/1994	Jousson
4,973,250 A	11/1990	Milman	5,370,534 A	12/1994	Wolf et al.
4,975,054 A	12/1990	Esrock	D354,168 S	1/1995	Hartwein
4,979,503 A	12/1990	Chernack	5,378,149 A	1/1995	Stropko
4,979,504 A	12/1990	Mills	5,380,201 A	1/1995	Kawata
4,989,590 A	2/1991	Baum et al.	D356,864 S	3/1995	Woog
4,998,880 A	3/1991	Nerli	5,399,089 A	3/1995	Eichman et al.
5,013,241 A	5/1991	Von Gutfeld et al.	D358,883 S	5/1995	Vos
5,014,884 A	5/1991	Wunsch	5,456,672 A	10/1995	Diederich et al.
5,019,054 A	5/1991	Clement et al.	5,465,445 A	11/1995	Yeh
5,027,798 A	7/1991	Primiano	5,467,495 A *	11/1995	Boland et al. .... 15/28
5,029,576 A	7/1991	Evans, Sr.	5,468,148 A	11/1995	Ricks
5,033,617 A	7/1991	Hartwein et al.	5,470,305 A	11/1995	Arnett et al.
5,033,961 A	7/1991	Kandler et al.	5,474,450 A	12/1995	Chronister
D318,918 S	8/1991	Hartwein	5,474,451 A	12/1995	Dalrymple et al.
5,046,486 A	9/1991	Grulke et al.	5,476,379 A	12/1995	Disel
5,049,071 A	9/1991	Davis et al.	5,484,281 A	1/1996	Renow et al.
5,060,825 A	10/1991	Palmer et al.	5,487,877 A	1/1996	Choi
5,062,795 A	11/1991	Woog	5,490,779 A	2/1996	Malmin
5,064,168 A	11/1991	Raines et al.	5,505,916 A	4/1996	Berry, Jr.
D322,314 S	12/1991	Ohbayashi	D369,656 S	5/1996	Vos
5,071,346 A	12/1991	Domaas	5,525,058 A	6/1996	Gallant et al.
5,082,115 A	1/1992	Hutcheson	5,526,841 A	6/1996	Detsch et al.
5,082,443 A	1/1992	Lohn	5,540,587 A	7/1996	Malmin
5,085,317 A	2/1992	Jensen et al.	5,547,374 A	8/1996	Coleman
5,086,756 A	2/1992	Powell	D373,631 S	9/1996	Maeda et al.
5,095,893 A	3/1992	Rawden, Jr.	5,554,025 A	9/1996	Kinsel
5,098,291 A	3/1992	Curtis et al.	5,556,001 A	9/1996	Weissman et al.
5,098,676 A	3/1992	Brooks, Jr.	5,564,629 A	10/1996	Weissman et al.
5,117,871 A	6/1992	Gardner et al.	D377,091 S	12/1996	Scott, Sr.
5,125,835 A	6/1992	Young	5,616,028 A	4/1997	Hafele et al.
5,127,831 A	7/1992	Bab	5,622,501 A	4/1997	Levy
5,142,723 A	9/1992	Lustig et al.	5,634,791 A	6/1997	Matsuura et al.
5,150,841 A	9/1992	Silvenis et al.	5,636,987 A	6/1997	Serfaty
5,172,810 A	12/1992	Brewer	5,640,735 A	6/1997	Manning
5,173,273 A	12/1992	Brewer	5,653,591 A	8/1997	Loge
5,183,035 A	2/1993	Weir	5,659,995 A	8/1997	Hoffman
5,197,458 A	3/1993	Ito et al.	5,667,483 A	9/1997	Santos
5,197,460 A	3/1993	Ito et al.	D386,576 S	11/1997	Wang et al.
5,199,871 A	4/1993	Young	5,683,192 A	11/1997	Kilfoil
			5,685,829 A	11/1997	Allen
			5,685,851 A	11/1997	Murphy et al.
			5,697,784 A	12/1997	Hafele et al.
			5,709,545 A	1/1998	Johnston et al.



(56)

References Cited

U.S. PATENT DOCUMENTS

5,716,007 A	2/1998	Nottingham et al.	D489,183 S	5/2004	Akahori et al.
5,718,668 A	2/1998	Arnett et al.	6,739,782 B1	5/2004	Rehkemper et al.
5,746,595 A	5/1998	Ford	6,740,053 B2	5/2004	Kaplowitz
5,749,726 A	5/1998	Kinsel	D490,899 S	6/2004	Gagnon
5,759,502 A	6/1998	Spencer et al.	D491,728 S	6/2004	Jimenez
5,779,654 A	7/1998	Foley et al.	D492,996 S	7/2004	Rehkemper et al.
5,795,153 A	8/1998	Rechmann	6,761,324 B2	7/2004	Chang
5,796,325 A	8/1998	Lundell et al.	6,766,549 B2	7/2004	Klupt
5,833,065 A	11/1998	Burgess	D495,142 S	8/2004	Berde
5,836,030 A	11/1998	Hazeu et al.	D495,143 S	8/2004	Berde
D402,744 S	12/1998	Zuege	6,779,216 B2	8/2004	Davies et al.
5,851,079 A	12/1998	Horstman et al.	6,783,004 B1	8/2004	Rinner
D403,511 S	1/1999	Serbinski	6,783,505 B1	8/2004	Lai
D406,334 S	3/1999	Rosenthal et al.	6,796,796 B2	9/2004	Segal
5,876,201 A	3/1999	Wilson et al.	D498,643 S	11/2004	Pryor, Jr. et al.
D408,511 S	4/1999	Allen et al.	6,814,259 B1	11/2004	Foster et al.
5,901,397 A	5/1999	Häfele et al.	D499,885 S	12/2004	Xi
5,934,902 A	8/1999	Abahusayn	6,835,181 B2	12/2004	Hippensteel
D413,975 S	9/1999	Maeda	D500,599 S	1/2005	Callaghan
D417,082 S	11/1999	Classen et al.	6,837,708 B2	1/2005	Chen et al.
5,993,402 A	11/1999	Sauer et al.	6,884,069 B2	4/2005	Goldman
6,030,215 A	2/2000	Ellion et al.	6,902,337 B1	6/2005	Kuo
6,038,960 A	3/2000	Fukushima et al.	6,907,879 B2	6/2005	Drinan et al.
6,039,180 A	3/2000	Grant	D509,585 S	9/2005	Kling et al.
D425,615 S	5/2000	Bachman et al.	D513,638 S	1/2006	Pan
D425,981 S	5/2000	Bachman et al.	D522,652 S	6/2006	Massey
6,056,710 A	5/2000	Bachman et al.	7,080,980 B2	7/2006	Klupt
D426,633 S	6/2000	Bachman et al.	D529,661 S	10/2006	Schmidt
6,089,865 A	7/2000	Edgar	D530,010 S	10/2006	Luetzgen et al.
6,116,866 A	9/2000	Tomita et al.	7,117,555 B2	10/2006	Fattori et al.
6,124,699 A	9/2000	Suzuki et al.	D533,720 S	12/2006	Vu
D434,500 S	11/2000	Pollock et al.	7,147,468 B2	12/2006	Snyder et al.
6,159,006 A	12/2000	Cook et al.	D538,474 S	3/2007	Sheppard et al.
6,164,967 A	12/2000	Sale et al.	D548,334 S	8/2007	Izumi
D435,905 S	1/2001	Bachman et al.	D550,097 S	9/2007	Lepoitevin
6,193,512 B1	2/2001	Wallace	7,276,035 B2	10/2007	Lu
6,193,932 B1	2/2001	Wu et al.	7,314,456 B2	1/2008	Shaw
6,199,239 B1	3/2001	Dickerson	D565,175 S	3/2008	Boyd et al.
D439,781 S	4/2001	Spore	7,344,510 B1	3/2008	Yande
6,217,835 B1	4/2001	Riley et al.	D565,713 S	4/2008	Gao
D441,861 S	5/2001	Hafliger	7,367,803 B2	5/2008	Egeresi
6,233,773 B1	5/2001	Karge et al.	D574,952 S	8/2008	Boyd et al.
6,234,205 B1	5/2001	D'Amelio et al.	D577,198 S	9/2008	Jimenez
6,237,178 B1	5/2001	Krammer et al.	D577,814 S	9/2008	Seki et al.
6,247,929 B1	6/2001	Bachman et al.	D581,279 S	11/2008	Oates
D448,236 S	9/2001	Murray	7,455,521 B2	11/2008	Fishburne, Jr.
6,293,792 B1	9/2001	Hanson	7,469,440 B2	12/2008	Boland et al.
D449,884 S	10/2001	Tobin et al.	7,500,584 B2	3/2009	Schutz
6,343,174 B1	1/2002	Neuberger	D590,492 S	4/2009	Powell
D453,453 S	2/2002	Lun	D595,136 S	6/2009	Canamasas Puigbo
6,363,565 B1	4/2002	Paffrath	D601,697 S	10/2009	Sobiech et al.
D464,799 S *	10/2002	Crossman et al. .... D4/104	7,670,141 B2	3/2010	Thomas et al.
6,468,482 B1	10/2002	Frieze et al.	7,677,888 B1	3/2010	Halm
6,475,173 B1	11/2002	Bachman et al.	7,814,585 B1	10/2010	Reich
6,485,451 B1	11/2002	Roberts et al.	7,862,536 B2	1/2011	Chen et al.
6,497,375 B1	12/2002	Srinath et al.	7,878,403 B2	2/2011	Hennick et al.
6,497,572 B2	12/2002	Hood et al.	7,959,597 B2	6/2011	Baker et al.
6,502,584 B1	1/2003	Fordham	8,113,832 B2	2/2012	Snyder et al.
D470,660 S	2/2003	Schaber	8,256,979 B2	9/2012	Hilscher et al.
6,558,344 B2	5/2003	McKinnon et al.	8,366,024 B2	2/2013	Leber
6,561,808 B2	5/2003	Neuberger	8,403,577 B2 *	3/2013	Khoshnevis ..... 401/35
D475,346 S	6/2003	McCurrach et al.	8,403,665 B2	3/2013	Thomas et al.
6,589,477 B1	7/2003	Frieze et al.	8,408,483 B2	4/2013	Boyd et al.
6,602,071 B1	8/2003	Ellion et al.	2002/0090252 A1	7/2002	Hall et al.
6,632,091 B1	10/2003	Cise et al.	2002/0119415 A1	8/2002	Bailey
D482,451 S	11/2003	Page et al.	2003/0098249 A1	5/2003	Rollock
6,640,999 B2	11/2003	Peterson	2003/0204155 A1	10/2003	Egeresi
6,647,577 B2	11/2003	Tam	2003/0213075 A1	11/2003	Hui et al.
6,659,674 B2	12/2003	Carlucci et al.	2004/0045107 A1	3/2004	Egeresi
6,663,386 B1	12/2003	Moelsgaard	2004/0076921 A1	4/2004	Gofman et al.
6,669,059 B2	12/2003	Mehta	2004/0122377 A1	6/2004	Fischer et al.
D486,573 S	2/2004	Callaghan et al.	2005/0049620 A1	3/2005	Chang
6,689,078 B1	2/2004	Rehkemper et al.	2005/0101894 A1	5/2005	Hippensteel
6,699,208 B2	3/2004	Bachman et al.	2005/0271531 A1	12/2005	Brown et al.
6,719,561 B2	4/2004	Gugel et al.	2006/0008373 A1	1/2006	Schutz
			2006/0021165 A1	2/2006	Boland et al.
			2006/0026784 A1	2/2006	Moskovich et al.
			2006/0057539 A1	3/2006	Sodo
			2006/0078844 A1	4/2006	Goldman et al.

(56)

References Cited

U.S. PATENT DOCUMENTS

2006/0079818	A1	4/2006	Yande
2007/0082316	A1	4/2007	Zhadanov et al.
2007/0113360	A1	5/2007	Tsai
2007/0202459	A1	8/2007	Boyd et al.
2007/0203439	A1	8/2007	Boyd et al.
2007/0254260	A1	11/2007	Alden, IV et al.
2008/0008979	A1	1/2008	Thomas et al.
2009/0070949	A1	3/2009	Sagel et al.
2009/0082706	A1	3/2009	Shaw
2009/0124945	A1	5/2009	Reich et al.
2009/0163839	A1	6/2009	Alexander
2009/0281454	A1	11/2009	Baker et al.
2010/0015566	A1	1/2010	Shaw
2010/0190132	A1	7/2010	Taylor et al.
2010/0261134	A1	10/2010	Boyd et al.
2010/0261137	A1	10/2010	Boyd et al.
2010/0326536	A1	12/2010	Nan
2010/0330527	A1	12/2010	Boyd et al.
2011/0076090	A1	3/2011	Wu et al.
2011/0097683	A1	4/2011	Boyd et al.
2011/0184341	A1	7/2011	Baker et al.
2012/0064480	A1	3/2012	Hegemann
2012/0141952	A1	6/2012	Snyder et al.
2012/0295220	A1	11/2012	Thomas et al.
2014/0193774	A1	7/2014	Snyder et al.

FOREIGN PATENT DOCUMENTS

CH	655237	4/1986
DE	1466963	5/1969
DE	2409752	9/1975
DE	2545936	4/1977
DE	2910982	10/1980
EP	0023672	11/1981
EP	0515983	A1 12/1992
FR	2556954	6/1985
FR	2654627	5/1991
GB	1182031	2/1970

GB	2018605	10/1979
JP	2-134150	5/1990
JP	2009-39455	2/2009
WO	WO95/16404	6/1995
WO	01/10327	A1 2/2001
WO	WO 2004/021958	3/2004
WO	WO 2004/039205	5/2004
WO	2004060259	A2 7/2004
WO	2008157585	A1 12/2008
WO	2013124691	A1 8/2013

OTHER PUBLICATIONS

Japanese Packaging for Oral Irrigator, 2 pages, at least as early as Dec. 2002.

Japanese Instruction Brochure for Oral Irrigator, 20 pages, at least as early as Dec. 2002.

Brochure: Woog International, "You have a 98% chance of getting gum disease. Unless you read this.", Lancaster, Pennsylvania, 5 pages, Feb. 1987, Home Dental Care Products.

Brochure: Woog International, "We put the control of home dental care back into the hands of the professional", Lancaster, Pennsylvania, 2 pages, Feb. 1987, (Text only).

Brochure: Woog International, "Products at a Glance: Home Dental Care System" Woog Orajet, 3 pages, at least as early as Dec. 18, 1998.

Website: [http://www.just4teeth.com/product/Panasonic/Panasonic\\_Portable\\_Irrigator.htm](http://www.just4teeth.com/product/Panasonic/Panasonic_Portable_Irrigator.htm), 2 pages, at least as early as Jun. 20, 2003, Panasonic Portable Oral Irrigator.

Website: [http://www.videodirectstore.com/store/merchant.mv?Screen=PROD&Product\\_Code=EW1](http://www.videodirectstore.com/store/merchant.mv?Screen=PROD&Product_Code=EW1), 2 pages, at least as early as Jun. 20, 2003, Panasonic EW1270AC Oral Irrigator.

Website: <http://products.consumerguide.com/cp/family/review/index.cfm/id/18742>, 2 pages, at least as early as Jun. 20, 2003, Panasonic Portable Oral Irrigator, EW176.

European Search Report, EPO Application No. 07250799.9, Jul. 5, 2007.

European Search Report, EPO Application No. 07252693.2, 14 pages, Apr. 28, 2008.

\* cited by examiner

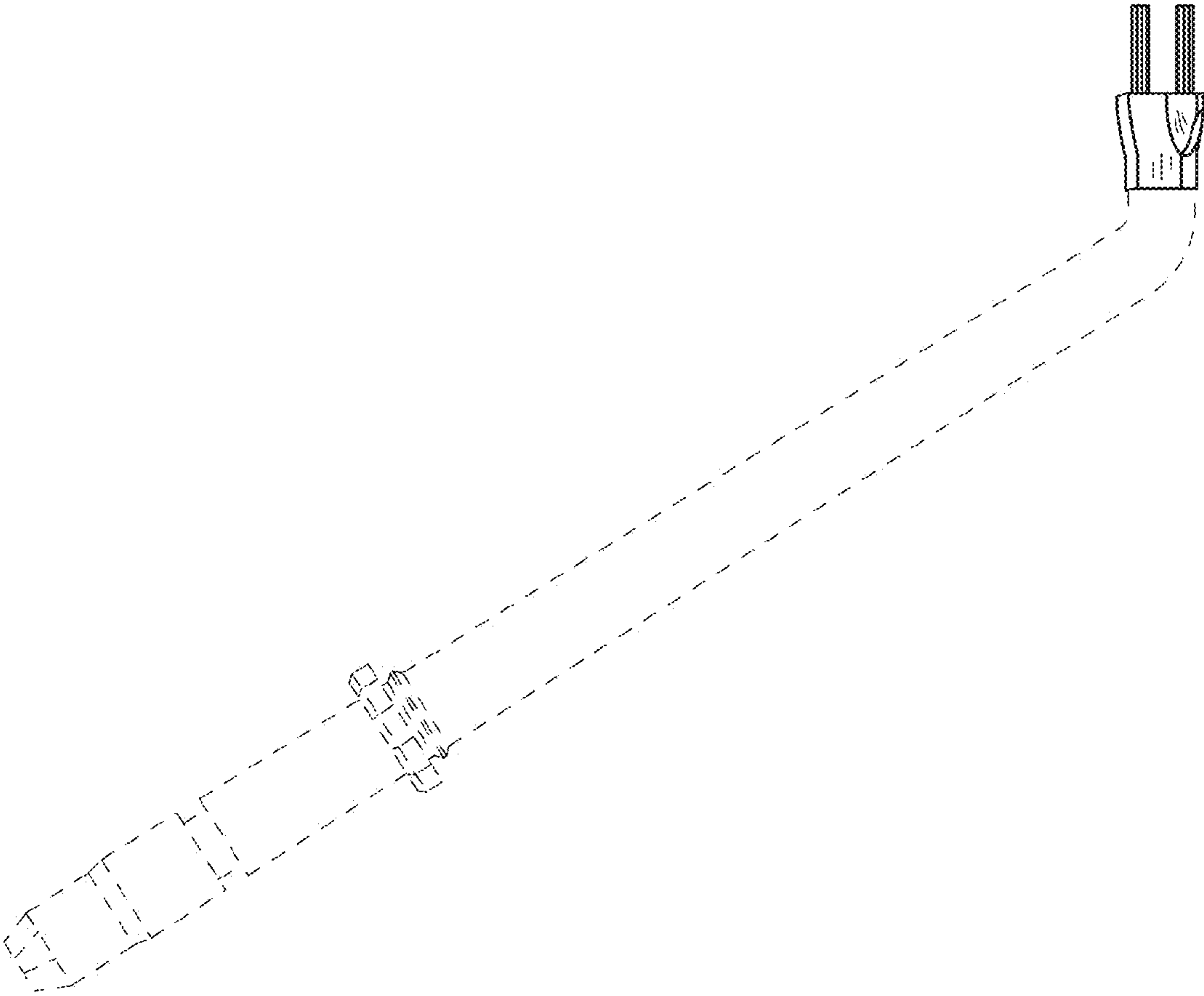


FIG.1



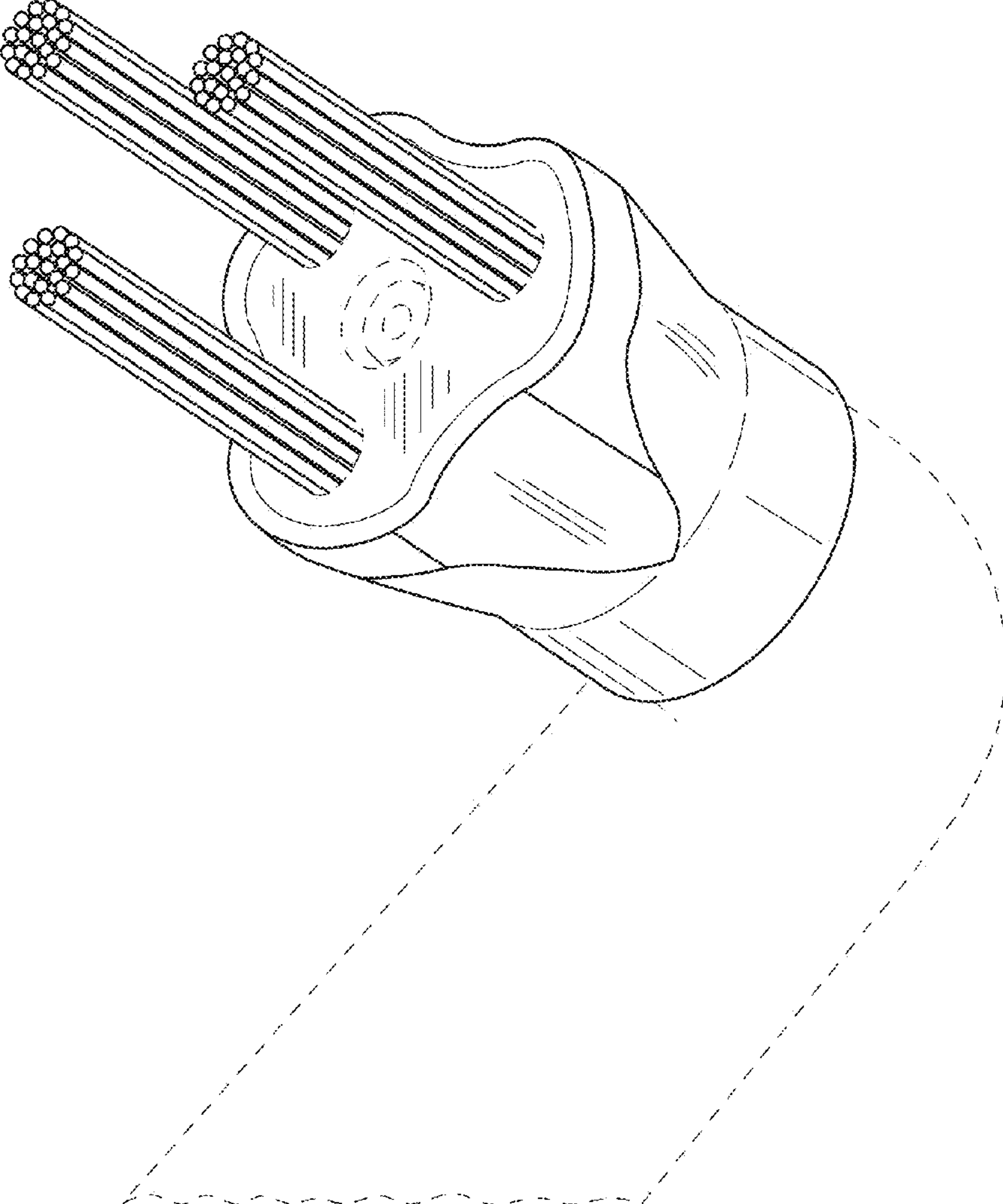


FIG.2

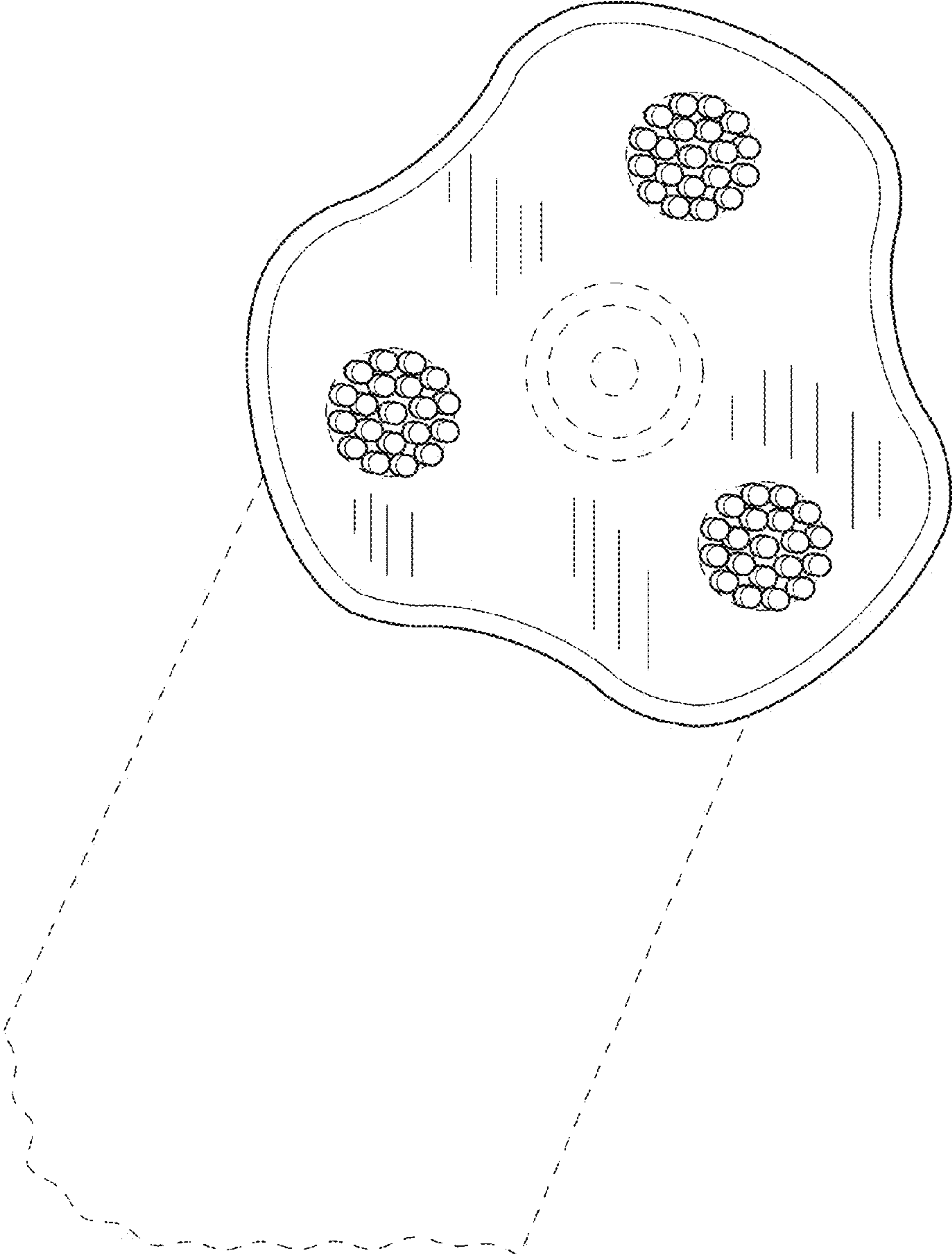


FIG.3