



US00D756120S

(12) **United States Design Patent**
Horovitz

(10) **Patent No.:** **US D756,120 S**

(45) **Date of Patent:** **** May 17, 2016**

(54) **TOOL BOX HANDLE**

(71) Applicant: **THE STANLEY WORKS ISRAEL LTD.**, Rosh Ha' Ayin (IL)

(72) Inventor: **Nadin Daniel Horovitz**, Rehovot (IL)

(73) Assignee: **The Stanley Works Israel, Ltd.**, Rosh Ha' Ayin (IL)

(**) Term: **14 Years**

(21) Appl. No.: **29/444,973**

(22) Filed: **Feb. 6, 2013**

(30) **Foreign Application Priority Data**

Aug. 7, 2012 (EM) 001338453

(51) **LOC (10) CL.** **03-01**

(52) **U.S. CL.**
USPC **D3/318; D8/300; D8/313**

(58) **Field of Classification Search**
USPC D3/318, 273, 274, 276, 279, 281, 282,
D3/291, 294, 905; D8/300, 301, 302, 306,
D8/313, 315, 316, 317, 318, 319, 320, 321,
D8/322
CPC A45C 13/26; A45C 13/262; A45C
2013/265; A45C 2013/267; A45C 13/28;
A45C 13/22; A45C 2013/226; A45C
2013/223; B65D 25/28
See application file for complete search history.

(56) **References Cited**

U.S. PATENT DOCUMENTS

D403,229 S * 12/1998 Chou D8/316
5,876,048 A * 3/1999 Lee 280/47.315

6,167,592	B1 *	1/2001	Tsai	16/411
6,279,705	B1 *	8/2001	Wu	190/18 A
6,575,274	B1 *	6/2003	Huang	190/115
D504,773	S *	5/2005	Lu	D3/318
7,337,495	B2 *	3/2008	Jung et al.	16/114.1
D623,855	S *	9/2010	Elliott et al.	D3/279
D630,851	S *	1/2011	Landau et al.	D3/279
D637,398	S *	5/2011	Jiang	D3/318
D640,869	S *	7/2011	Katz et al.	D3/279
D666,832	S *	9/2012	Kinsky et al.	D3/318
D674,605	S *	1/2013	Vilkomirski et al.	D3/281
D702,941	S *	4/2014	Frahm et al.	D3/276
D710,107	S *	8/2014	Sangirardi	D3/318
D712,152	S *	9/2014	Tong	D3/318
D720,929	S *	1/2015	Felice	D3/279
2002/0070087	A1 *	6/2002	Lee	190/115
2003/0038007	A1 *	2/2003	Han	190/115
2014/0027226	A1 *	1/2014	Liang	190/18 A

* cited by examiner

Primary Examiner — Ian Simmons

Assistant Examiner — Ieisha Price

(74) *Attorney, Agent, or Firm* — Gabriel A. Haboubi

(57) **CLAIM**

The ornamental design for a tool box handle, as shown and described.

DESCRIPTION

FIG. 1 is a left rear perspective view of my new design.

FIG. 2 is a top view thereof.

FIG. 3 is a bottom view thereof.

FIG. 4 is a left side view thereof.

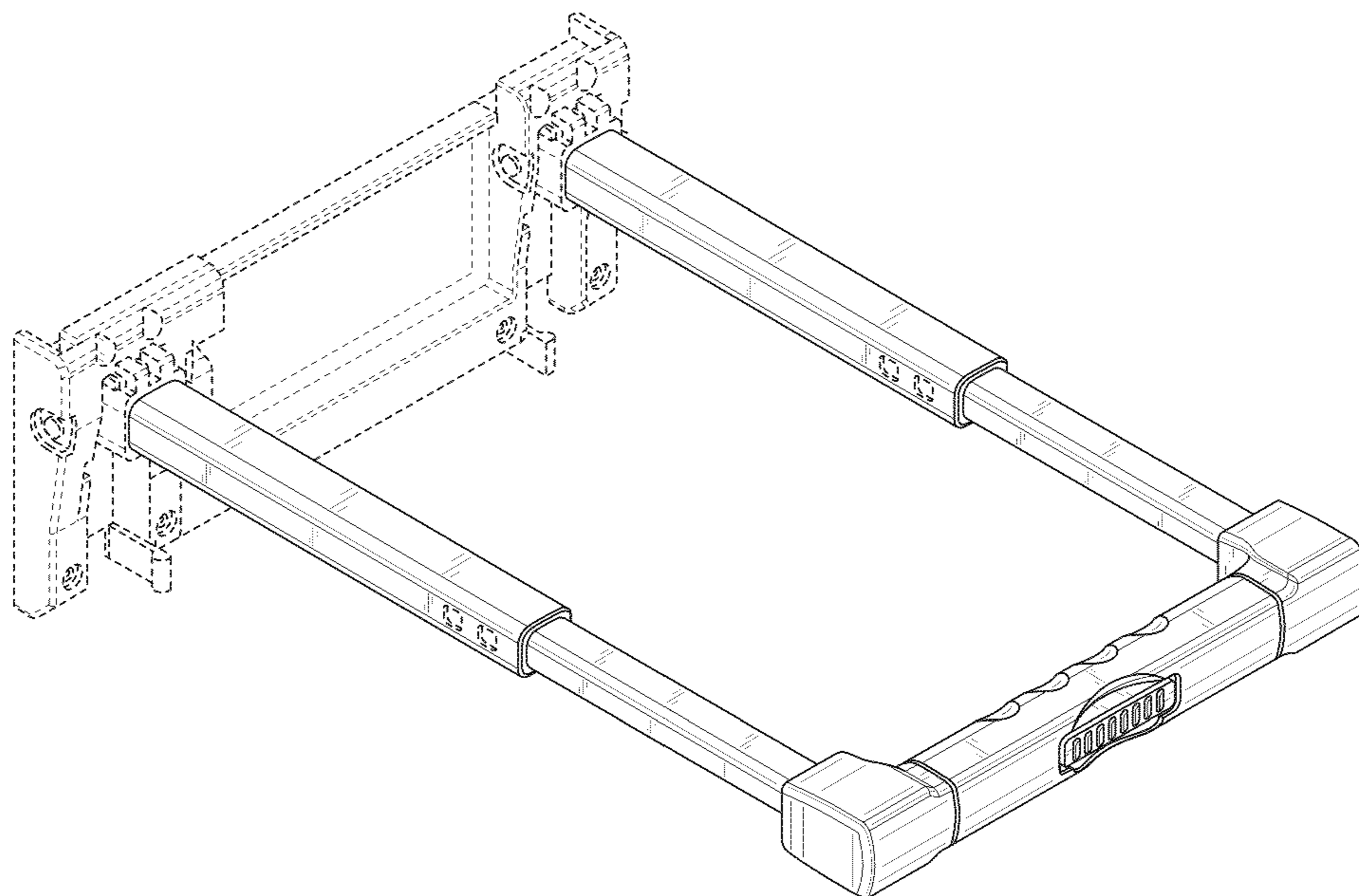
FIG. 5 is a right side view thereof.

FIG. 6 is a front view thereof; and,

FIG. 7 is a rear view thereof.

The broken lines in the drawings illustrate portions of the tool box handle and form no part of the claimed design.

1 Claim, 5 Drawing Sheets



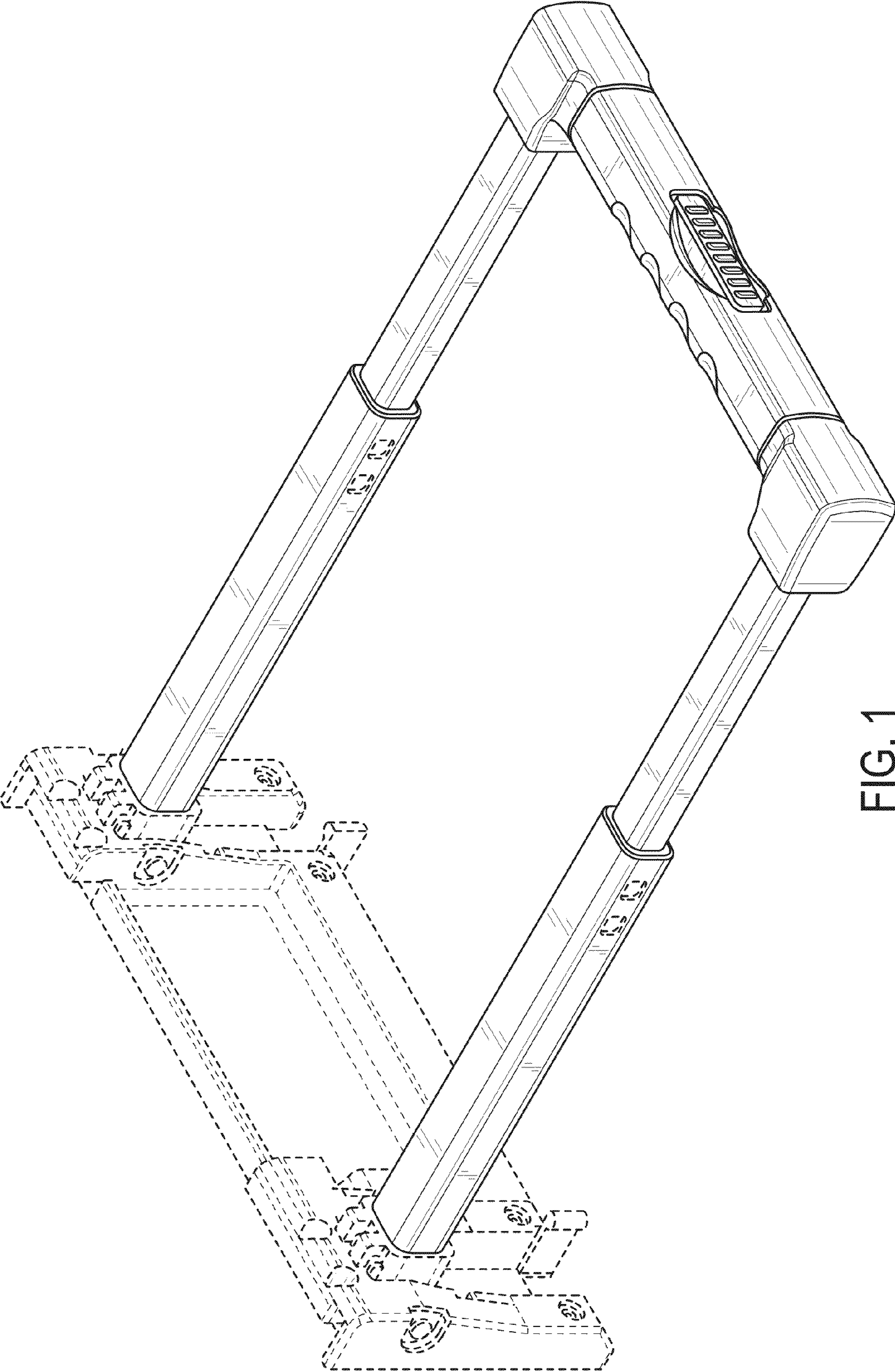


FIG. 1

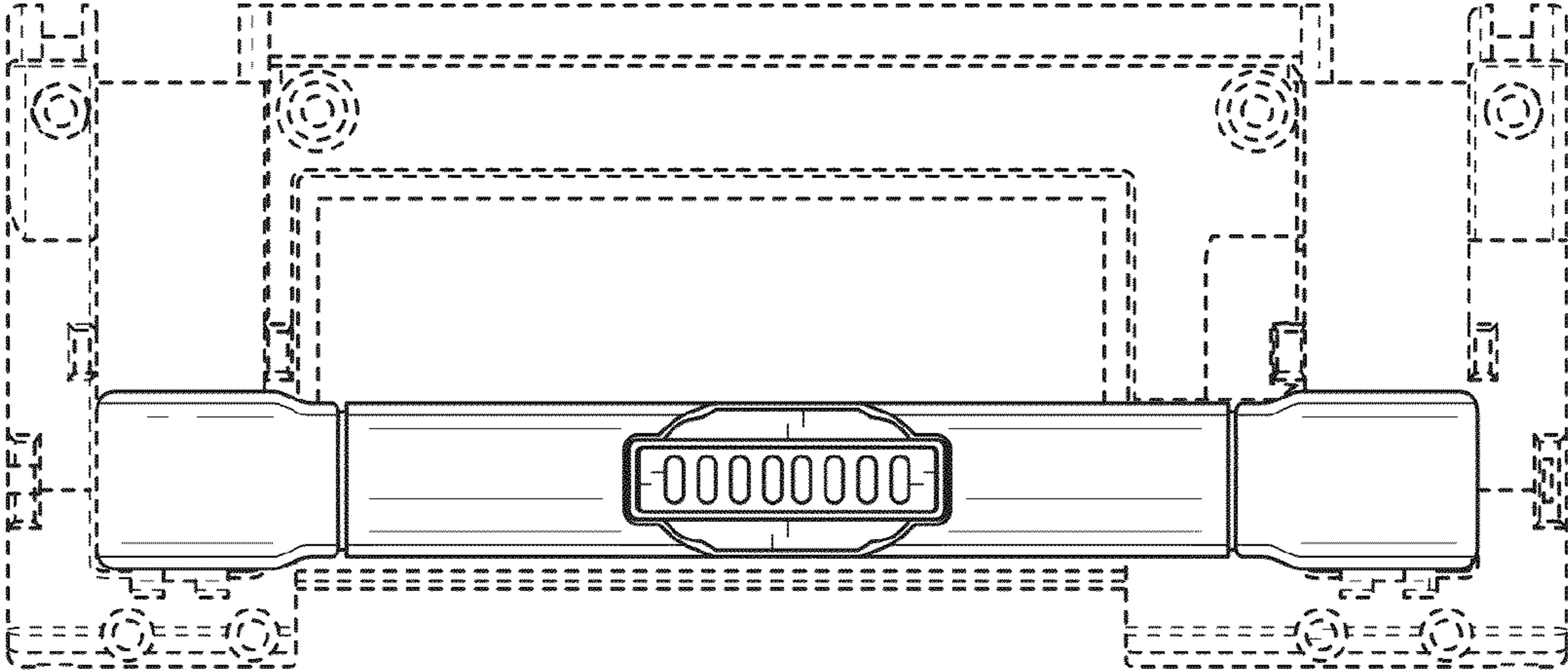


FIG. 2

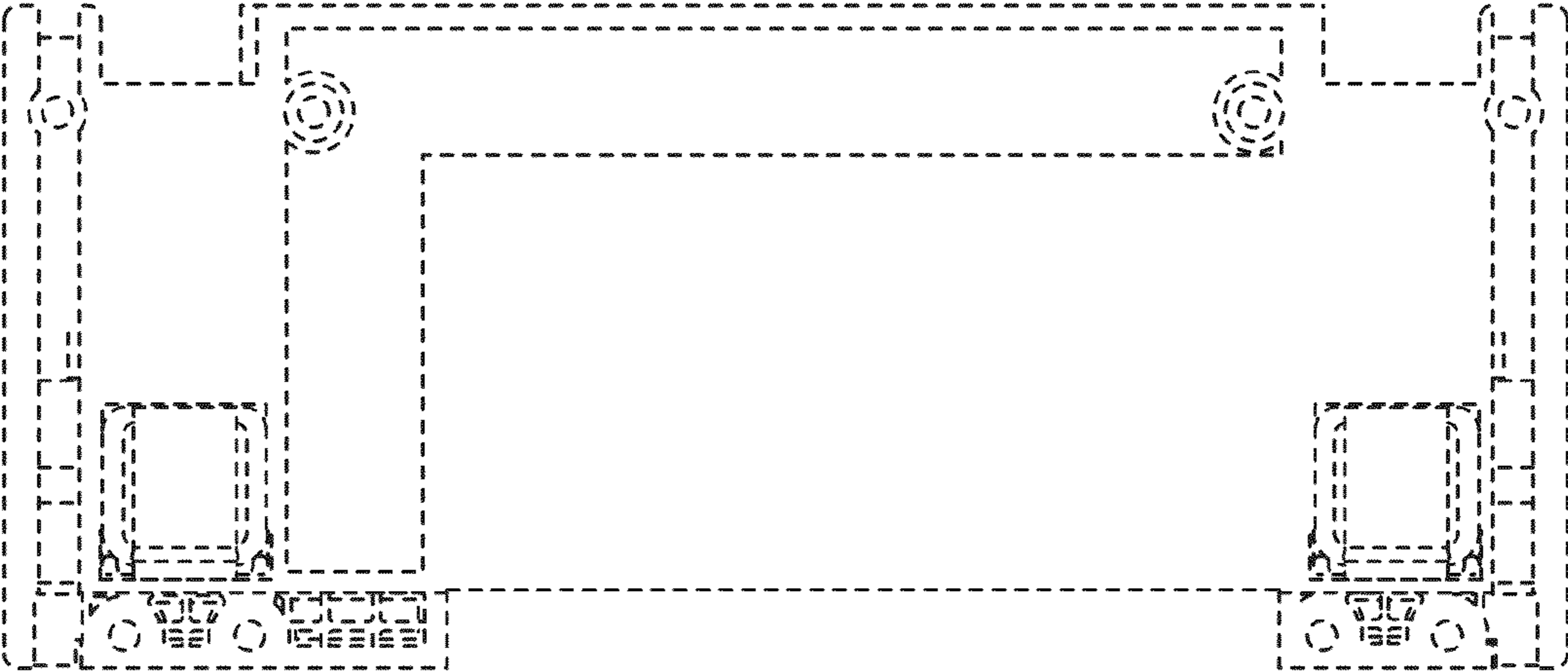


FIG. 3

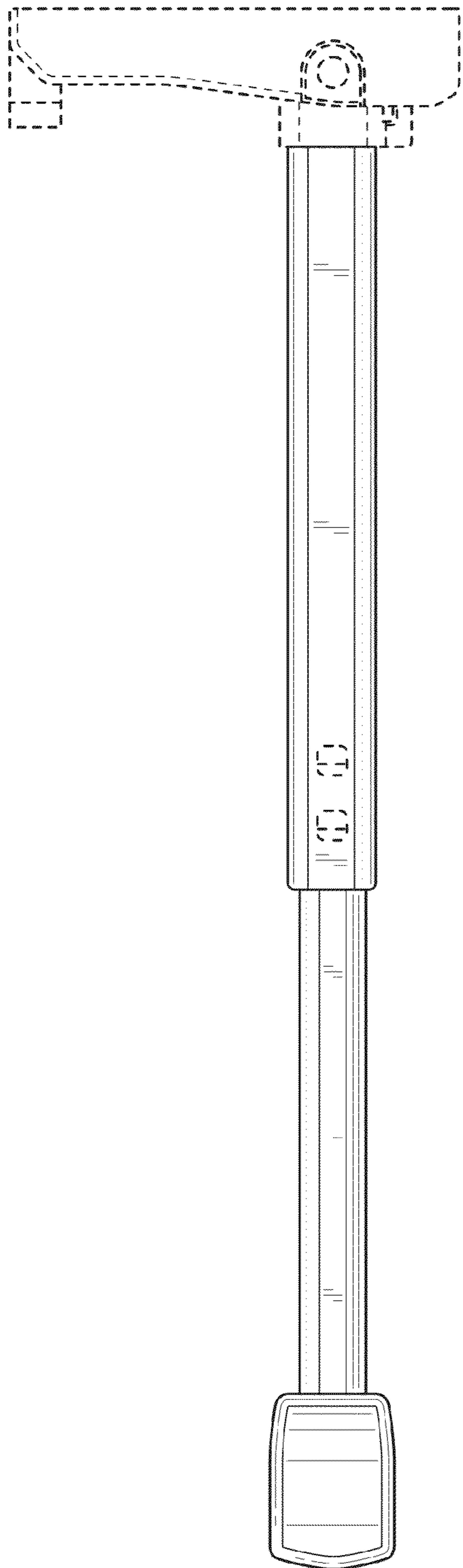


FIG. 4

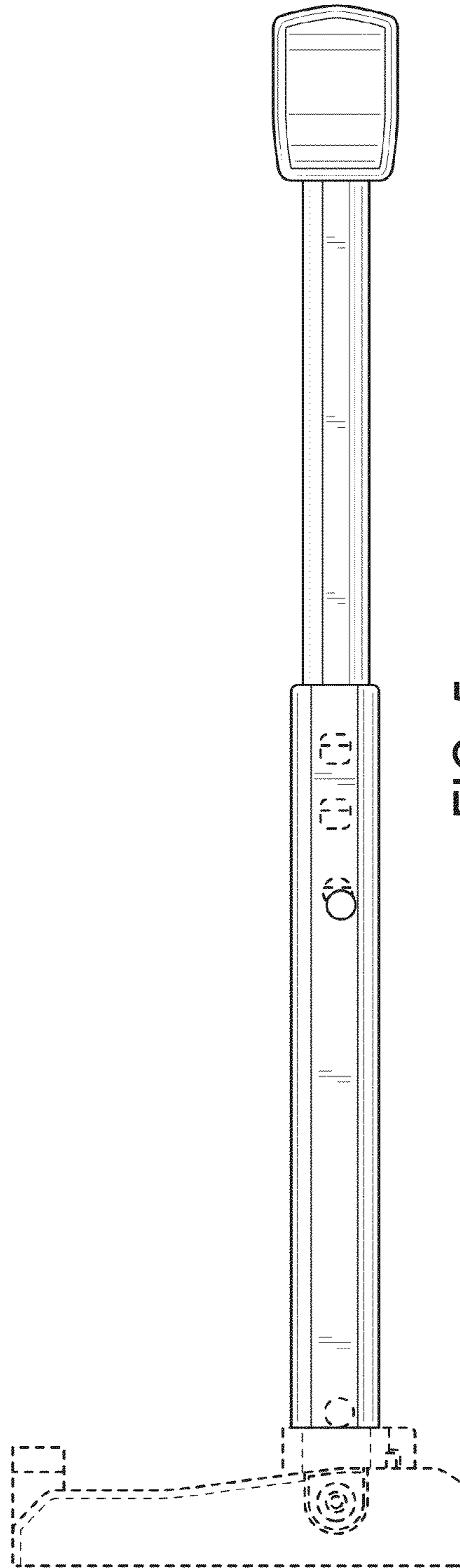


FIG. 5

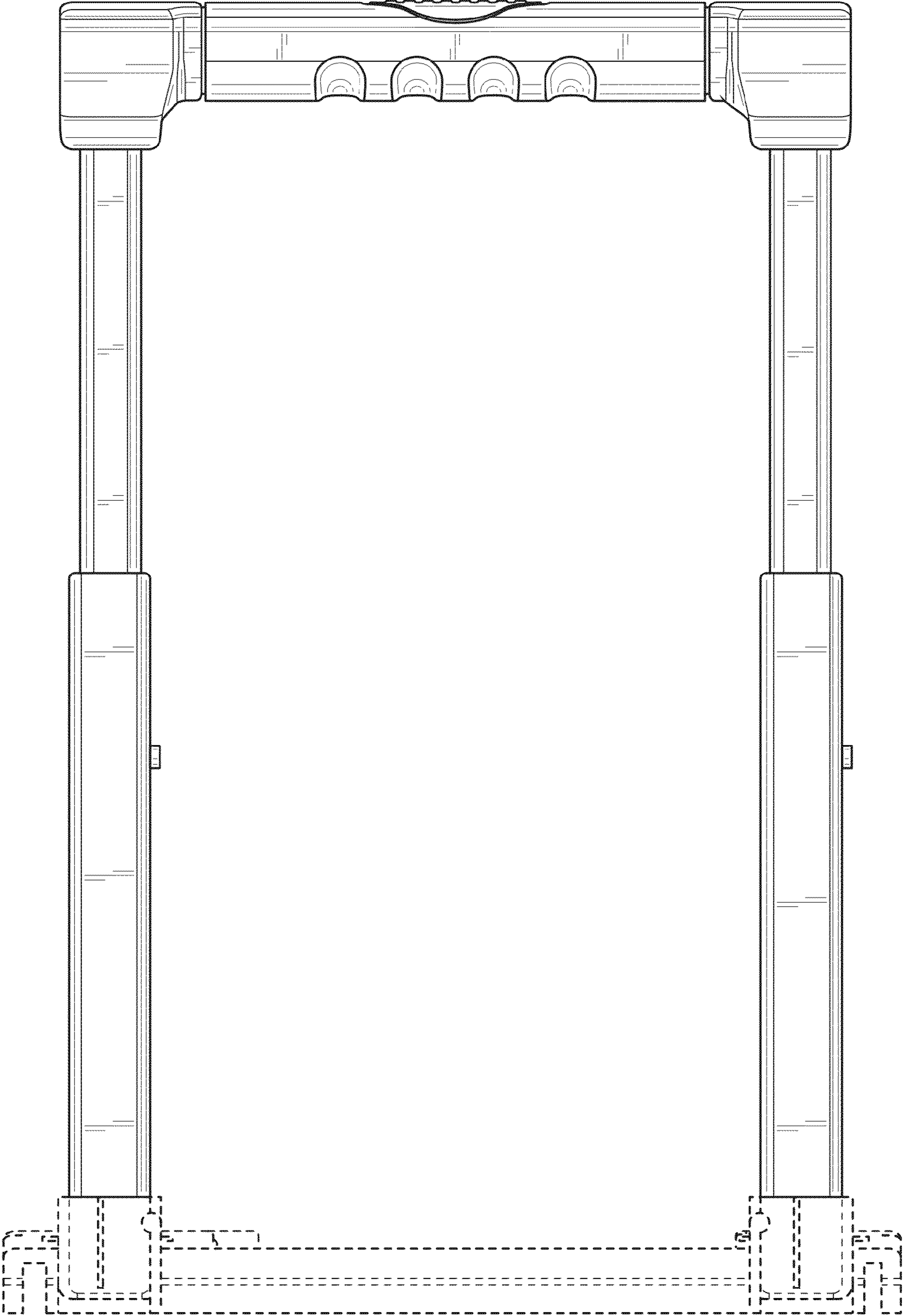


FIG. 6

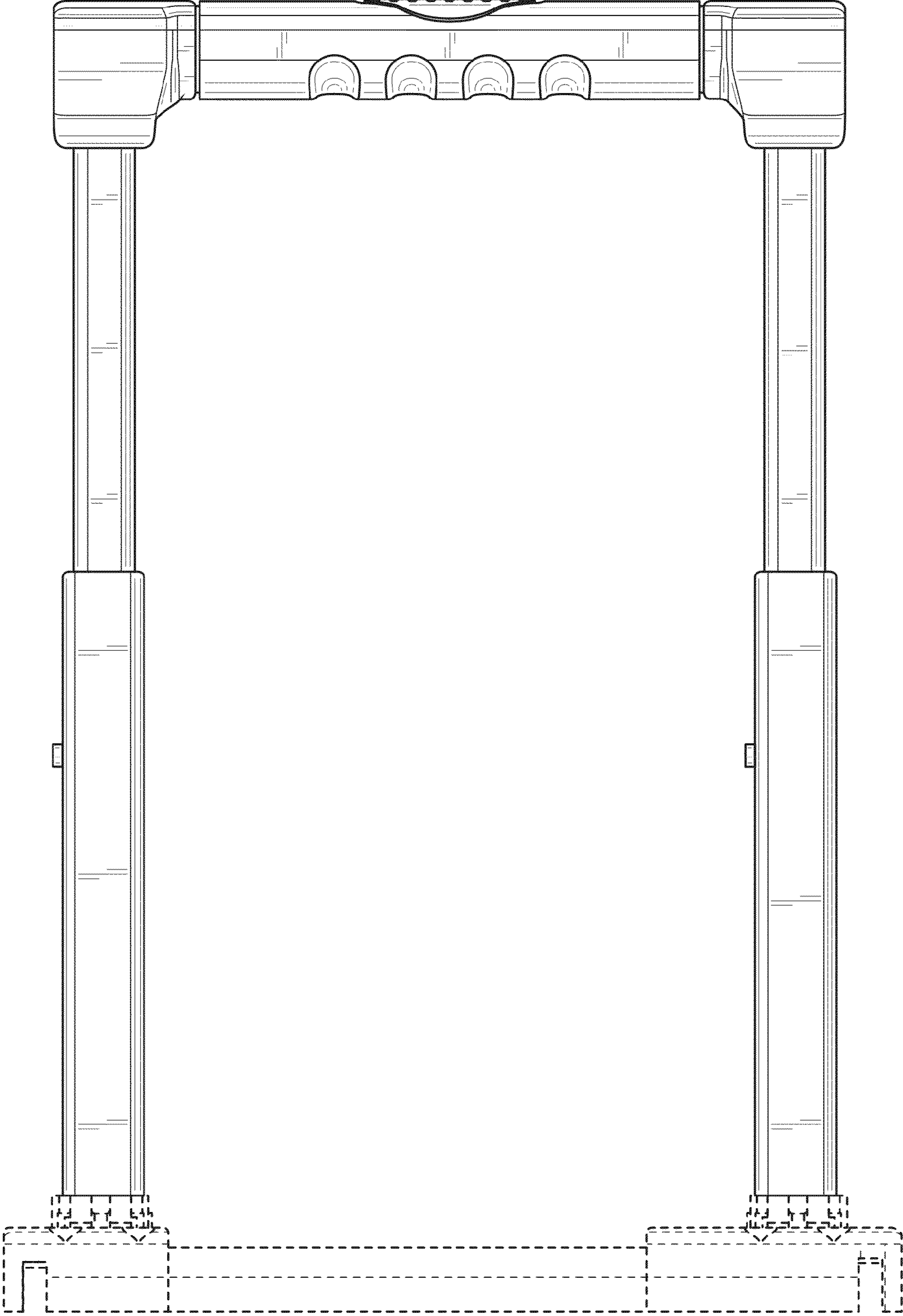


FIG. 7