

US00D756119S

(12) **United States Design Patent**
Hamilton

(10) **Patent No.:** **US D756,119 S**
(45) **Date of Patent:** **** May 17, 2016**

(54) **LAPTOP COMPUTER CARRYING CASE**

(71) Applicant: **Andrew V. Hamilton**, Victorville, CA
(US)

(72) Inventor: **Andrew V. Hamilton**, Victorville, CA
(US)

(**) Term: **14 Years**

(21) Appl. No.: **29/464,543**

(22) Filed: **Aug. 19, 2013**

(51) **LOC (10) Cl.** **03-02**

(52) **U.S. Cl.**
USPC **D3/315**

(58) **Field of Classification Search**
USPC D3/315, 301, 273, 283, 291, 289
CPC A45C 5/14; A45C 13/262; A45C 13/103;
A45C 2013/025; A45C 2011/003; G06F
1/1628

See application file for complete search history.

(56) **References Cited**

U.S. PATENT DOCUMENTS

D435,343 S *	12/2000	Eskandry	D3/284
D441,190 S *	5/2001	Eskandry	D3/289
D471,012 S *	3/2003	Peterson	D3/301
D472,385 S *	4/2003	Bauer	D3/279
D476,481 S *	7/2003	Gilbert	D3/276
D481,204 S *	10/2003	Rada	D3/279
D490,243 S *	5/2004	Domotor	D3/289

D491,363 S *	6/2004	Renz et al.	D3/289
D534,353 S *	1/2007	Hsieh	D3/279
D603,163 S *	11/2009	Van Himbeeck	D3/279
D605,854 S *	12/2009	Gracer et al.	D3/289
D648,533 S *	11/2011	Sosnovsky	D3/283
D701,045 S *	3/2014	Menirom et al.	D3/283
9,027,722 B1 *	5/2015	Parker	190/102
2009/0314594 A1 *	12/2009	Harrison et al.	190/109
2013/0140118 A1 *	6/2013	Benshetrit et al.	190/103
2014/0262660 A1 *	9/2014	D'Angelo	190/18 A
2014/0313653 A1 *	10/2014	Daley, III	361/679.03

* cited by examiner

Primary Examiner — Susan Bennett Hattan

Assistant Examiner — Charles Hanson

(74) *Attorney, Agent, or Firm* — Alfred F. Hoyte, Jr.

(57) **CLAIM**

The ornamental design for a laptop computer carrying case, as shown and described.

DESCRIPTION

FIG. 1 is a front perspective view of a laptop computer carrying case showing my new design.

FIG. 2 is a front elevation view thereof;

FIG. 3 is a rear elevation view thereof;

FIG. 4 is a side elevation thereof;

FIG. 5 is an opposite side elevation thereof; and,

FIG. 6 is a top plan view thereof.

The broken line showing of the wheels is included for the purpose of illustrating environment and forms no part of the claimed design.

1 Claim, 5 Drawing Sheets

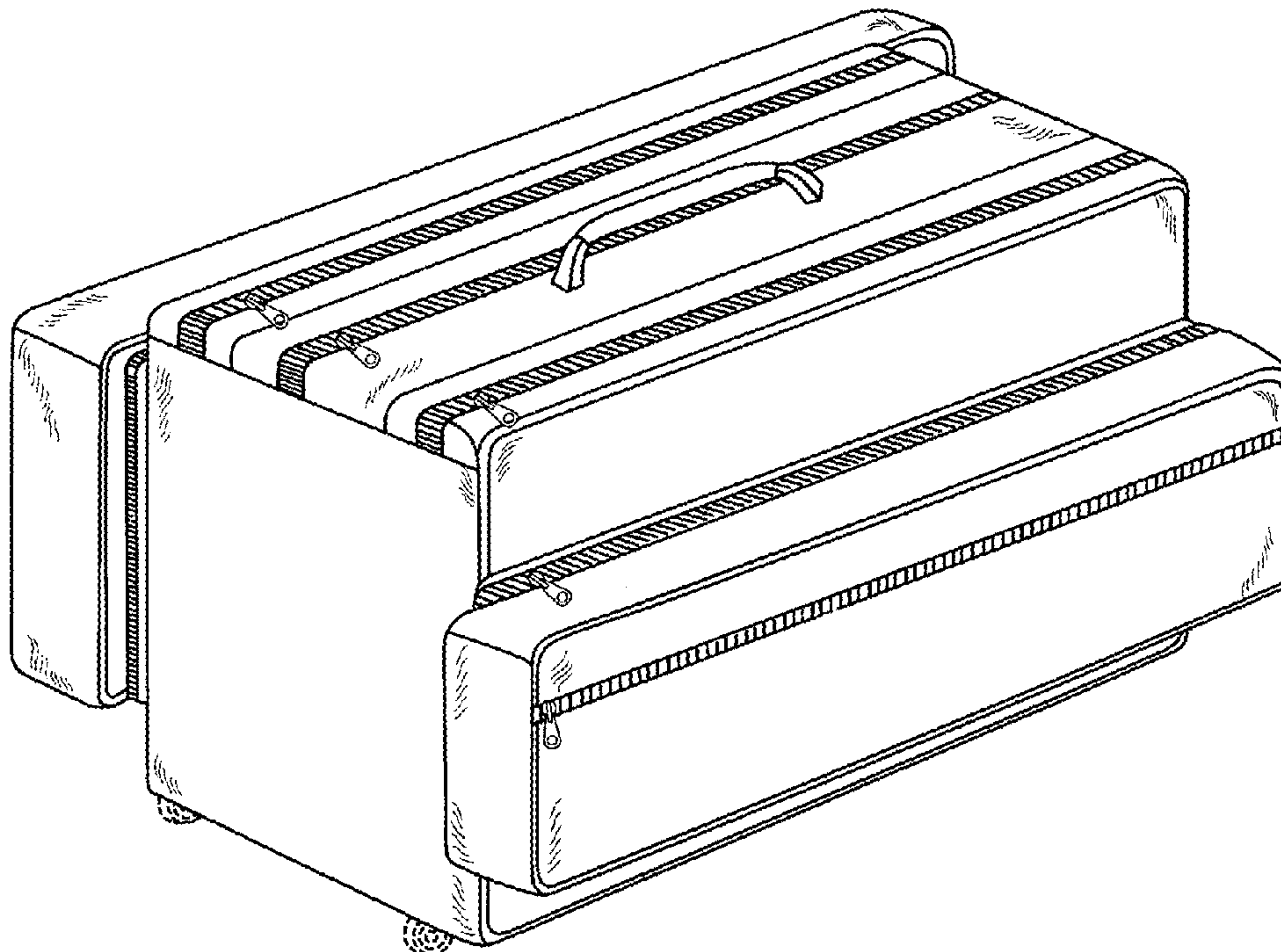


Fig. 1

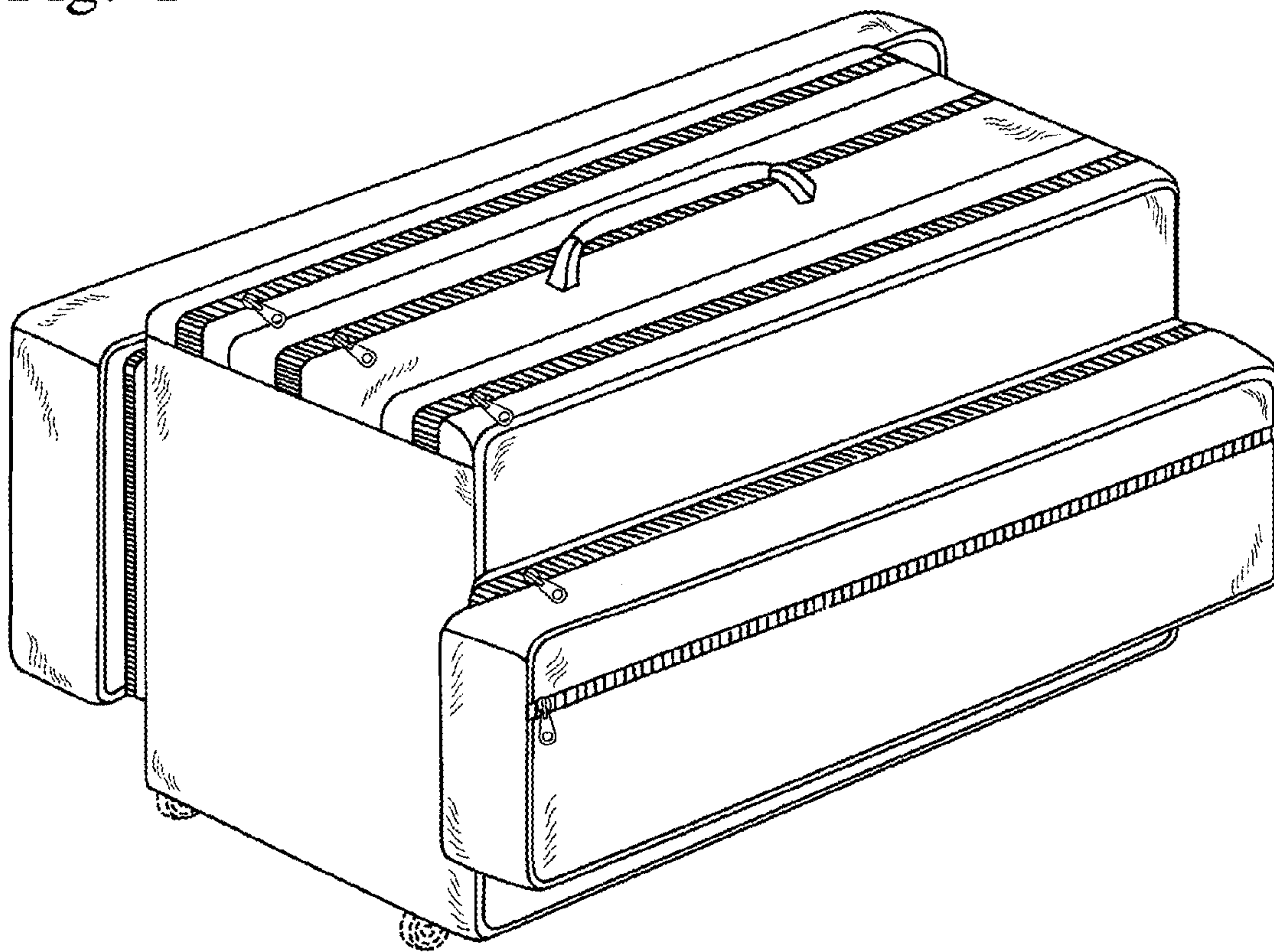


FIG. 2

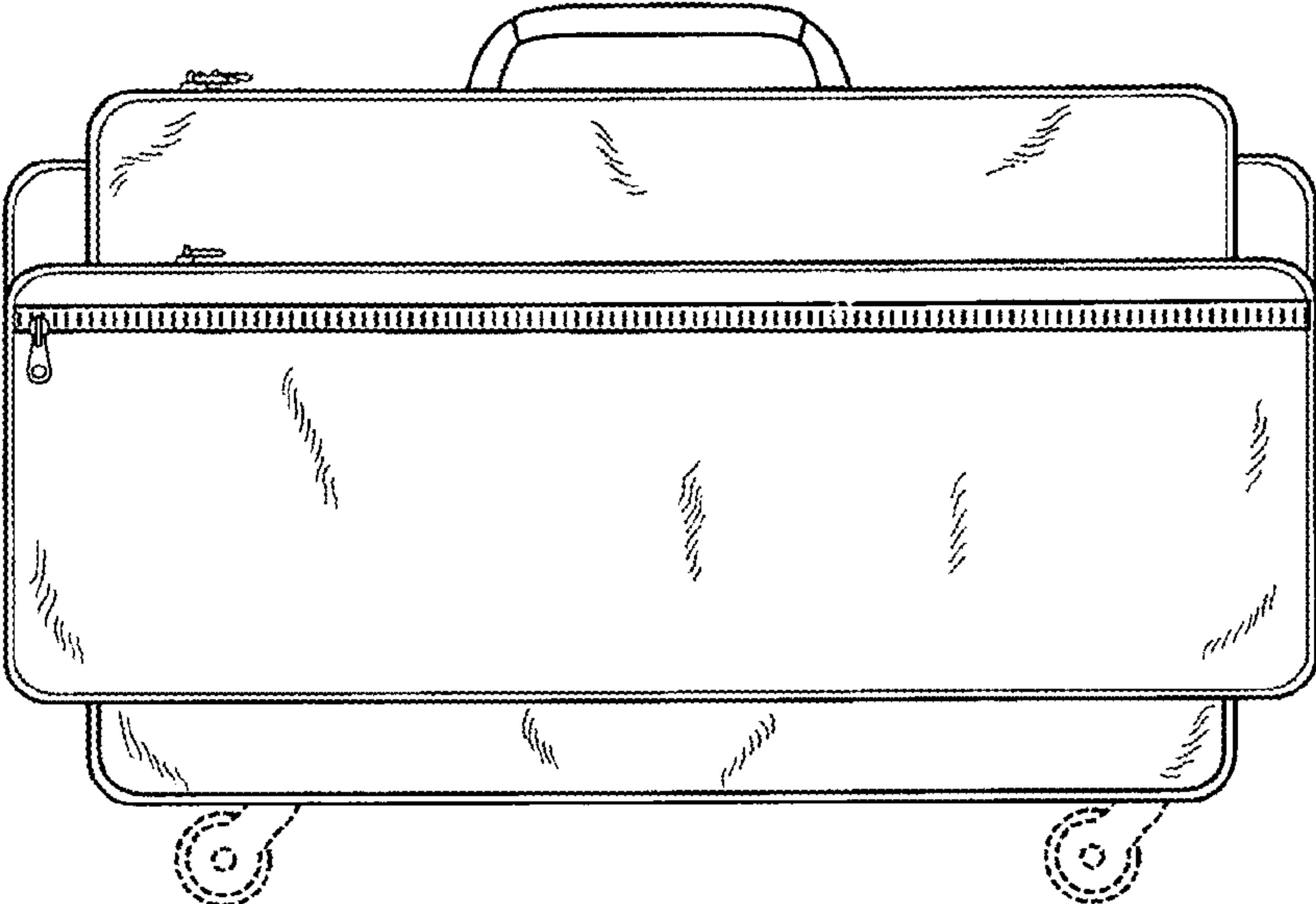


FIG. 3

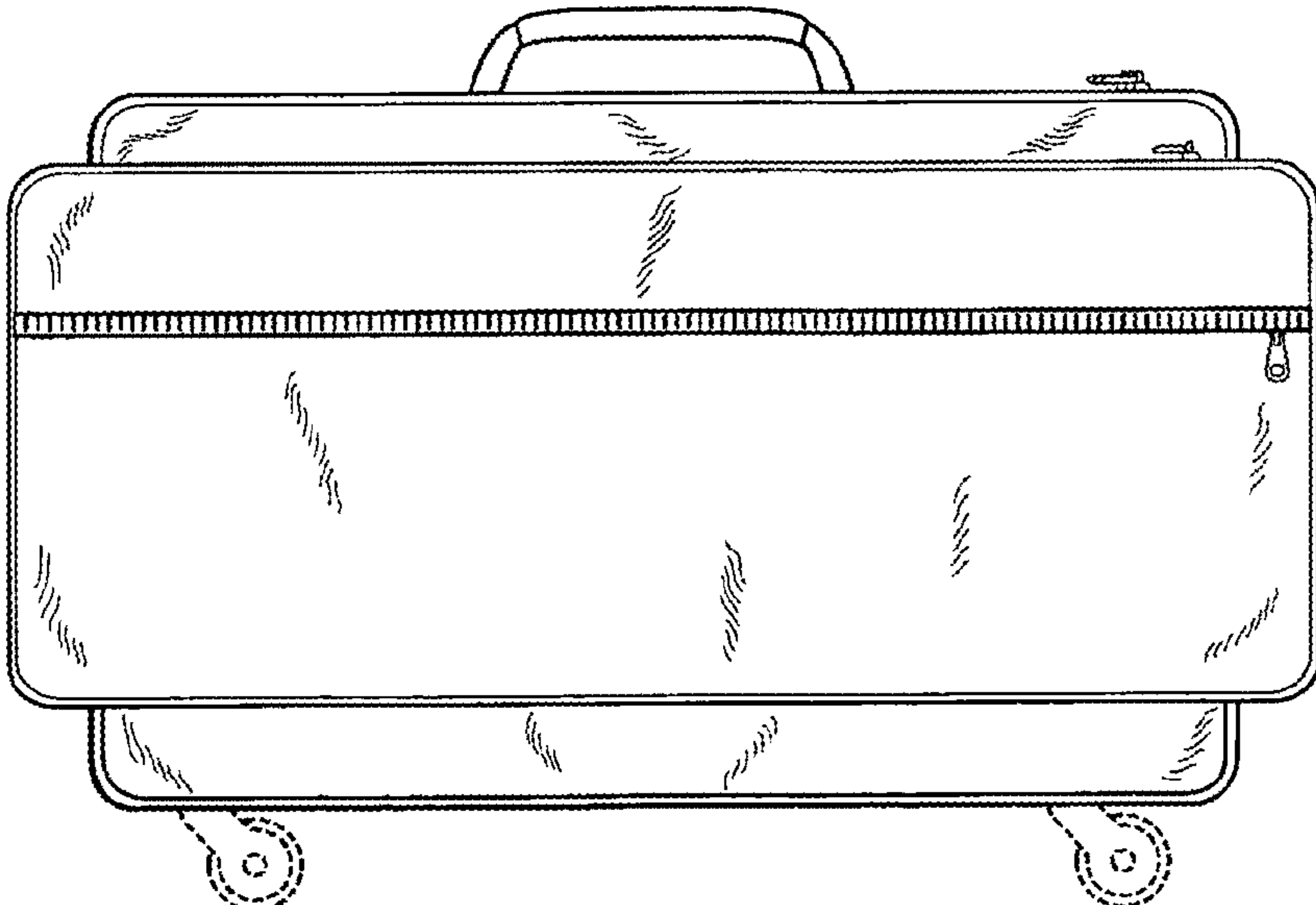


FIG. 4

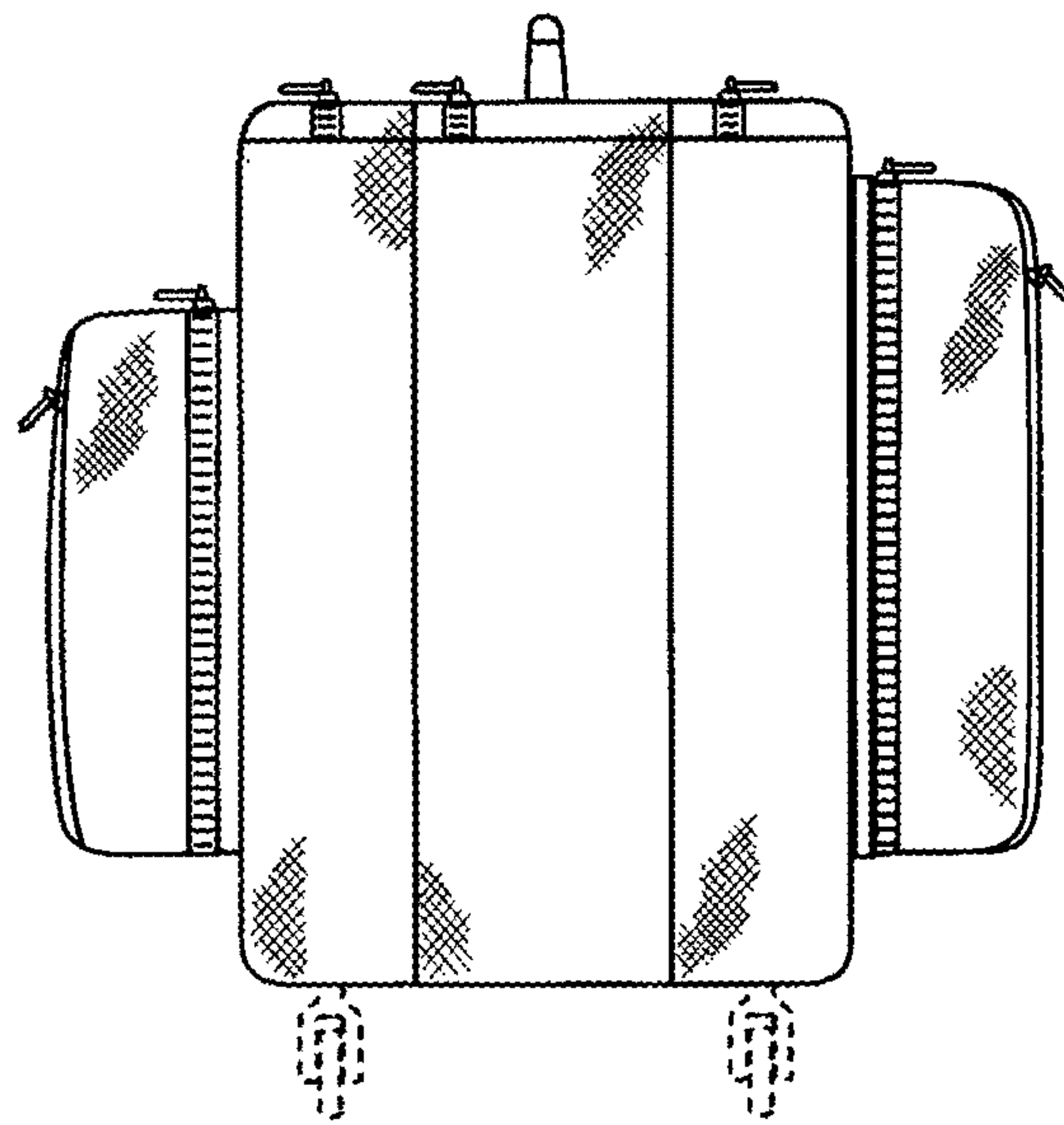


FIG. 5

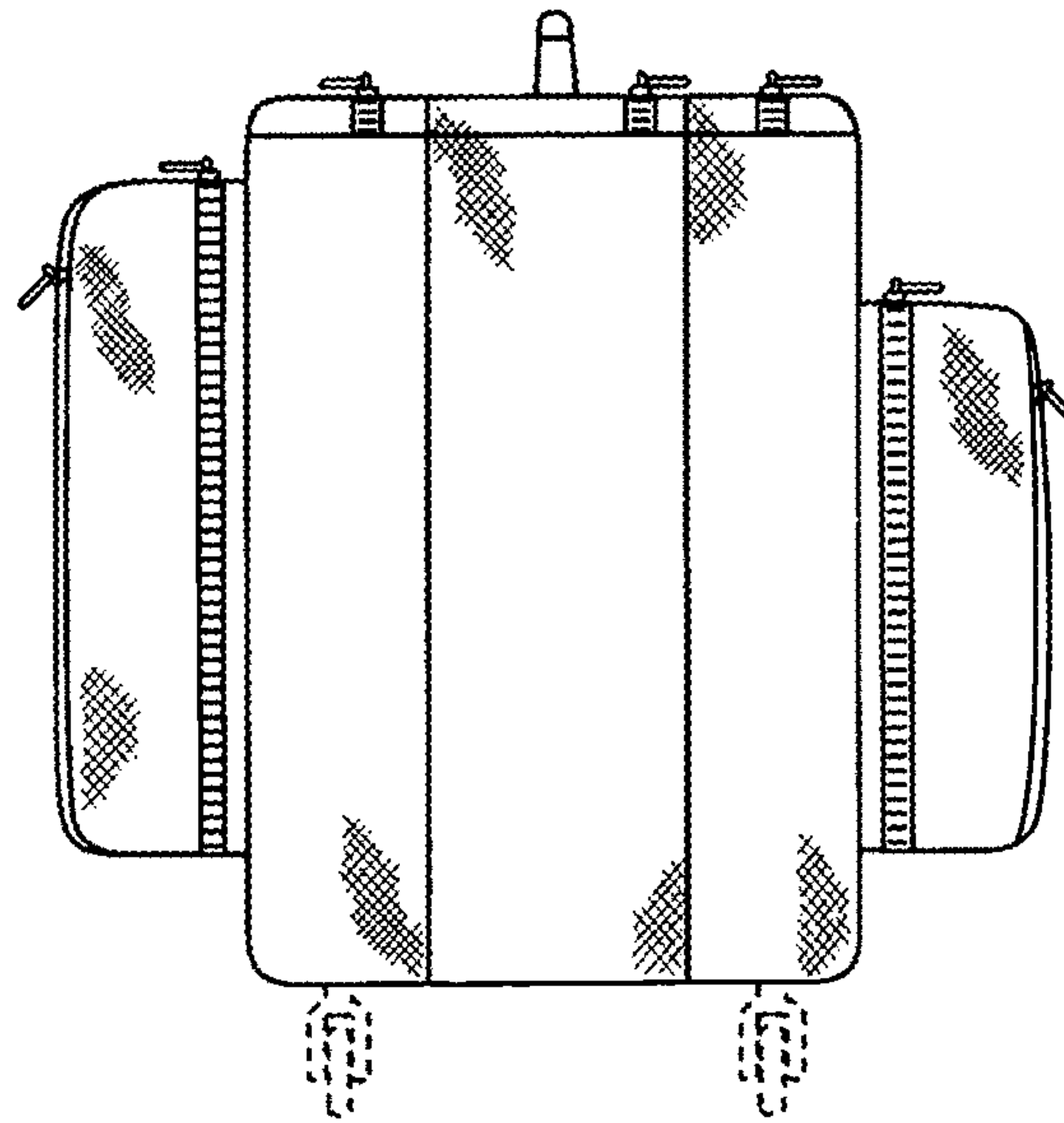


FIG. 6

