



US00D756117S

(12) **United States Design Patent**  
**Harris**

(10) **Patent No.:** **US D756,117 S**

(45) **Date of Patent:** **\*\* May 17, 2016**

(54) **CONTACT LENS CASE WITH CLEANING COMPARTMENT**

(71) Applicant: **Ai Ishihara Harris**, Torrance, CA (US)

(72) Inventor: **Ai Ishihara Harris**, Torrance, CA (US)

(73) Assignee: **Ai Ishihara Harris**, Torrance, CA (US)

(\*\*) Term: **14 Years**

(21) Appl. No.: **29/506,006**

(22) Filed: **Dec. 3, 2014**

(51) **LOC (10) Cl.** ..... **03-01**

(52) **U.S. Cl.**  
USPC ..... **D3/264**

(58) **Field of Classification Search**  
USPC ..... D3/219, 252, 263, 264, 265; 206/5, 5.1, 206/6

CPC ..... A45C 11/04; A45C 11/005  
See application file for complete search history.

(56) **References Cited**

**U.S. PATENT DOCUMENTS**

5,199,559	A *	4/1993	Dark	.....	A61F 2/1691	206/438
D554,368	S *	11/2007	O'Hara	.....	D3/203.1	
D686,512	S *	7/2013	Hamilton	.....	D3/264	
D714,051	S *	9/2014	Priebe	.....	D3/264	
D714,052	S *	9/2014	Priebe	.....	D3/264	
D718,528	S *	12/2014	Garavaglia	.....	D3/264	
D720,532	S *	1/2015	Priebe	.....	D3/264	

D723,274	S *	3/2015	Almanaseer	.....	D3/264	
2002/0069896	A1 *	6/2002	Pankow	.....	A45C 11/005	134/6
2008/0179200	A1 *	7/2008	O'Hara	.....	A45C 11/005	206/5.1
2010/0122917	A1 *	5/2010	Azera	.....	A45C 11/046	206/5.1
2011/0198243	A1 *	8/2011	Mori	.....	A45C 11/046	206/5.1
2013/0105335	A1 *	5/2013	Chavez, Jr.	.....	A45C 11/005	206/5.1
2013/0220840	A1 *	8/2013	Priebe	.....	A45C 11/005	206/5.1
2013/0220851	A1 *	8/2013	Priebe	.....	A45C 11/005	206/234

\* cited by examiner

*Primary Examiner* — T. Chase Nelson

(57) **CLAIM**

I claim the ornamental design for a contact lens case with cleaning compartment, as shown and described.

**DESCRIPTION**

FIG. 1 is a perspective view of the contact lens case with cleaning compartment, showing my design with the cleaning compartment cap removed for clarity of depiction.

FIG. 2 is a front view thereof;

FIG. 3 is a rear view thereof;

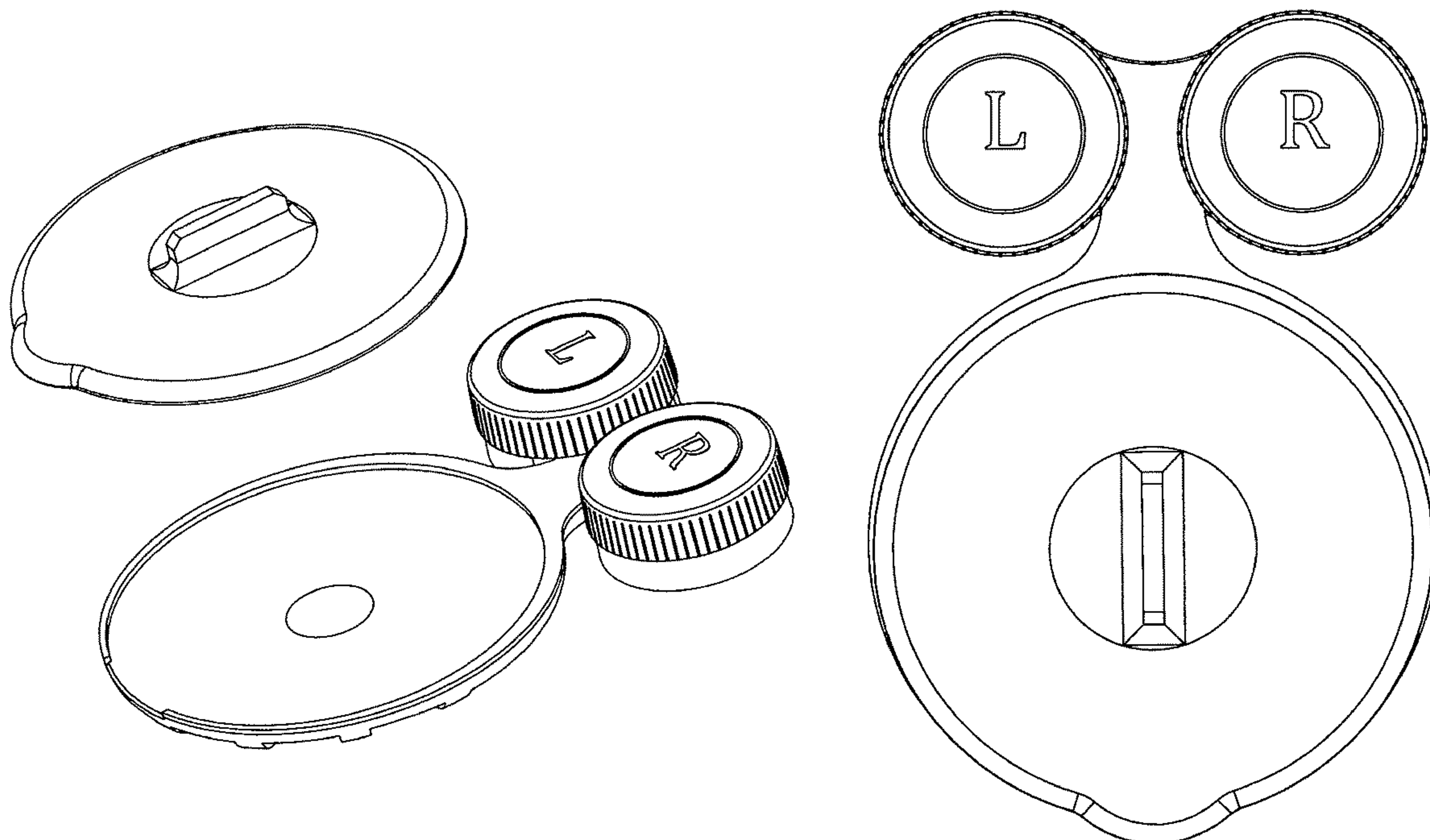
FIG. 4 is a left side view thereof;

FIG. 5 is a right side view thereof;

FIG. 6 is a top plan view thereof; and,

FIG. 7 is a bottom plan view thereof.

**1 Claim, 5 Drawing Sheets**



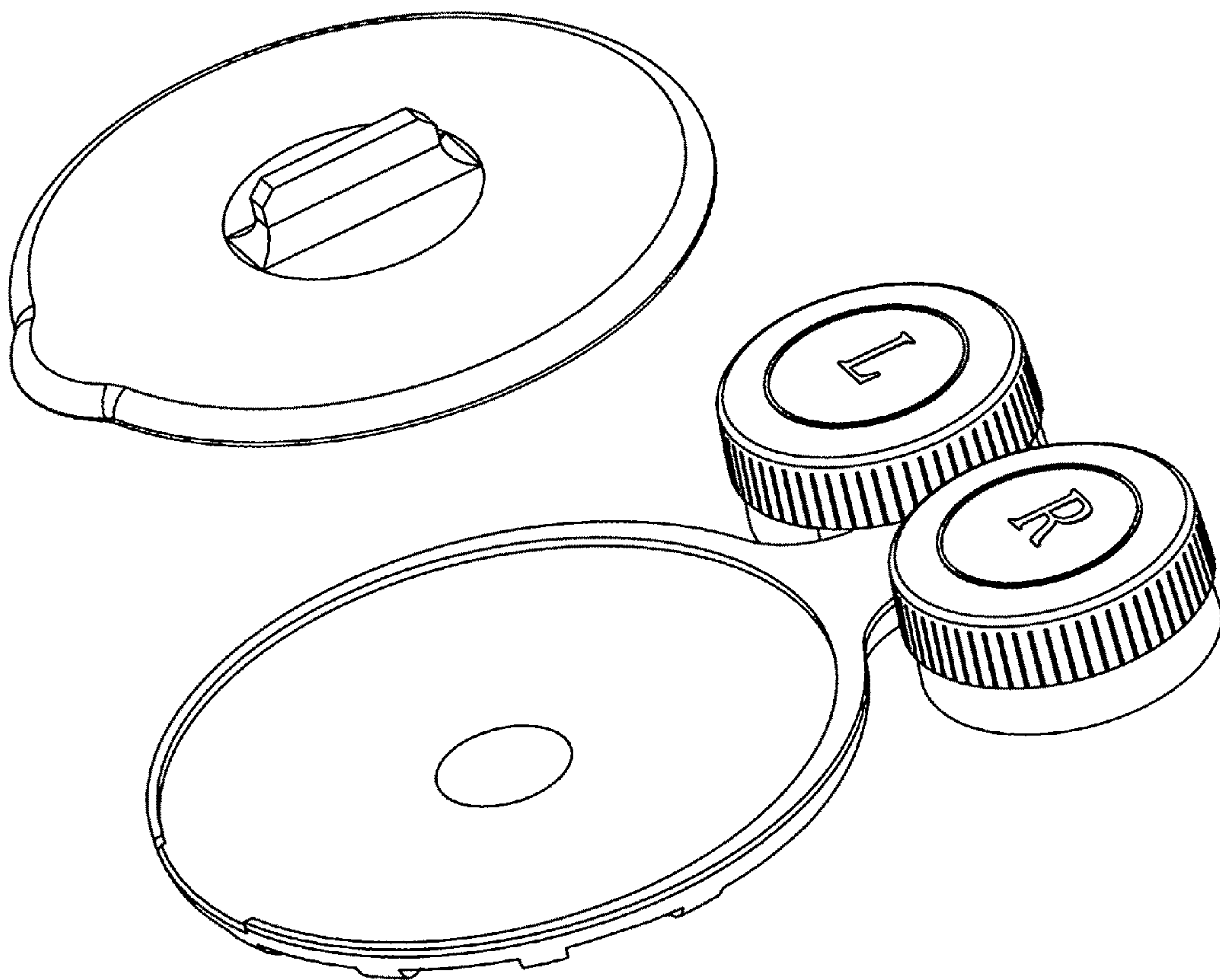


FIG. 1

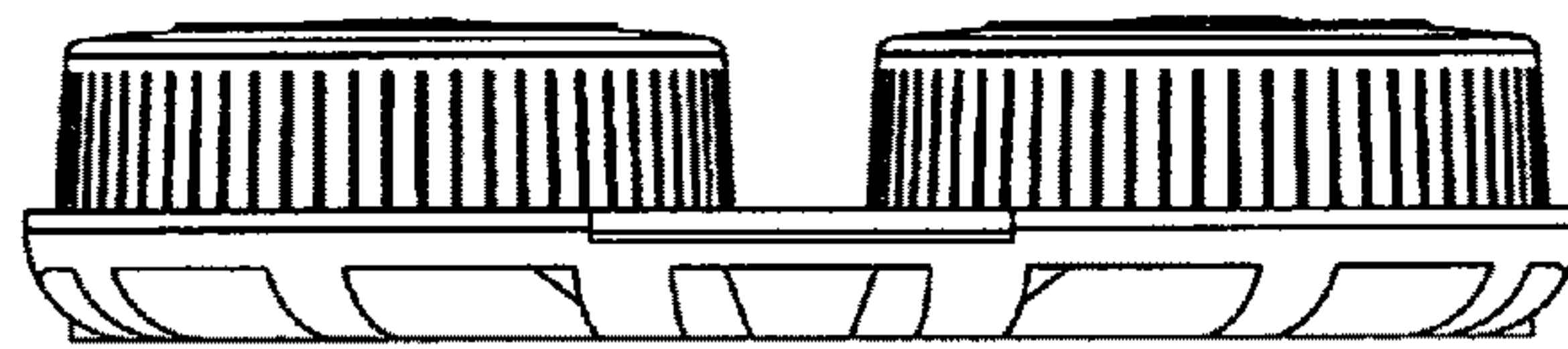
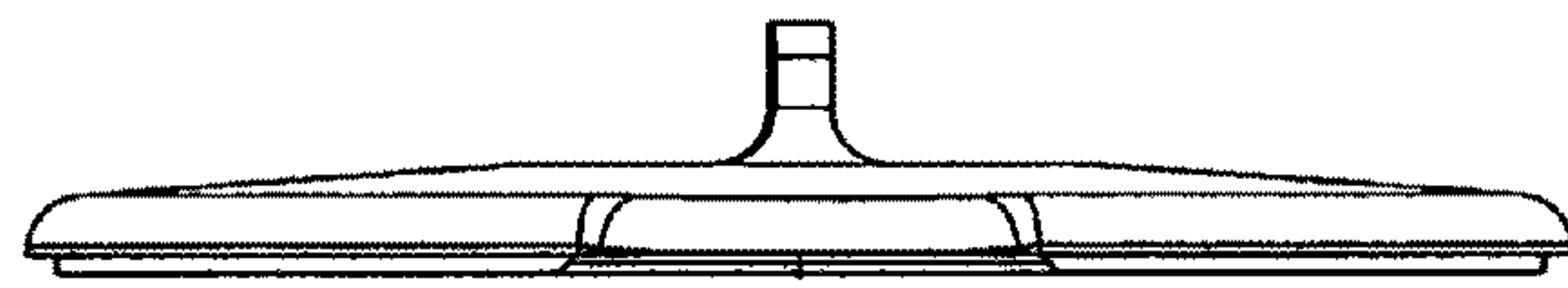


FIG. 2

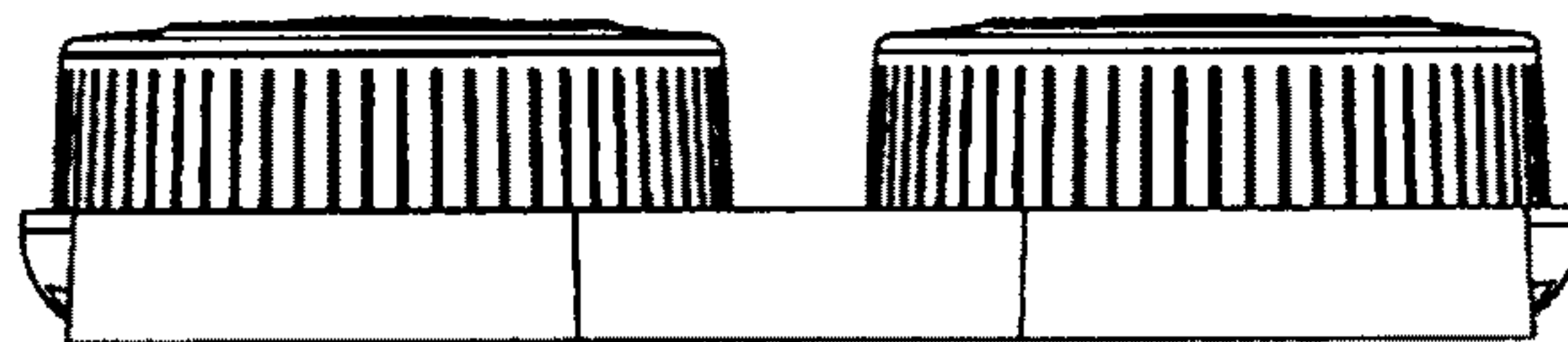
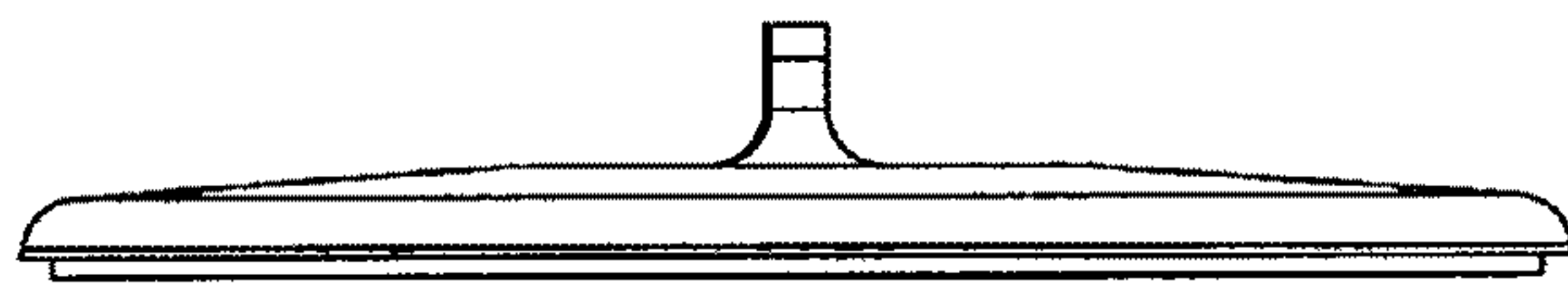


FIG. 3

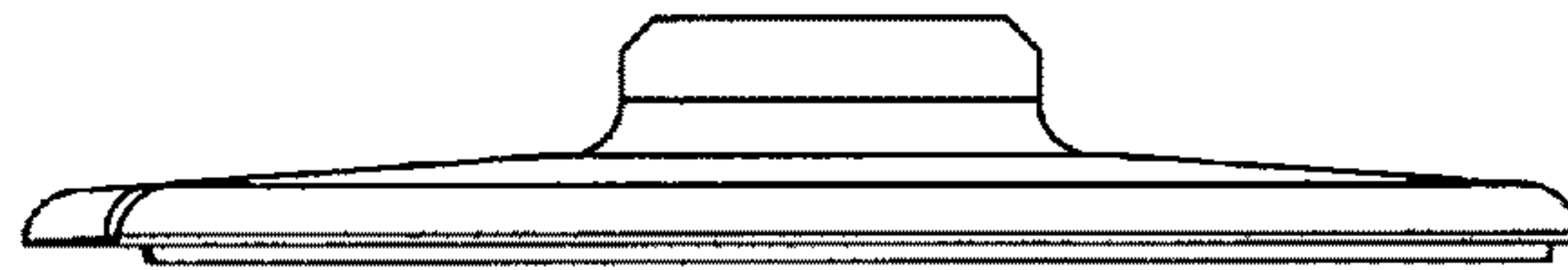


FIG. 4

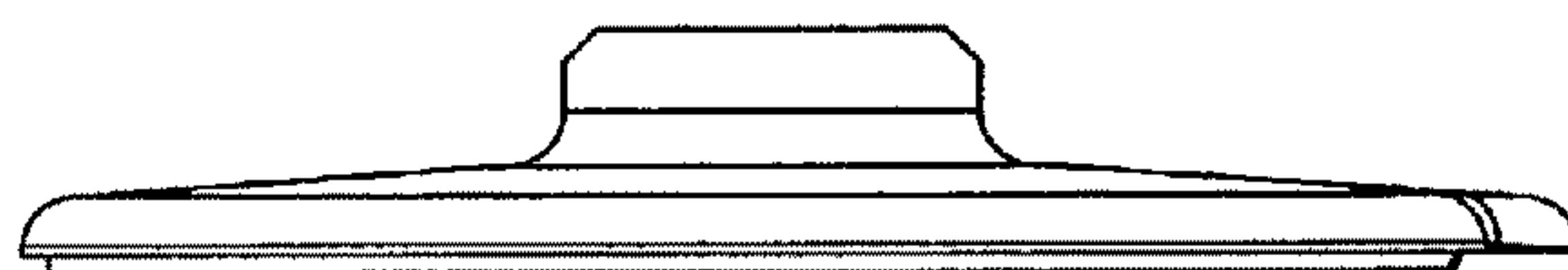


FIG. 5

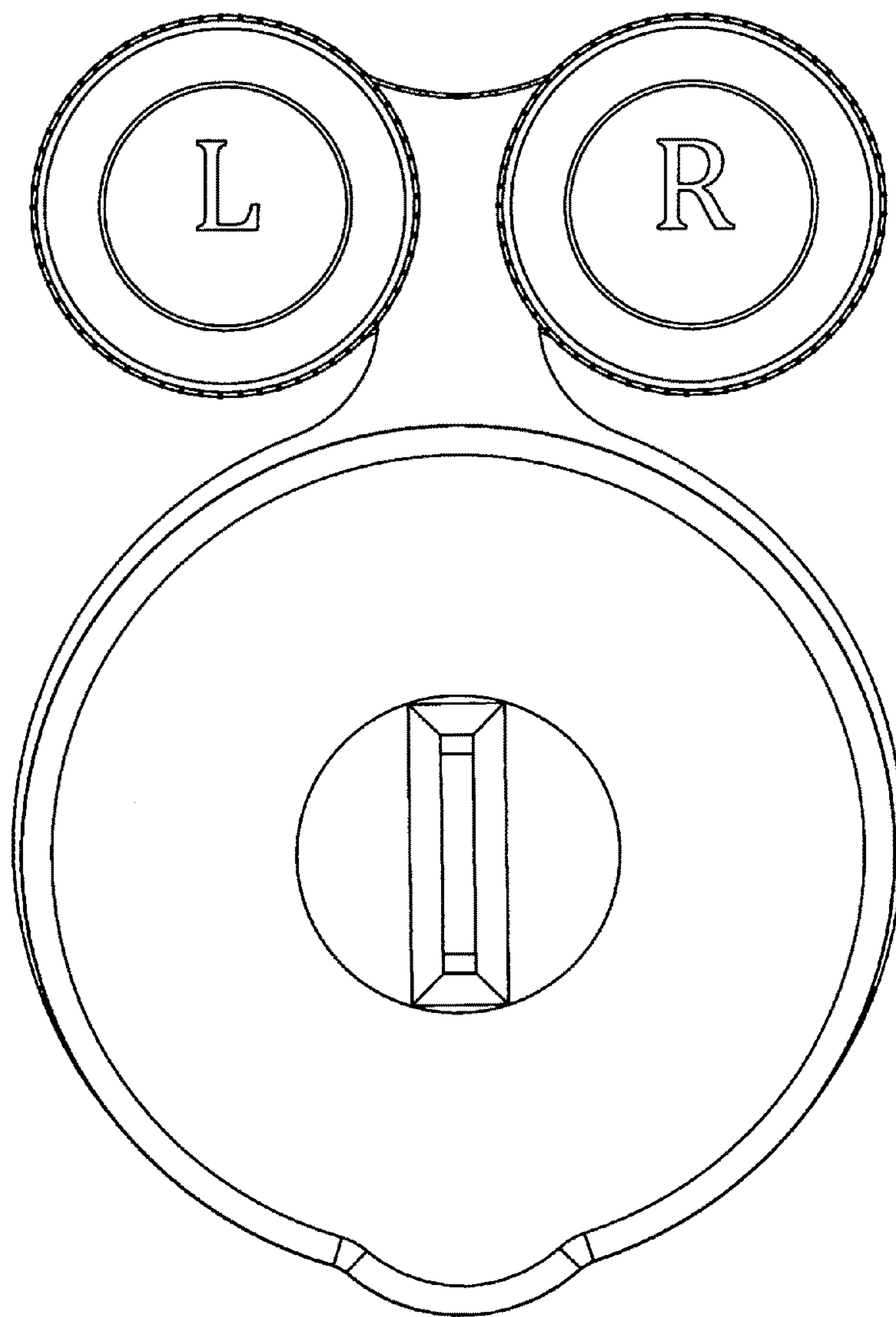


FIG. 6



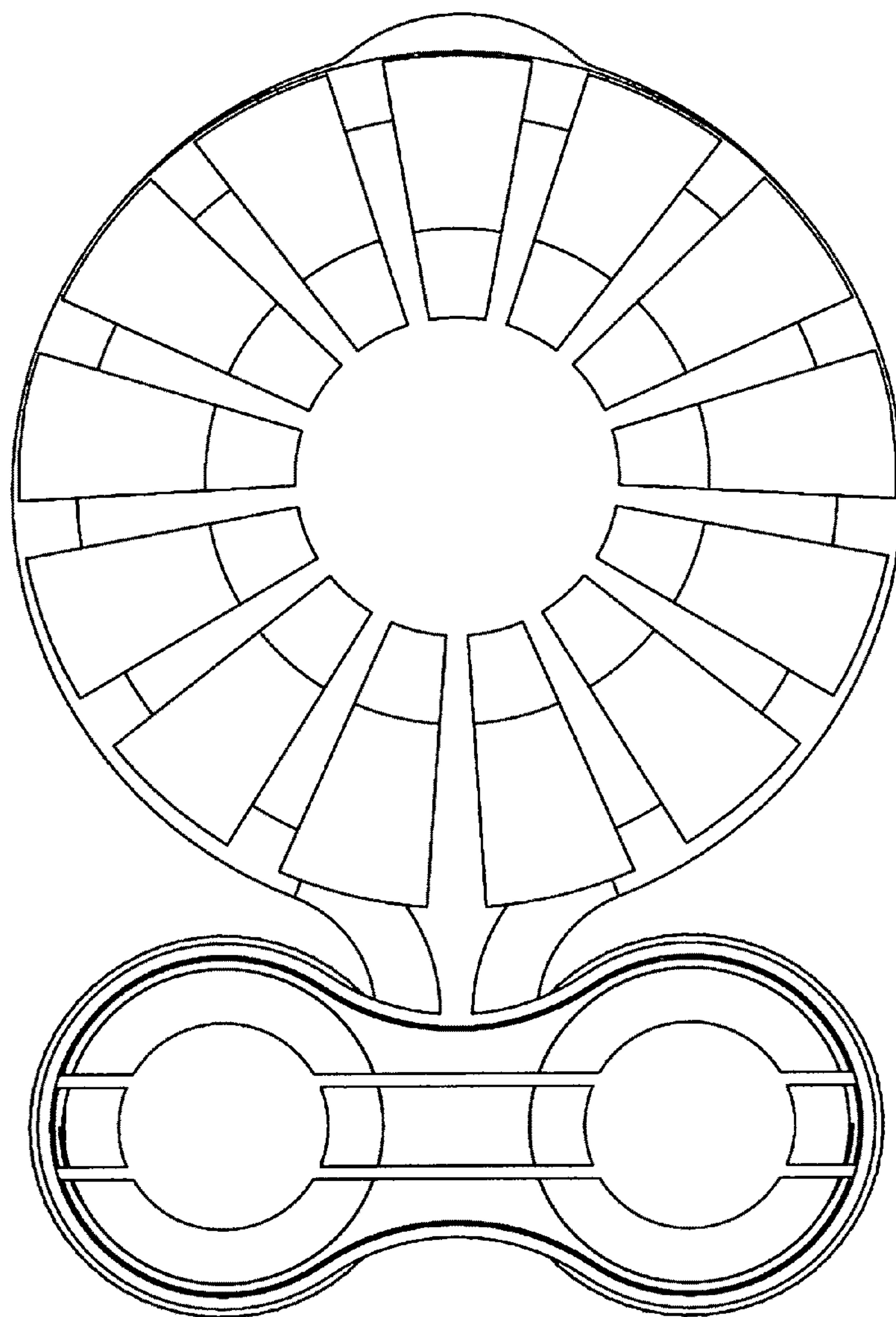


FIG. 7