



US00D756116S

(12) **United States Design Patent**
McDaniel

(10) **Patent No.:** **US D756,116 S**

(45) **Date of Patent:** **** May 17, 2016**

(54) **WALLET**

(71) Applicant: **Laura McDaniel**, Indianapolis, IN (US)

(72) Inventor: **Laura McDaniel**, Indianapolis, IN (US)

(**) Term: **14 Years**

(21) Appl. No.: **29/509,543**

(22) Filed: **Nov. 18, 2014**

(51) **LOC (10) Cl.** **03-01**

(52) **U.S. Cl.**
USPC **D3/247**

(58) **Field of Classification Search**
USPC D3/247, 249–253
CPC A45C 1/06; A45C 3/08
See application file for complete search history.

(56) **References Cited**

U.S. PATENT DOCUMENTS

D175,071 S *	7/1955	Griffith	D3/250
D342,829 S *	1/1994	Mitchell	D3/253
D372,359 S *	8/1996	Tytula	D3/250
D703,433 S *	4/2014	Morszeck	D3/247
D720,530 S *	1/2015	Abramson	D3/247

* cited by examiner

Primary Examiner — Holly Baynham

(74) *Attorney, Agent, or Firm* — Quickpatents, LLC; Kevin Prince

(57) **CLAIM**

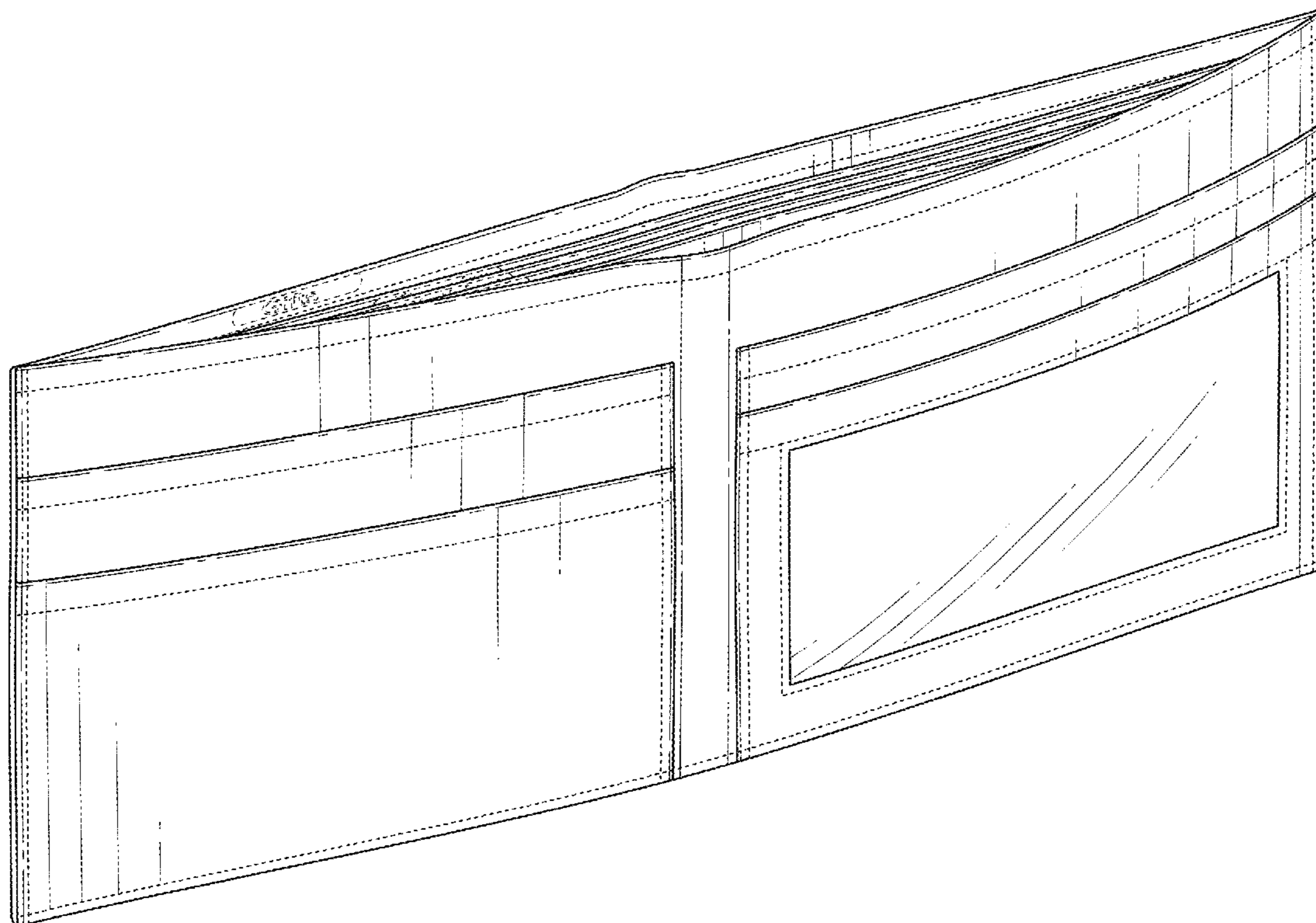
I claim the ornamental design for a wallet, as shown and described.

DESCRIPTION

FIG. 1 is a perspective view of a wallet, showing my new design in an unfolded configuration;
FIG. 2 is a front elevational view of FIG. 1;
FIG. 3 is a rear elevational view of FIG. 1;
FIG. 4 is a left-side elevational view of FIG. 1;
FIG. 5 is a right-side elevational view of FIG. 1;
FIG. 6 is a top plan view of FIG. 1;
FIG. 7 is a bottom plan view of FIG. 1; and,
FIG. 8 is a perspective view thereof, illustrated in a folded configuration.

The broken lines showing cash pocket labels in FIG. 1 depict environmental matter and form no part of the claimed design. The remaining broken lines represent stitching, and are part of the claimed design.

1 Claim, 6 Drawing Sheets



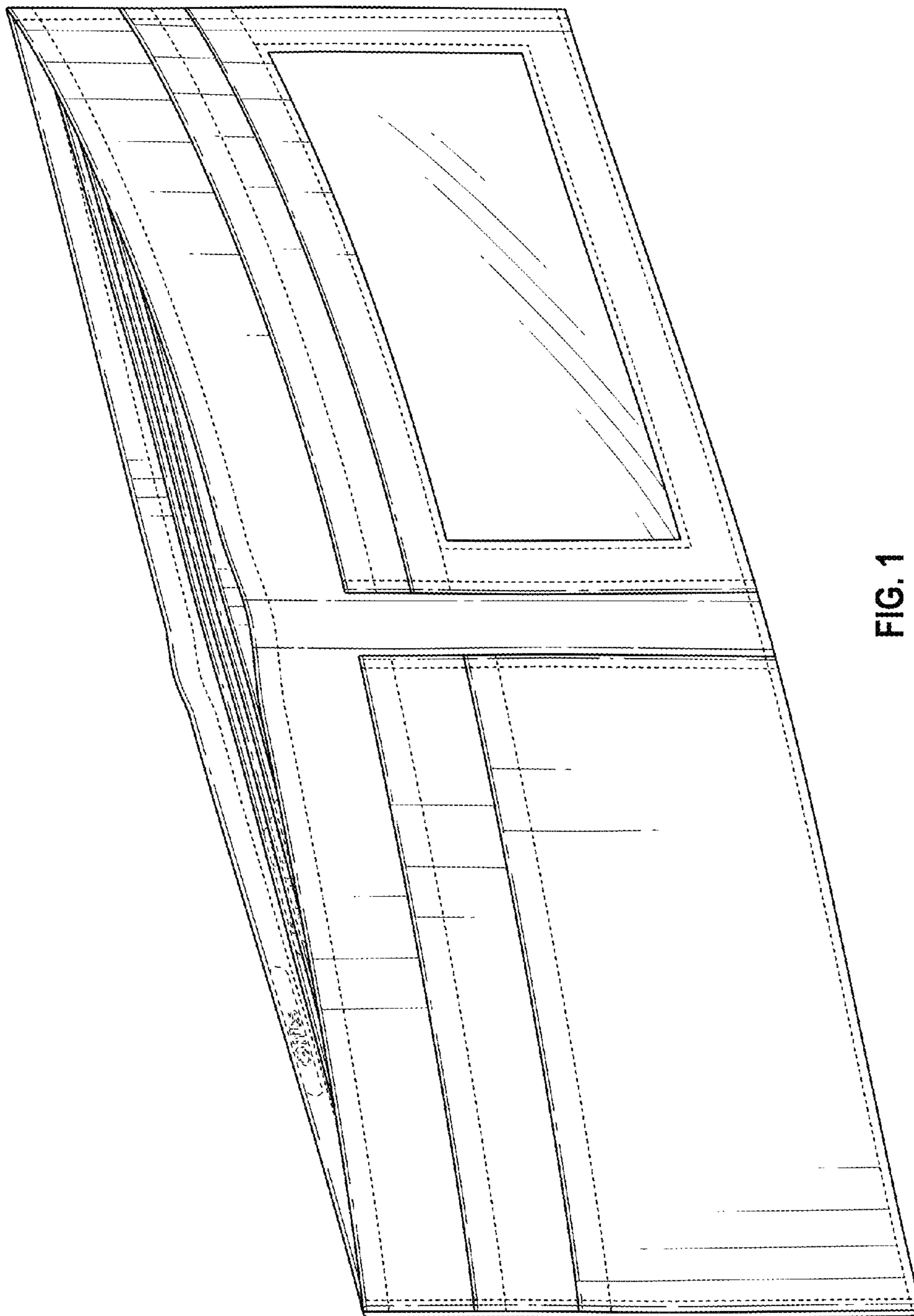


FIG. 1

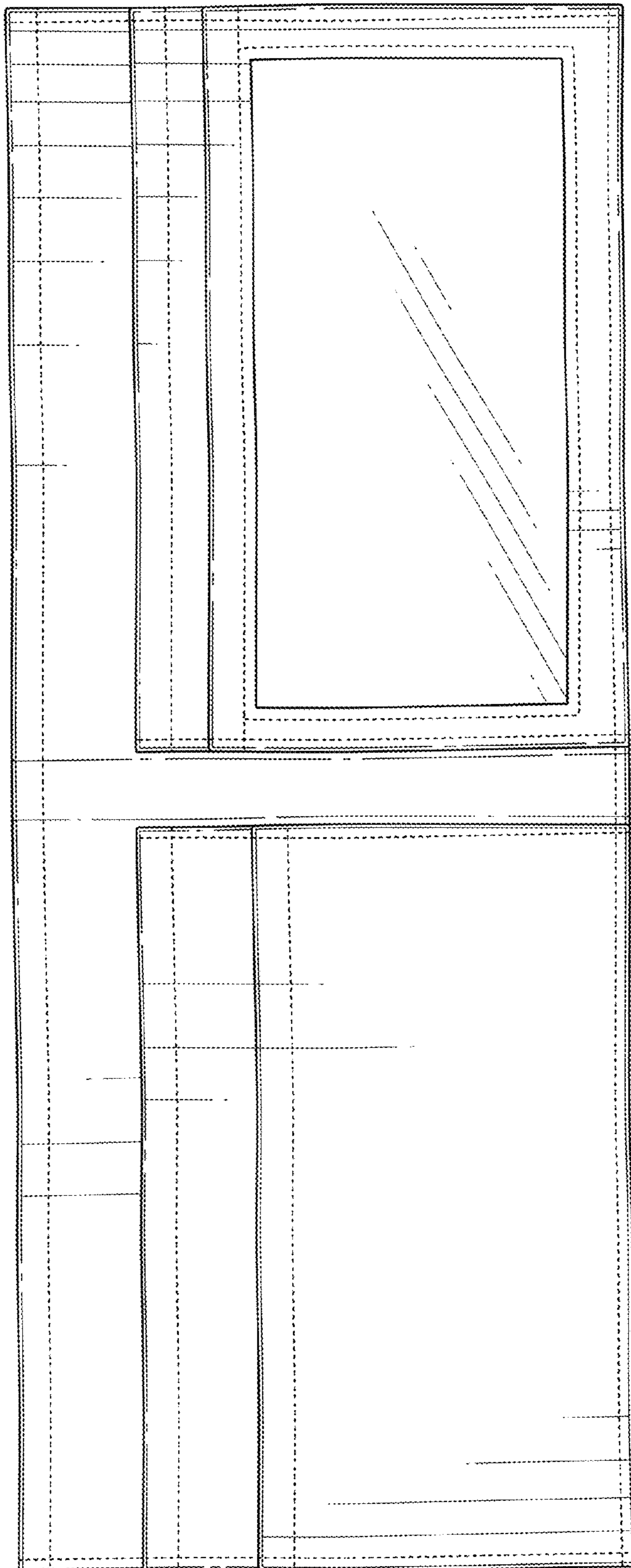


FIG. 2

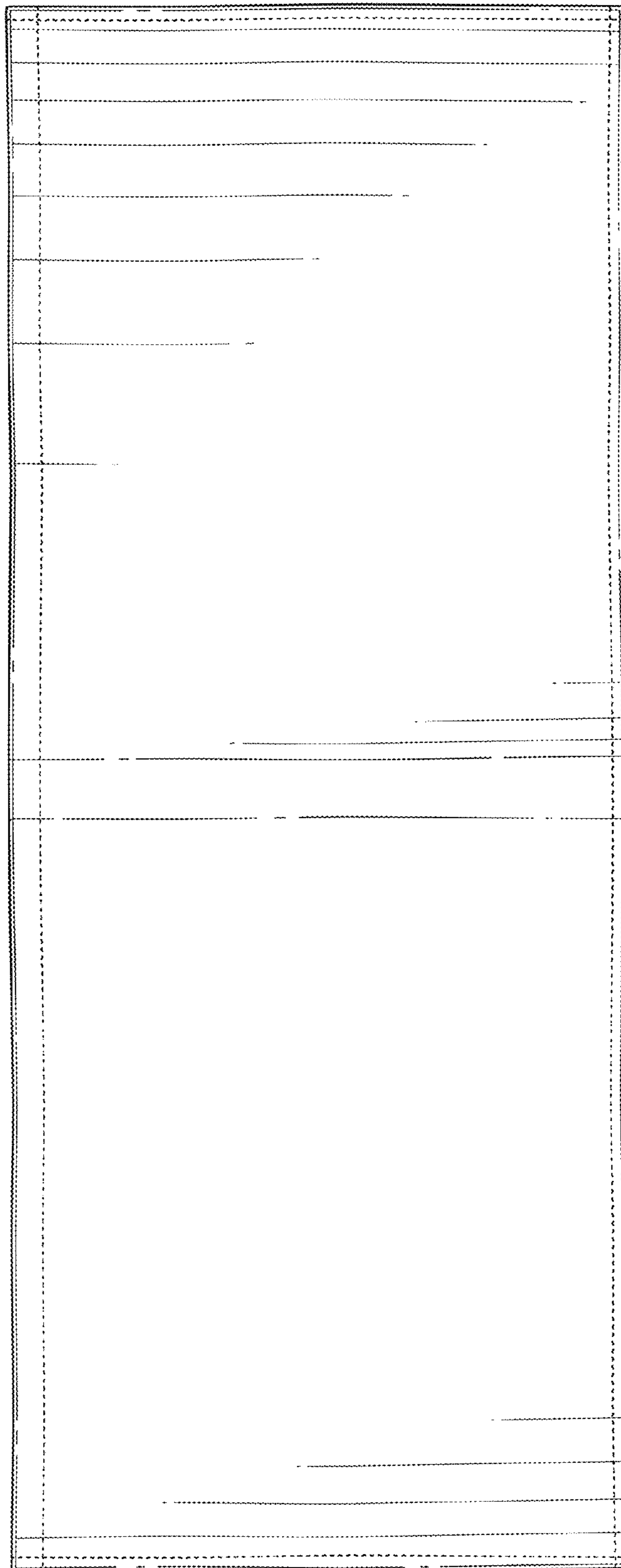


FIG. 3

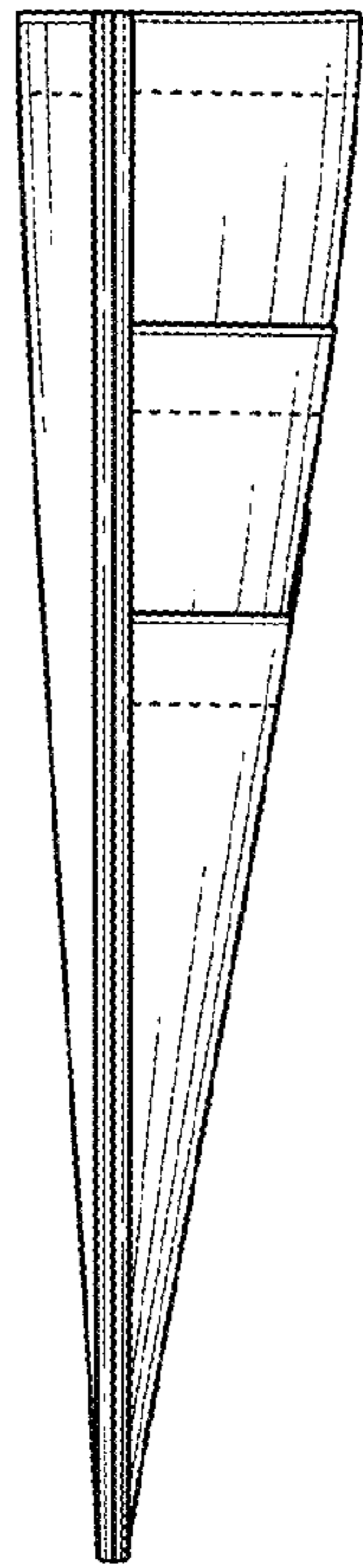


FIG. 4

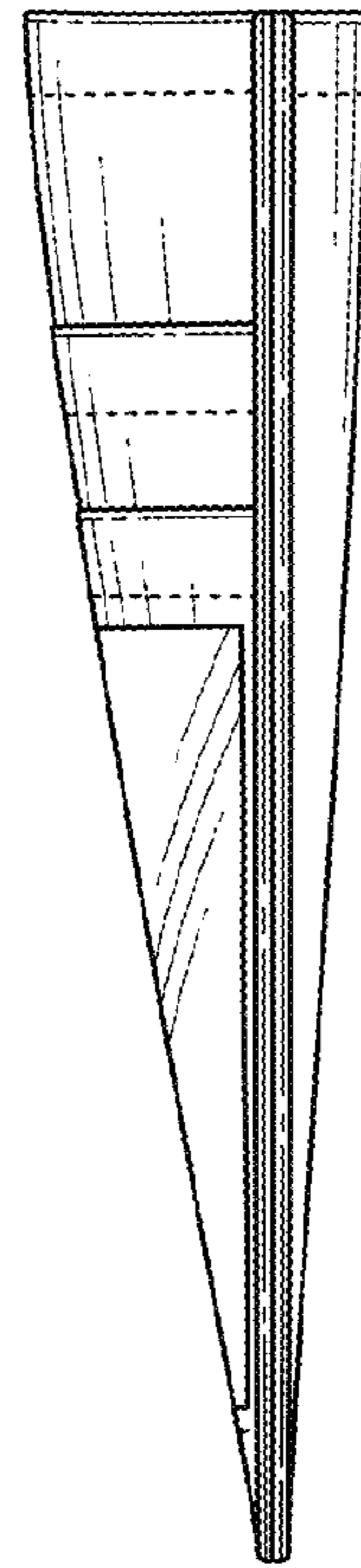


FIG. 5

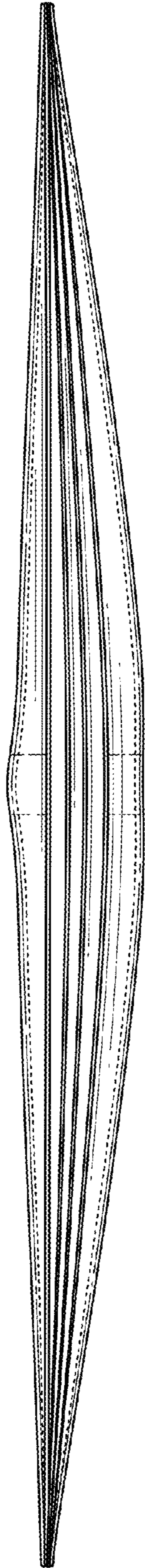


FIG. 6

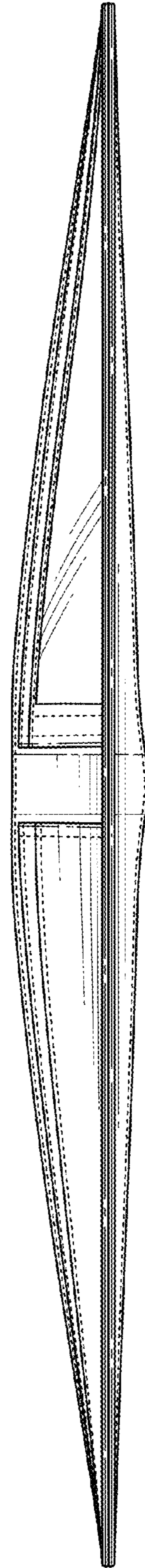


FIG. 7

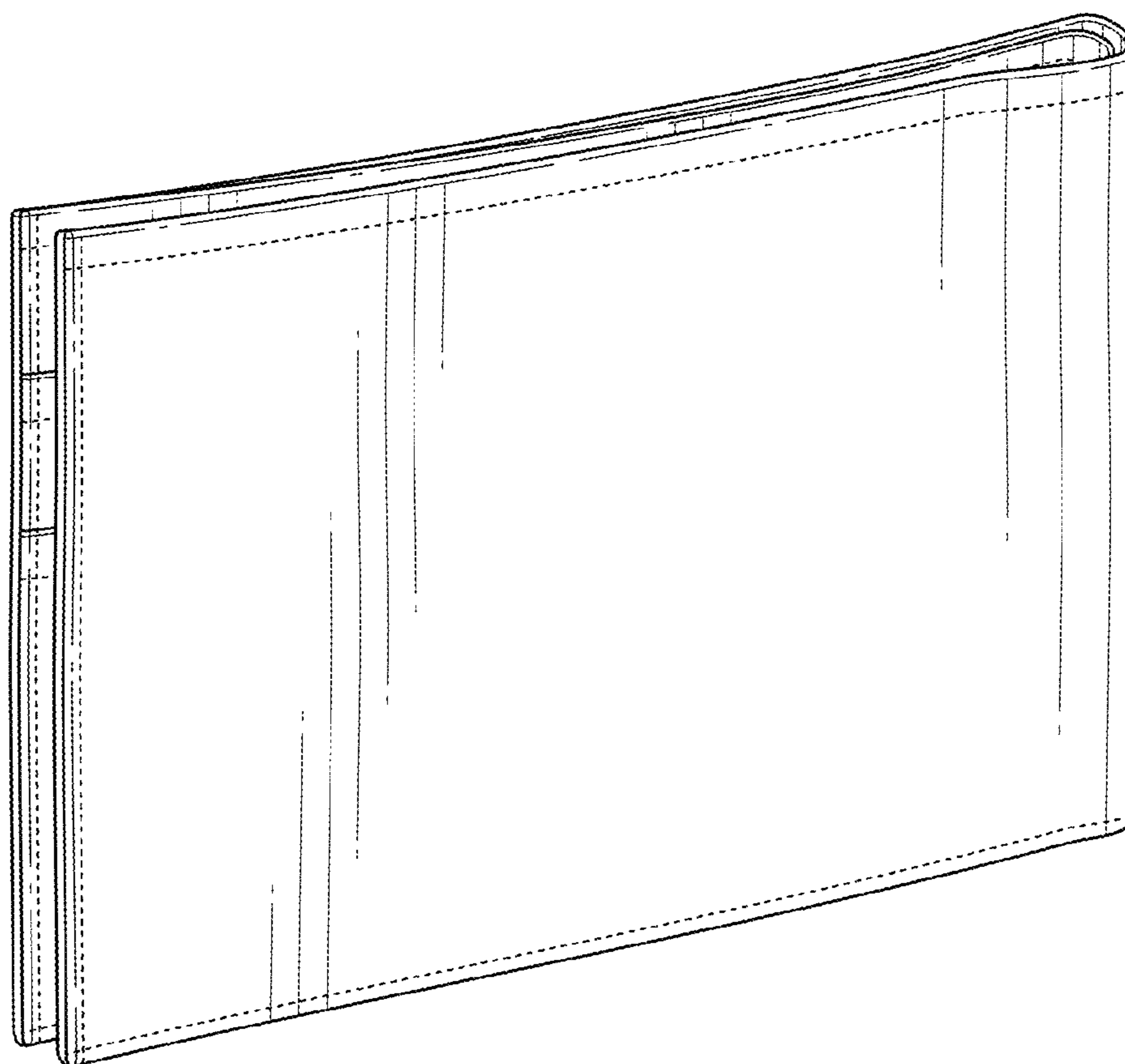


FIG. 8