



US00D756112S

(12) **United States Design Patent**
Slimane

(10) **Patent No.:** **US D756,112 S**

(45) **Date of Patent:** **** May 17, 2016**

(54) **HANDBAG**

(71) Applicant: **YVES SAINT LAURENT**, Paris (FR)

(72) Inventor: **Hedi Slimane**, Los Angeles, CA (US)

(73) Assignee: **YVES SAINT LAURENT**, Paris (FR)

(**) Term: **14 Years**

(21) Appl. No.: **29/512,488**

(22) Filed: **Dec. 19, 2014**

(51) **LOC (10) Cl.** **03-01**

(52) **U.S. Cl.**

USPC **D3/232**

(58) **Field of Classification Search**

USPC D3/232, 233, 240-243, 245-246

CPC A45C 1/024; A45C 3/06

See application file for complete search history.

(56) **References Cited**

U.S. PATENT DOCUMENTS

D368,367 S * 4/1996 Sharp D3/226

D597,306 S * 8/2009 Hong D3/245

D630,431 S * 1/2011 Gonzalez D3/232

D641,976 S * 7/2011 Gonzalez D3/232

D657,139 S * 4/2012 Gerbi D3/232

D657,554 S * 4/2012 Dolce D3/232

D657,555 S * 4/2012 Gerbi D3/232

D699,433 S * 2/2014 Kuster D3/232

* cited by examiner

Primary Examiner — Holly Baynham

(74) *Attorney, Agent, or Firm* — Donald J. Ranft; Kristen A. Mogavero; Collen IP

(57) **CLAIM**

The ornamental design for a handbag, as shown.

DESCRIPTION

FIG. 1 is a top perspective view of a handbag showing my new design;

FIG. 2 is a bottom perspective view thereof;

FIG. 3 is a top view thereof;

FIG. 4 is a bottom view thereof;

FIG. 5 is a left side view thereof;

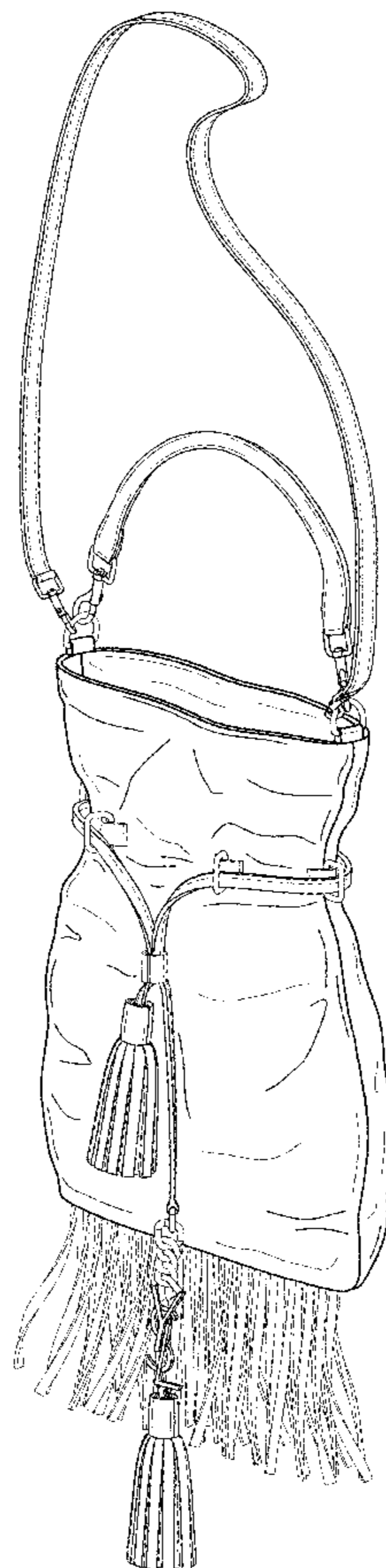
FIG. 6 is a right side view thereof;

FIG. 7 is a front view thereof; and,

FIG. 8 is a rear view thereof.

The broken lines representing stitching on the strap are part of the claimed design.

1 Claim, 6 Drawing Sheets



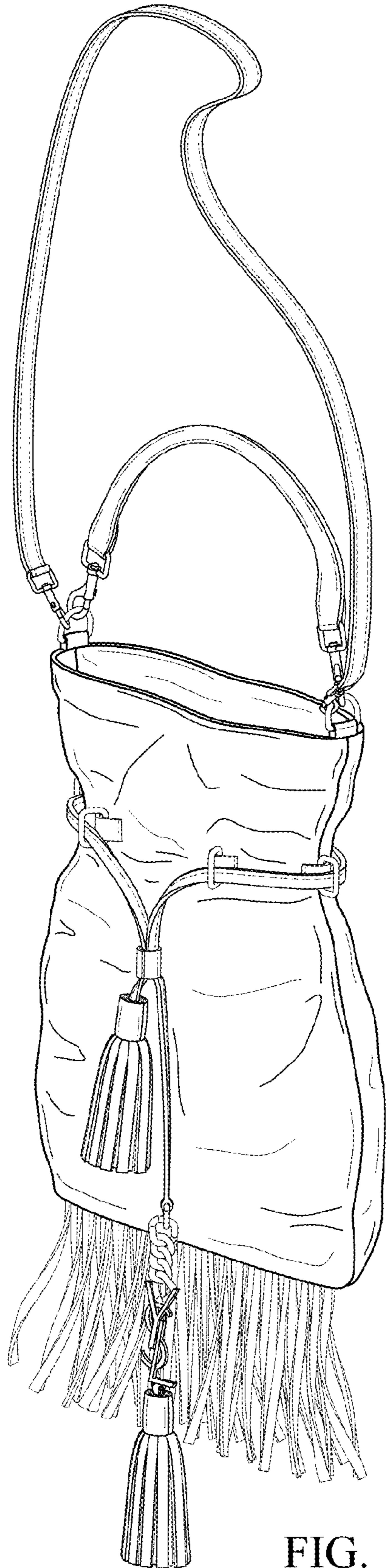


FIG. 1

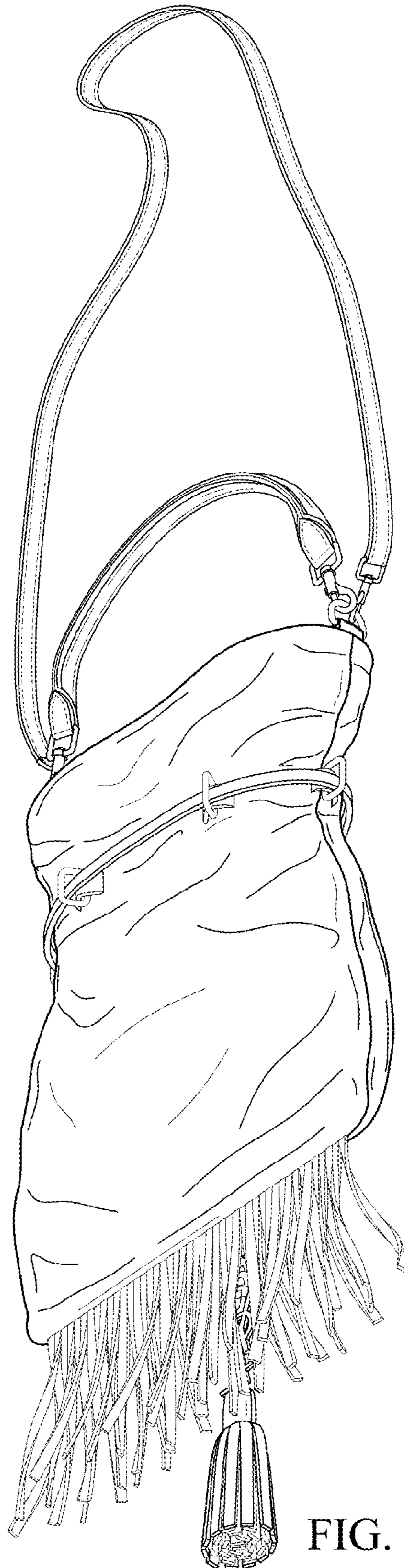


FIG. 2

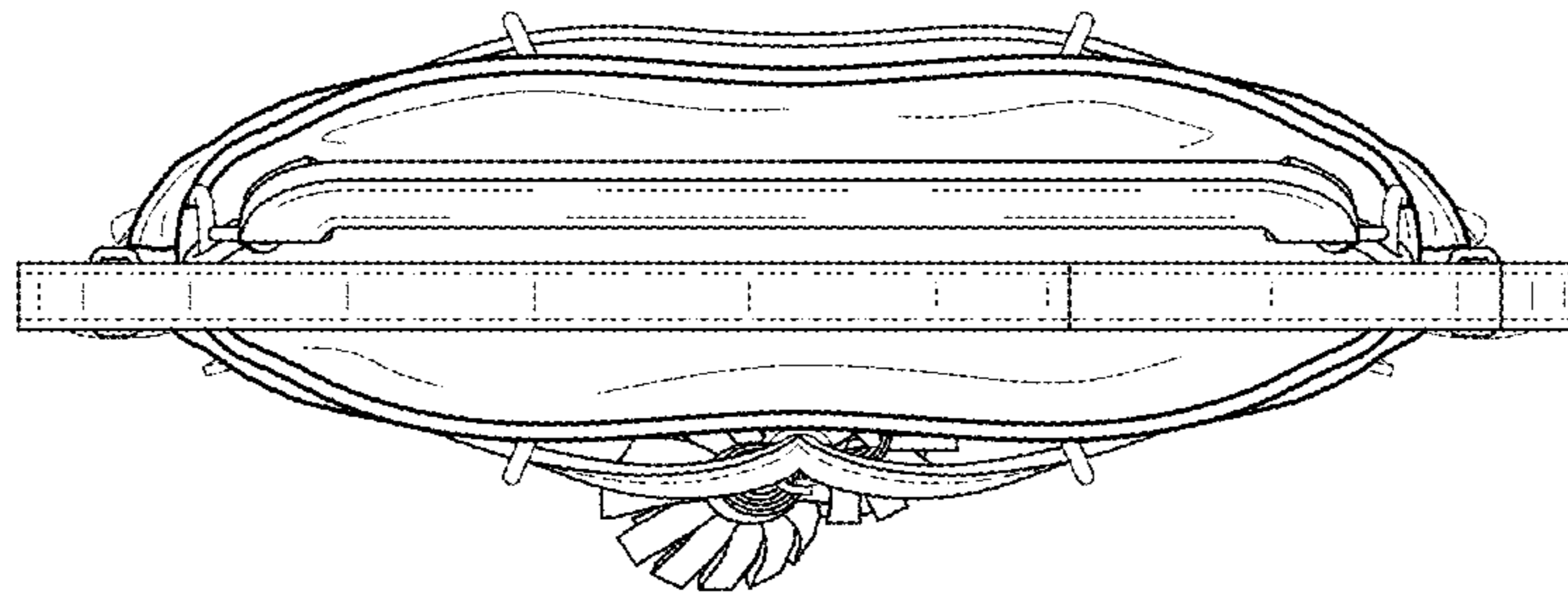


FIG. 3

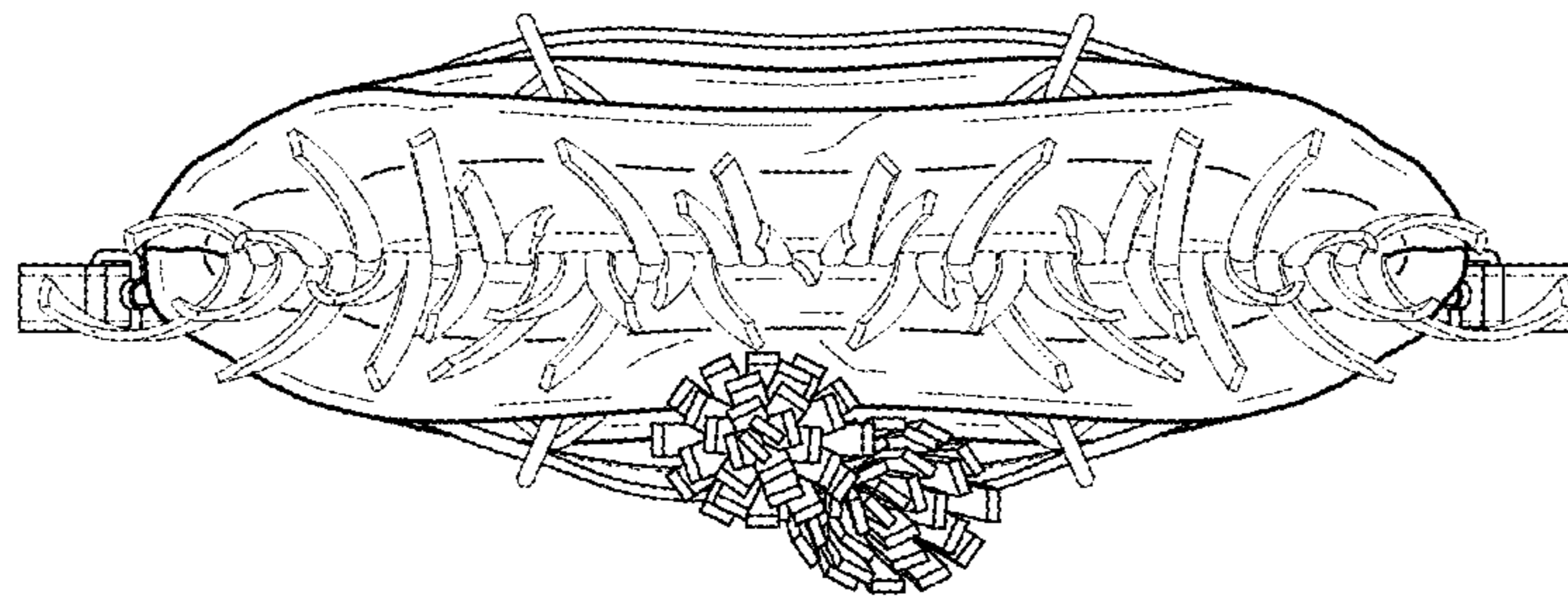


FIG. 4

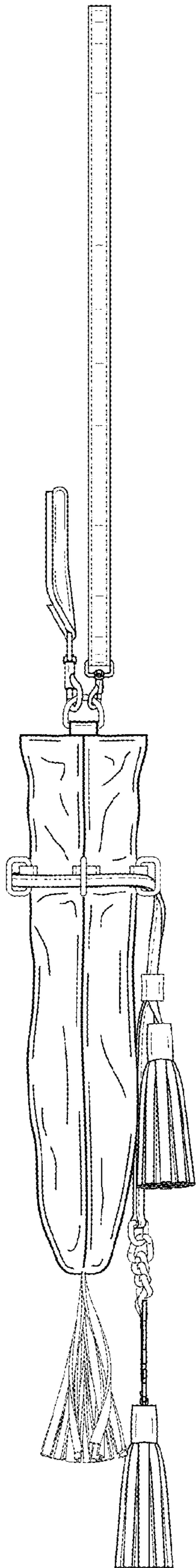


FIG. 5

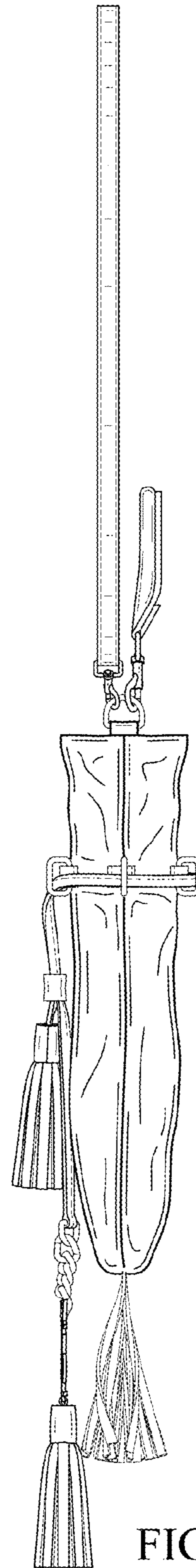


FIG. 6

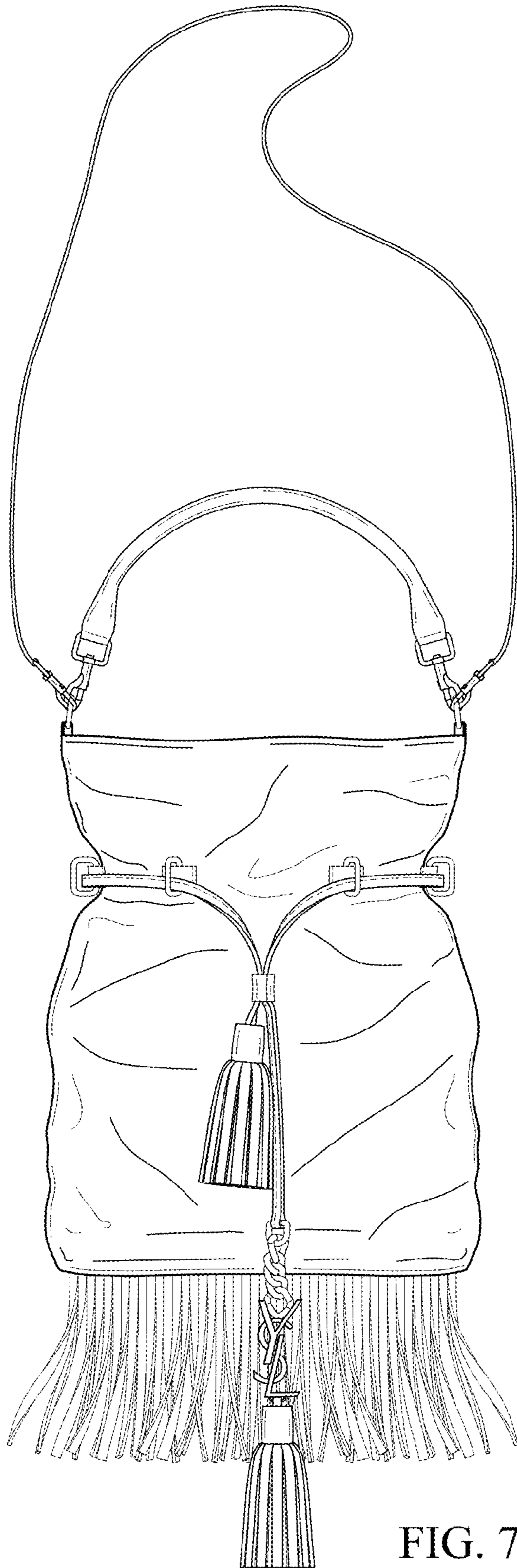


FIG. 7



FIG. 8