



US00D756107S

(12) **United States Design Patent**
Votel et al.

(10) **Patent No.:** **US D756,107 S**
(45) **Date of Patent:** **** May 17, 2016**

(54) **WRIST LANYARD**
(71) Applicant: **Tenacious Holdings, Inc.**, St. Paul, MN (US)
(72) Inventors: **Thomas Votel**, Sunfish Lake, MN (US);
Nate Bohmbach, Lakeville, MN (US);
Brent Velenchenko, St. Paul, MN (US)
(73) Assignee: **Tenacious Holdings, Inc.**, St. Paul, MN (US)

(**) Term: **14 Years**

(21) Appl. No.: **29/519,276**

(22) Filed: **Mar. 4, 2015**

(51) **LOC (10) Cl.** **03-01**

(52) **U.S. Cl.**
USPC **D3/228**

(58) **Field of Classification Search**
USPC D3/228, 215; 24/3.2, 3.7, 3.13;
224/219-222, 254, 901.4, 901.8
CPC A45F 5/02; A45F 2005/006; A45F
2005/008; A45F 2200/057; A45F 5/004;
A45F 5/021; A45F 2003/006; A45F 3/14;
A45B 2009/025; A63G 11/222; A45C 13/20;
A45C 13/30

See application file for complete search history.

(56) **References Cited**

U.S. PATENT DOCUMENTS

2,812,123 A 11/1957 Girton
2,994,300 A 8/1961 Grahling
4,041,562 A 8/1977 Nealy
4,728,123 A 3/1988 Kassal et al.
D305,961 S 2/1990 Cobb

5,082,156 A 1/1992 Braun
D377,862 S * 2/1997 Moore 224/220
5,815,977 A 10/1998 Hill, Jr.
6,095,093 A 8/2000 Kisko et al.
6,168,556 B1 1/2001 Saavedra
6,216,319 B1 * 4/2001 Elkins A45F 5/00
224/221
6,487,756 B1 12/2002 Vidal, Jr.
6,502,862 B1 1/2003 Lenhart
6,530,131 B1 3/2003 Hopkins
6,702,328 B2 3/2004 Malleis et al.
8,210,406 B2 * 7/2012 Moreau A45F 5/00
224/221
9,232,849 B2 * 1/2016 Moreau A45F 5/00
2003/0213823 A1 11/2003 Papovitch
2007/0145087 A1 6/2007 Mikesell et al.
2009/0127302 A1 5/2009 Pruitt
2012/0267403 A1 10/2012 Ward, Jr.

* cited by examiner

Primary Examiner — Catheri Oliver-Garcia

(74) *Attorney, Agent, or Firm* — Skaar Ulbrich Macari, PA

(57) **CLAIM**

We claim the ornamental design for the wrist lanyard, as shown and described.

DESCRIPTION

FIG. 1 is a perspective of our wrist lanyard invention.

FIG. 2 is a front elevation view thereof.

FIG. 3 is a rear elevation view thereof.

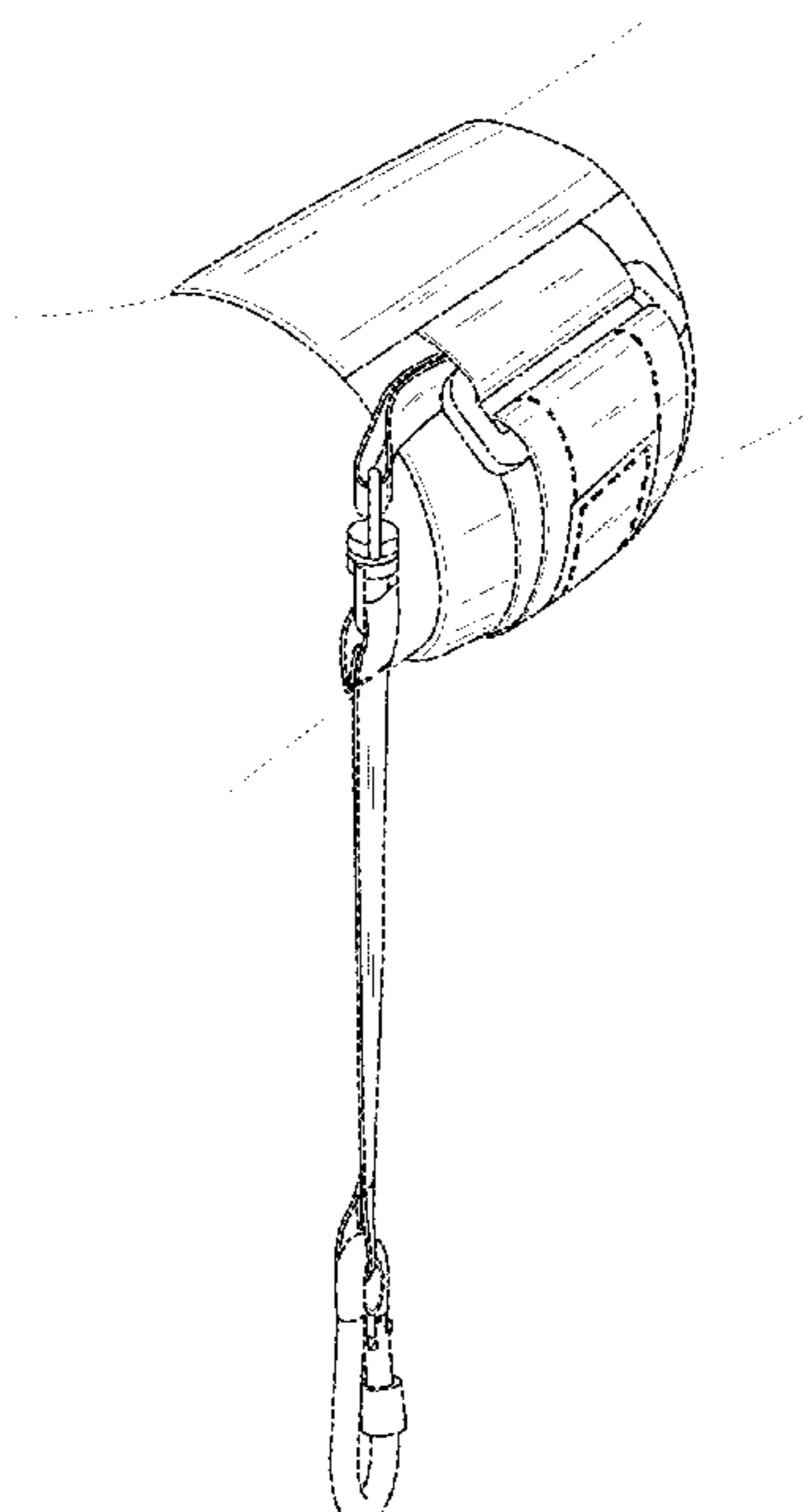
FIG. 4 is a left side elevation view thereof.

FIG. 5 is a right side elevation view thereof; and,

FIG. 6 is a perspective view thereof.

The broken lines on the wrist lanyard represent stitching, and are intended to be part of the claimed design. All other broken lines depict environmental structure and form no part of the claimed design.

1 Claim, 4 Drawing Sheets



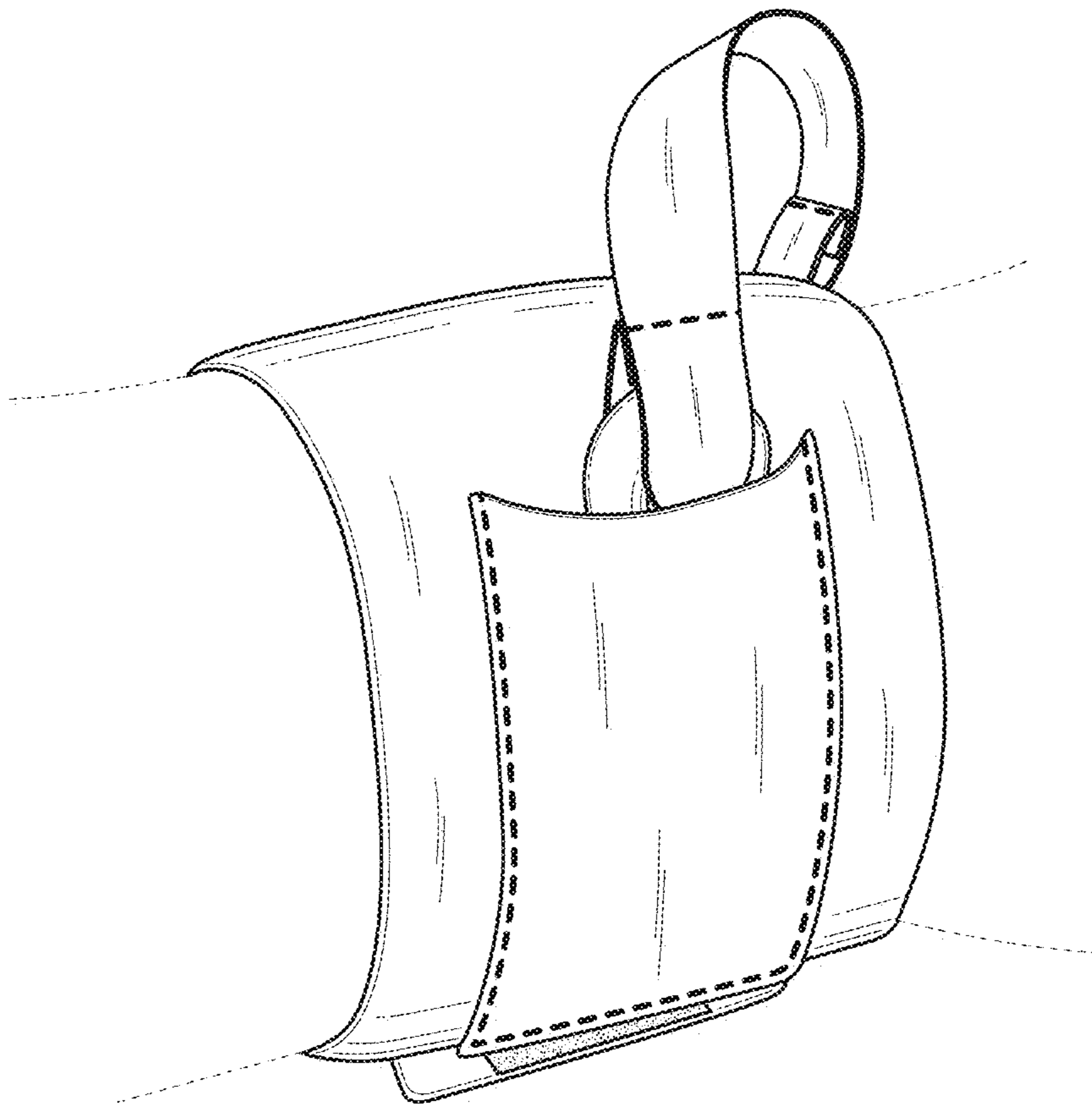


Fig. 1

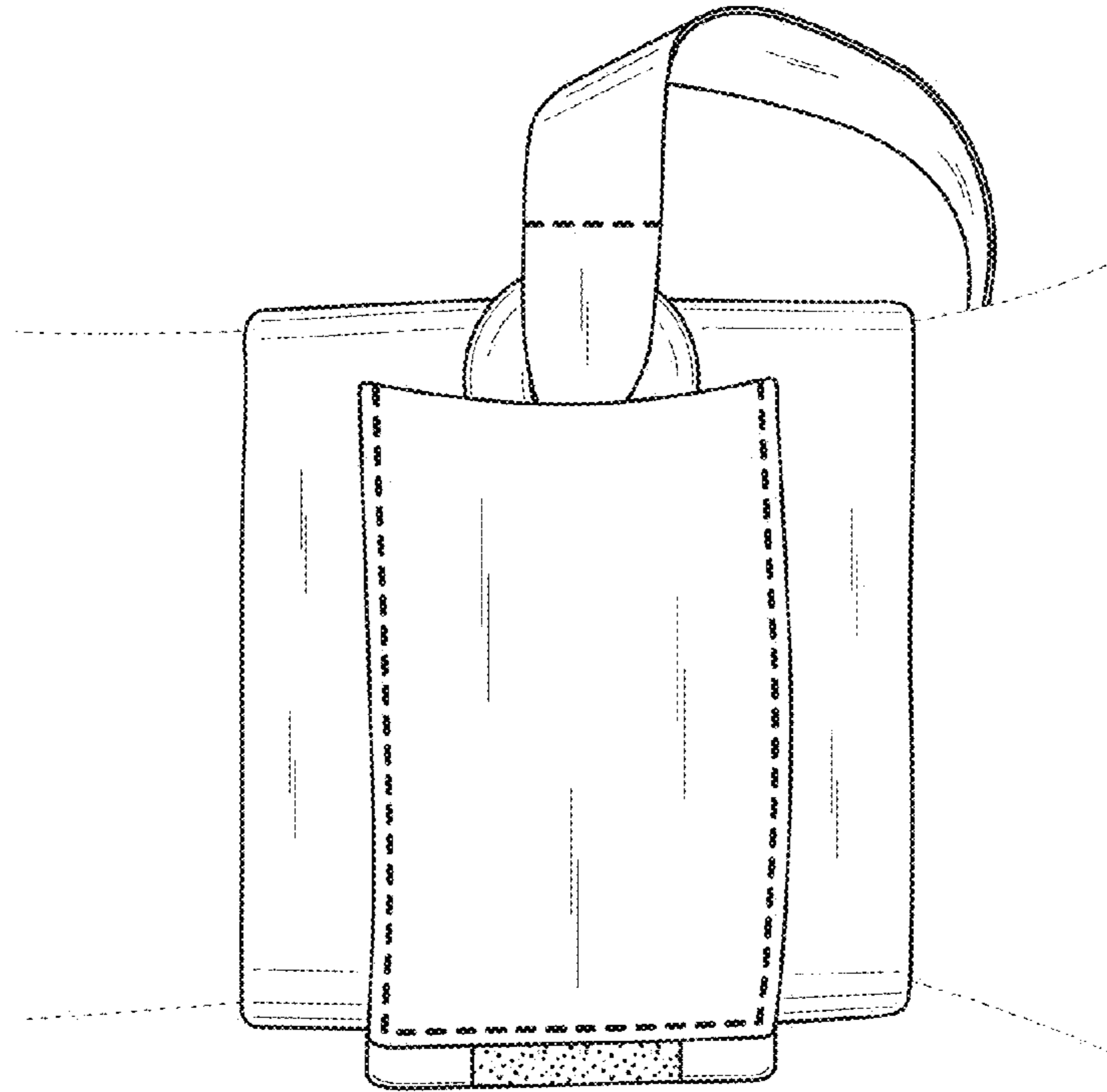


Fig. 2

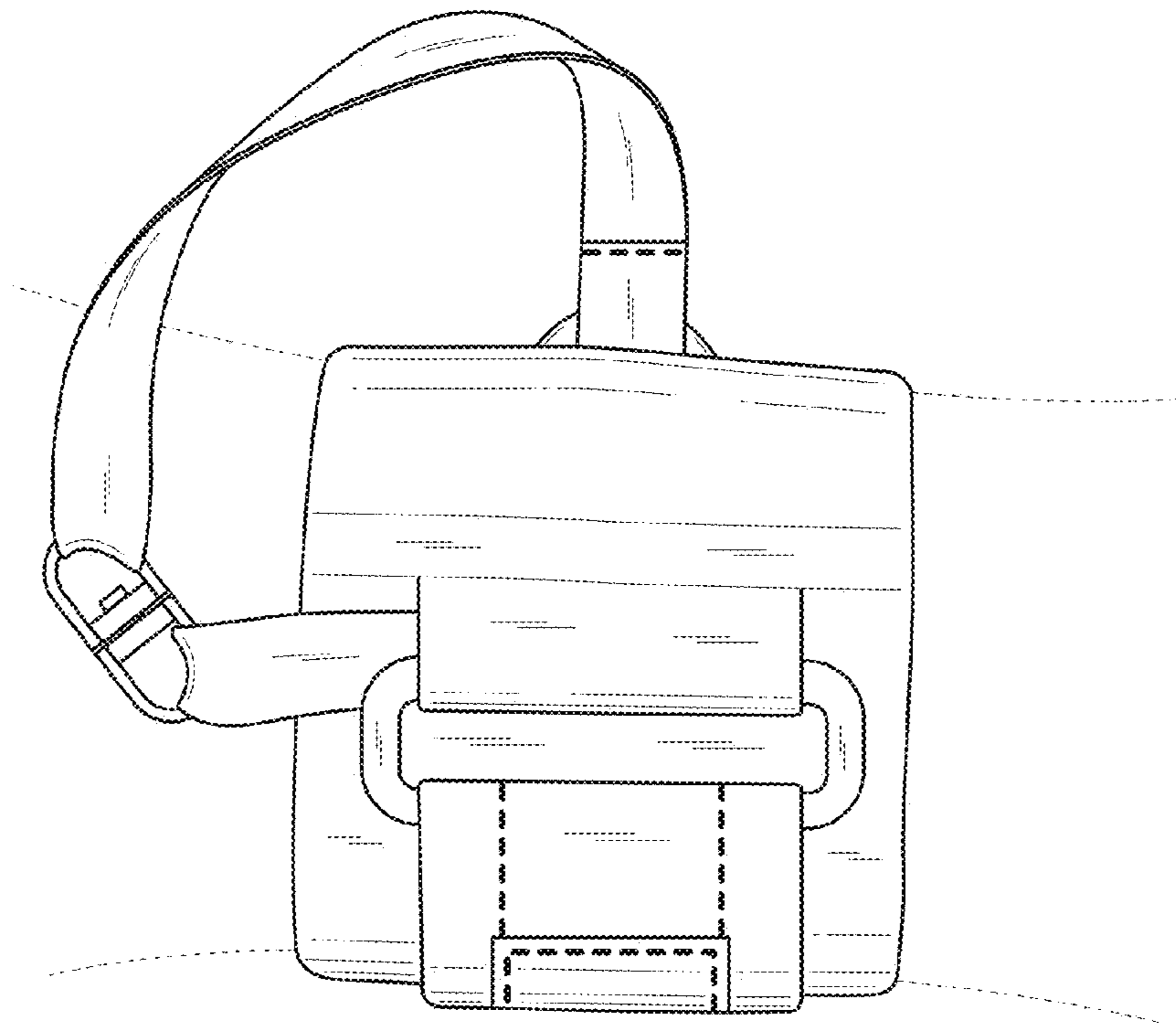


Fig. 3

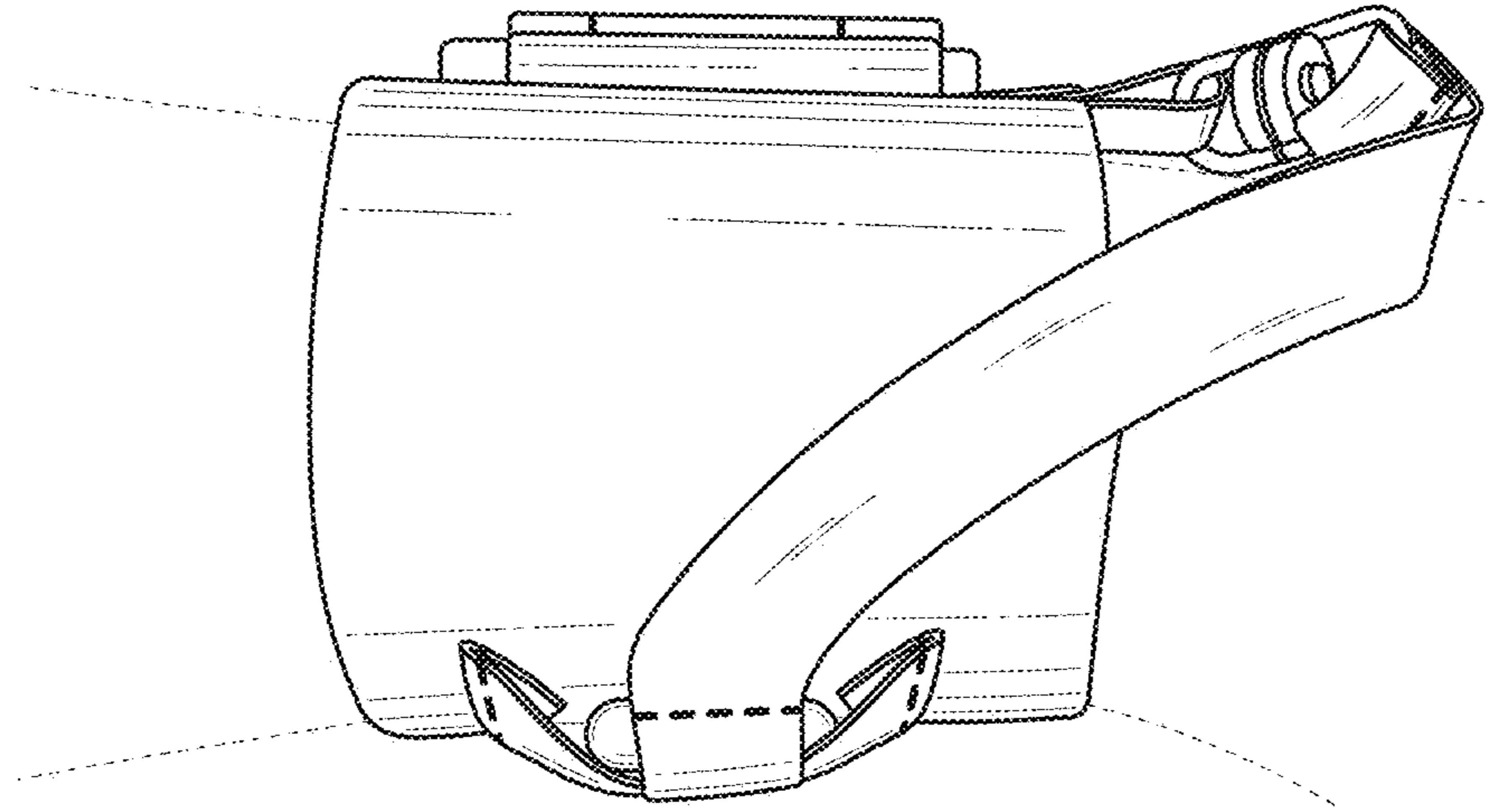


Fig. 4

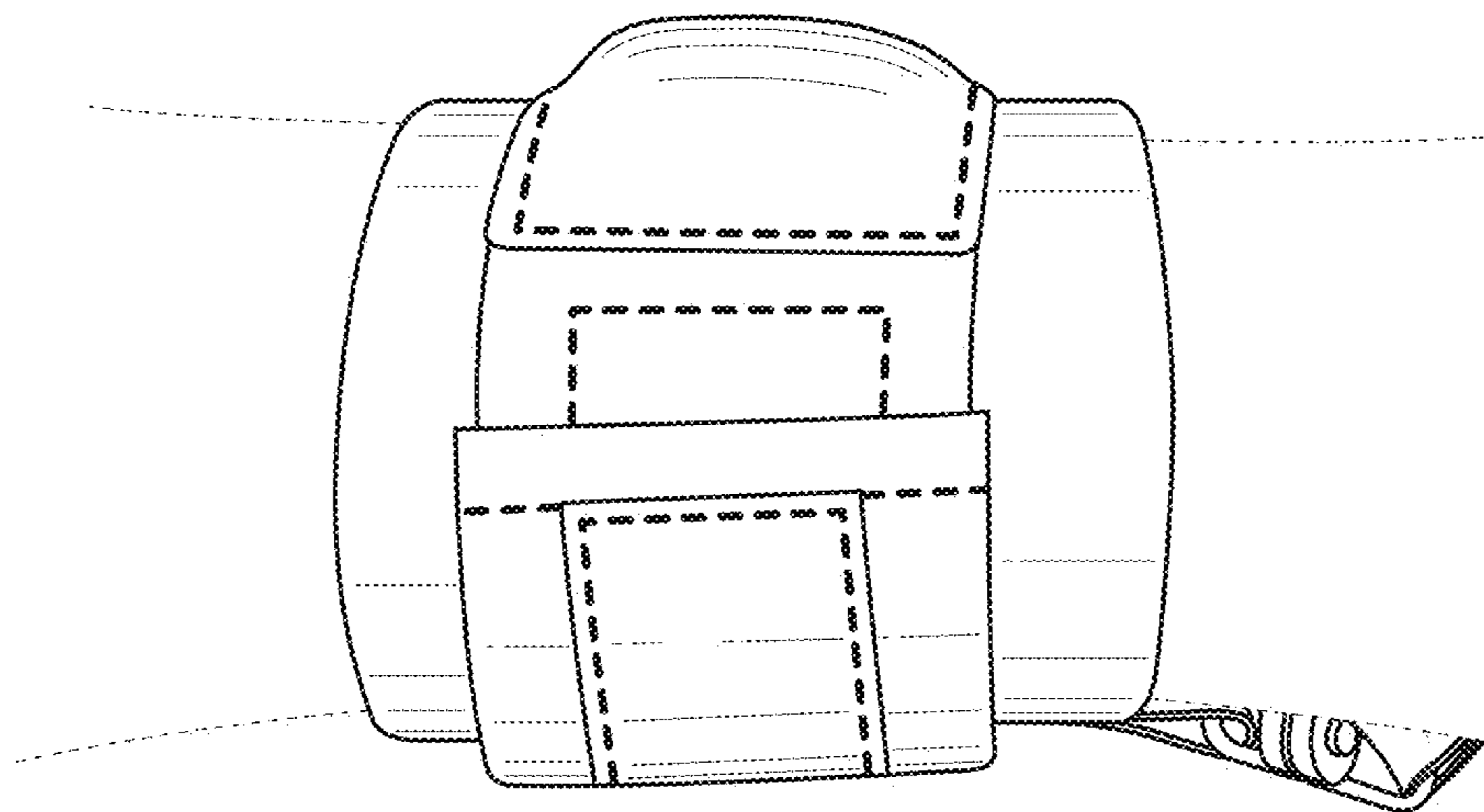


Fig. 5

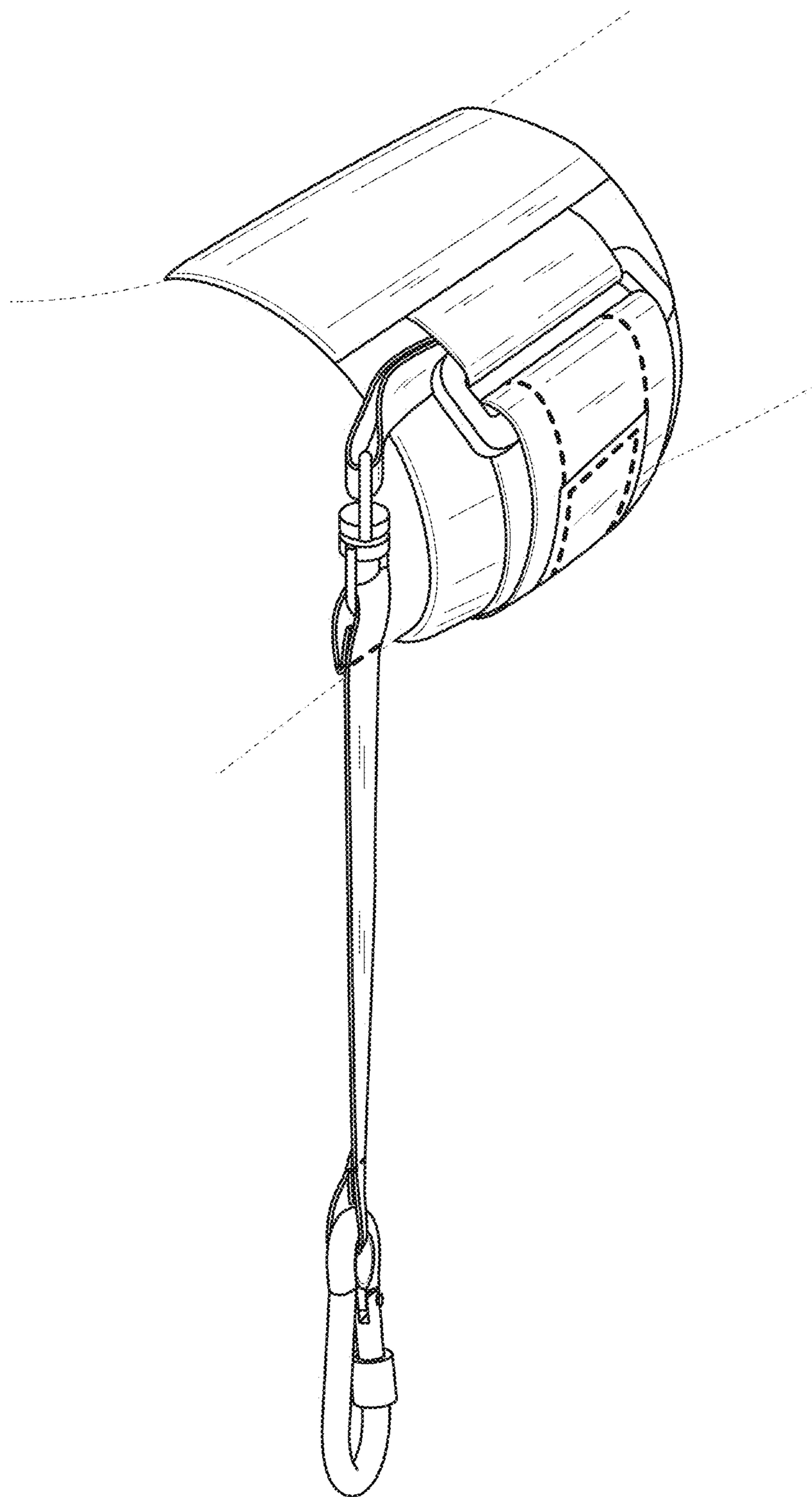


Fig. 6