



US00D756105S

(12) **United States Design Patent**  
**Zhang**

(10) **Patent No.:** **US D756,105 S**

(45) **Date of Patent:** **\*\* \*May 17, 2016**

(54) **SMART PHONE CASE WITH A CREDIT CARD SLOT**

(71) Applicant: **Yu Long Zhang**, Brooklyn, NY (US)

(72) Inventor: **Yu Long Zhang**, Brooklyn, NY (US)

(\*) Notice: This patent is subject to a terminal disclaimer.

(\*\*) Term: **14 Years**

(21) Appl. No.: **29/511,490**

(22) Filed: **Dec. 11, 2014**

(51) **LOC (10) Cl.** ..... **03-01**

(52) **U.S. Cl.**  
USPC ..... **D3/218**

(58) **Field of Classification Search**

USPC ..... D3/218-219, 215, 201, 224, 226, 228,  
D3/247-248, 269, 300, 303; 224/240-241,  
224/245, 578, 674, 676-681, 901, 904;  
206/305, 320, 576, 759, 762;  
455/575.1-575.8; D14/248, 253,  
D14/250-251  
CPC ..... A45F 5/00; A45F 5/02; A45F 5/021;  
A45F 5/022; A45F 2005/00; A45F 2005/008;  
A45F 2005/02; A45F 2200/05; A45F  
2200/0516

See application file for complete search history.

(56) **References Cited**

U.S. PATENT DOCUMENTS

D515,807 S *	2/2006	Faillace	.....	D3/218
D561,463 S *	2/2008	Malhotra	.....	D3/218
D692,230 S *	10/2013	Phillips	.....	D3/218
D695,007 S *	12/2013	Zhang	.....	D3/218
D715,536 S *	10/2014	Basmaji	.....	D3/218
D725,380 S *	3/2015	Zhang	.....	D3/218
D725,381 S *	3/2015	Zhang	.....	D3/218

\* cited by examiner

*Primary Examiner* — Catheri Oliver-Garcia

(74) *Attorney, Agent, or Firm* — Gary E. Lambert; David J. Connaughton, Jr.; Lambert & Associates

(57) **CLAIM**

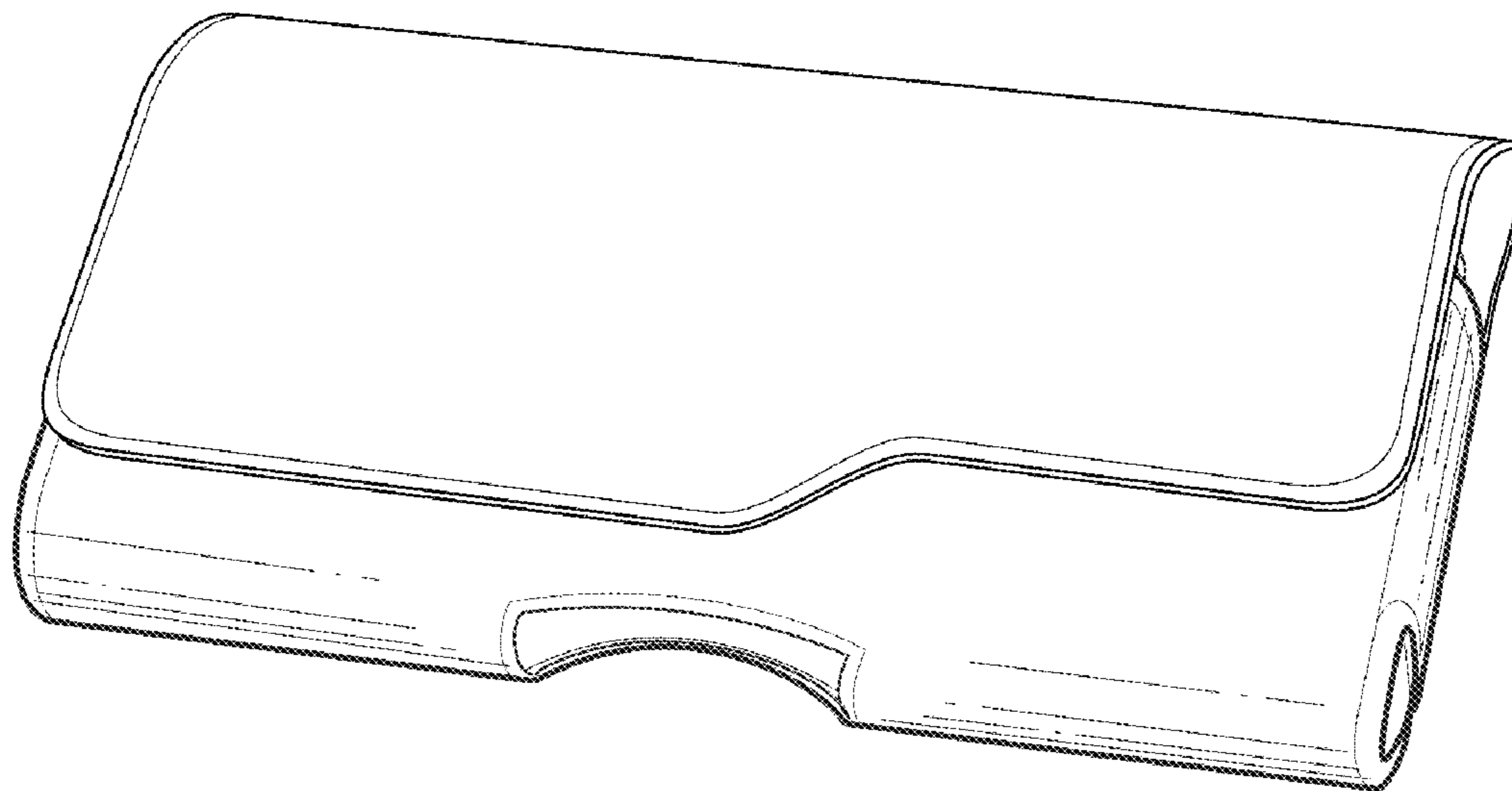
The ornamental design for a smart phone case with a credit card slot, as shown and described.

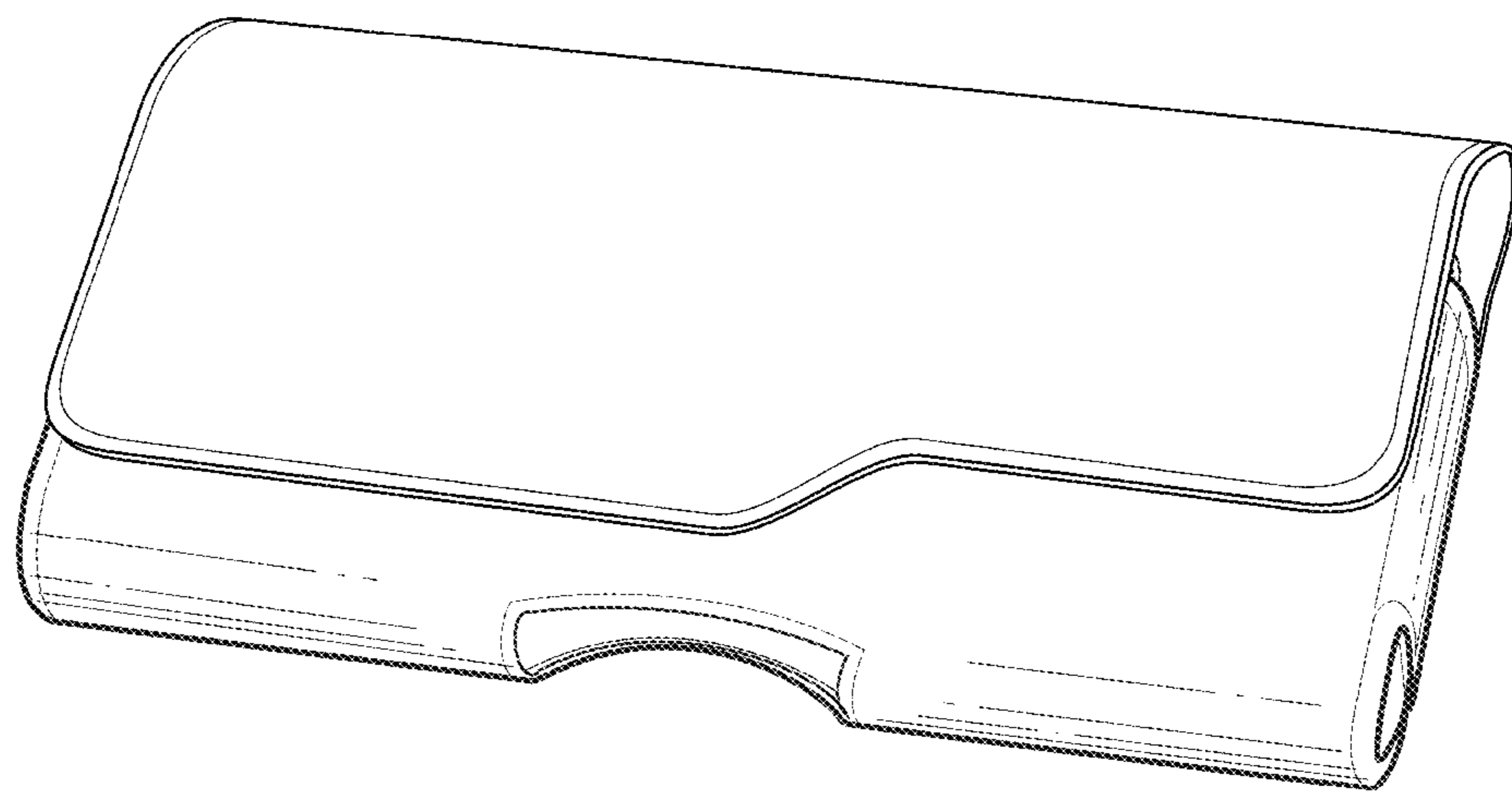
**DESCRIPTION**

FIG. 1 is a front isometric view of the smart phone case with a credit card slot which embodies my design;  
FIG. 2 is a rear isometric view thereof;  
FIG. 3 is a front isometric view thereof, showing the flap open;  
FIG. 4 is a front isometric view thereof, showing the new design in a position of use;  
FIG. 5 is a front view thereof;  
FIG. 6 is a rear view thereof;  
FIG. 7 is a top plane view thereof;  
FIG. 8 is a bottom plane view thereof;  
FIG. 9 is a right side view thereof; and,  
FIG. 10 is a left side view.

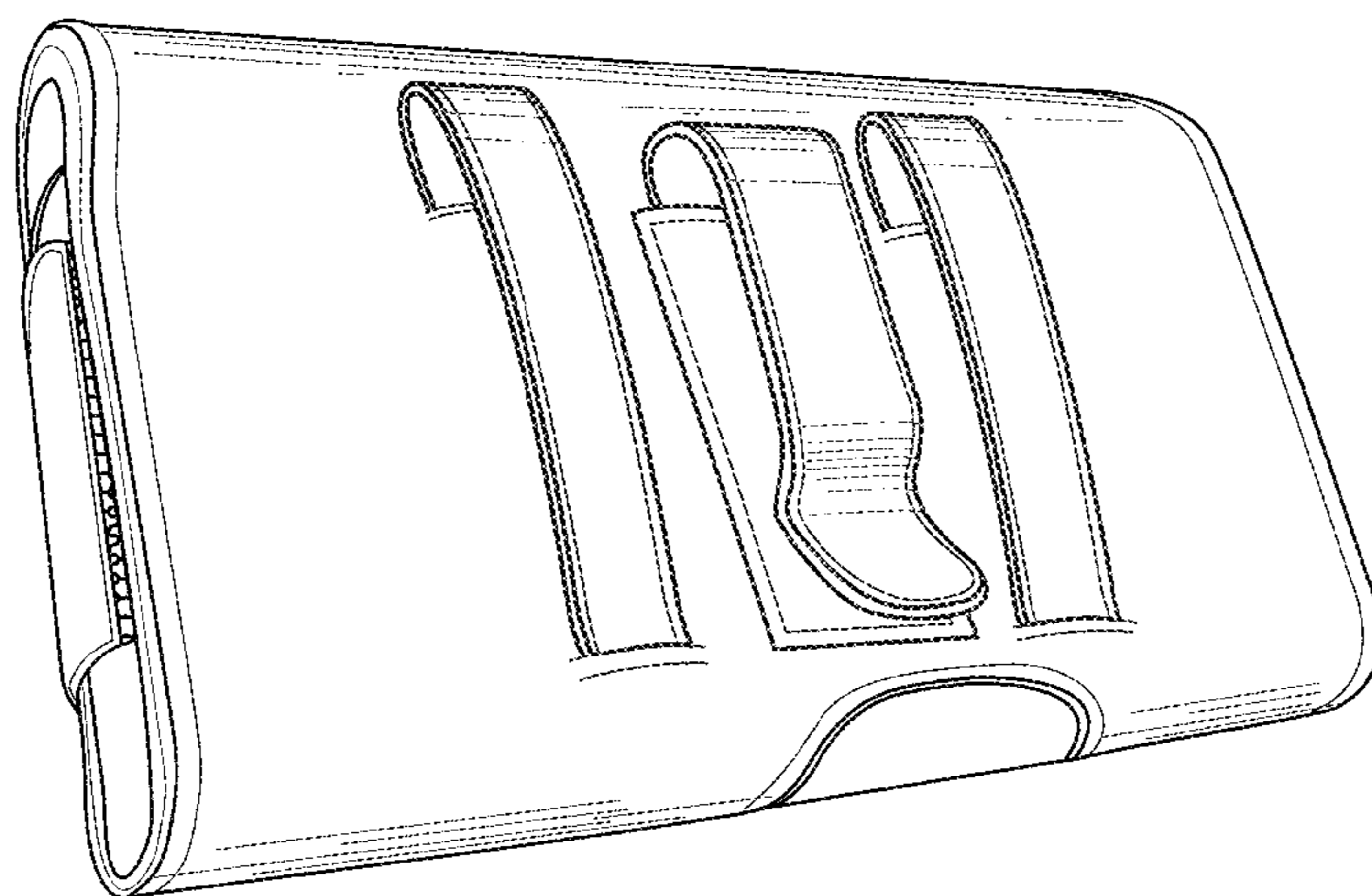
The broken line showing of environment in the drawing is included for the purpose of illustrating only and forms no part of the claimed design.

**1 Claim, 4 Drawing Sheets**

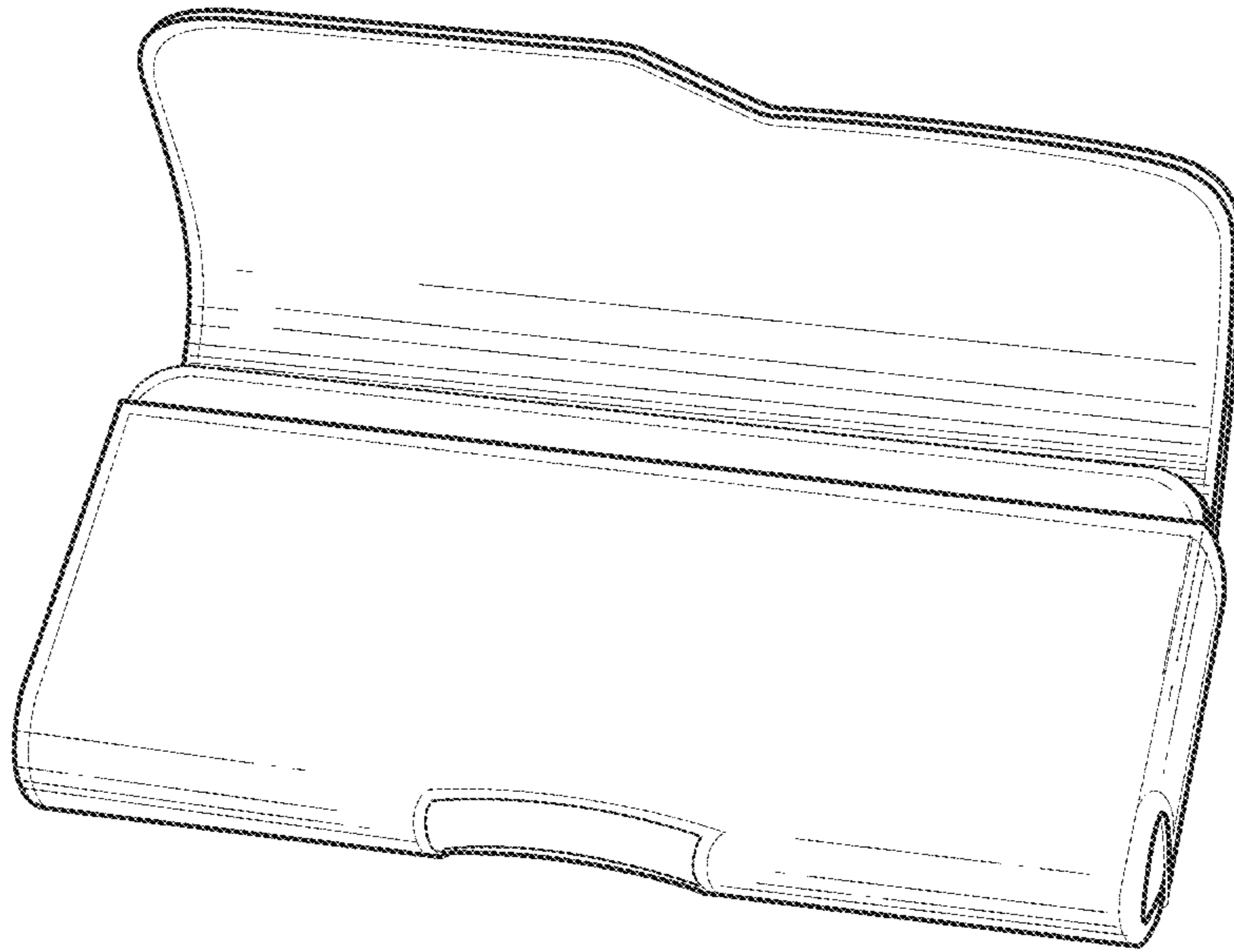




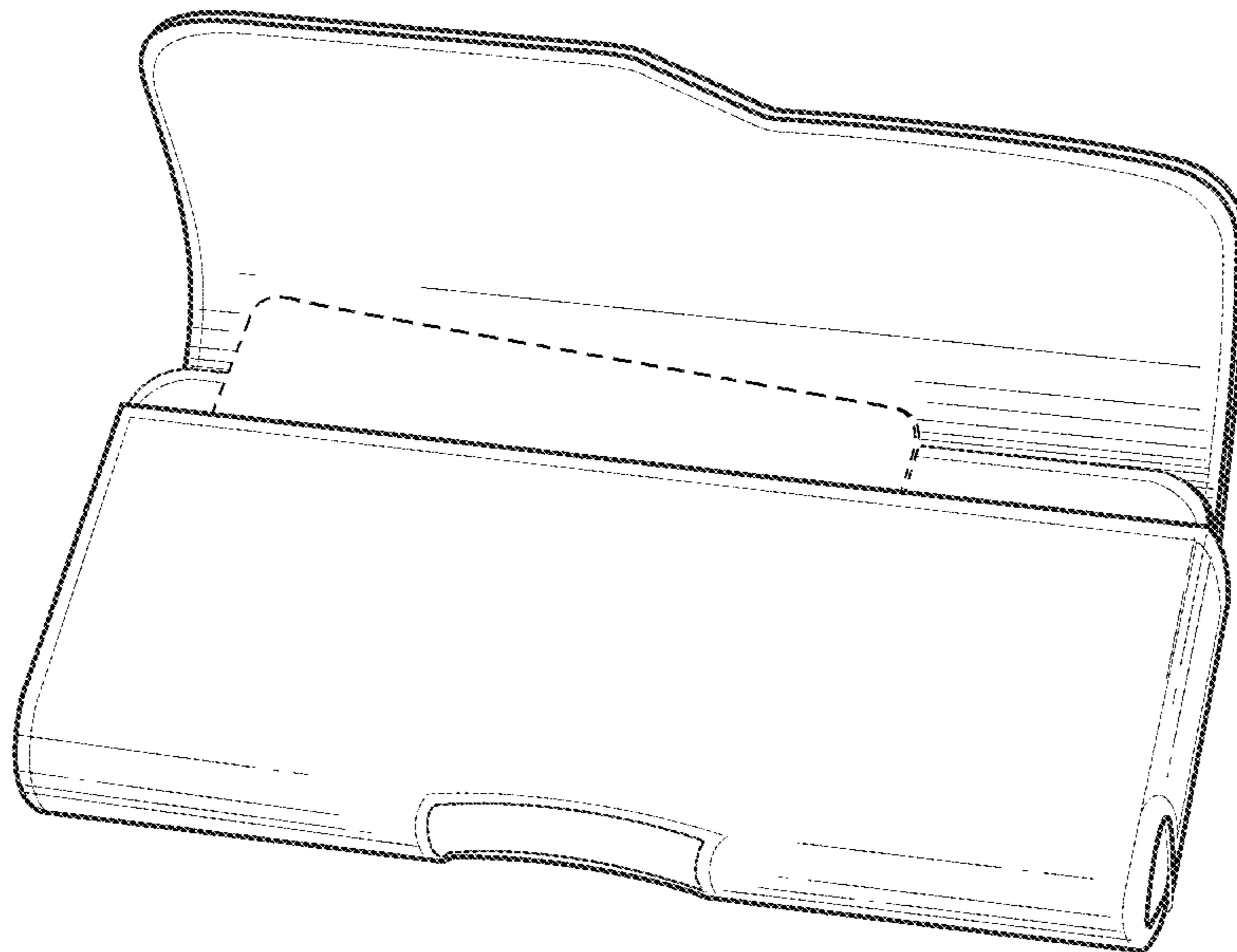
*Fig. 1*



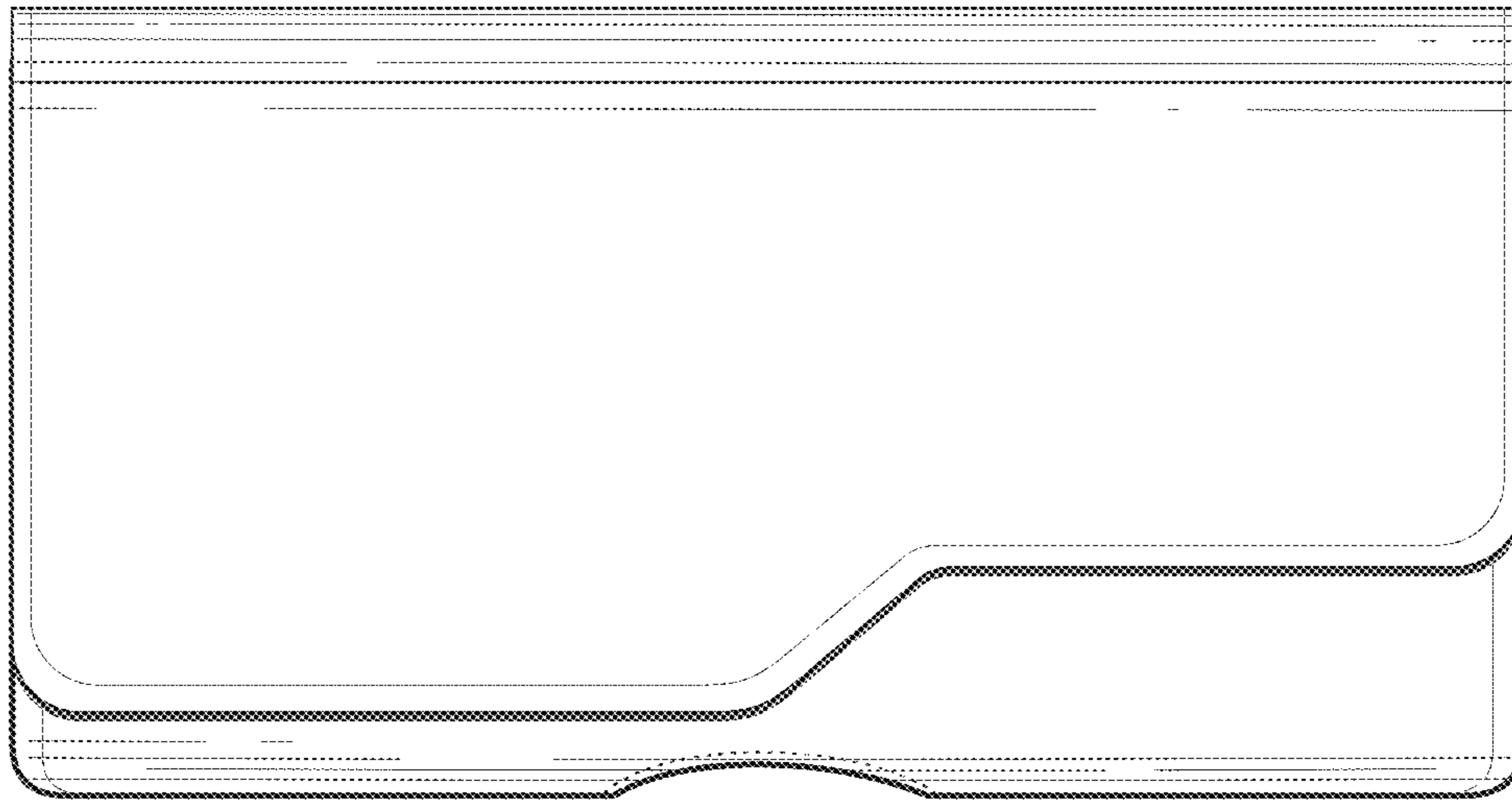
*Fig. 2*



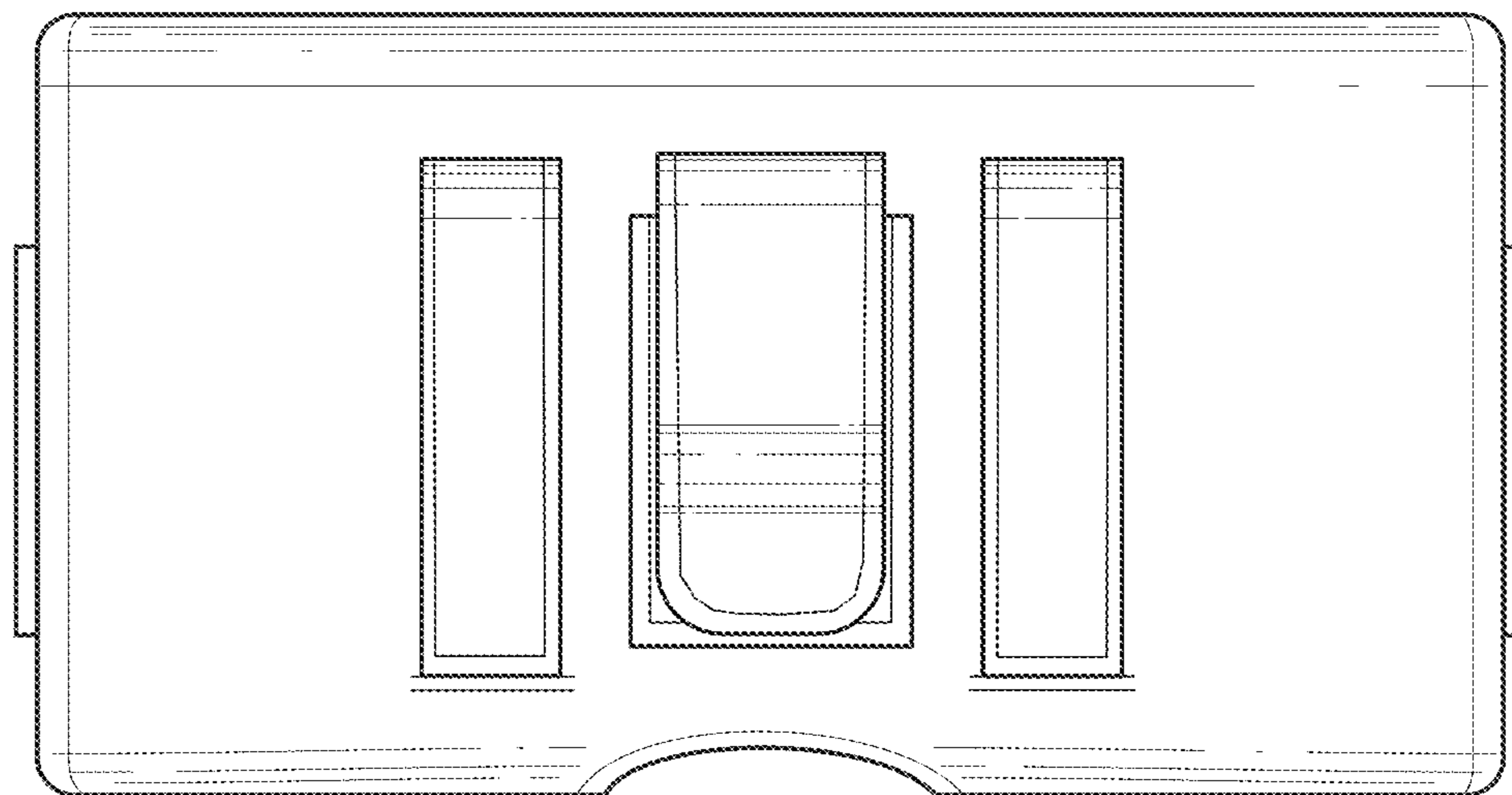
**Fig. 3**



**Fig. 4**

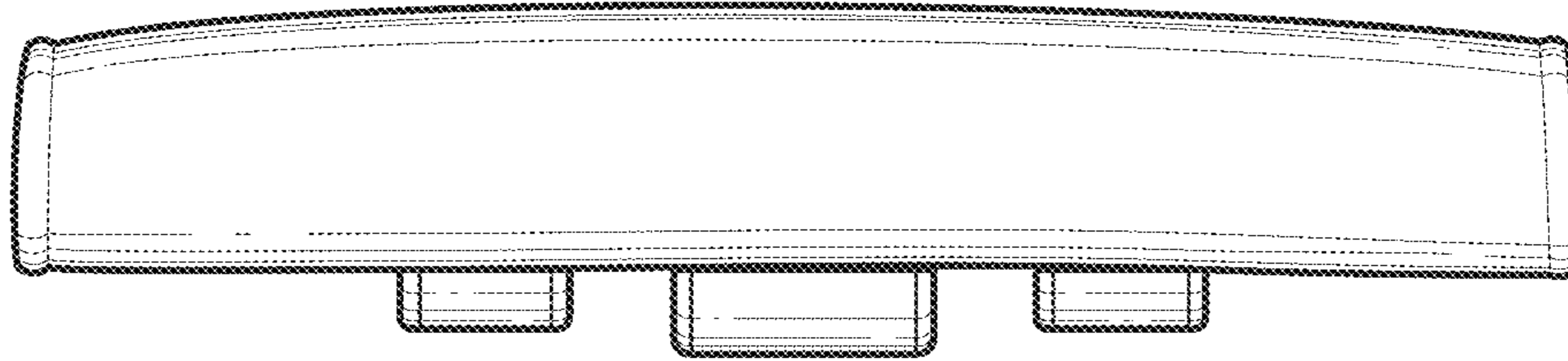


**Fig. 5**

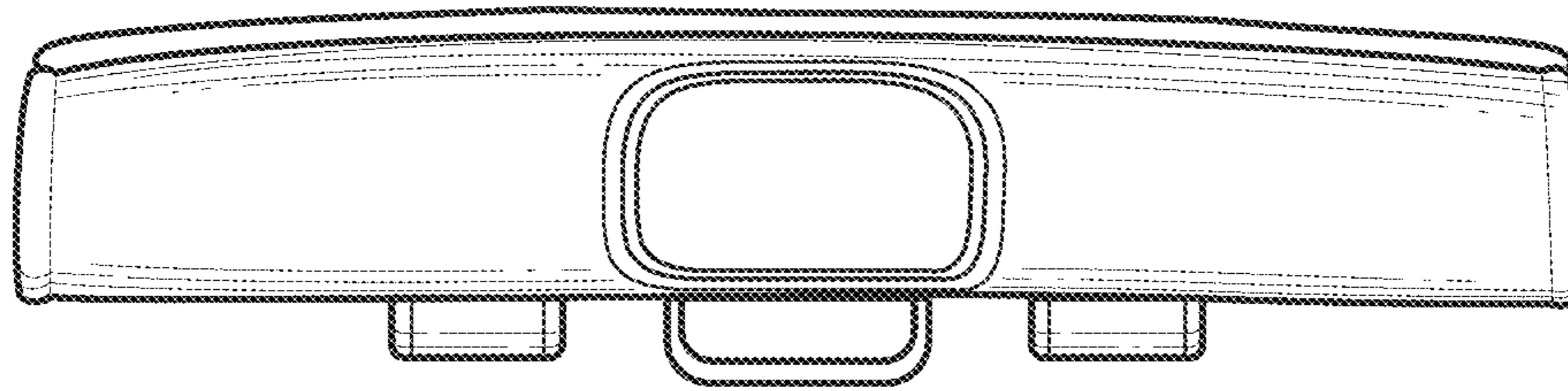


**Fig. 6**

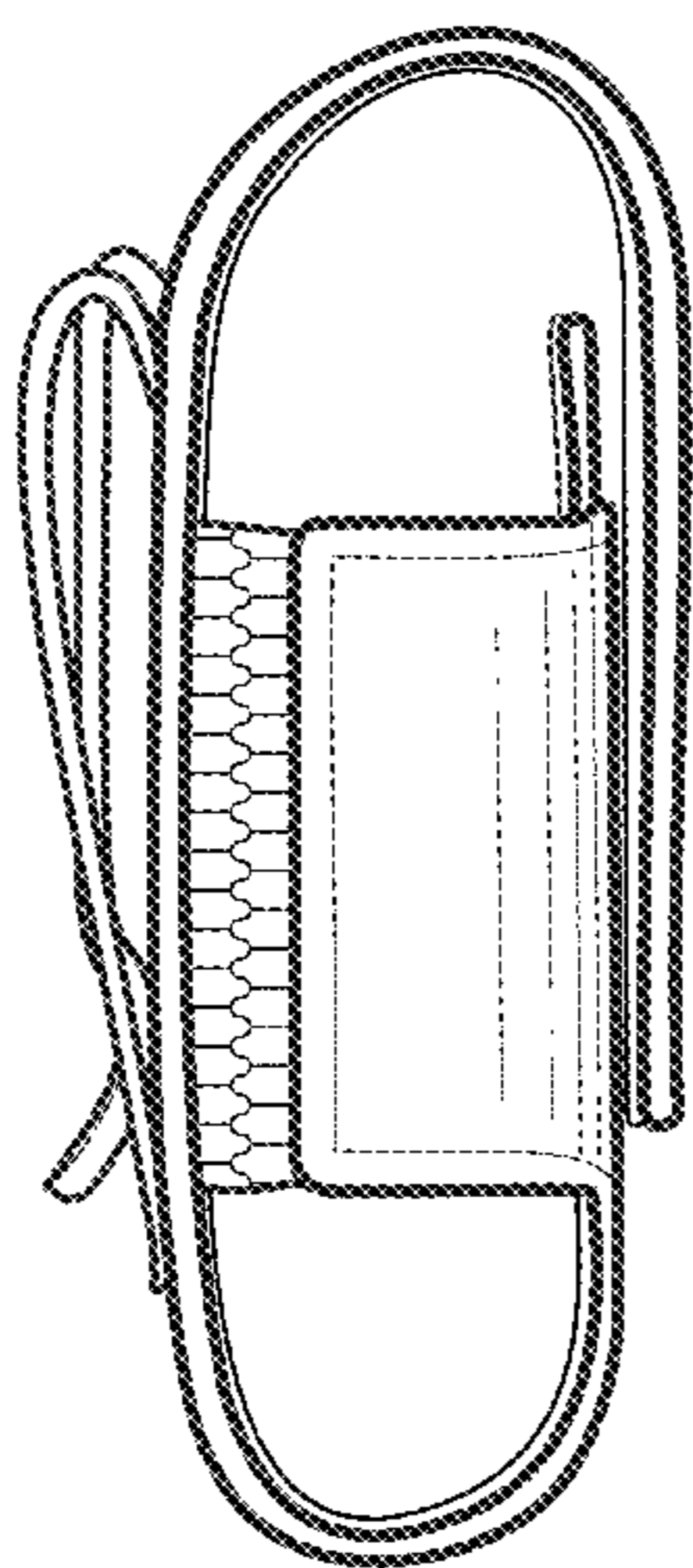




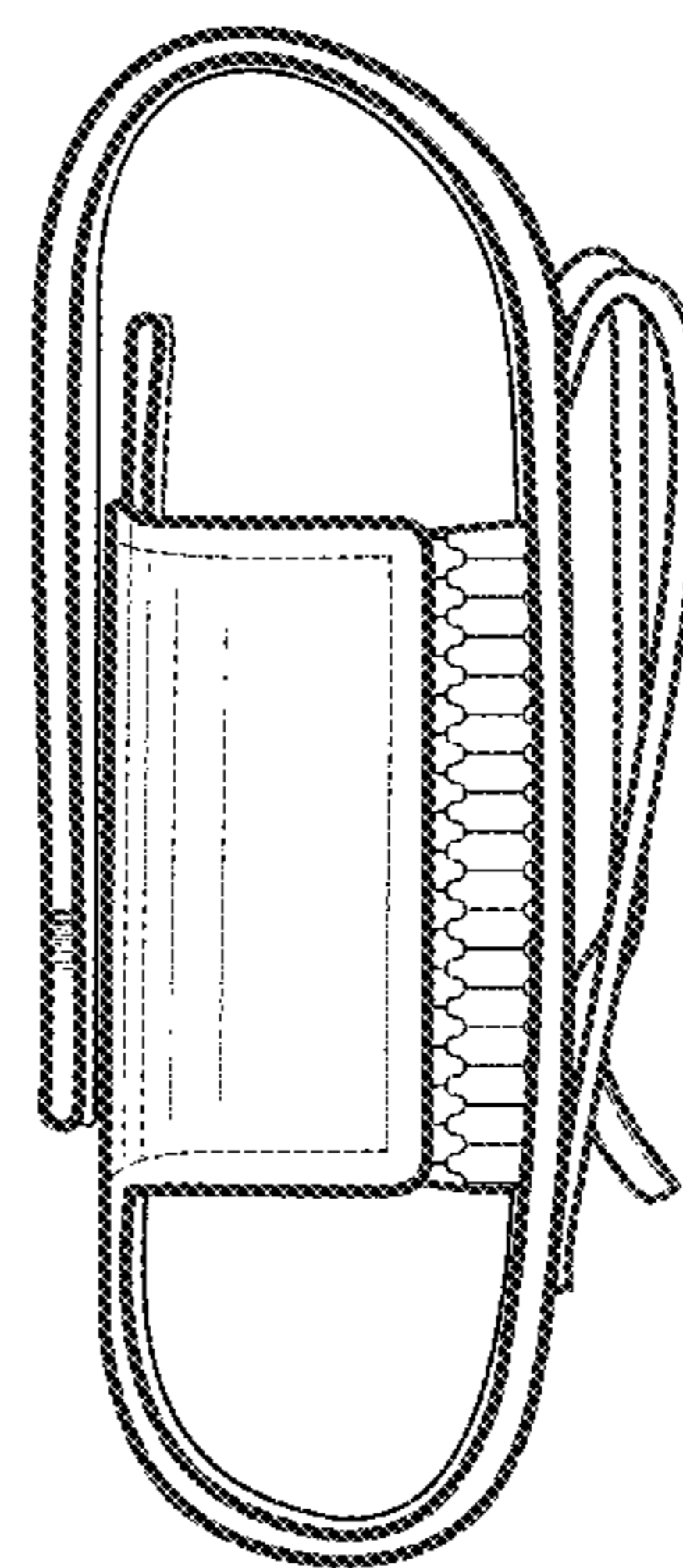
**Fig. 7**



**Fig. 8**



**Fig. 9**



**Fig. 10**