



US00D756104S

(12) **United States Design Patent**  
**Higgs-Jackson et al.**

(10) **Patent No.:** **US D756,104 S**  
(45) **Date of Patent:** **\*\* May 17, 2016**

(54) **PORTABLE PERSONAL HYGIENE PRODUCTS HOLDER**

D329,328 S \* 9/1992 Stephens ..... D28/78  
D529,710 S \* 10/2006 Wilson ..... D3/203.5  
D618,546 S \* 6/2010 Easterbrook ..... D3/203.5  
D634,538 S \* 3/2011 Dumas ..... D3/203.5

(71) Applicant: **FLO'S FRIENDS, LLC**, Kathleen, GA (US)

\* cited by examiner

(72) Inventors: **Lanita M. Higgs-Jackson**, Kathleen, GA (US); **Chiquita B. Porter**, Byron, GA (US)

*Primary Examiner* — Catheri Oliver-Garcia  
(74) *Attorney, Agent, or Firm* — Baxam Law Group, LLC; Deanna L. Baxam

(73) Assignee: **FLO'S FRIENDS, LLC**, Kathleen, GA (US)

(57) **CLAIM**  
The ornamental design for a portable personal hygiene products holder, as shown and described.

(\*\*) Term: **14 Years**

**DESCRIPTION**

(21) Appl. No.: **29/512,518**

(22) Filed: **Dec. 19, 2014**

(51) **LOC (10) Cl.** ..... **03-01**

(52) **U.S. Cl.**  
USPC ..... **D3/203.5**

(58) **Field of Classification Search**  
USPC ..... D3/203.5, 295, 294; 206/38, 440, 494, 206/581; D28/73, 76-78  
CPC ..... A45C 11/008; A61F 15/003  
See application file for complete search history.

FIG. 1 is a perspective view of a portable personal hygiene products holder showing the ornamental features of the new design;  
FIG. 2 is an isometric view thereof showing a retractable handle;  
FIG. 3 is a top plan view thereof;  
FIG. 4 is a bottom plan view thereof;  
FIG. 5 is a front planar view of the internal features thereof;  
FIG. 6 is an isometric view of the internal features thereof; and,  
FIG. 7 is a right side elevation view thereof, the left side being a mirror image.  
The wording in broken lines on the top of the container is not part of the claimed design.

(56) **References Cited**

**U.S. PATENT DOCUMENTS**

D149,810 S \* 6/1948 Graef ..... 206/38  
D305,947 S \* 2/1990 Chevassus ..... D28/78

**1 Claim, 7 Drawing Sheets**

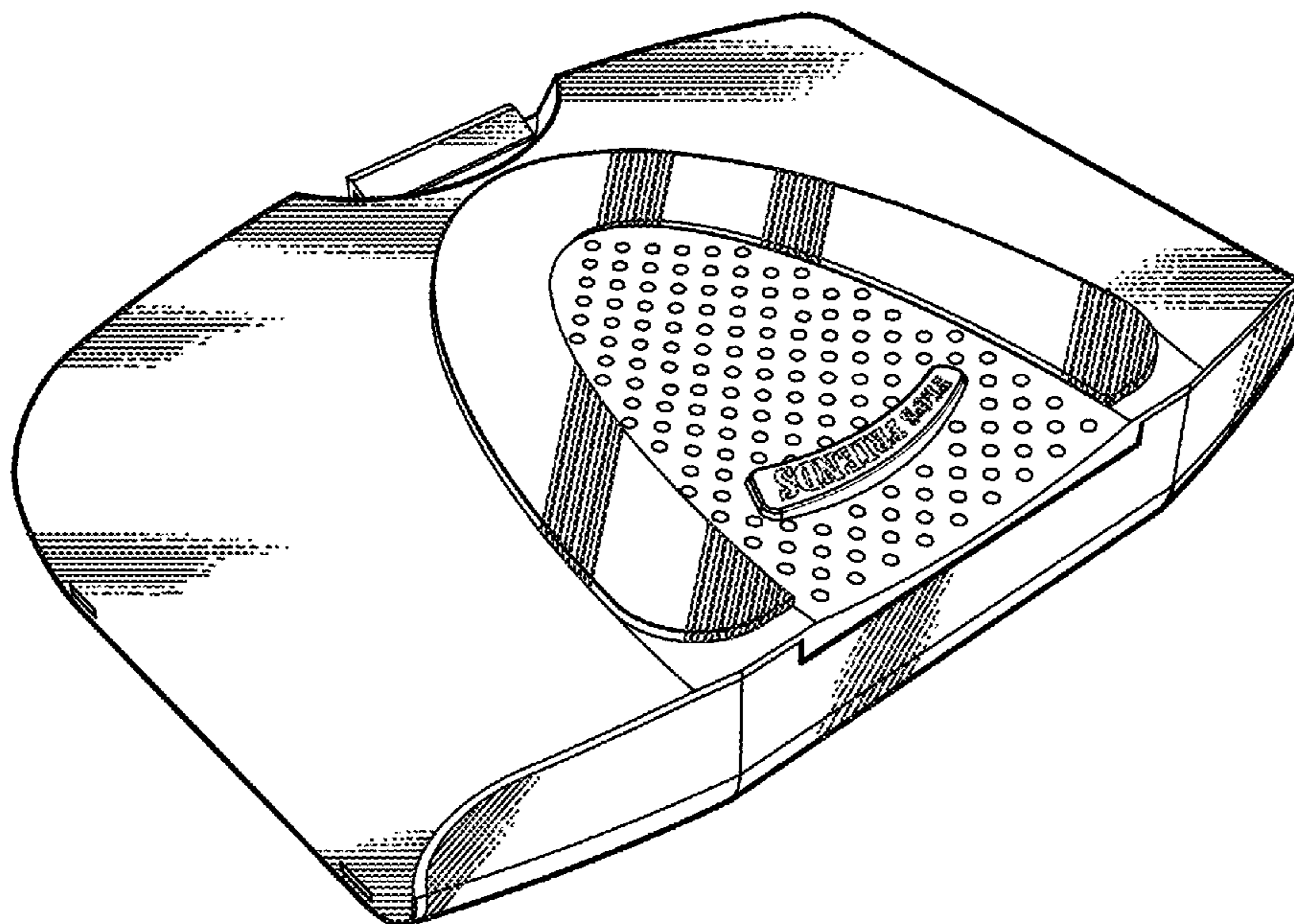


FIG. 1

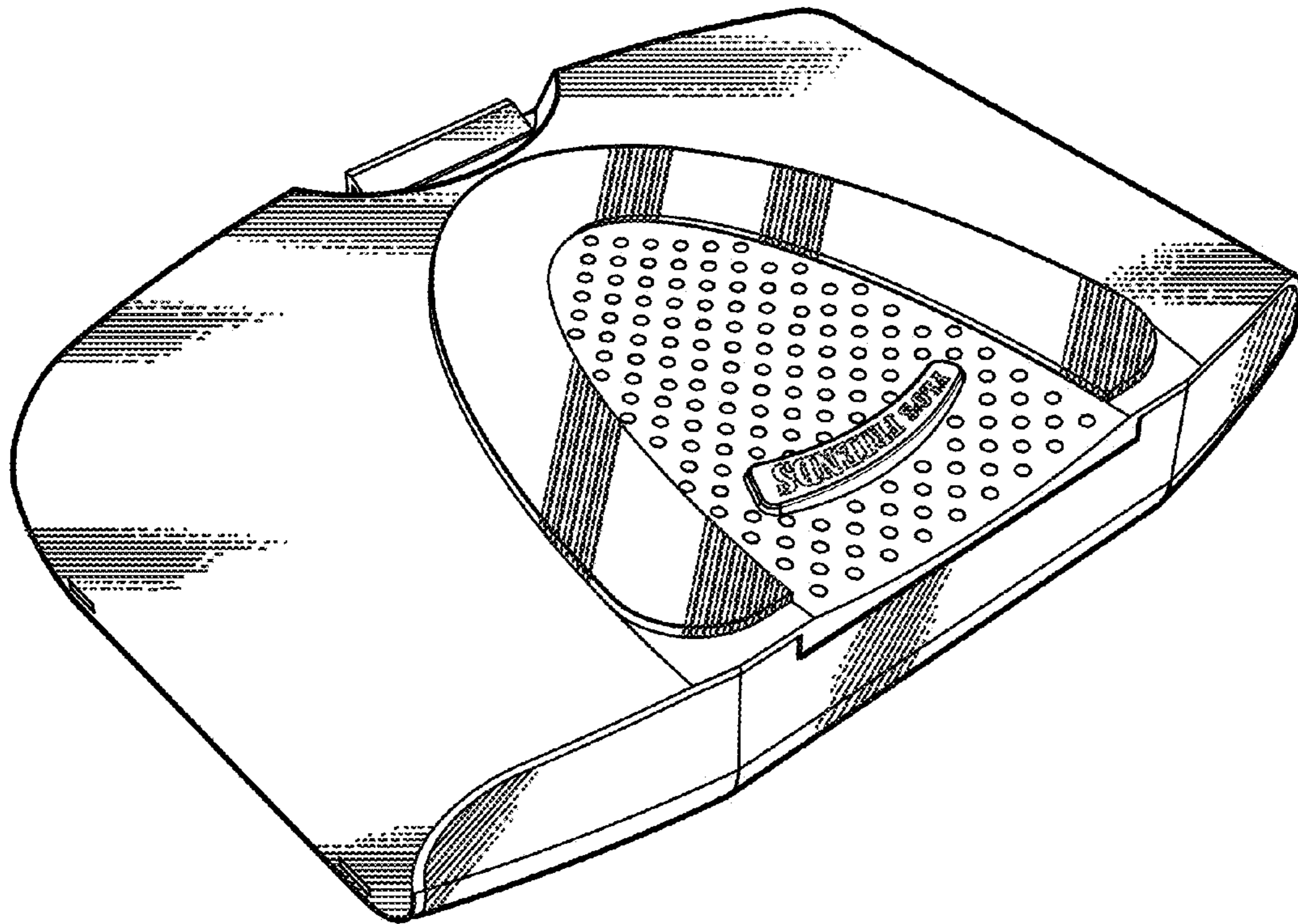


FIG. 2

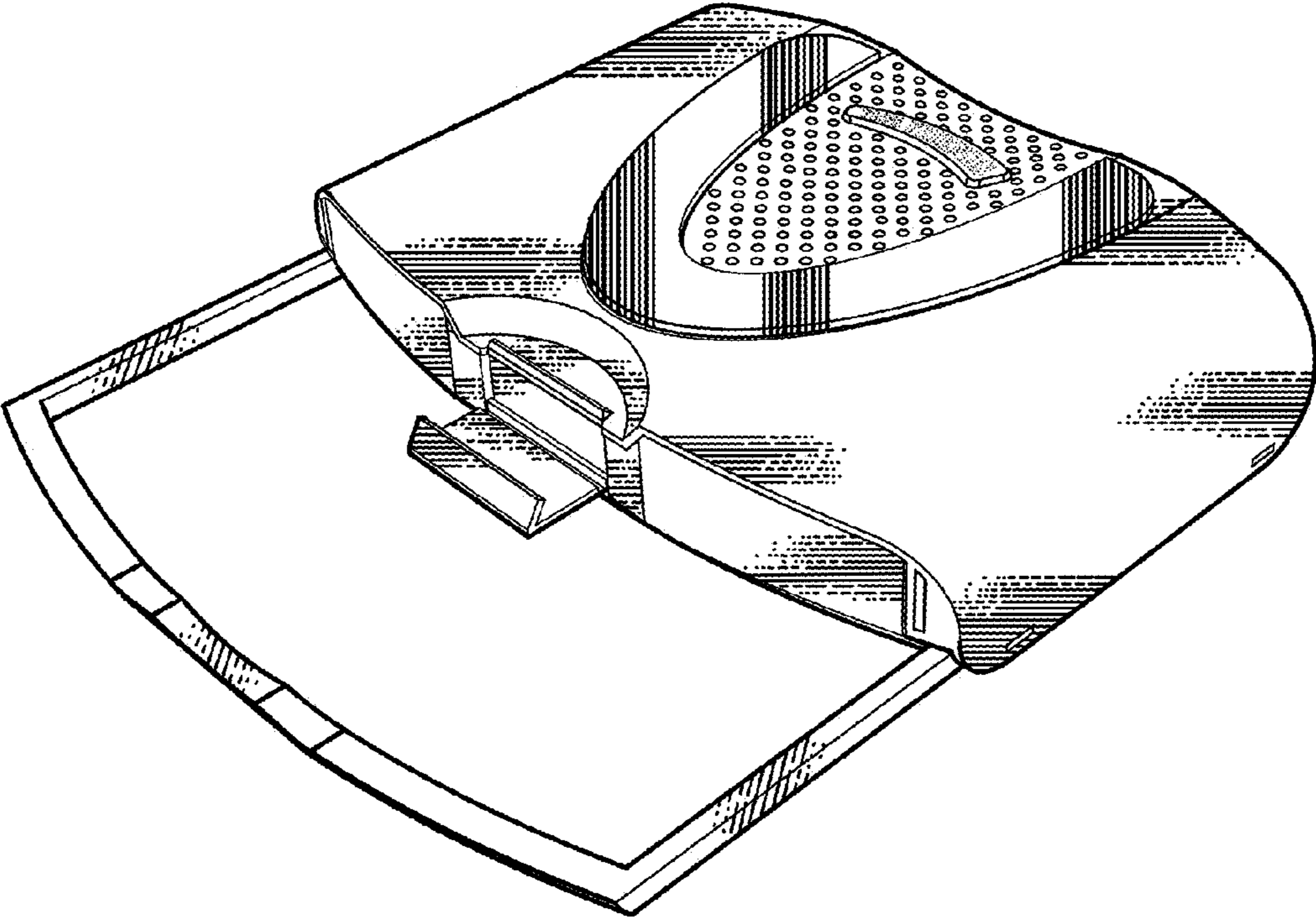


FIG. 3

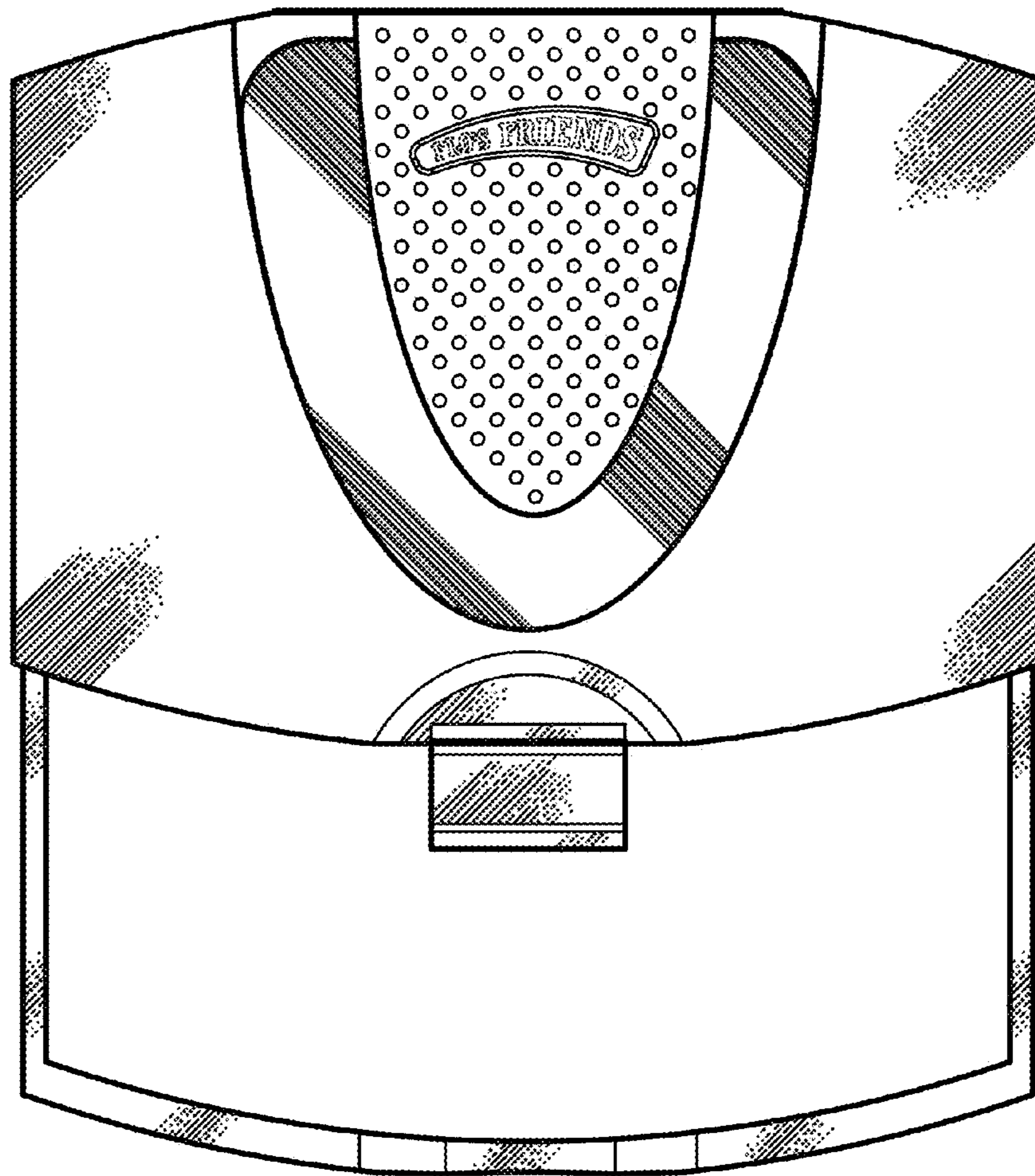


FIG. 4

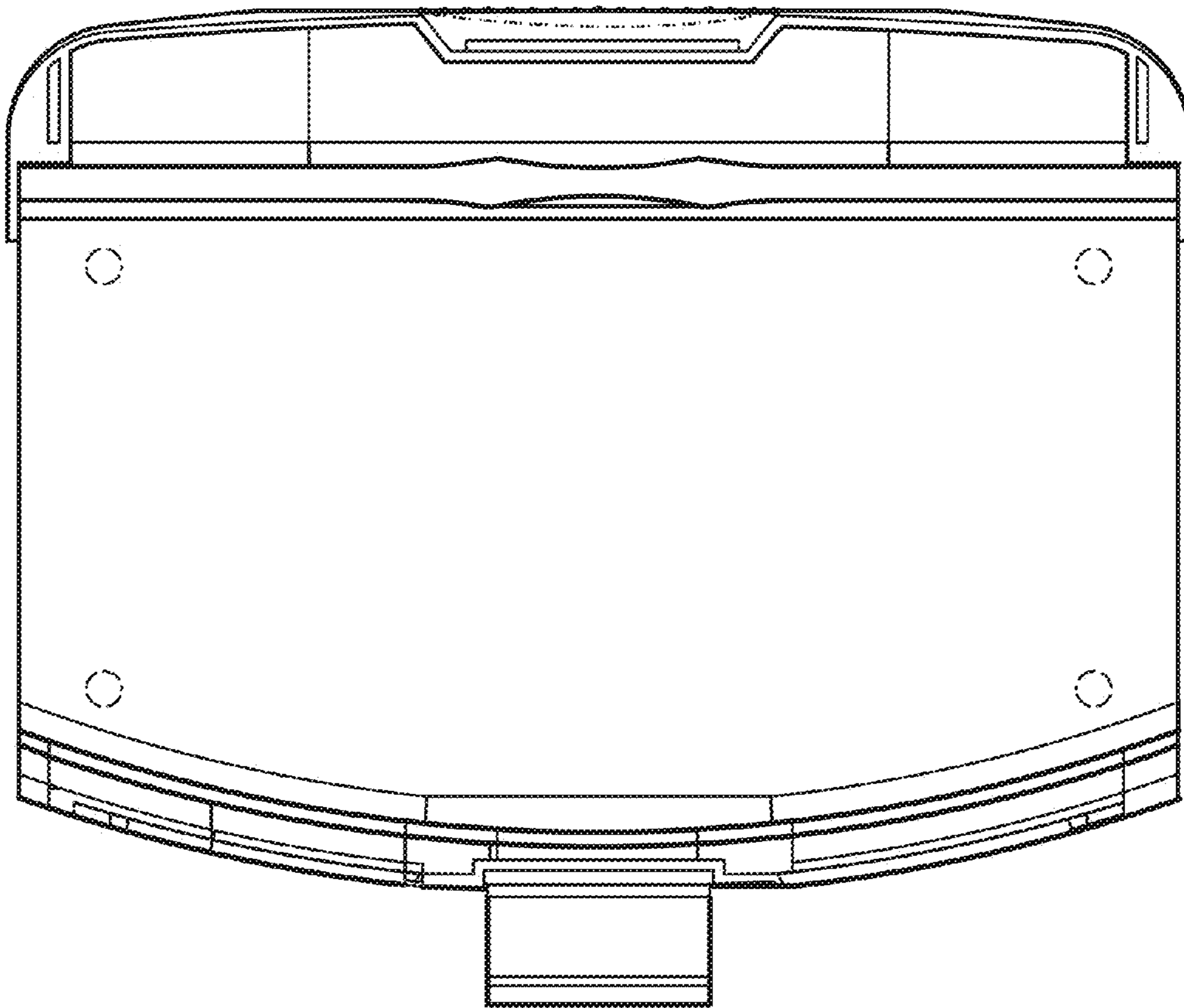


FIG. 5

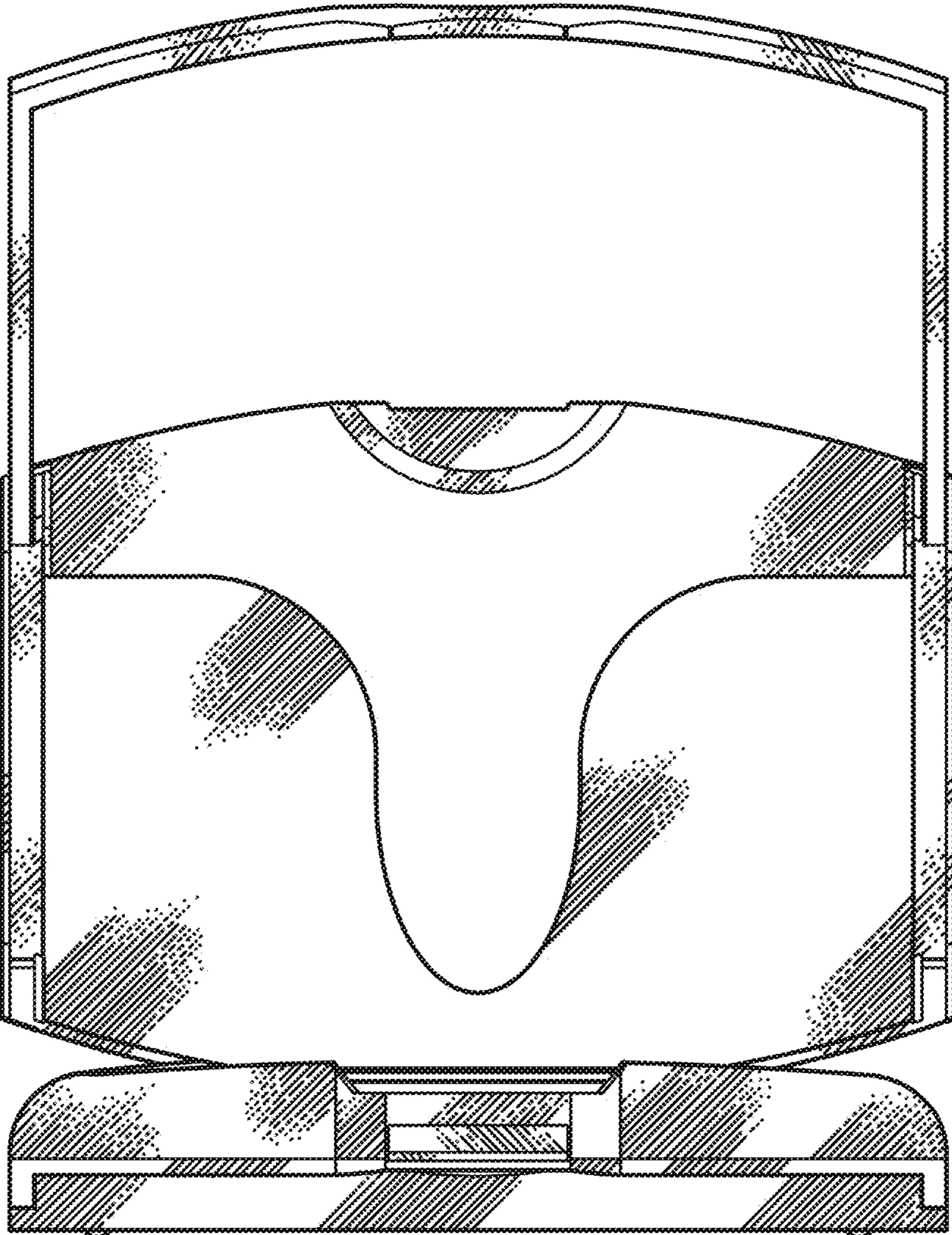


FIG. 6

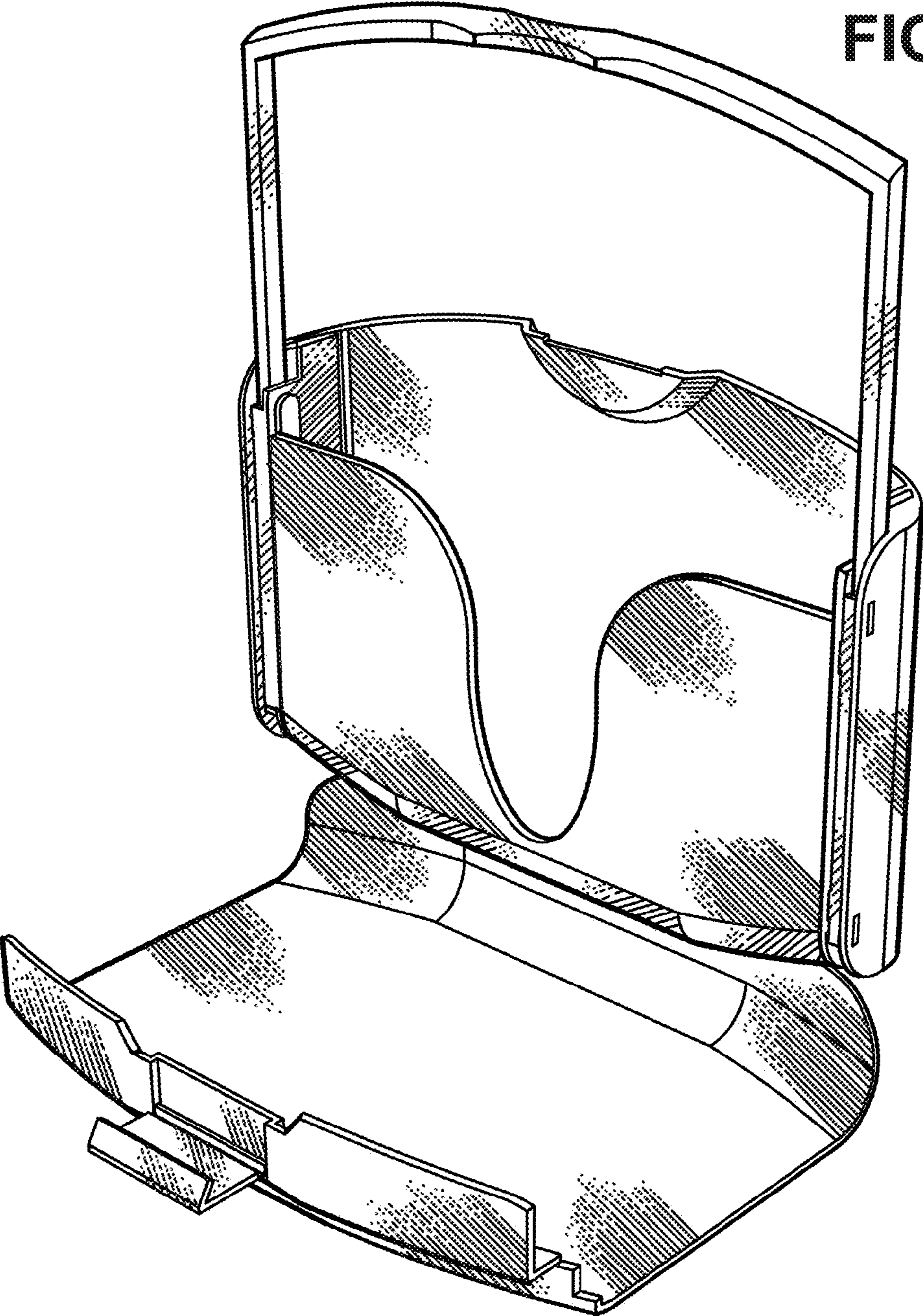


FIG. 7

