

US00D756094S

(12) **United States Design Patent**
Nyssen

(10) **Patent No.:** **US D756,094 S**
(45) **Date of Patent:** **** May 17, 2016**

(54) **SHOE SOLE**

- (71) Applicant: **New Balance Athletic Shoe, Inc.**,
Boston, MA (US)
- (72) Inventor: **Andrew J. Nyssen**, Atkinson, NH (US)
- (73) Assignee: **New Balance Athletics, Inc.**, Boston,
MA (US)
- (**) Term: **14 Years**
- (21) Appl. No.: **29/481,640**

- (22) Filed: **Feb. 7, 2014**
- (51) **LOC (10) Cl.** **02-04**
- (52) **U.S. Cl.**
USPC **D2/958**; D2/951; D2/957; D2/959
- (58) **Field of Classification Search**
USPC D2/902, 906, 908, 916, 918, 925,
D2/946-962, 977; 36/3 B, 22 R, 24.5, 25 R,
36/28, 32 R, 34 R, 59 C, 67 A, 103
CPC A43B 13/00; A43B 13/02; A43B 13/023;
A43B 13/026; A43B 13/04; A43B 13/08;
A43B 13/10; A43B 13/12; A43B 13/14;
A43B 13/141; A43B 13/143; A43B 13/16;
A43B 13/18; A43B 13/181; A43B 13/187;
A43B 13/189; A43B 13/20; A43B 13/22;
A43B 13/223; A43B 13/24; A43B 13/28;
A43B 13/30; A43B 13/32; A43B 13/34;
A43B 13/36

See application file for complete search history.

(56) **References Cited**

U.S. PATENT DOCUMENTS

- 4,180,923 A 1/1980 Dassler
- 4,235,026 A 11/1980 Plagenhoef

(Continued)

OTHER PUBLICATIONS

International Search Report and Written Opinion for International Application No. PCT/US2015/015572 mailed Jun. 10, 2015, 16 pages.

Primary Examiner — T. Chase Nelson

(74) *Attorney, Agent, or Firm* — Goodwin Procter LLP

(57) **CLAIM**

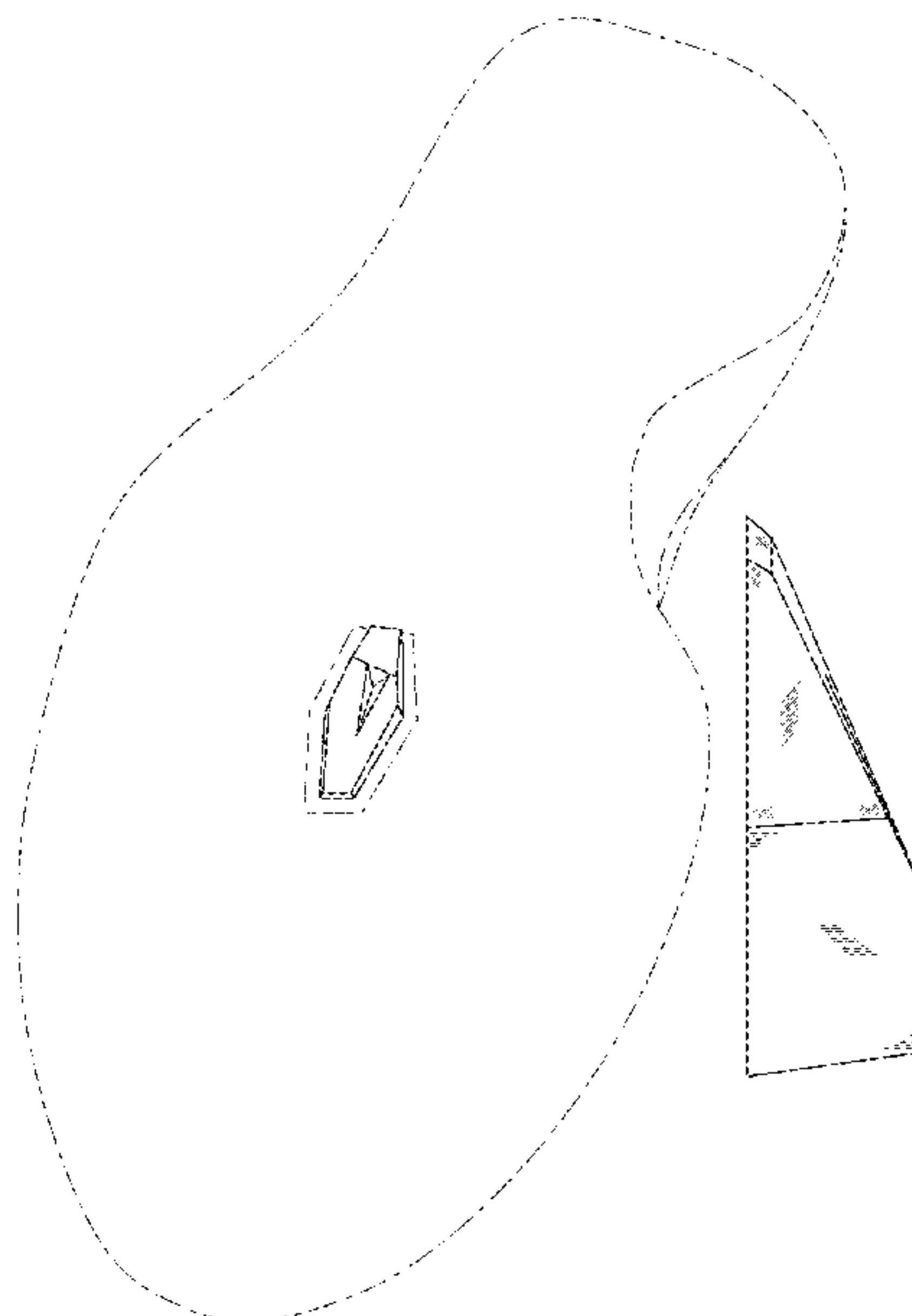
The ornamental design for a shoe sole, as shown and described.

DESCRIPTION

FIG. 1 is a plan view of a shoe sole;
 FIG. 2 is a front perspective view of the shoe sole of FIG. 1;
 FIG. 3 is a rear perspective view of the shoe sole of FIG. 1;
 FIG. 4 is an enlarged front view of the shoe sole of FIGS. 1 through 3, but with unclaimed environmental structure omitted for purposes of enlargement;
 FIG. 5 is a left side view of the shoe sole of FIG. 4;
 FIG. 6 is an enlarged plan view of the shoe sole of FIG. 1, but with unclaimed environmental structure omitted for purposes of enlargement;
 FIG. 7 is a right side view of the shoe sole of FIG. 4;
 FIG. 8 is a rear view of the shoe sole of FIG. 4;
 FIG. 9 is an enlarged second front perspective view of the shoe sole of FIG. 2, but with unclaimed environmental structure omitted for purposes of enlargement;
 FIG. 10 is an enlarged third front perspective view of the shoe sole of FIG. 2, but with unclaimed environmental structure omitted for purposes of enlargement; and,
 FIG. 11 is a plan view of a shoe sole shown in an alternate environment from that of FIG. 1.

A portion of a shoe sole is shown in FIGS. 1-11. The broken lines depict environmental structure that is included for illustrative purposes only and forms no part of the claimed design.

1 Claim, 5 Drawing Sheets



(56)

References Cited

U.S. PATENT DOCUMENTS

4,283,865	A	8/1981	Dassler				
D271,251	S	11/1983	Norton				
4,445,286	A	5/1984	Norton				
4,535,553	A	8/1985	Derderian et al.				
D306,652	S *	3/1990	Kiyosawa	D2/957		
5,084,987	A	2/1992	Flemming				
D325,293	S *	4/1992	Kiyosawa et al.	D2/949		
5,134,790	A	8/1992	Woitschaetzke et al.				
5,152,081	A	10/1992	Hallenbeck et al.				
5,174,049	A	12/1992	Flemming				
5,197,206	A	3/1993	Shorten				
5,197,207	A	3/1993	Shorten				
5,201,125	A	4/1993	Shorten				
D339,462	S *	9/1993	Kiyosawa et al.	D2/959		
D341,481	S *	11/1993	Peterson	D2/959		
5,279,051	A	1/1994	Whatley				
5,353,526	A	10/1994	Foley et al.				
D354,845	S *	1/1995	Bramani	D2/957		
5,381,607	A	1/1995	Sussmann				
D355,754	S *	2/1995	Brandon	D2/951		
D373,897	S *	9/1996	Takatani et al.	D2/957		
5,806,209	A *	9/1998	Crowley et al.	36/28		
D404,547	S *	1/1999	Strawser et al.	D2/953		
D460,608	S *	7/2002	Laberge et al.	D2/957		
D481,528	S *	11/2003	St-Louis	D2/960		
6,705,027	B1	3/2004	Campbell				
D490,596	S *	6/2004	Belley et al.	D2/957		
D495,480	S *	9/2004	Laberge	D2/960		
D499,536	S *	12/2004	Castleberry	D2/960		
6,920,705	B2	7/2005	Lucas et al.				
7,096,603	B2	8/2006	Fusco				
7,153,560	B2	12/2006	Hofmann				
D561,439	S *	2/2008	Schoenborn et al.	D2/957		
D566,938	S *	4/2008	Matis et al.	D2/957		
7,475,497	B2	1/2009	Hoffer et al.				
7,571,556	B2	8/2009	Hardy et al.				
D617,085	S *	6/2010	Recchi et al.	D2/957		
D620,243	S *	7/2010	McClaskie	D2/957		
7,774,954	B2	8/2010	Hoffer et al.				
D635,754	S *	4/2011	Mariman	D2/959		
D655,902	S *	3/2012	Debiase	D2/957		
D663,518	S *	7/2012	McClaskie	D2/957		
D664,343	S *	7/2012	McClaskie	D2/957		
8,246,881	B2 *	8/2012	Maranan et al.	264/250		
D677,453	S *	3/2013	Sakai	D2/959		
D677,455	S *	3/2013	Pizzuti	D2/960		
8,732,982	B2	5/2014	Sullivan et al.				
D717,034	S *	11/2014	Bramani	D2/959		
2003/0172548	A1 *	9/2003	Fuerst	36/28		
2005/0072026	A1 *	4/2005	Sink	36/127		
2005/0155255	A1	7/2005	Wilson et al.				
2006/0005423	A1 *	1/2006	Wu	36/3 B		
2007/0033833	A1	2/2007	Chang et al.				
2007/0119076	A1	5/2007	Brewer et al.				
2010/0170106	A1 *	7/2010	Brewer et al.	36/28		
2012/0000095	A1 *	1/2012	Torrance	36/132		
2015/0223560	A1 *	8/2015	Wawrousek et al.				

* cited by examiner

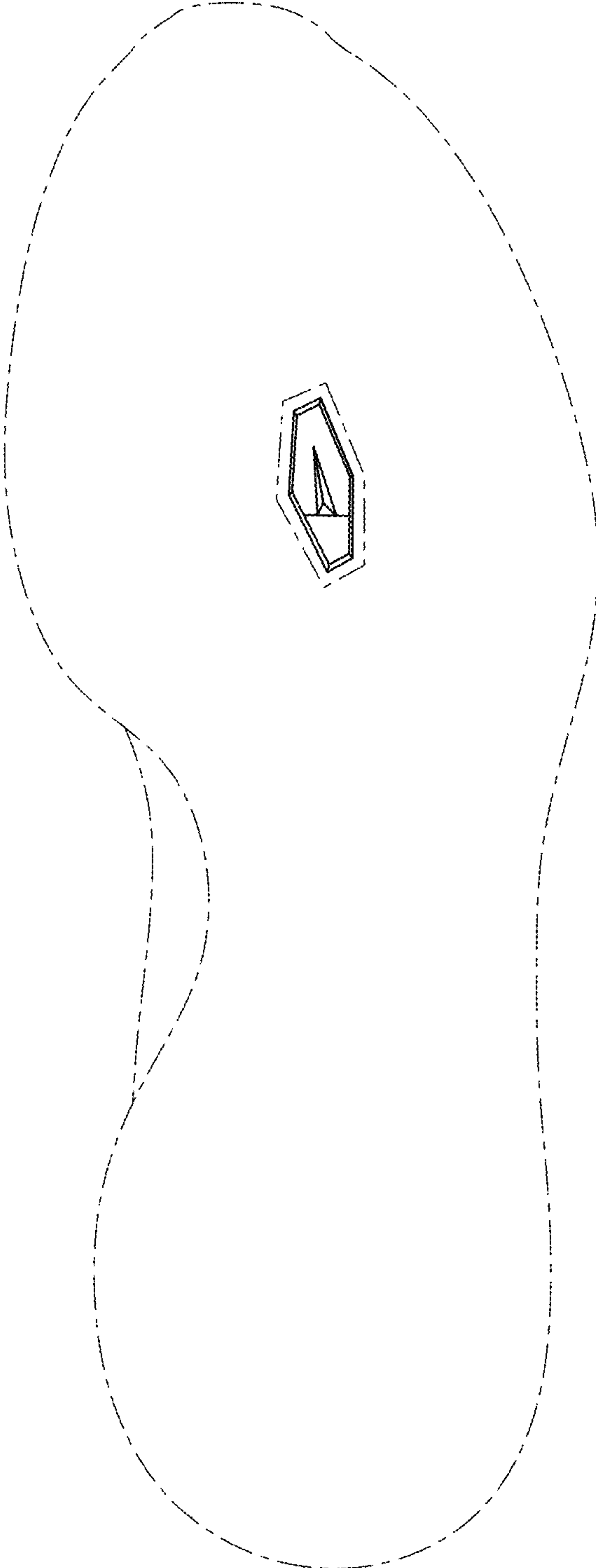


FIG. 1

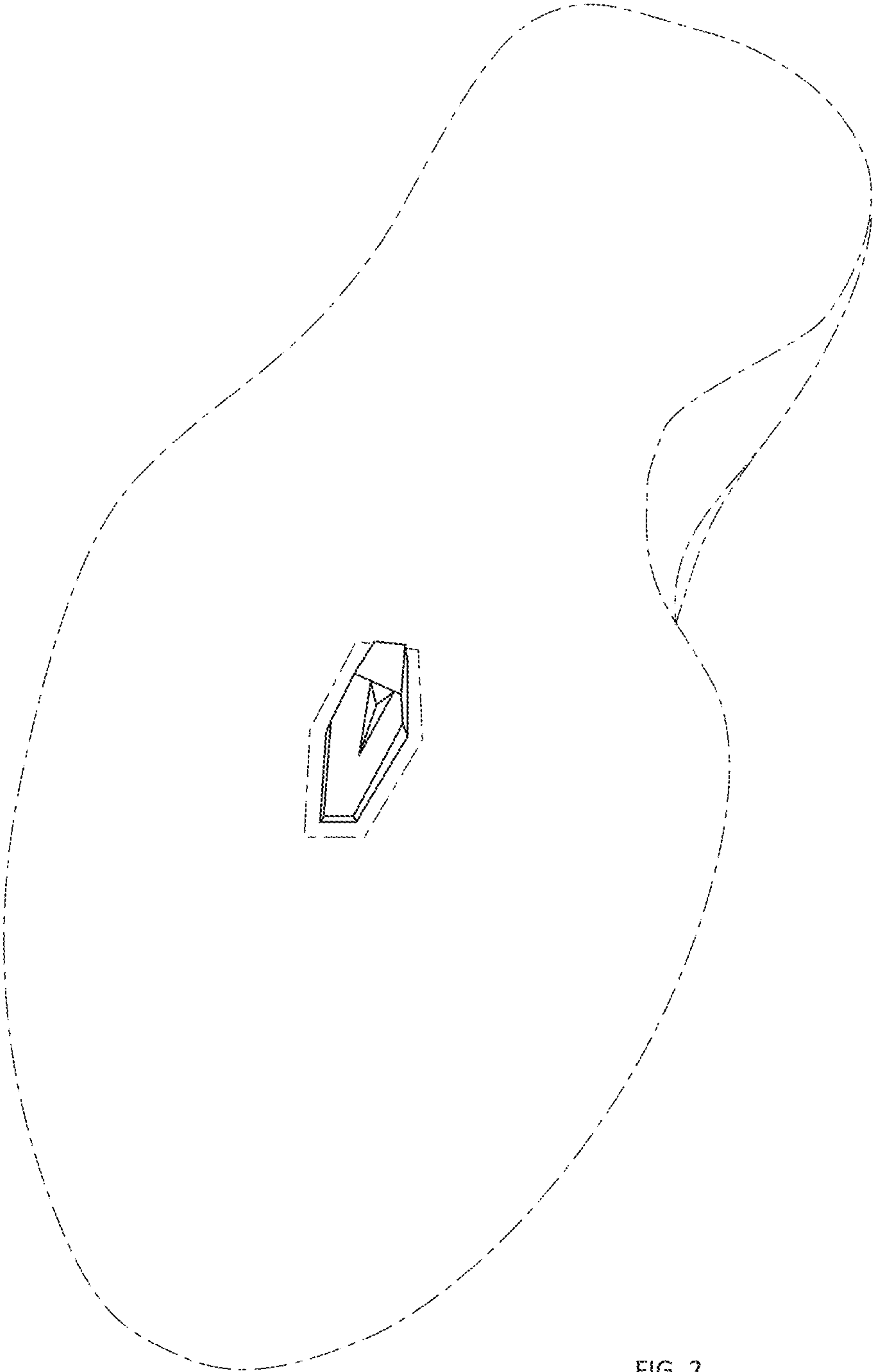


FIG. 2

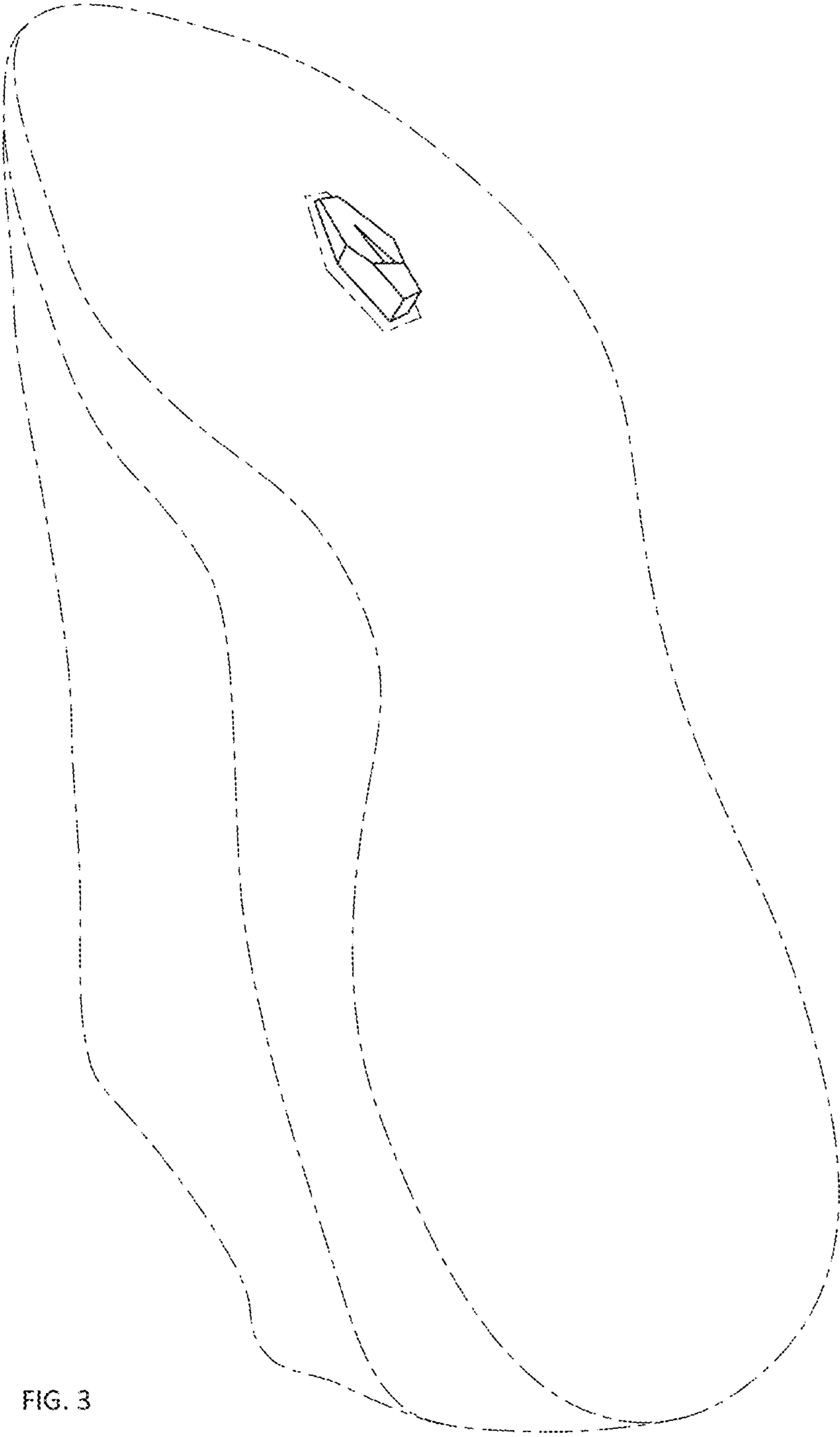


FIG. 3

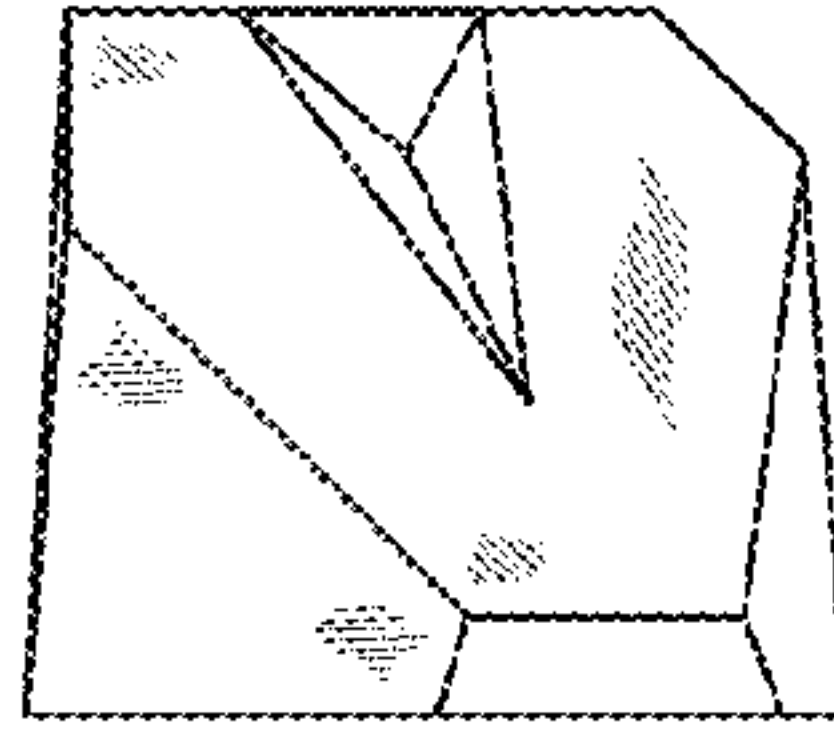


FIG. 4

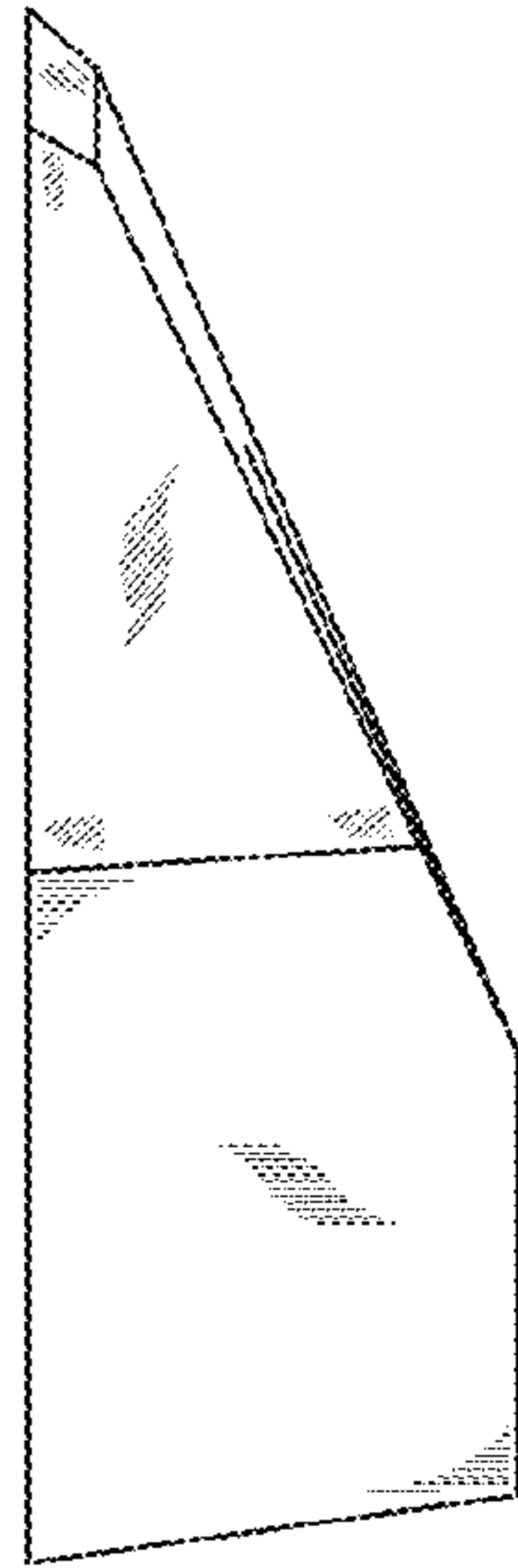


FIG. 5

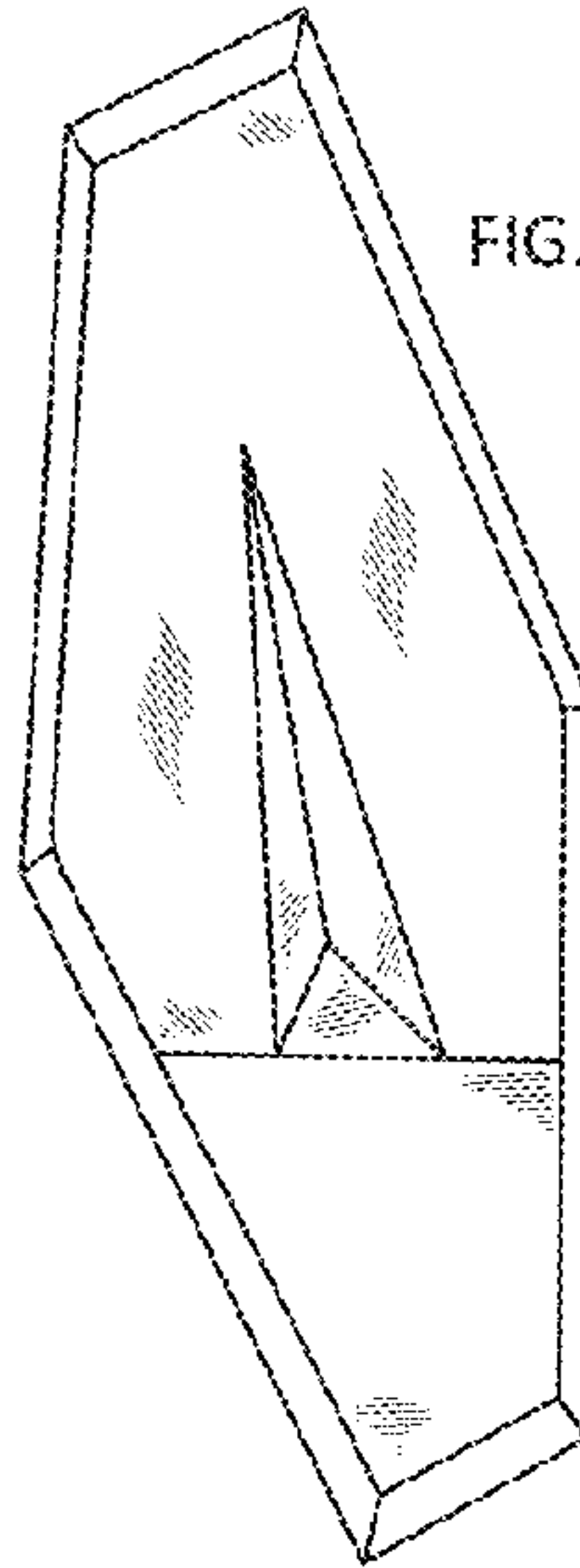


FIG. 6

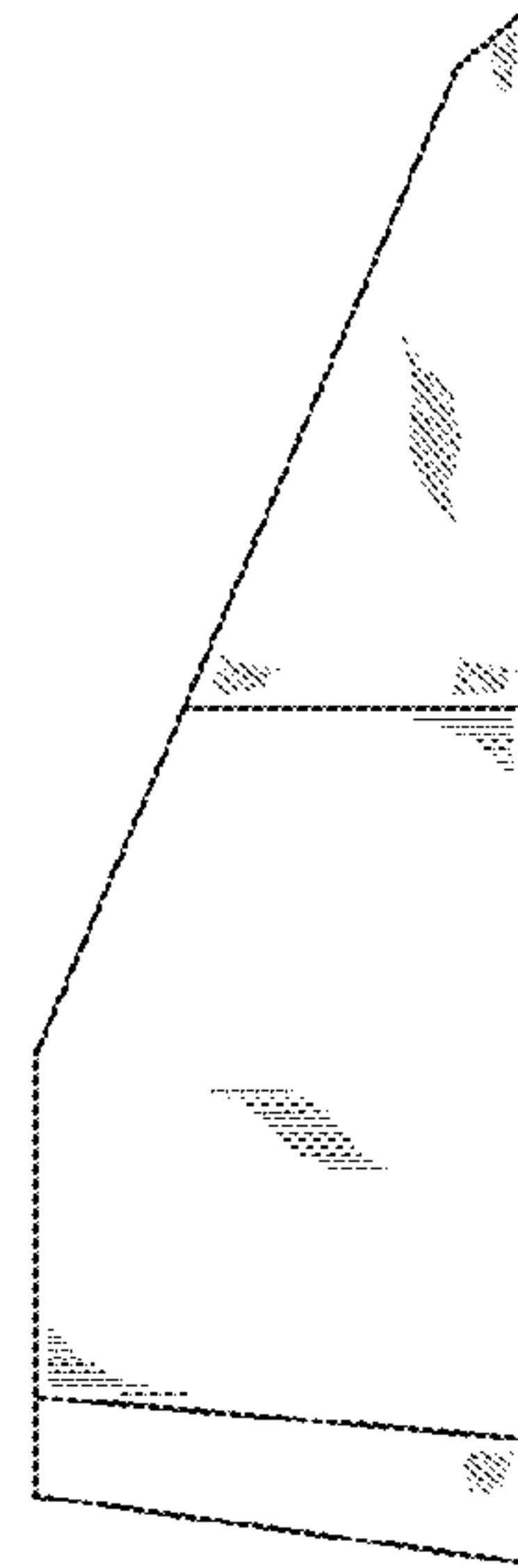


FIG. 7

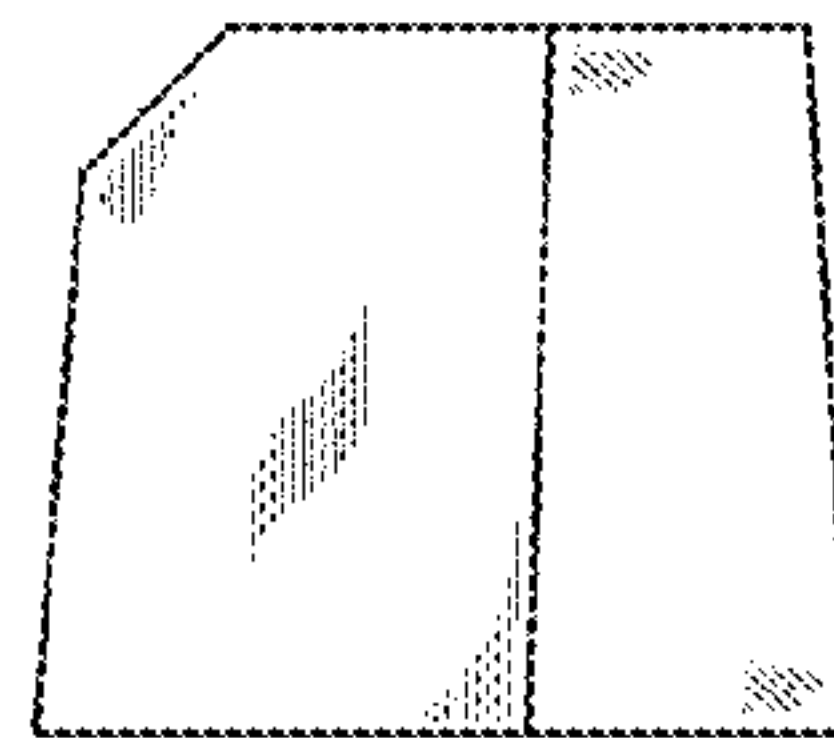


FIG. 8

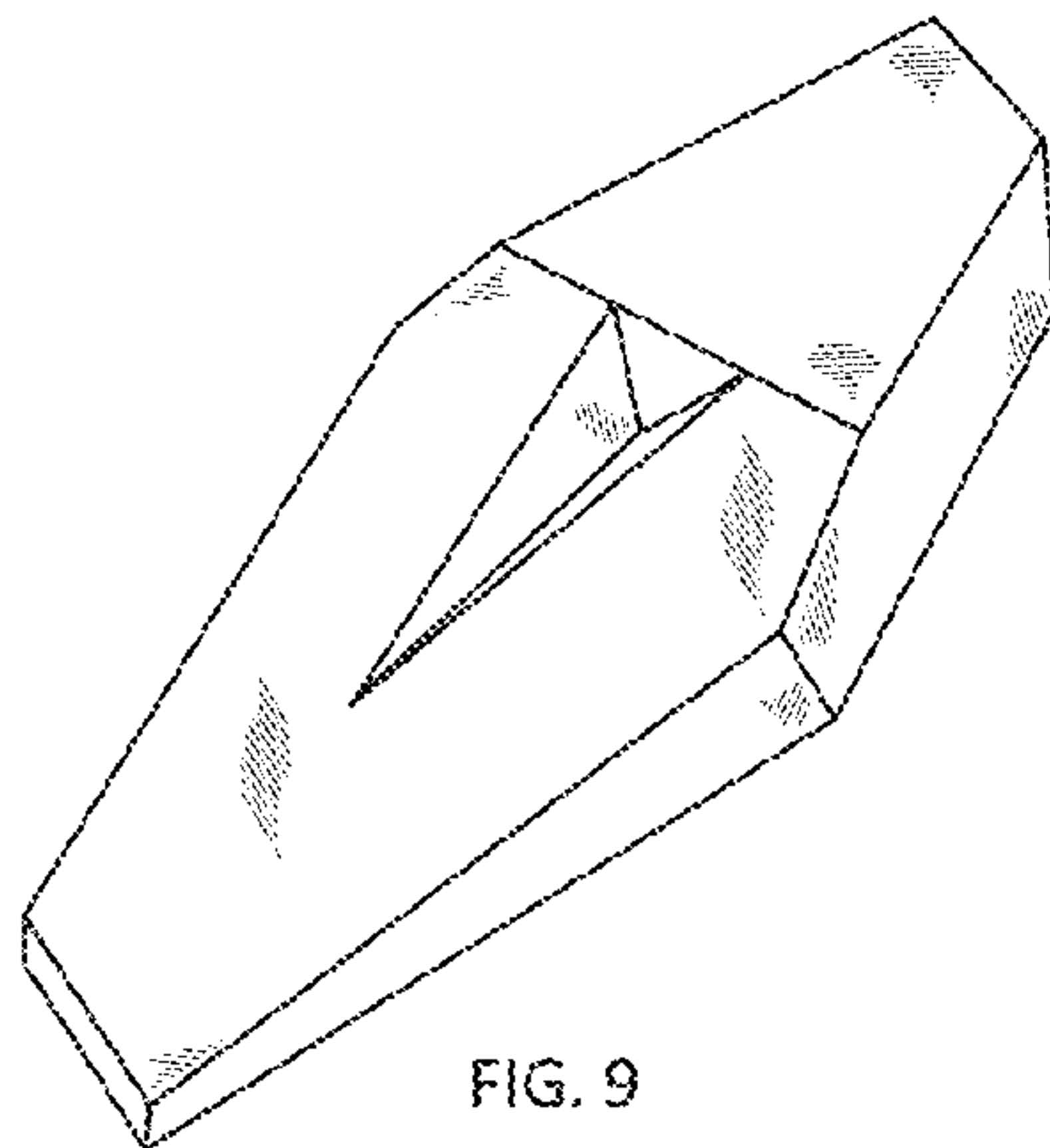


FIG. 9

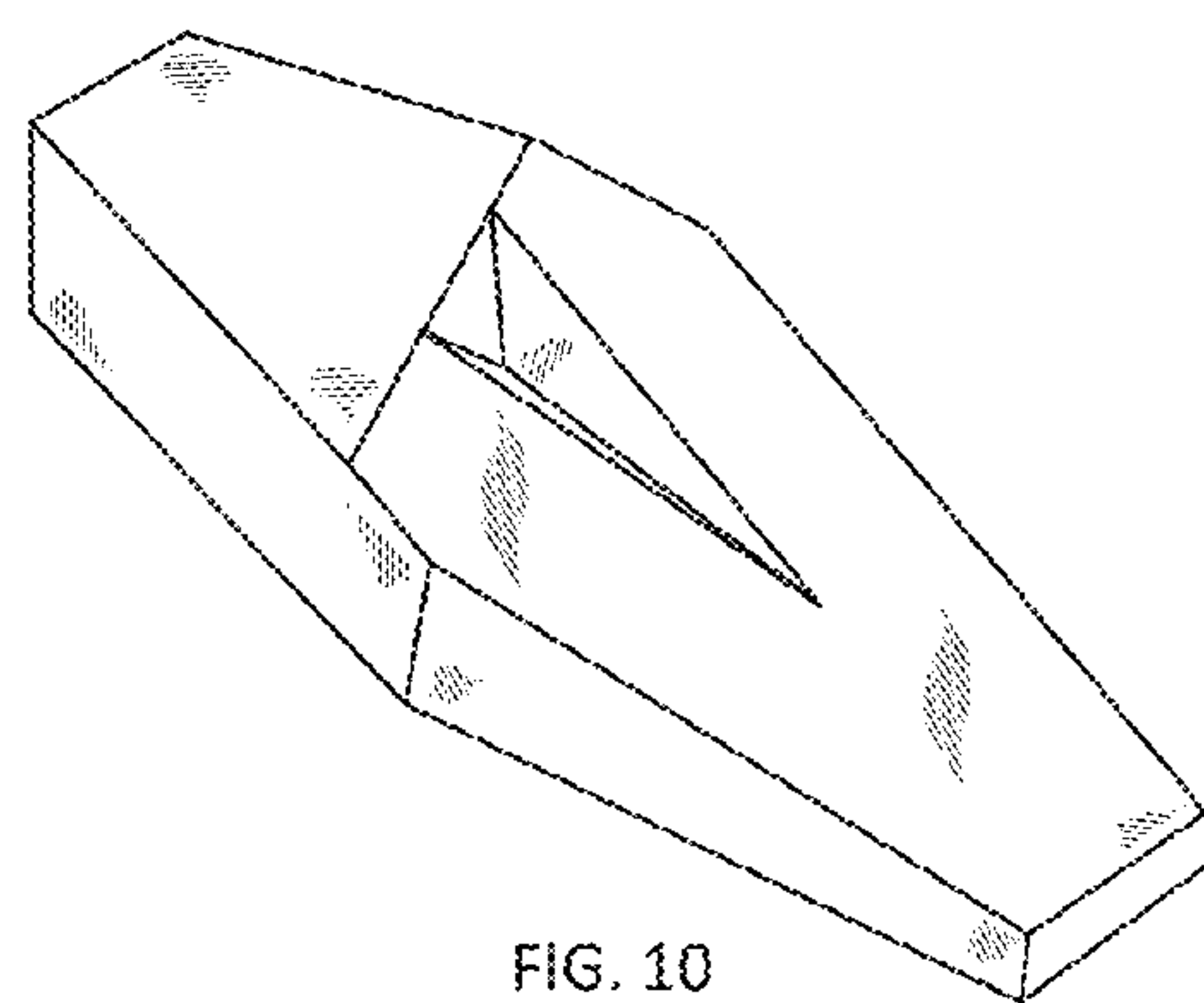


FIG. 10

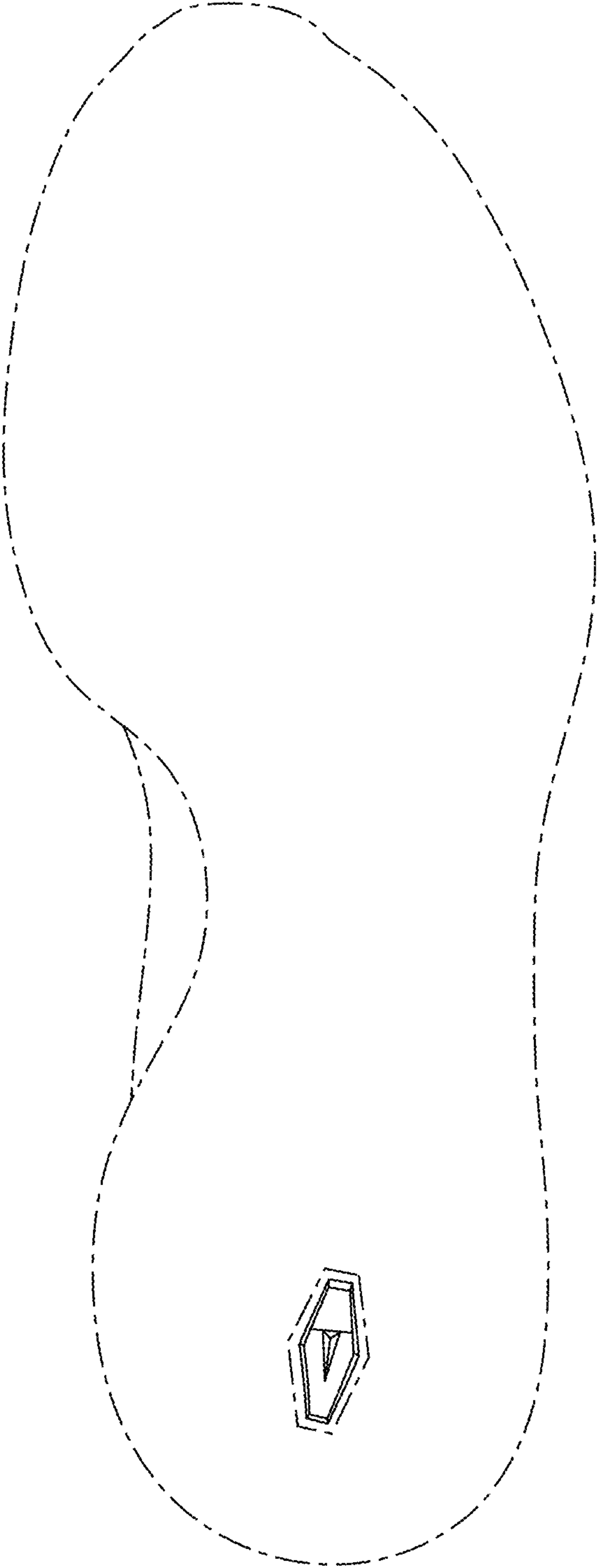


FIG. 11