



US00D756082S

(12) **United States Design Patent**
Gavrieli et al.

(10) **Patent No.:** **US D756,082 S**
(45) **Date of Patent:** **** *May 17, 2016**

(54) **SINGLE-SOLE SHOE WITH GREEN SOLE**

OTHER PUBLICATIONS

(71) Applicant: **Gavrieli Brands LLC**, Beverly Hills,
CA (US)

Examination Report for AU 341324, 3 pgs., dated Oct. 24, 2012.

(Continued)

(72) Inventors: **Kfir Gavrieli**, Los Angeles, CA (US);
Dikla Gavrieli, Los Angeles, CA (US)

Primary Examiner — Dominic Simone

(74) *Attorney, Agent, or Firm* — Morgan, Lewis & Bockius
LLP

(73) Assignee: **Gavrieli Brands LLC**, Beverly Hills,
CA (US)

(57) **CLAIM**

(*) Notice: This patent is subject to a terminal dis-
claimer.

The ornamental design for a single-sole shoe with green sole,
as shown and described.

(**) Term: **14 Years**

DESCRIPTION

(21) Appl. No.: **29/489,788**

The file of this patent contains at least one drawing executed
in color. Copies of this patent with color drawing(s) will be
provided by the Office upon request and payment of the
necessary fee.

(22) Filed: **May 2, 2014**

(51) **LOC (10) Cl.** **02-04**

(52) **U.S. Cl.**
USPC **D2/939**

(58) **Field of Classification Search**
USPC D2/896, 900, 919–921, 925, 939, 947,
D2/950, 969, 971; 36/1, 83, 8.1–8.3, 9 R,
36/45–58, 104, 108, 76 R
CPC A43B 21/00; A43B 21/02; A43B 21/06;
A43B 9/14; A43B 1/0045; A43B 13/10;
A43B 13/12; A43B 23/06; A43B 23/07;
A43B 1/0036

FIG. 1 is a perspective view of a single-sole shoe with green
sole shaded to show the color green, showing our new design;
FIG. 2 is a first side view thereof;
FIG. 3 is a second side view thereof;
FIG. 4 is a top view thereof;
FIG. 5 is a bottom view thereof;
FIG. 6 is a front view thereof;
FIG. 7 is a rear view thereof;
FIG. 8 is a perspective view of a second embodiment of our
new design of a single-sole shoe with green sole, where the
green portions are indicated using the USPTO convention of
solid diagonal lines extending from the upper left to the lower
right for green;
FIG. 9 is a first side view thereof;
FIG. 10 is a second side view thereof;
FIG. 11 is a top view thereof;
FIG. 12 is a bottom view thereof;
FIG. 13 is a front view thereof; and,
FIG. 14 is a rear view thereof.

See application file for complete search history.

The broken lines illustrating the channel on the green sole in
the above described Figures are for illustrative purposes only
and form no part of the claimed design.

(56) **References Cited**

U.S. PATENT DOCUMENTS

249,086 A 11/1881 Pienovi
773,850 A 11/1904 Cooper et al.

(Continued)

FOREIGN PATENT DOCUMENTS

DE 20 2006 000230 U1 5/2007
GB 2443937 A 5/2008

(Continued)

1 Claim, 12 Drawing Sheets
(5 of 12 Drawing Sheet(s) Filed in Color)



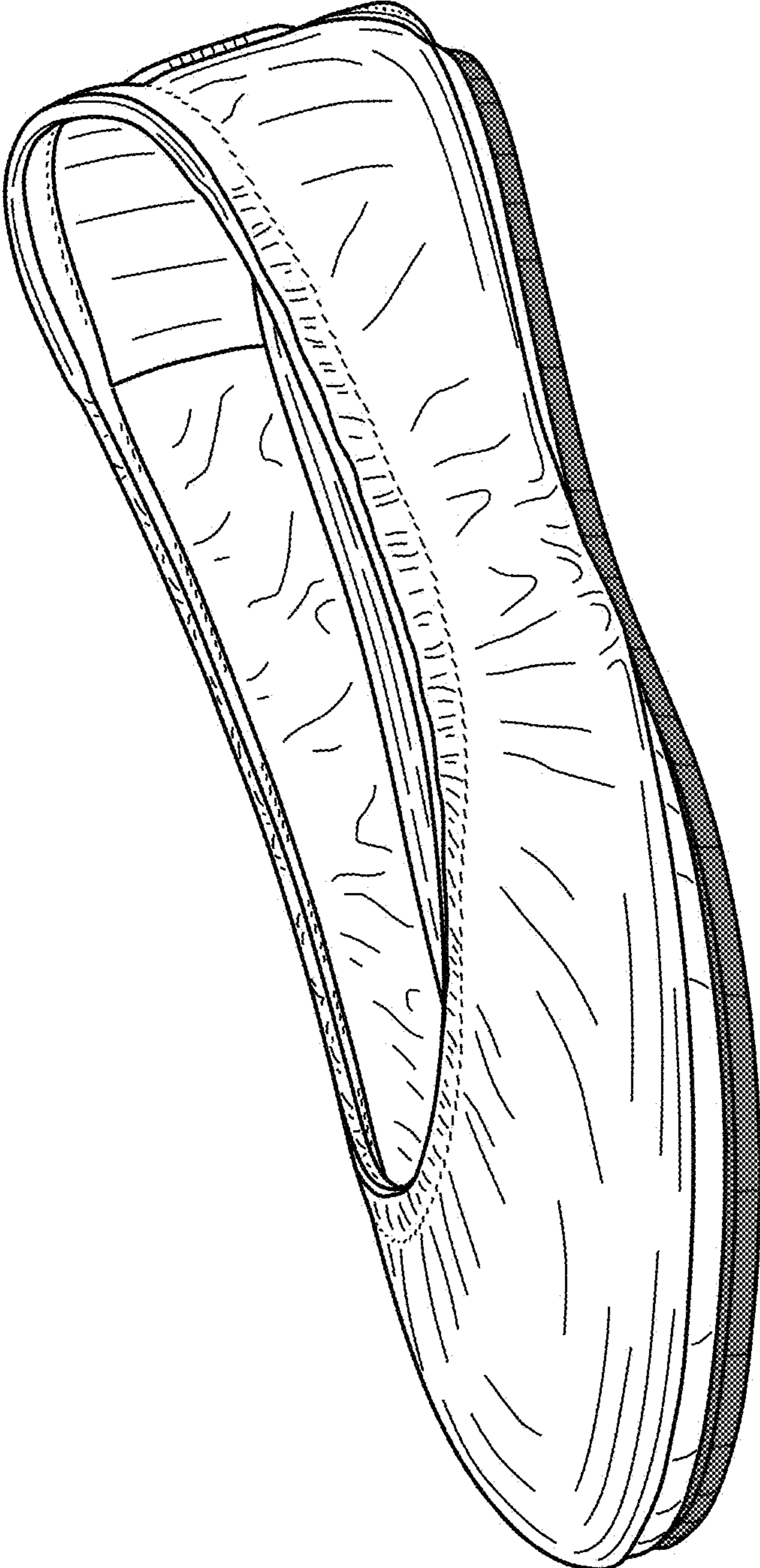


FIG. 1

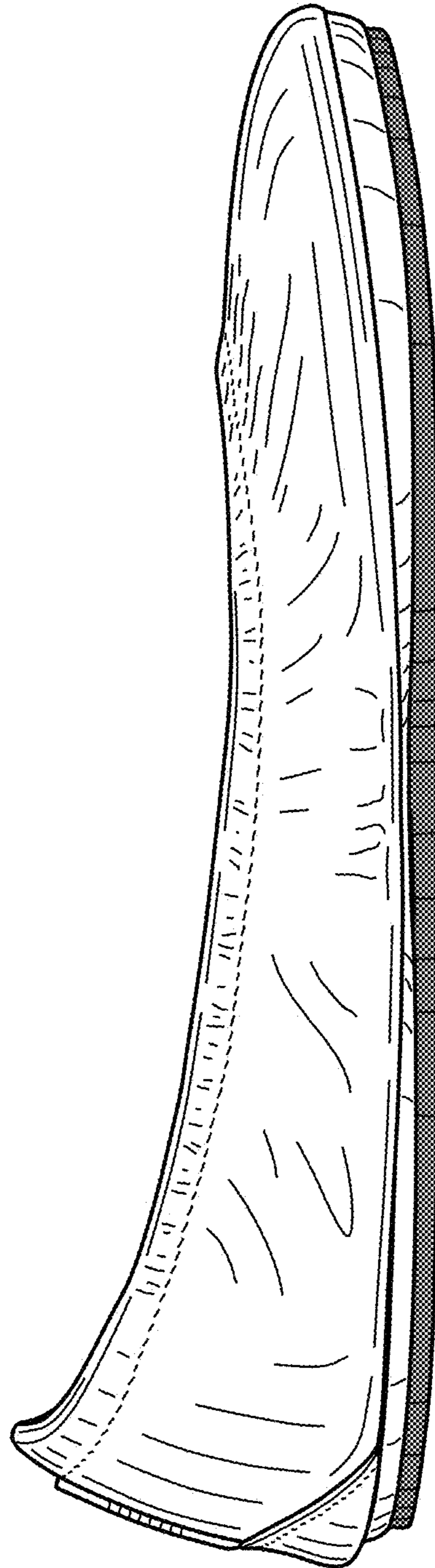


FIG. 2

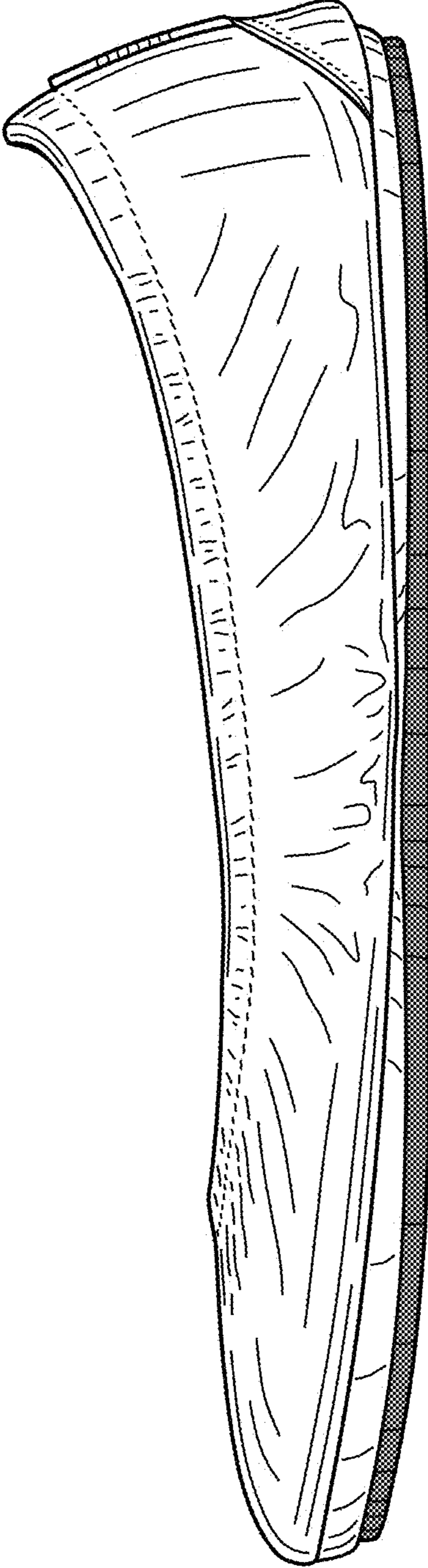


FIG. 3

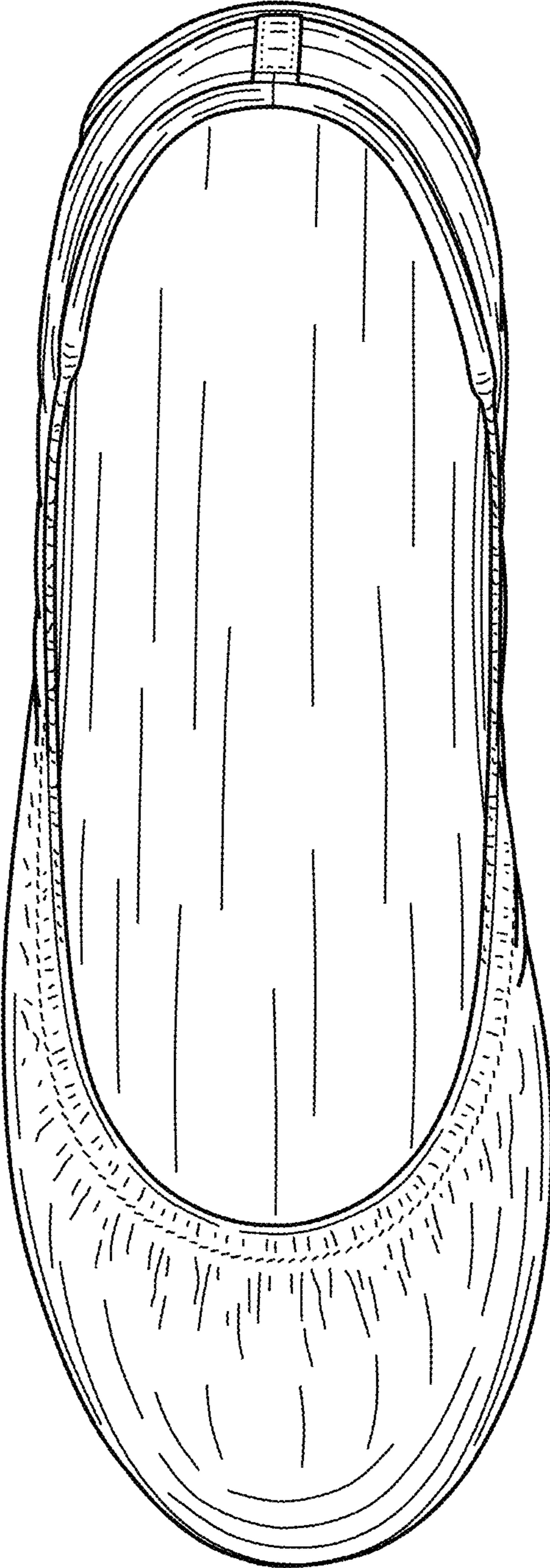


FIG. 4

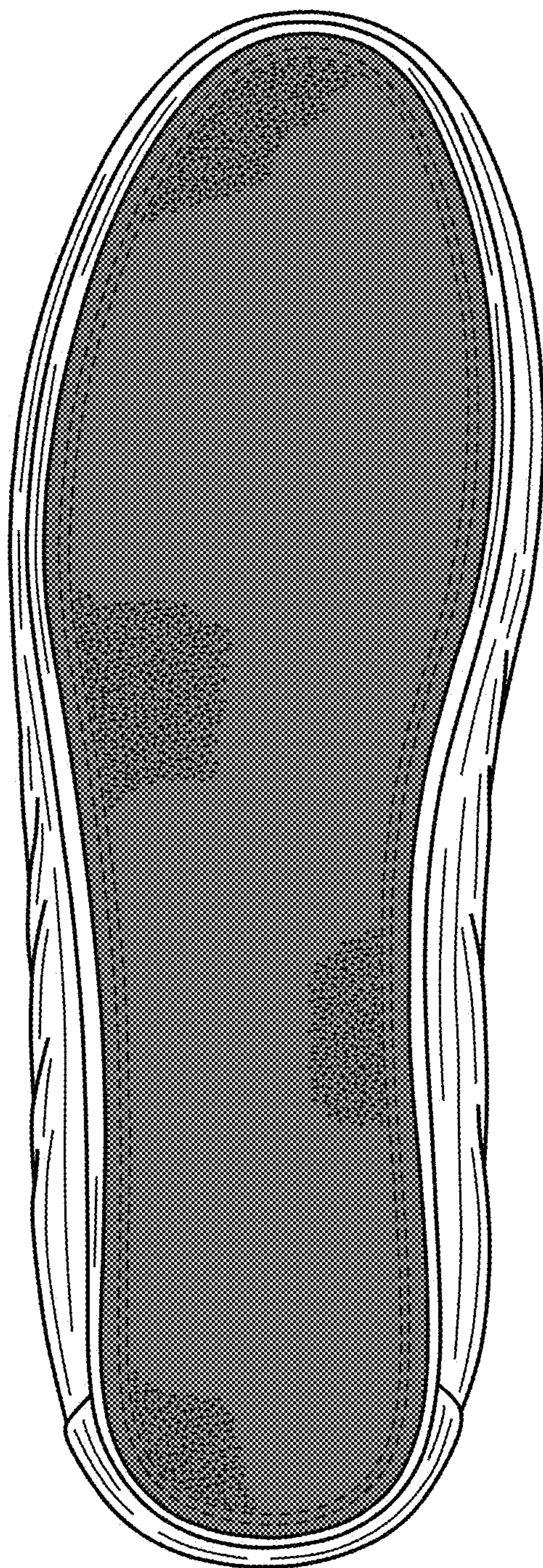


FIG. 5

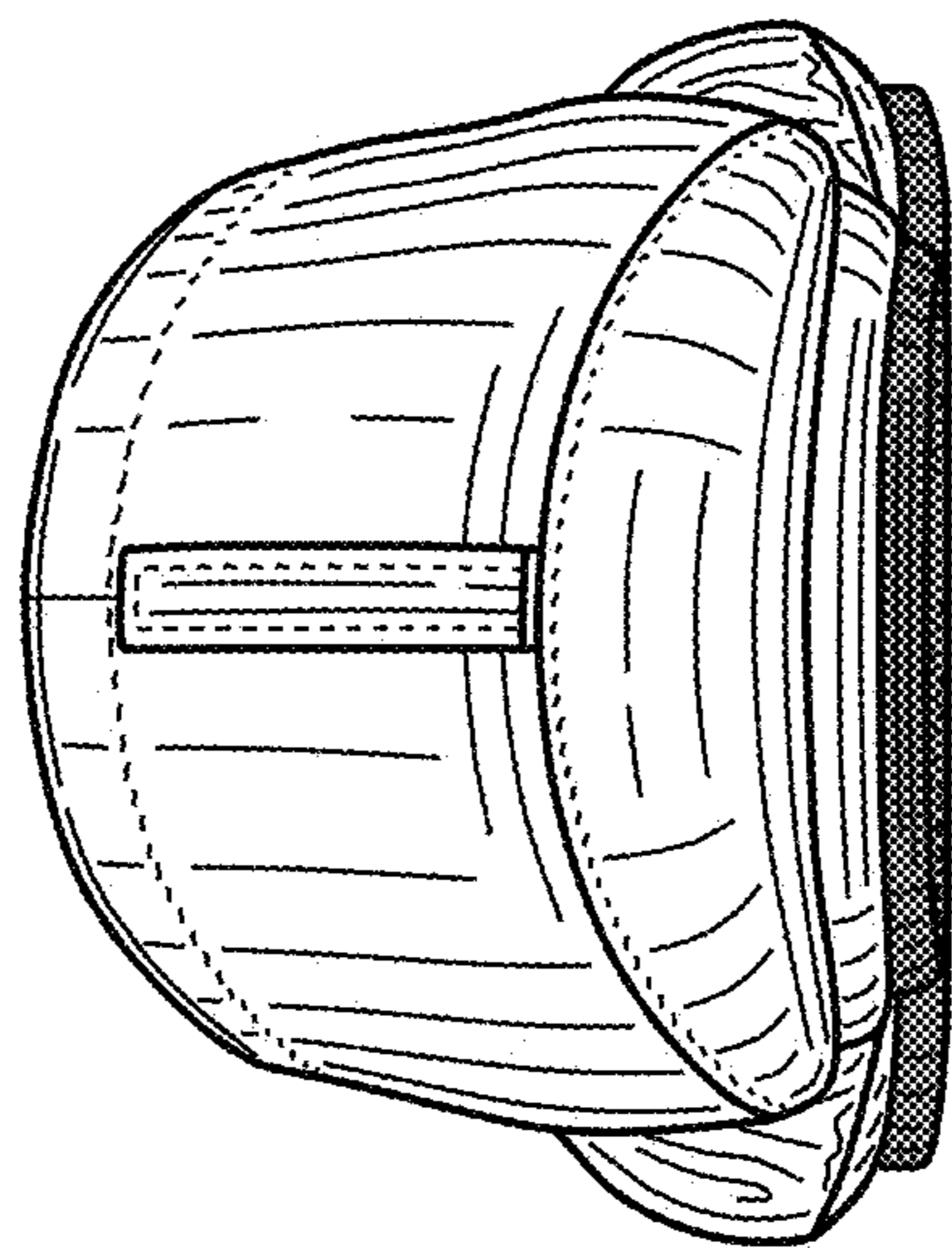


FIG. 7

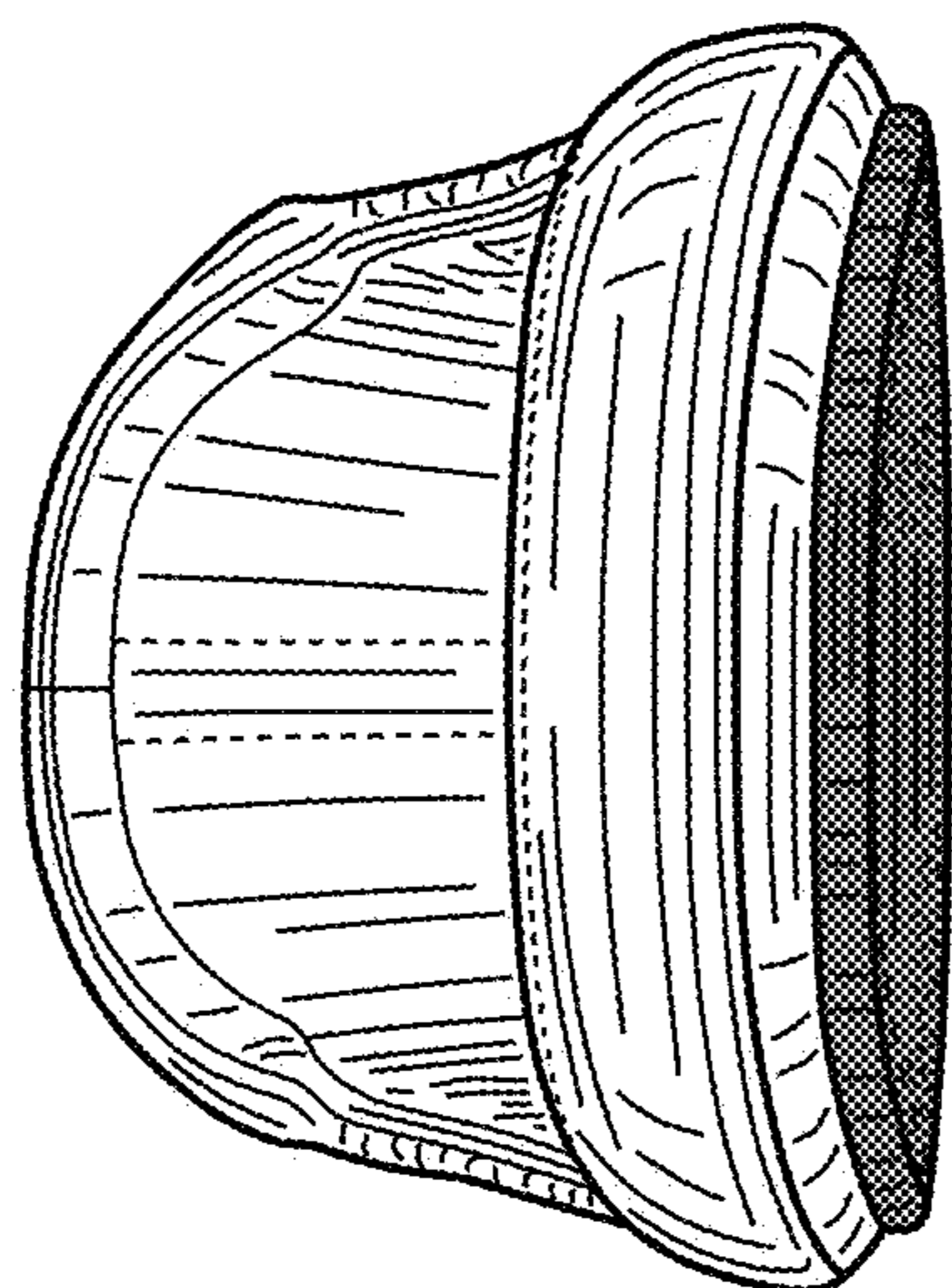


FIG. 6

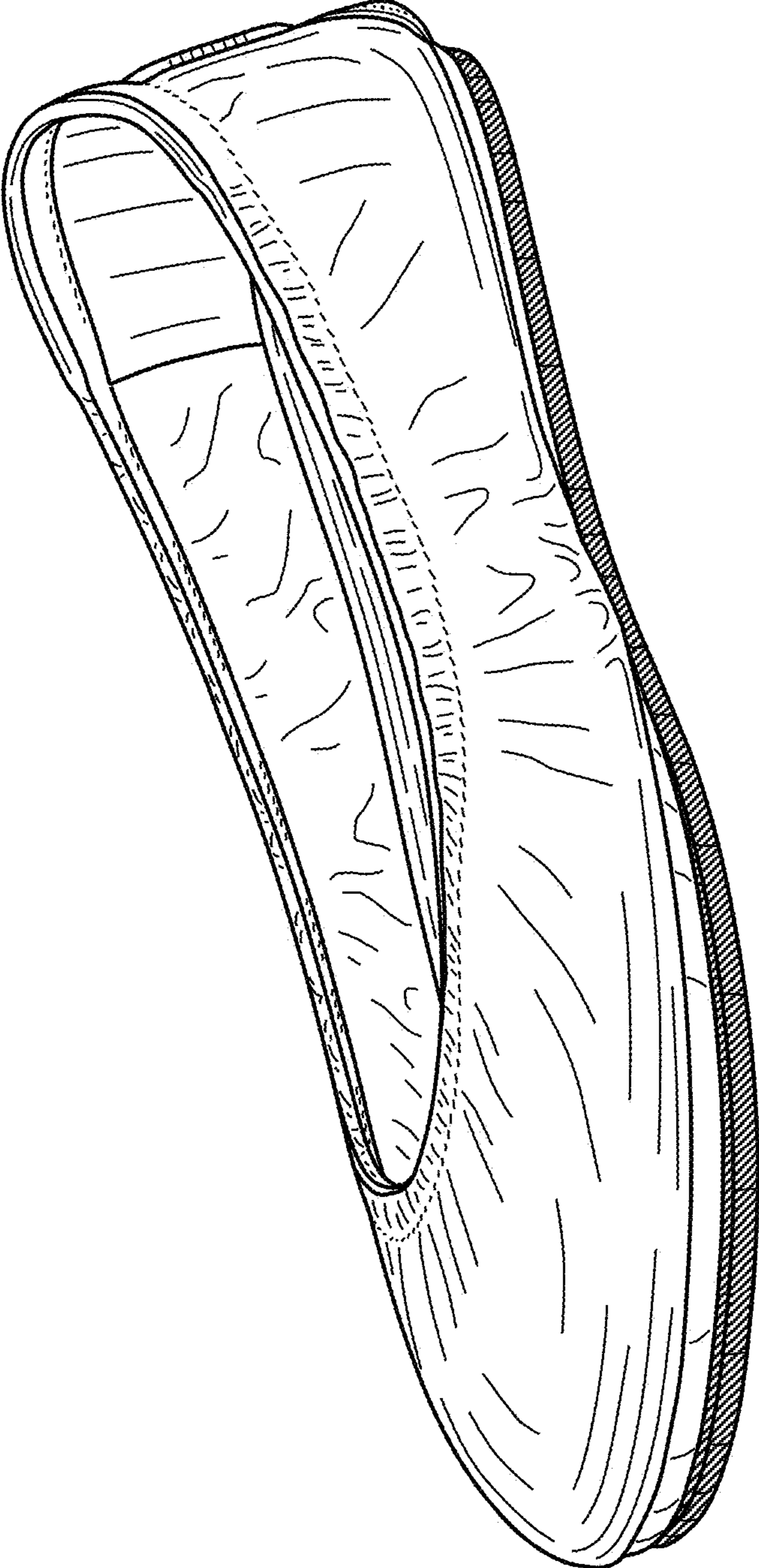


FIG. 8

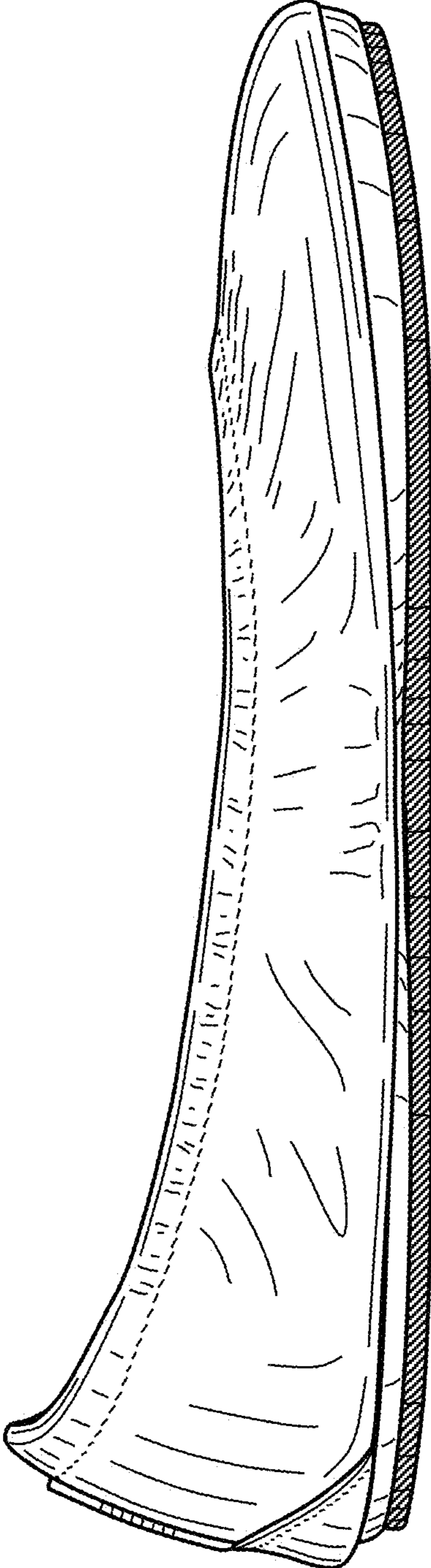


FIG. 9

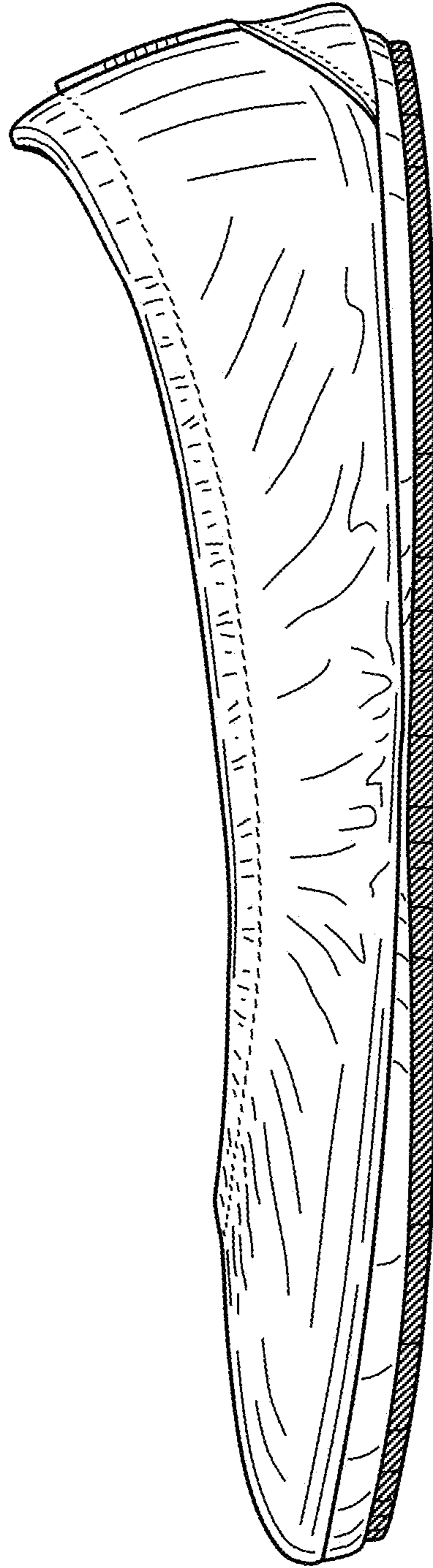


FIG. 10

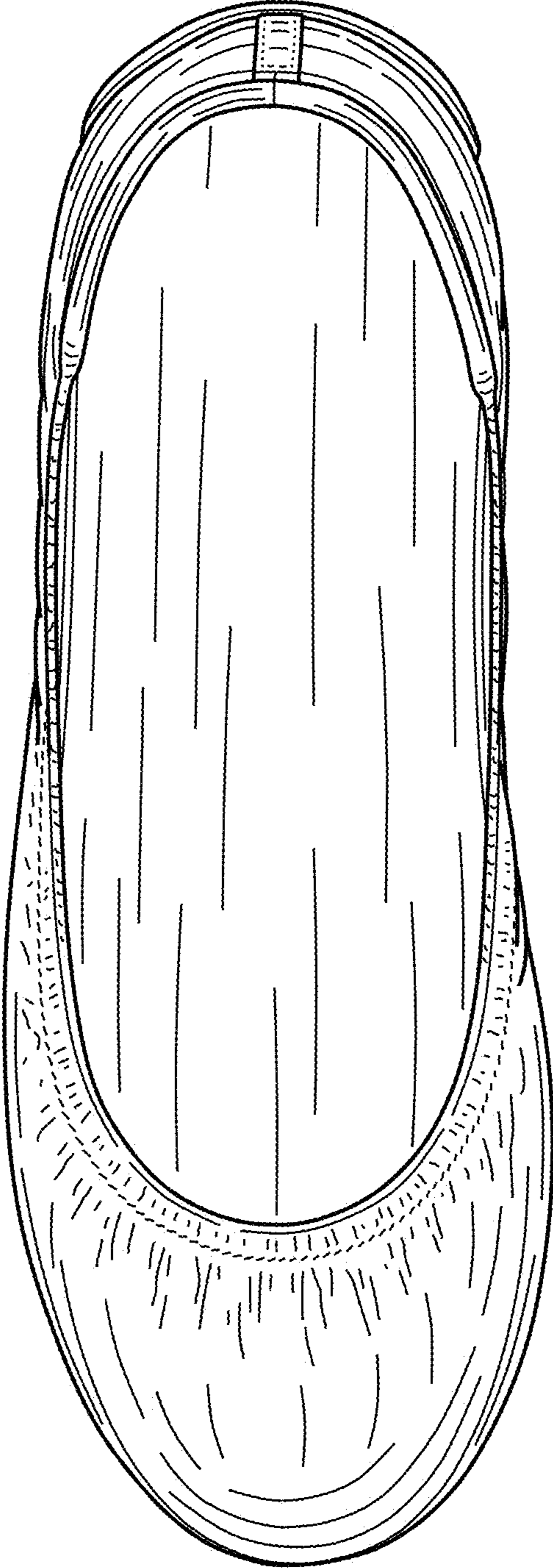


FIG. 11

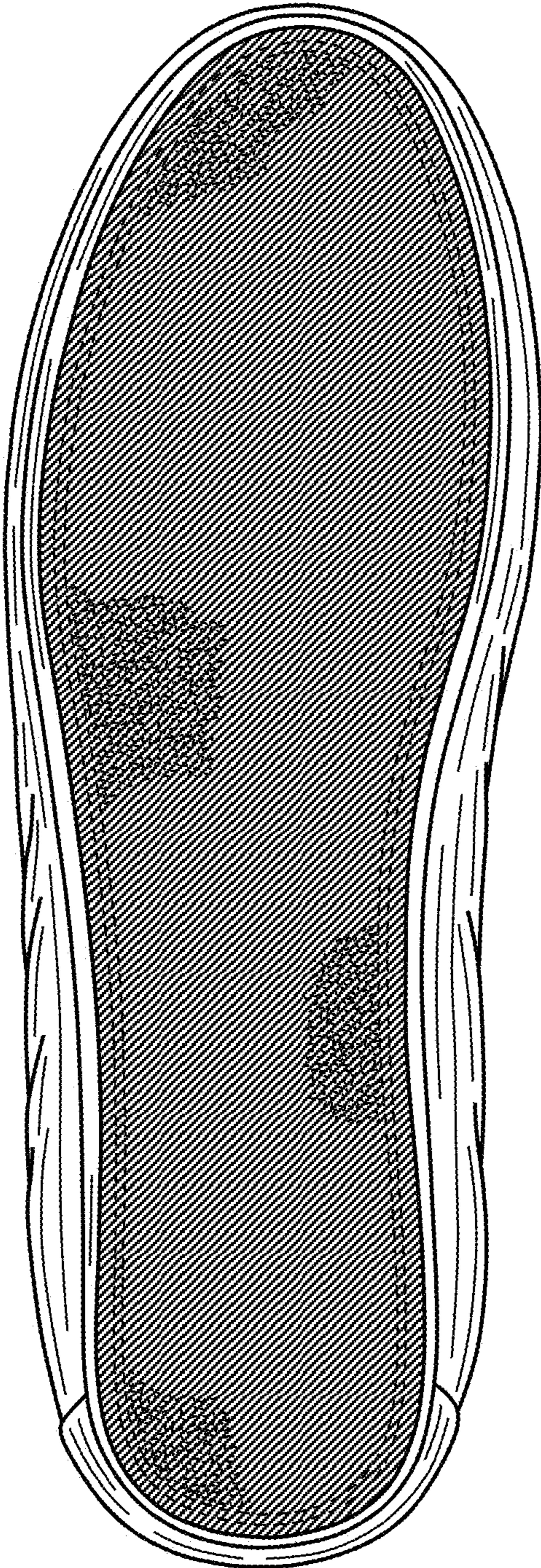


FIG. 12

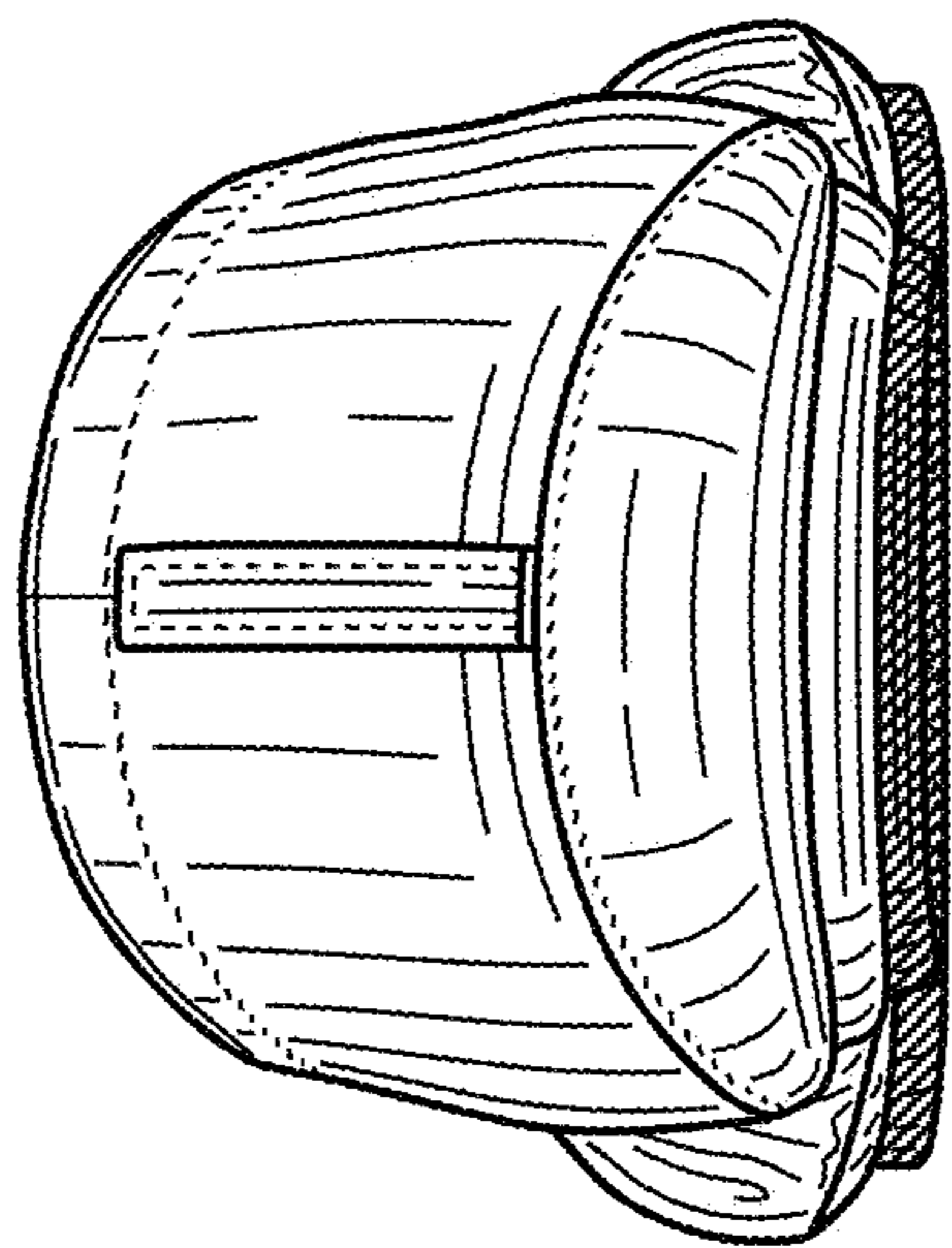


FIG. 14

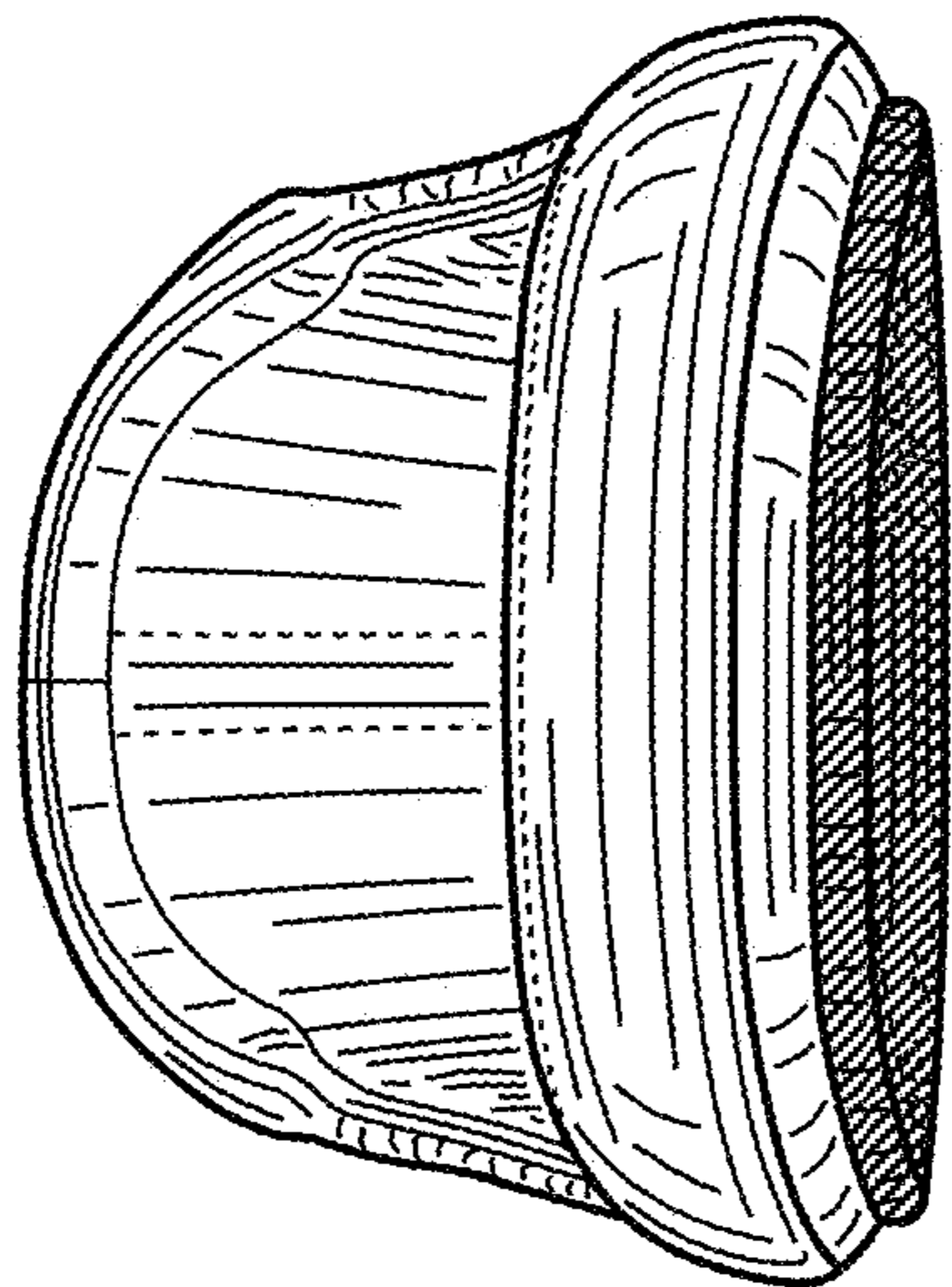


FIG. 13