



US00D756075S

(12) **United States Design Patent**
Reinhart et al.

(10) **Patent No.:** **US D756,075 S**
(45) **Date of Patent:** **** May 17, 2016**

(54) **HEADWEAR**

(71) Applicant: **Centrex Plastics, LLC**, Findlay, OH
(US)

(72) Inventors: **Terrence Lee Reinhart**, Findlay, OH
(US); **Nickolas Lee Reinhart**, Findlay,
OH (US)

(73) Assignee: **Centrex Plastics, LLC**, Findlay, OH
(US)

(**) Term: **14 Years**

(21) Appl. No.: **29/478,807**

(22) Filed: **Jan. 8, 2014**

(51) **LOC (10) Cl.** **02-03**

(52) **U.S. Cl.**

USPC **D2/891**

(58) **Field of Classification Search**

USPC D2/865, 866, 867, 868, 869, 870, 871,
D2/872, 873, 874, 875, 876, 878, 879, 881,
D2/882, 883, 884, 889, 890, 891, 892, 893,
D2/894, 895; 2/195.6, 209.13, 10, 12, 171,
2/181, 422, 410, 425, 6.3, 6.4, 6.5, 6.7,
2/15, 431, 453, 454, 175.6, 195.1, 411

CPC A42B 1/062; A42B 1/063; A42B 1/064;
A42B 3/222; A42B 3/226; A42B 3/227

See application file for complete search history.

(56) **References Cited**

U.S. PATENT DOCUMENTS

592,298 A * 10/1897 Lattimore 2/195.1
636,259 A * 11/1899 Hallin 2/10
2,828,487 A * 4/1958 McNeill et al. 383/3
3,837,005 A * 9/1974 Persson 2/10
4,096,589 A * 6/1978 Goldstein 2/12
4,547,903 A * 10/1985 Brown et al. 2/12
4,630,317 A * 12/1986 Brown et al. 2/12
5,007,110 A * 4/1991 Gilbert 2/10

5,070,545 A 12/1991 Tapia
5,105,476 A * 4/1992 Cox 2/12
D358,006 S * 5/1995 Chisolm et al. D29/122
5,437,062 A * 8/1995 Douglas 2/195.1
5,471,684 A 12/1995 Casale
5,613,246 A 3/1997 Alexander
5,640,721 A * 6/1997 Jackson 2/171
5,689,830 A * 11/1997 Pflum 2/195.1
5,715,534 A 2/1998 Mobley
5,765,229 A 6/1998 Mcleod
5,870,772 A 2/1999 Sprouse
5,898,935 A 5/1999 Davis
6,237,156 B1 * 5/2001 Ellman et al. 2/195.1
6,370,696 B1 * 4/2002 Kronenberger 2/175.1
6,385,776 B2 5/2002 Linday
D478,712 S * 8/2003 Kirby D2/893

(Continued)

Primary Examiner — Karen E. Eldridge Powers

Assistant Examiner — Kimberly Barnes

(74) *Attorney, Agent, or Firm* — Banner & Witcoff, Ltd.

(57) **CLAIM**

The ornamental design for a headwear, as shown and described.

DESCRIPTION

FIG. 1 is a perspective view for a headwear showing our new design;

FIG. 2 is a front elevational view thereof;

FIG. 3 is a left side elevational view thereof;

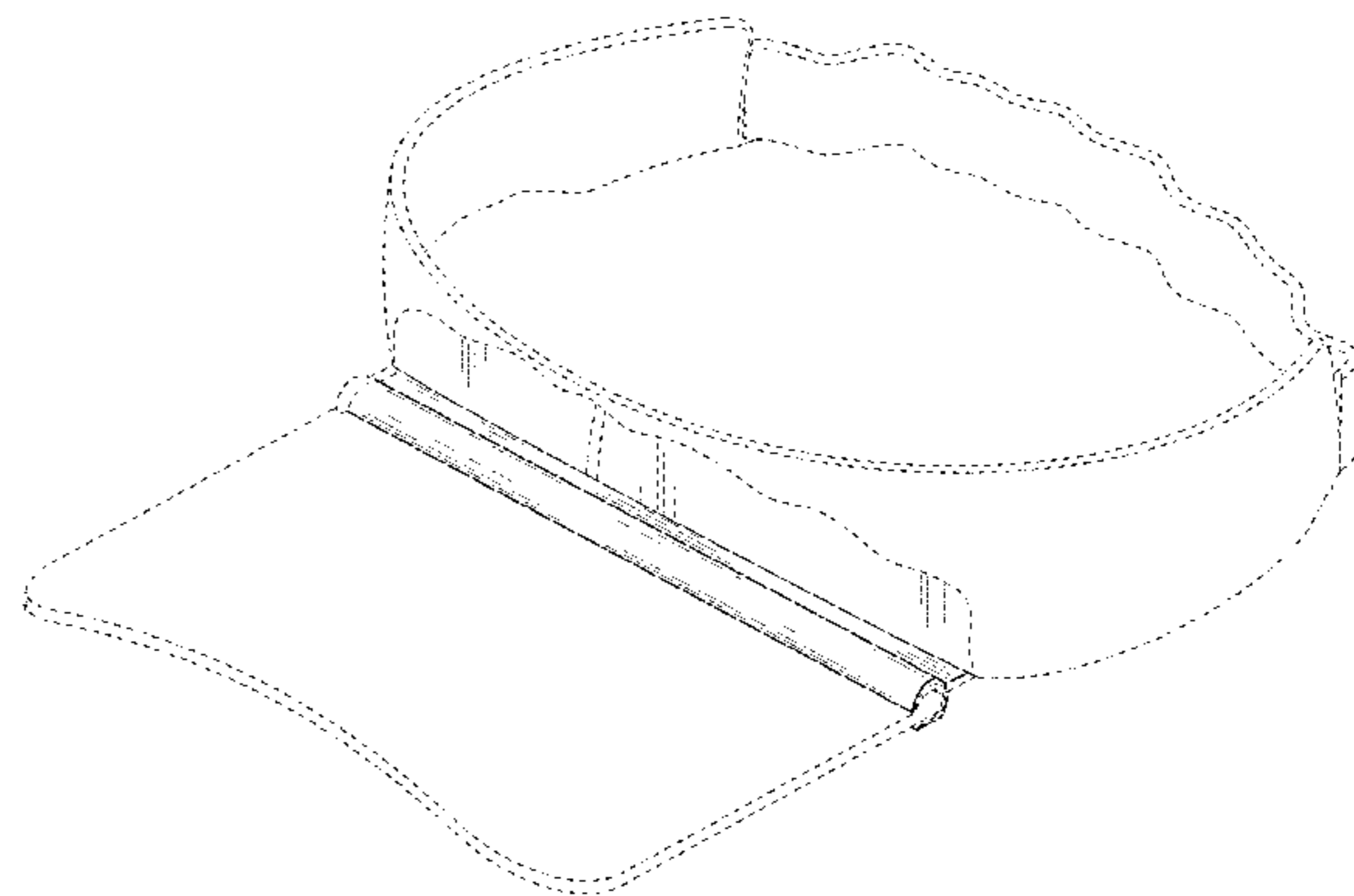
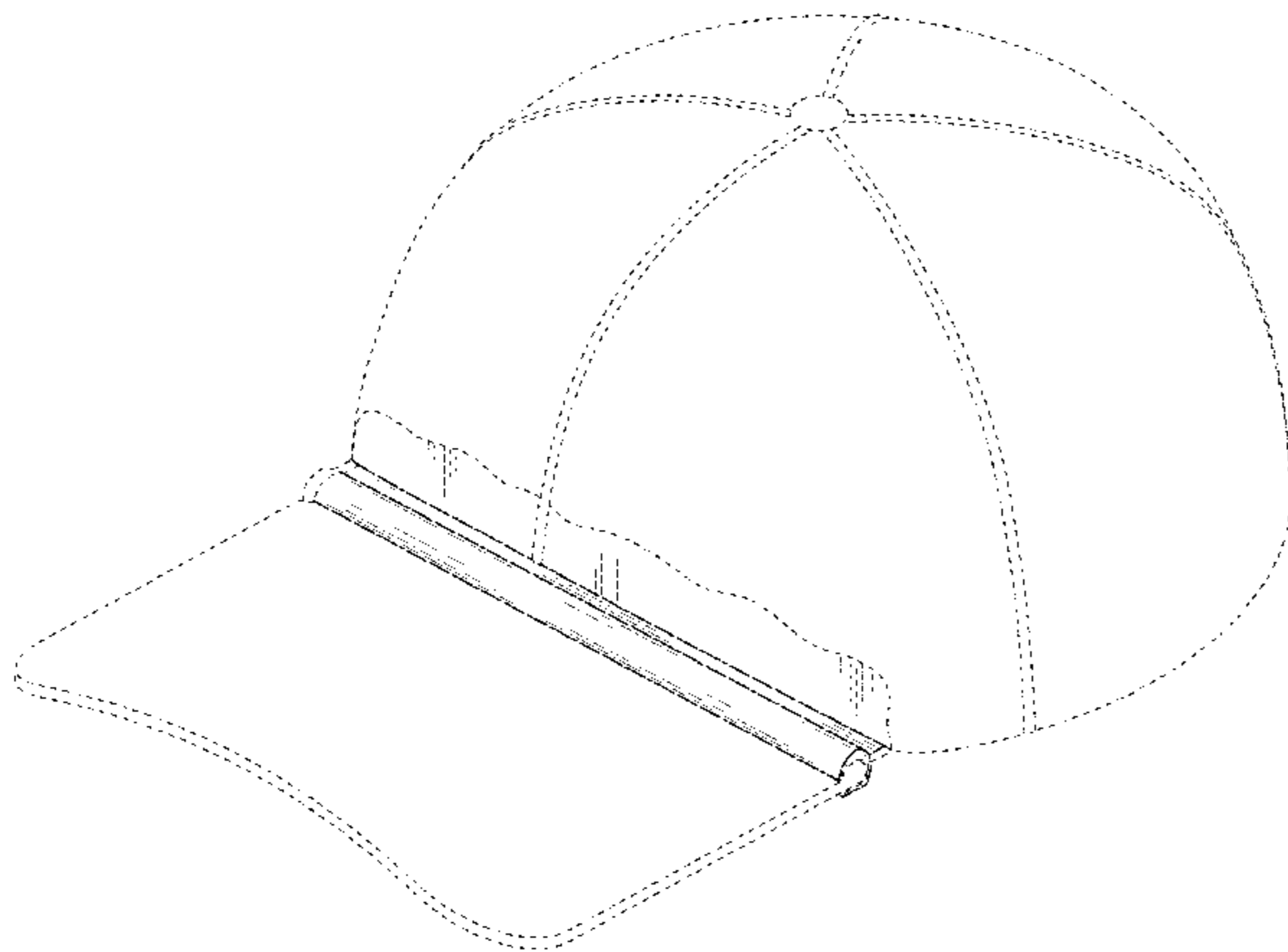
FIG. 4 is a right side elevational view thereof;

FIG. 5 is a top plan view thereof; and,

FIG. 6 is a perspective view showing an alternate use environment of the claimed design in FIGS. 1-5, the only difference being the configuration of the crown portion of the hat, it being understood that all other surfaces are the same as those shown in FIGS. 1-5.

The broken line showing of the remainder of the headwear is for environmental purposes only and forms no part of the claimed design.

1 Claim, 6 Drawing Sheets



(56)

References Cited

U.S. PATENT DOCUMENTS

D488,293 S 4/2004 Norway, Jr.
RE38,774 E * 8/2005 Davis 2/10
D627,956 S * 11/2010 Scott, Jr. D2/893

D635,336 S * 4/2011 Alger D2/866
8,327,464 B2 * 12/2012 Jaros 2/243.1
D714,859 S * 10/2014 DeLeon D16/340
D716,528 S * 11/2014 Badish D2/882
2015/0020292 A1 * 1/2015 Diaz et al. 2/171.2

* cited by examiner

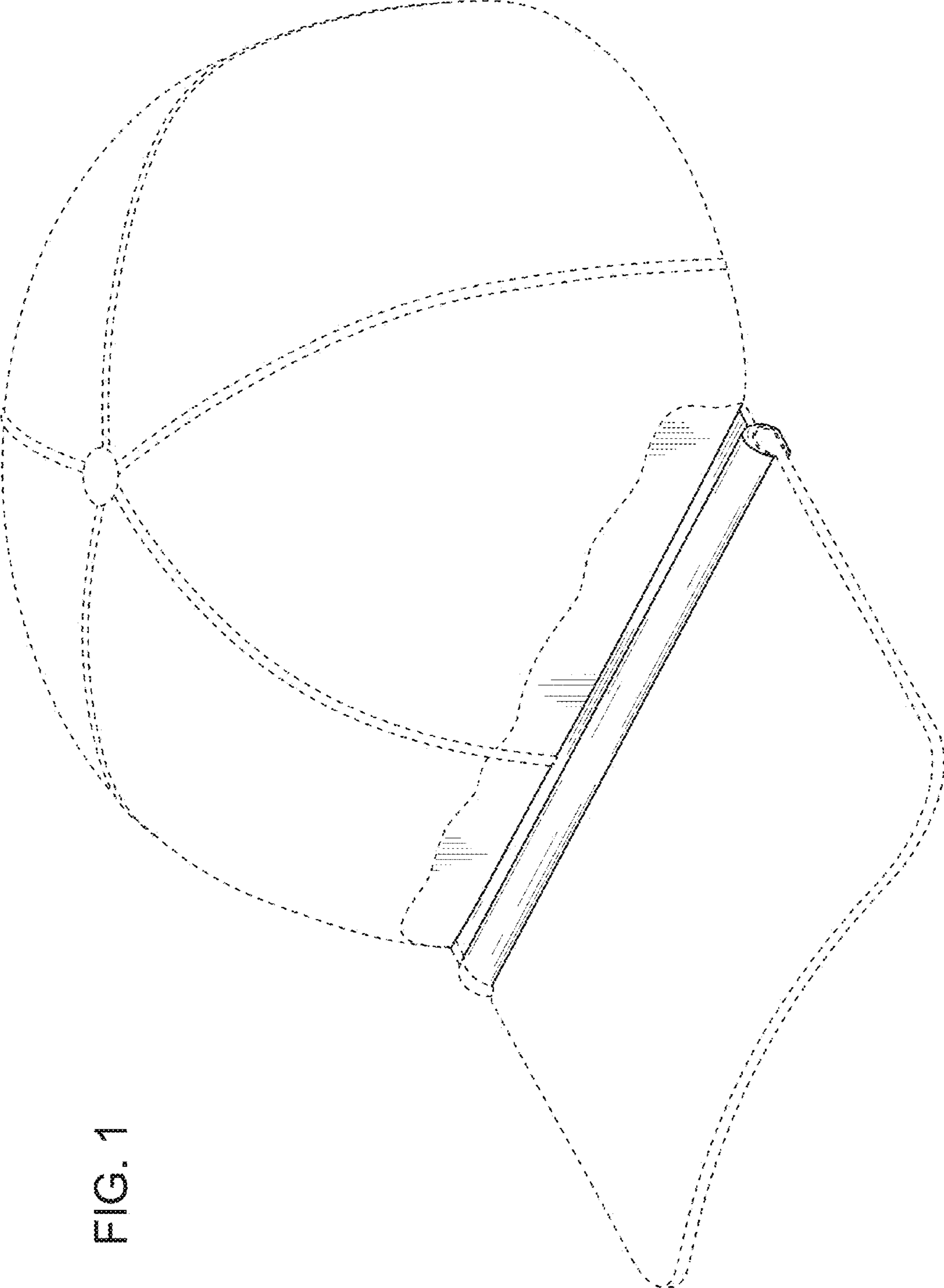


FIG. 1

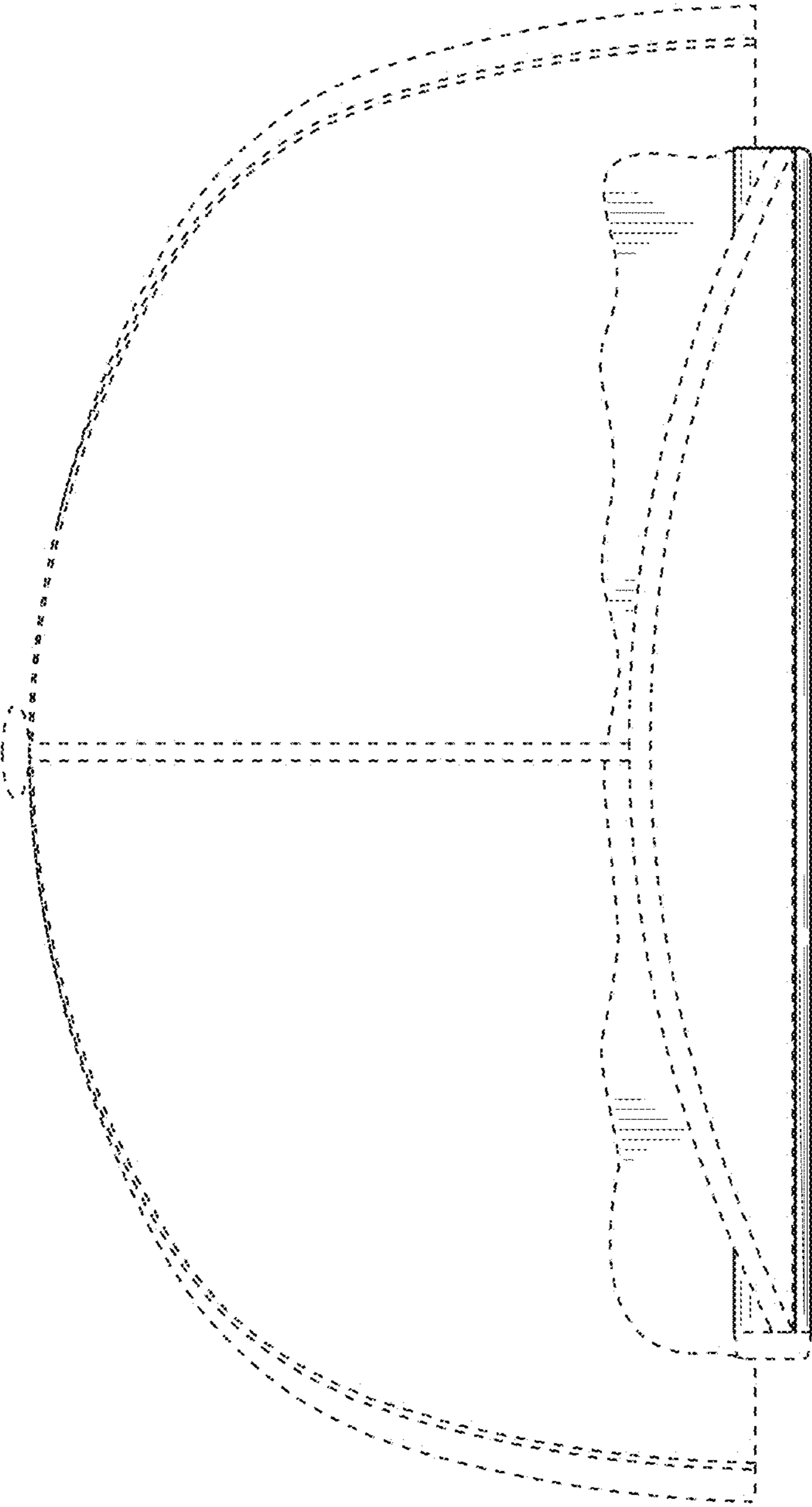


FIG. 2

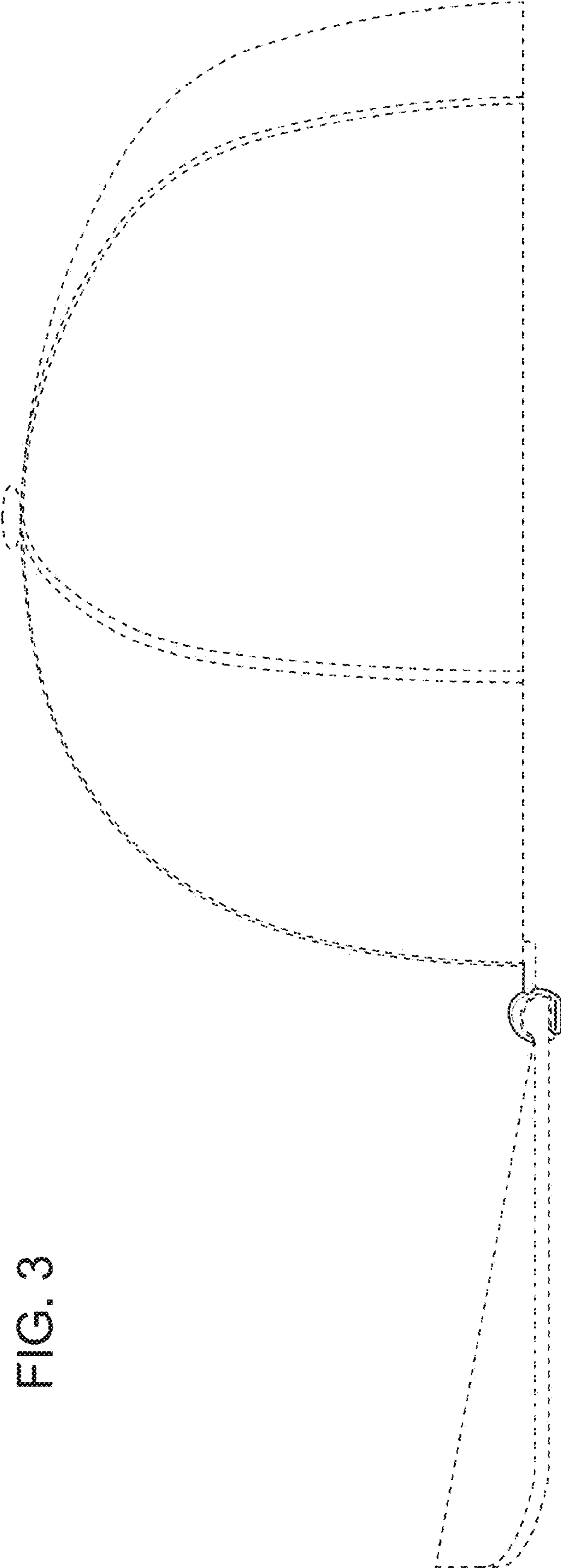


FIG. 3

FIG. 4

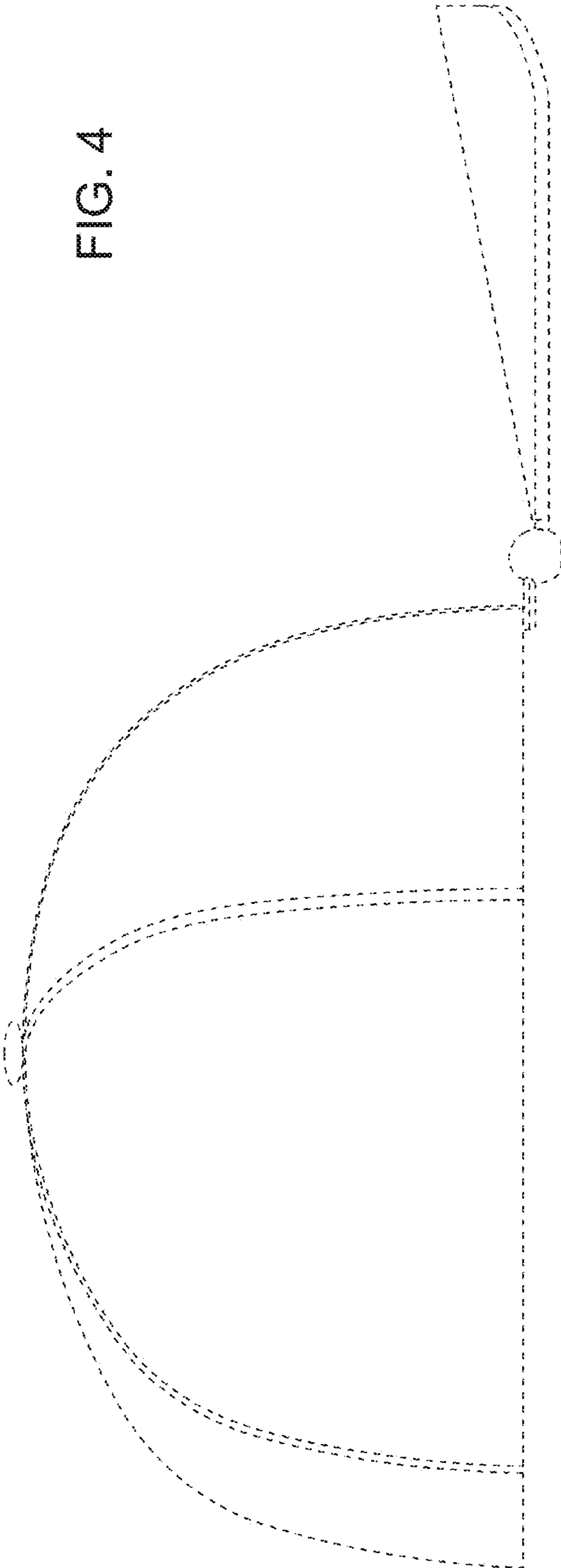
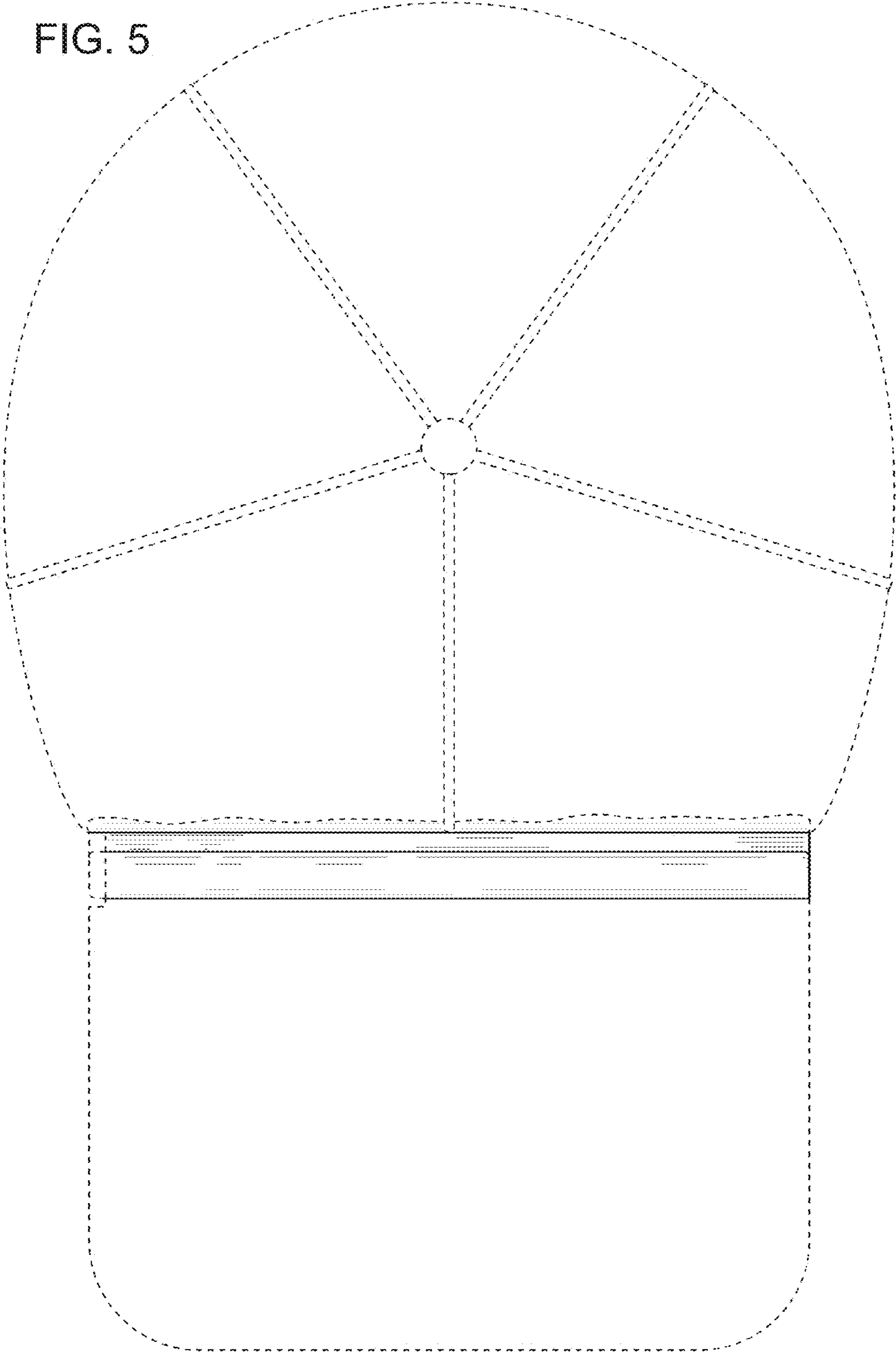


FIG. 5



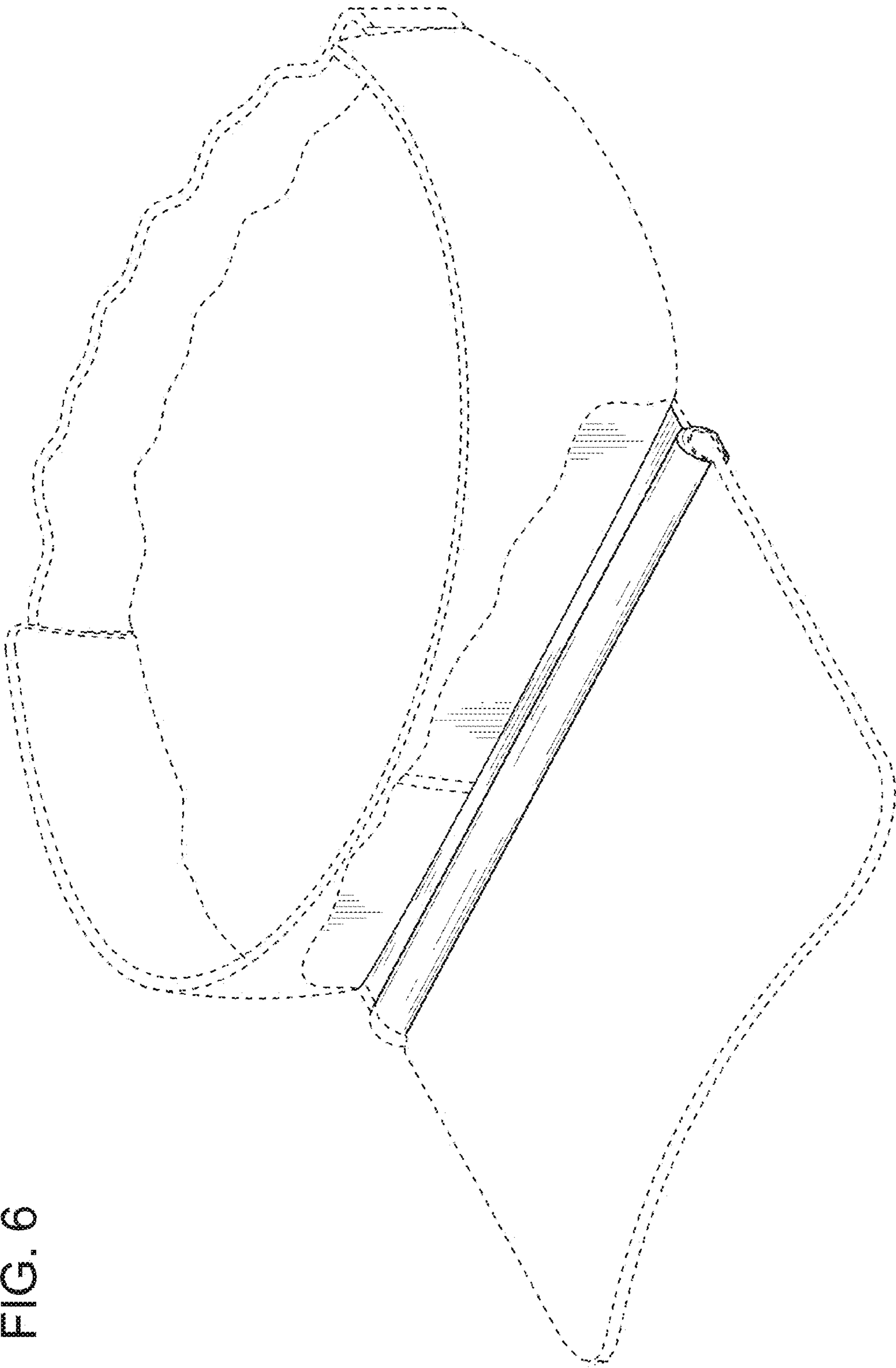


FIG. 6