



US00D756072S

(12) **United States Design Patent**
Goldmeier

(10) **Patent No.:** **US D756,072 S**
(45) **Date of Patent:** **** May 17, 2016**

- (54) **FESTIVE DUCK BILLED HAT**
- (71) Applicant: **Steven Goldmeier**, Plainview, NY (US)
- (72) Inventor: **Steven Goldmeier**, Plainview, NY (US)
- (**) Term: **14 Years**
- (21) Appl. No.: **29/495,810**
- (22) Filed: **Jul. 3, 2014**
- (51) **LOC (10) Cl.** **02-03**
- (52) **U.S. Cl.**
USPC **D2/869**
- (58) **Field of Classification Search**
USPC D2/865, 866, 869, 889, 872, 882, 875,
D2/878, 879, 886, 894
CPC A42B 1/004; A42B 1/006; A42B 1/04;
A42B 1/041; A42B 1/201; A42B 1/24;
A42B 1/248; A42B 1/22; A42B 1/247;
A42C 5/00
See application file for complete search history.

- D501,980 S * 2/2005 Siebert D2/869
- 7,690,052 B2 * 4/2010 Saladino A42B 1/247
2/10
- D621,592 S * 8/2010 Gargotta D2/882
- D639,533 S * 6/2011 Holtzhauer D2/889
- D671,717 S * 12/2012 Promo D2/889

(Continued)

OTHER PUBLICATIONS

Duck Dynasty Santa Hat on eBay (on-line), date not available. Retrieved from Internet Jan. 10, 2016, URL: <http://www.ebay.com/itm/Duck-Dynasty-Santa-Hat-Duckbill-bill-new-nwt-yellow-Christmas-/401052055733?hash=item5d6090b8b5:g:REgAAOxy63FS1BRj> (3 pages).*

Primary Examiner — Karen E. Eldridge Powers
Assistant Examiner — Kimberly Barnes
(74) *Attorney, Agent, or Firm* — Alfred M Walker

(57) **CLAIM**
I claim the ornamental design for a festive duck billed hat, as shown and described.

(56) **References Cited**

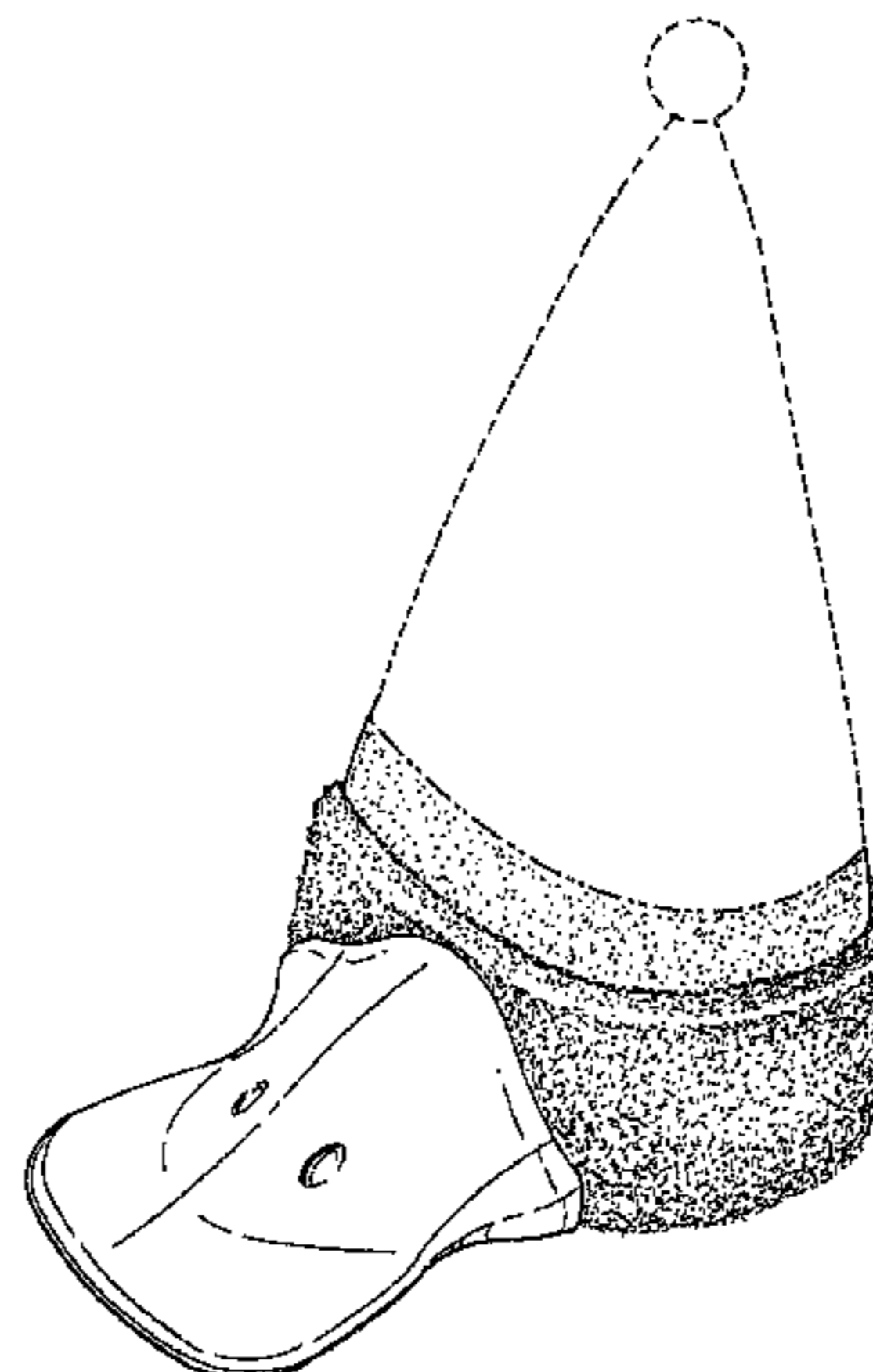
U.S. PATENT DOCUMENTS

- D156,408 S 12/1949 Cohn
- 3,287,737 A * 11/1966 Schuessler A42B 1/041
2/173
- D216,768 S * 3/1970 Hicks 24/20 LS
- D250,497 S * 12/1978 Rocheleau D2/875
- D277,426 S * 2/1985 Eisinger D2/879
- D351,272 S * 10/1994 Hyer D2/869
- D362,743 S 10/1995 Martin
- D379,257 S * 5/1997 Leinoff D2/894
- D391,389 S * 3/1998 Ramirez, Jr. D2/882
- D402,090 S * 12/1998 Turocy D2/869
- 5,894,603 A * 4/1999 Capozzi A42B 1/22
2/171.02
- D417,064 S * 11/1999 Gosnell D2/866
- 6,007,212 A * 12/1999 Chan A42B 1/004
362/105
- D440,744 S * 4/2001 Shu D2/882
- D455,001 S * 4/2002 Soergel D2/882
- D455,538 S 4/2002 Rhoden
- D456,662 S * 5/2002 Tweel D6/611
- D478,613 S * 8/2003 McCray D17/24

DESCRIPTION

FIG. 1 is a perspective view of the festive duck billed hat, shown upon the head of a wearer, with the conical peak shown in a relaxed loose position;
FIG. 2 is a top right side perspective view of the festive duck billed hat, with the conical peak shown in an upright position;
FIG. 3 is a left side elevation view thereof;
FIG. 4 is a front elevation view thereof;
FIG. 5 is a rear elevation view thereof;
FIG. 6 is a right side elevation view thereof;
FIG. 7 is a top plan view thereof; and,
FIG. 8 is a bottom plan view thereof.
The depiction of the head of the wearer and the conical peak of the festive duck billed hat shown in dashed lines illustrate environmental structure. The bounds of the claim are shown in dash-dot-dot-dash lines. None of the subject matter illustrated in dashed lines forms a part of the claimed design.

1 Claim, 4 Drawing Sheets



(56)

References Cited

U.S. PATENT DOCUMENTS

D693,098 S *	11/2013	Giancola	D2/882
D696,496 S *	12/2013	Hjalmarson	D2/878
D727,151 S *	4/2015	Leitch	D2/889
D675,403 S *	2/2013	McGoogan	D2/878

* cited by examiner

Fig. 1

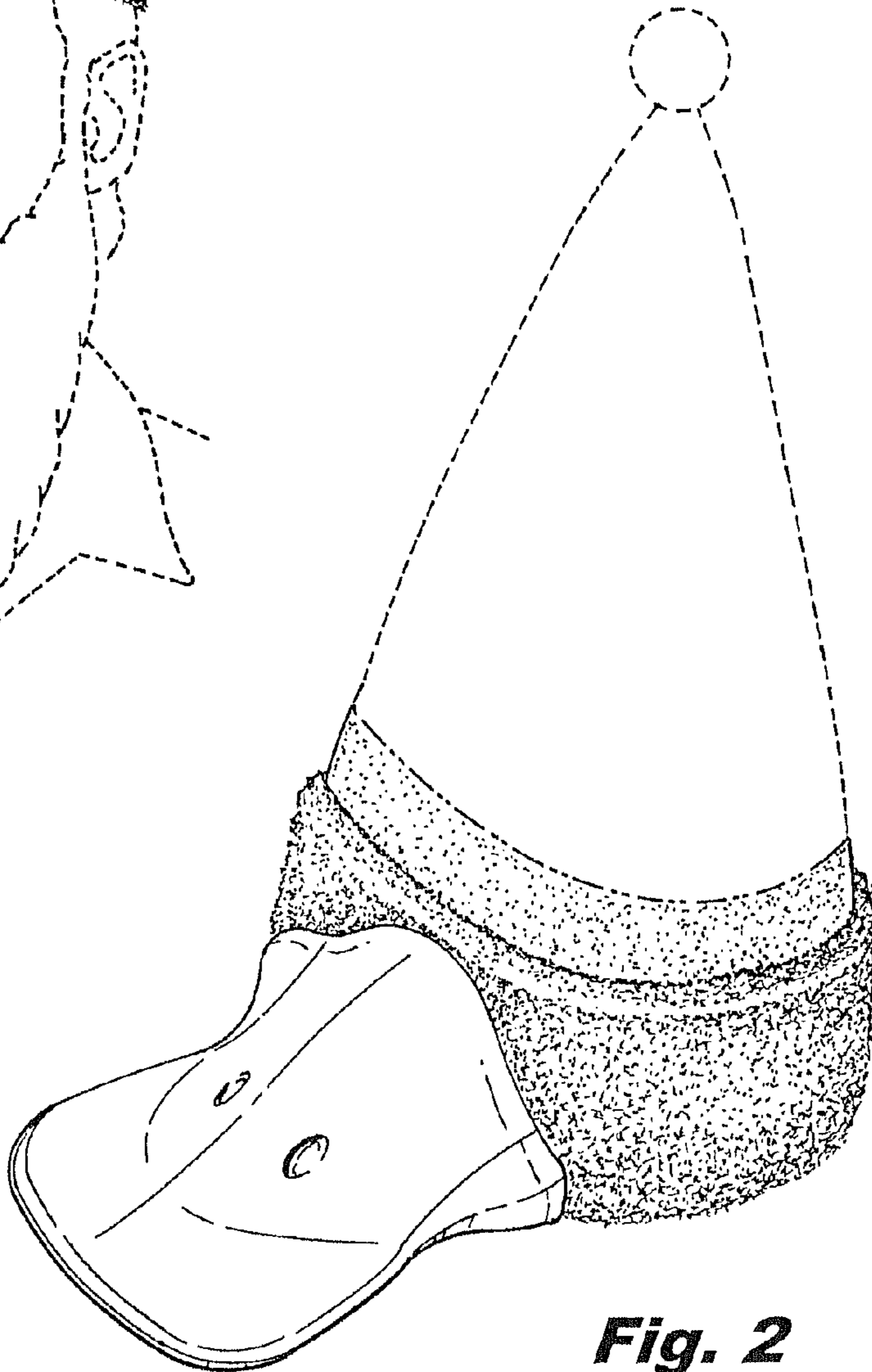
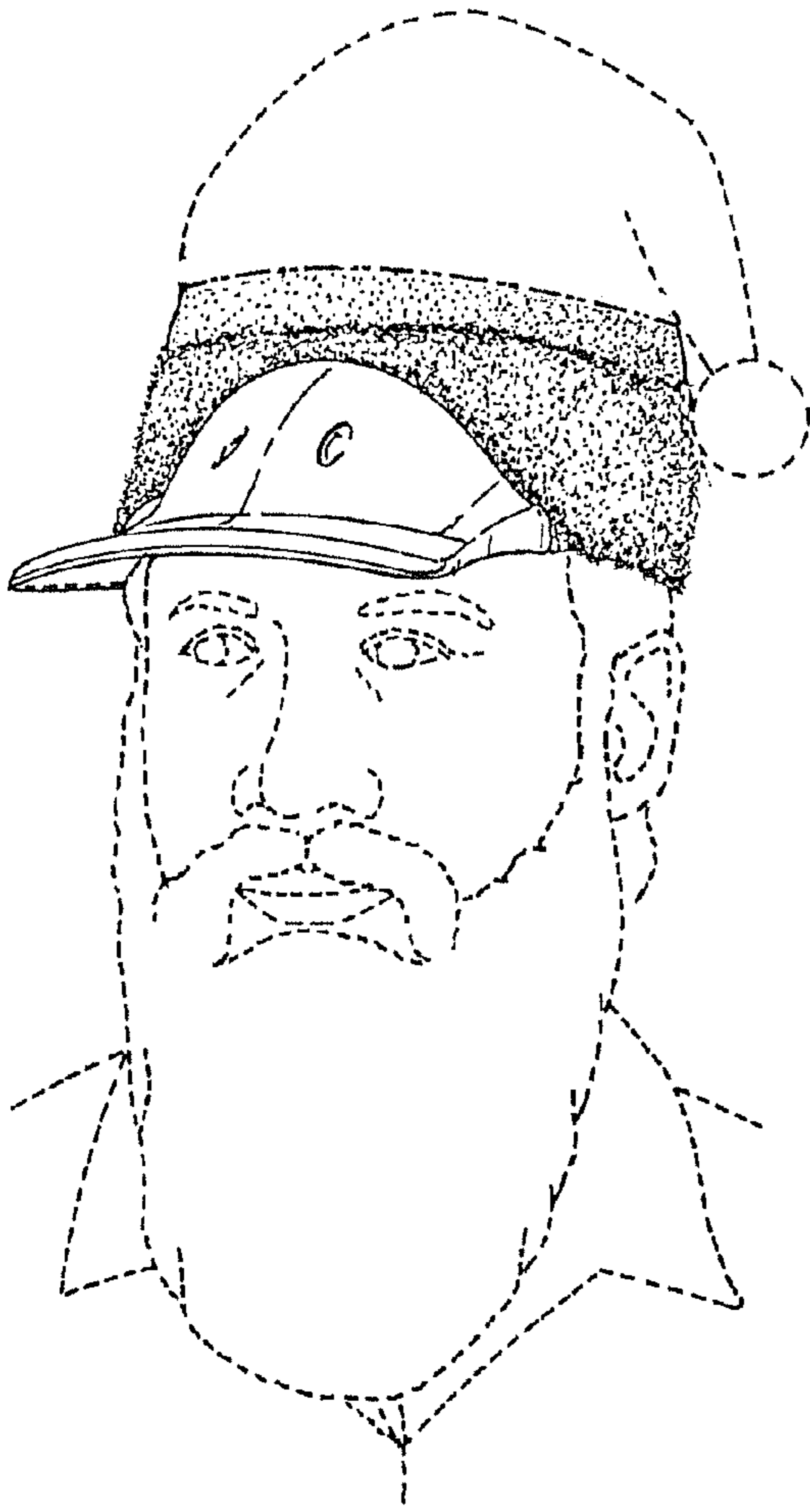


Fig. 2

Fig. 3

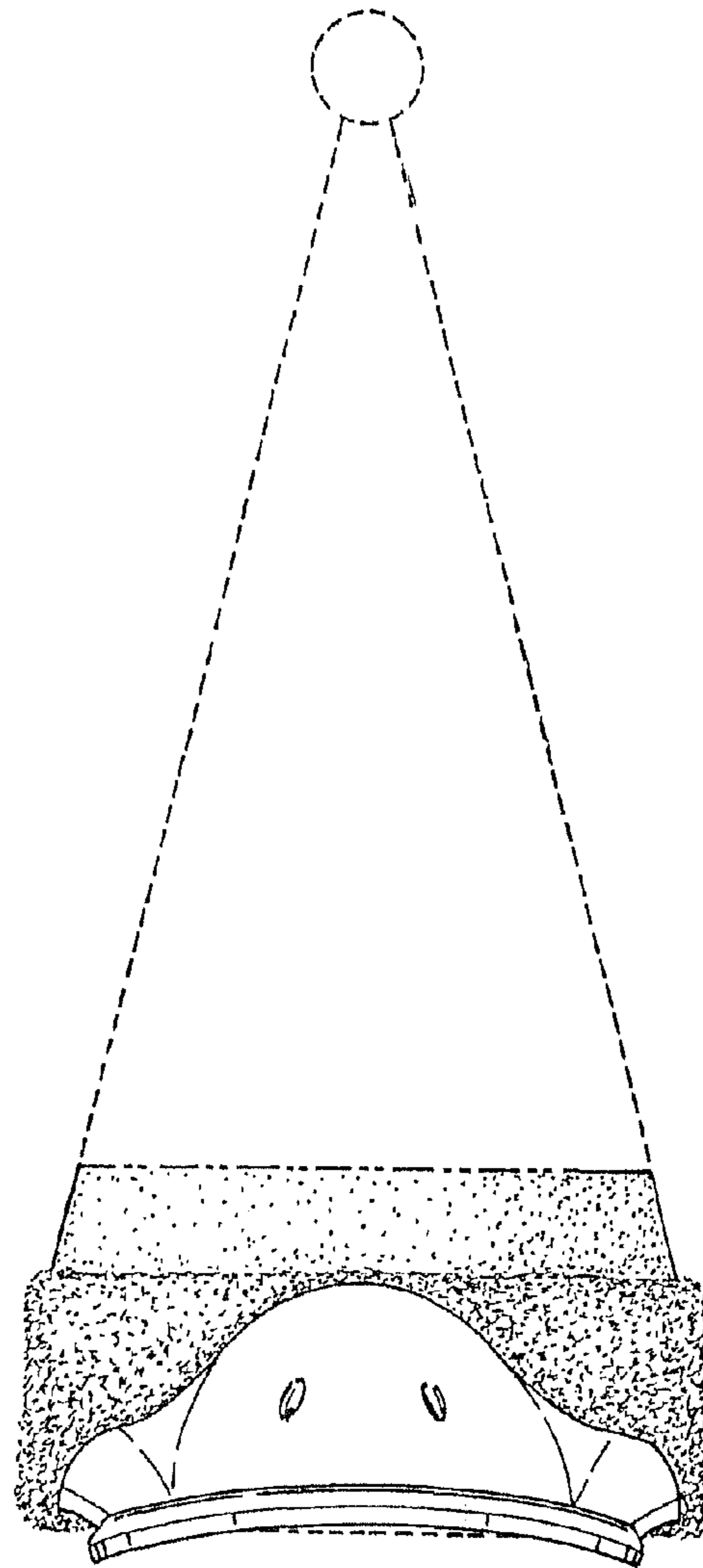
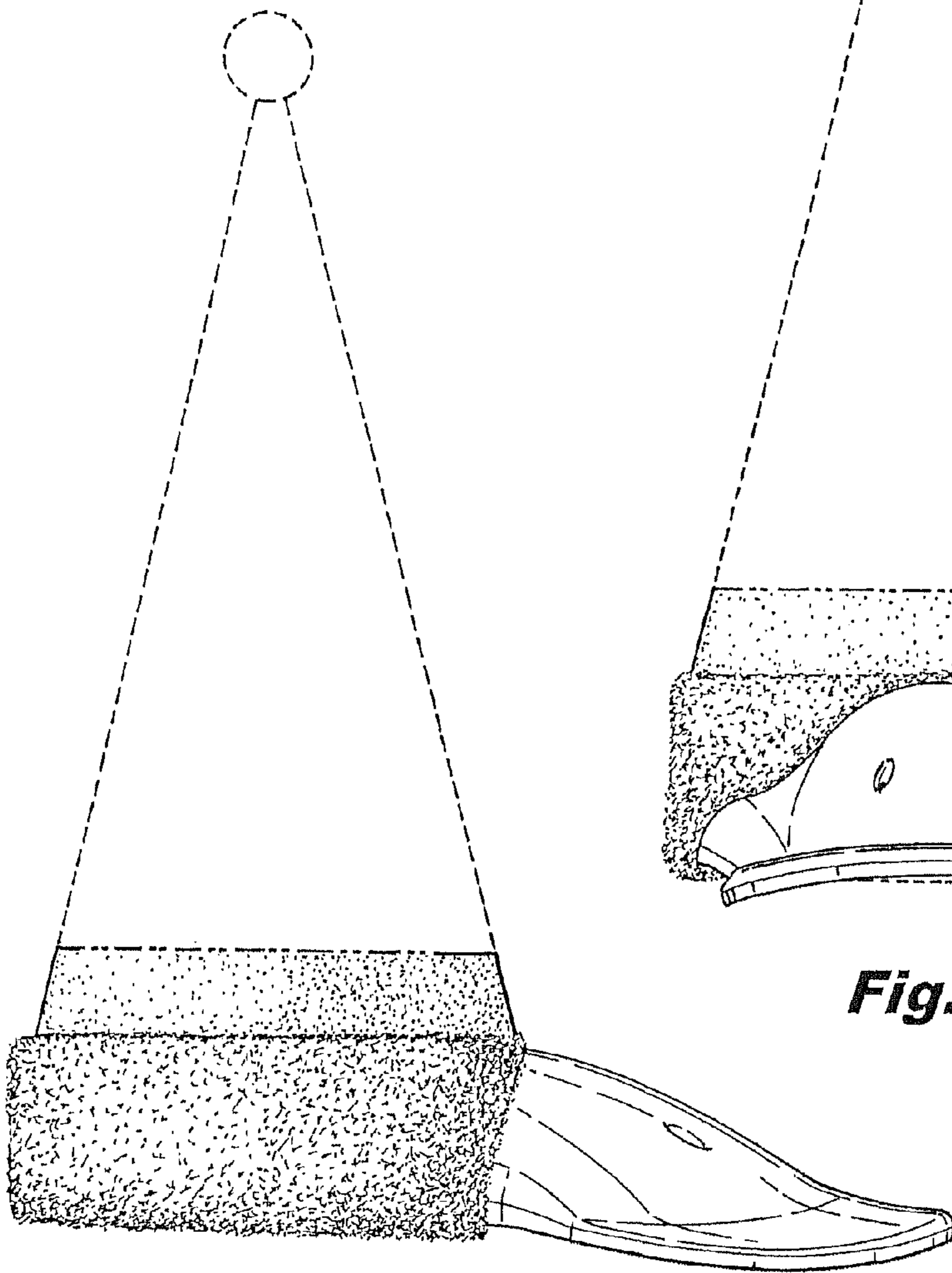


Fig. 4

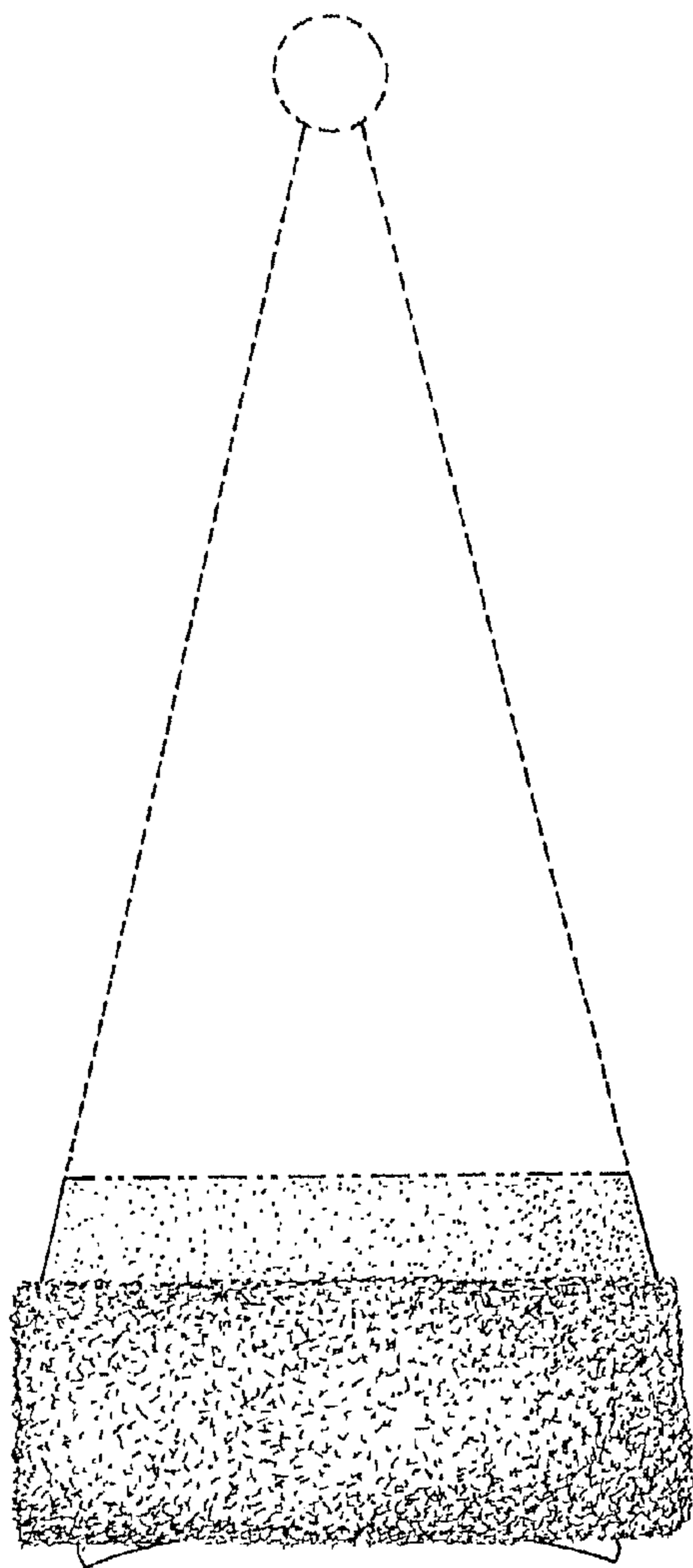
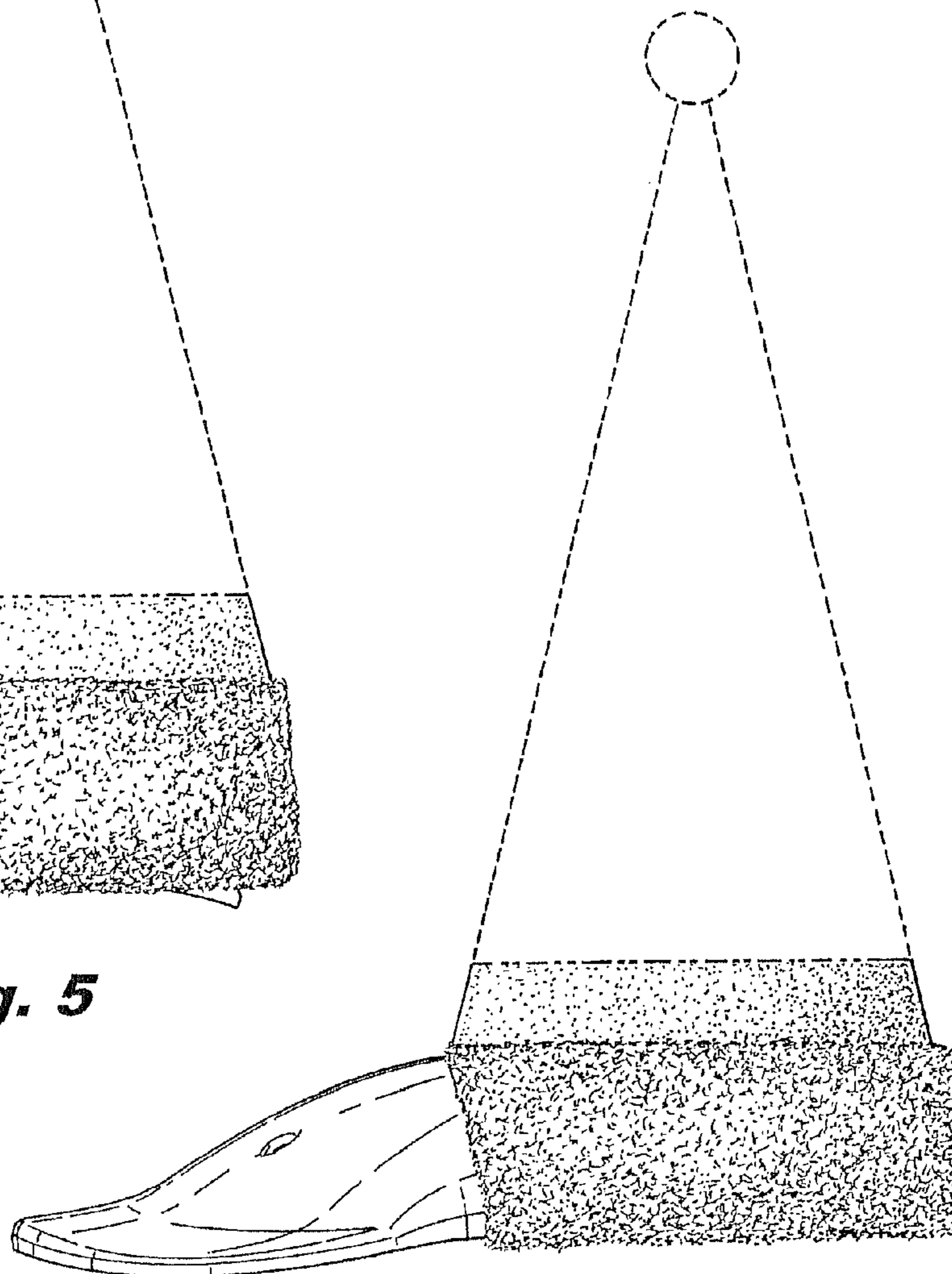


Fig. 5

Fig. 6



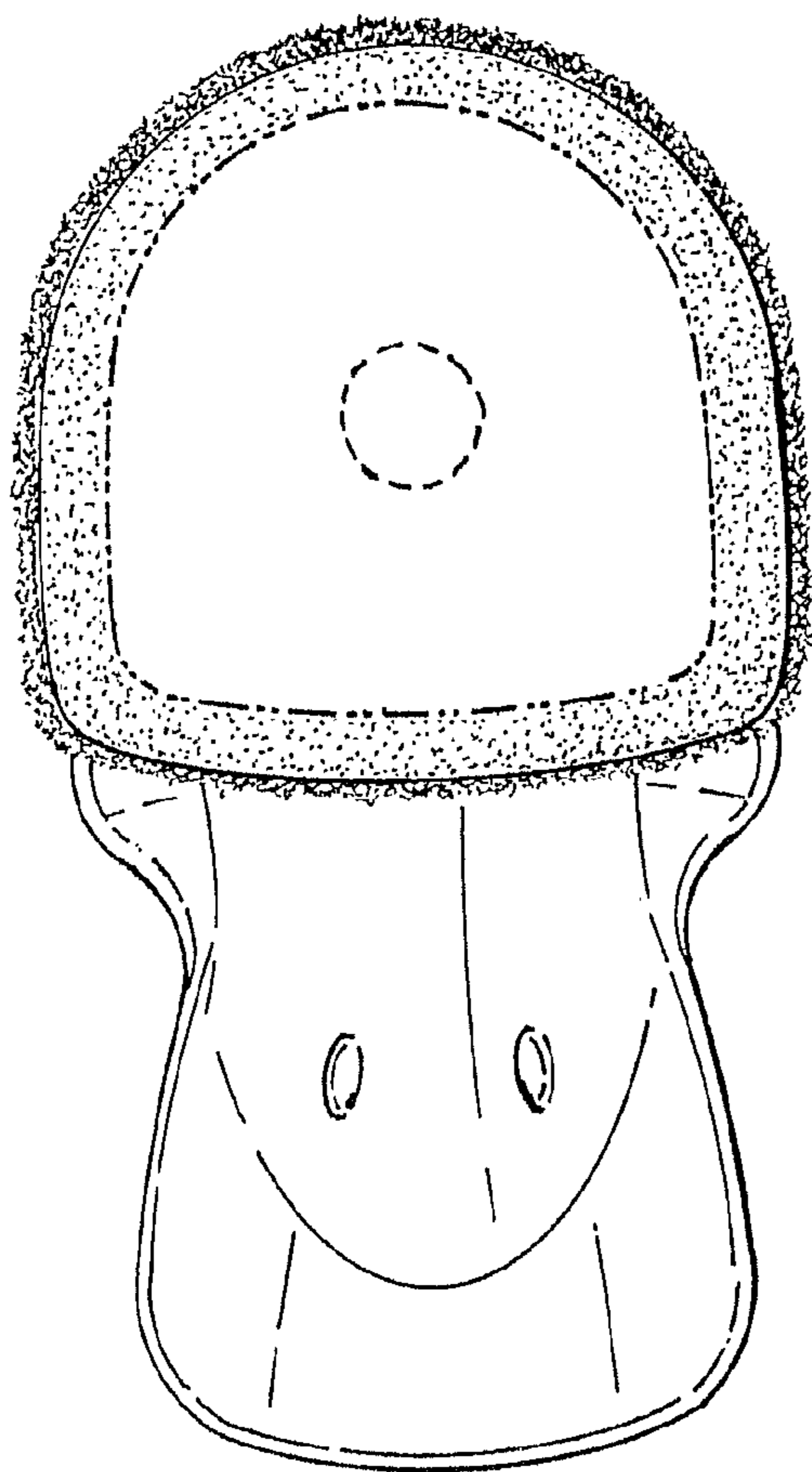


Fig. 7

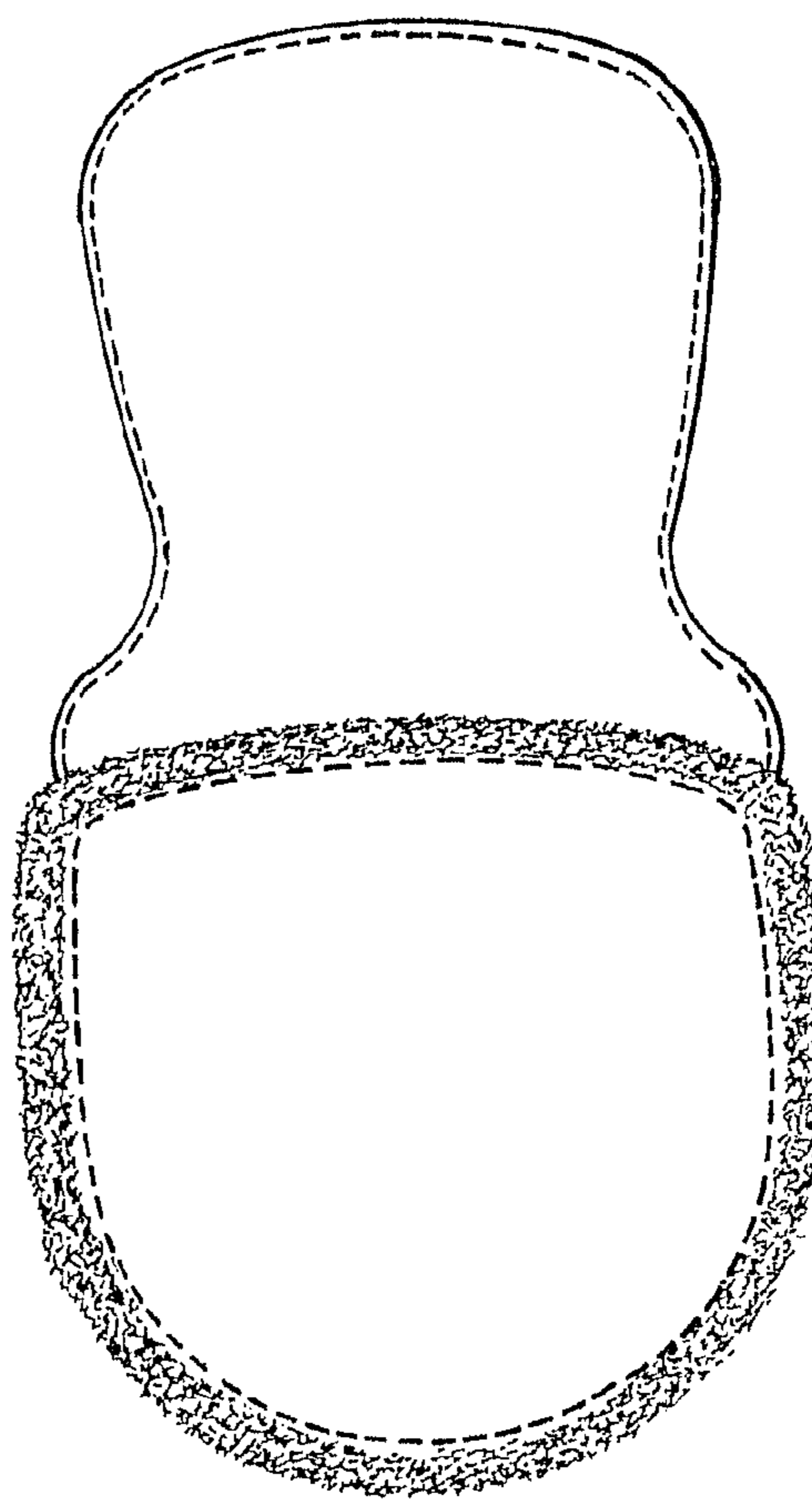


Fig. 8