



US00D756070S

(12) **United States Design Patent**  
**Hershey**

(10) **Patent No.:** **US D756,070 S**

(45) **Date of Patent:** **\*\* May 17, 2016**

(54) **STOWABLE WRAP SKIRT**

D445,999 S \* 8/2001 Swiney ..... D2/851  
D456,592 S \* 5/2002 Conway ..... D2/851  
D622,936 S \* 9/2010 Baker ..... D2/826

(71) Applicant: **Catherine Hershey**, Flagstaff, AZ (US)

\* cited by examiner

(72) Inventor: **Catherine Hershey**, Flagstaff, AZ (US)

*Primary Examiner* — Susan Bennett Hattan

(\*\*) Term: **14 Years**

*Assistant Examiner* — Charles Hanson

(21) Appl. No.: **29/508,531**

(74) *Attorney, Agent, or Firm* — Schmeiser, Olsen & Watts LLP

(22) Filed: **Nov. 7, 2014**

(57) **CLAIM**

(51) **LOC (10) Cl.** ..... **02-01**

The ornamental design for a stowable wrap skirt, as shown and described.

(52) **U.S. Cl.**  
USPC ..... **D2/851**

**DESCRIPTION**

(58) **Field of Classification Search**  
USPC ..... D2/851, 826  
CPC ..... A41D 1/14; A41D 13/04; A41D 15/002;  
A41D 15/00; A41D 15/04; A41D 15/02  
See application file for complete search history.

FIG. 1 is an elevational view of a stowable wrap skirt design in an open configuration showing an outer surface of the stowable wrap skirt;  
FIG. 2 is an elevational view of the stowable wrap skirt design in an open configuration showing an inner surface of the stowable wrap skirt;  
FIG. 3 is a front view the stowable wrap skirt design in a wearable configuration;  
FIG. 4 is a rear view the stowable wrap skirt design in a wearable configuration;  
FIG. 5 is a perspective view the stowable wrap skirt design in a wearable configuration;  
FIG. 6 is a perspective view the stowable wrap skirt design in a stowed configuration; and,  
FIG. 7 is another perspective view the stowable wrap skirt design in a stowed configuration.

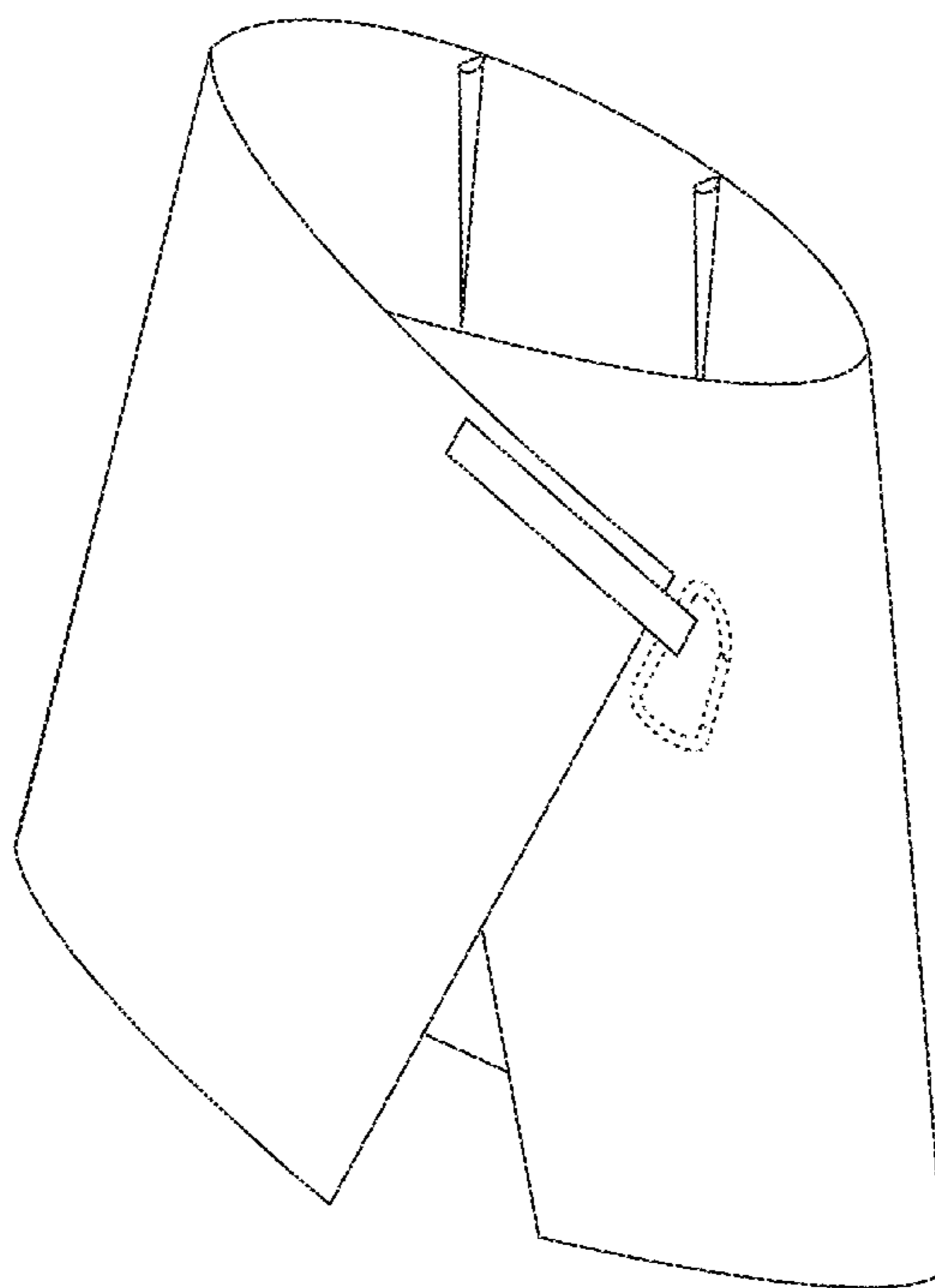
(56) **References Cited**

U.S. PATENT DOCUMENTS

2,420,769 A \* 5/1947 Holliday ..... A41D 1/20  
2/221  
3,704,469 A \* 12/1972 Levy ..... A41D 7/00  
2/67  
3,727,238 A \* 4/1973 Wolfson ..... A41D 13/1254  
2/47  
D232,604 S \* 9/1974 Kadison ..... 2/219  
D300,480 S \* 4/1989 Seymore ..... D2/851  
5,327,586 A \* 7/1994 Evans ..... A41D 1/14  
2/211  
5,575,006 A \* 11/1996 Wolfe ..... A41D 13/1254  
2/114  
D396,543 S \* 8/1998 Owen ..... D2/728  
D402,440 S \* 12/1998 Marks ..... D2/851

The broken line showing of the connecting device in FIGS. 1, 2, and 3 is included for the purpose of illustrating part of the stowable wrap skirt that forms no part of the claimed design.

**1 Claim, 5 Drawing Sheets**



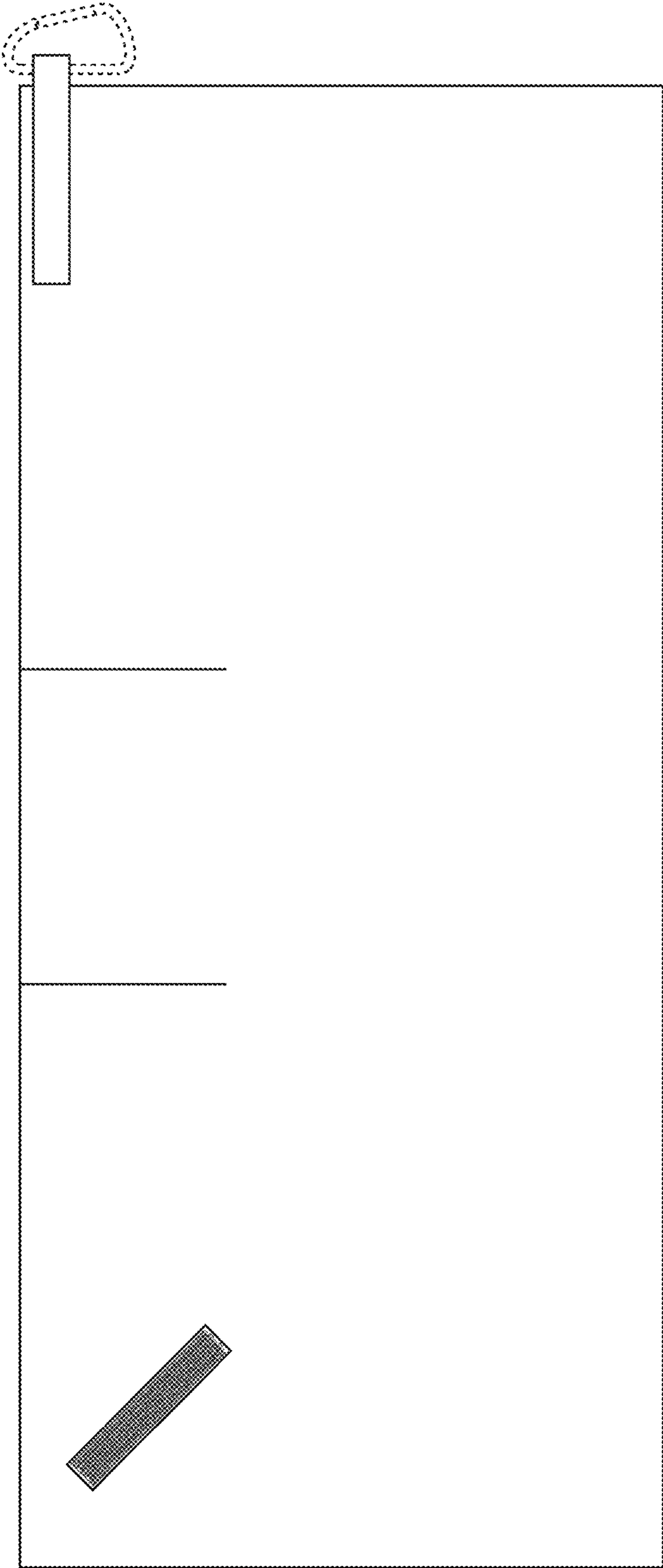


FIG. 1

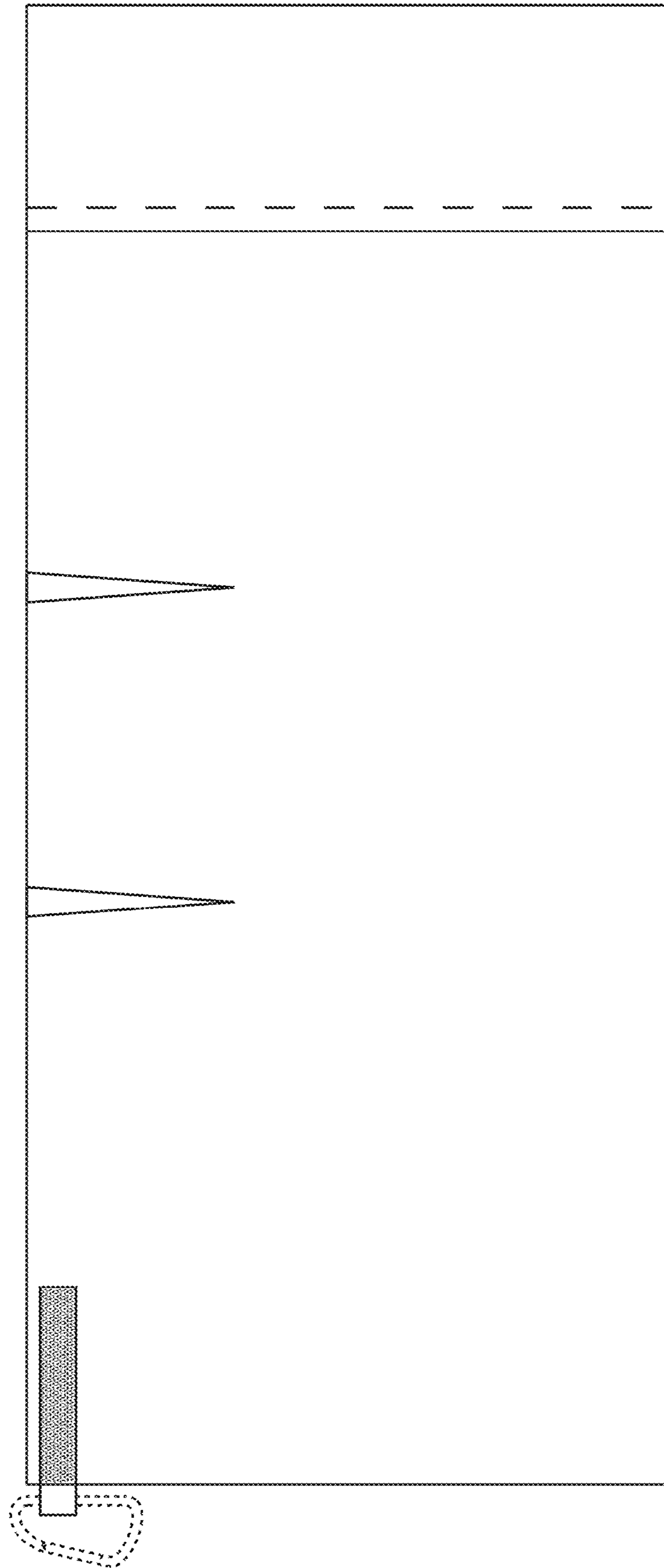


FIG. 2

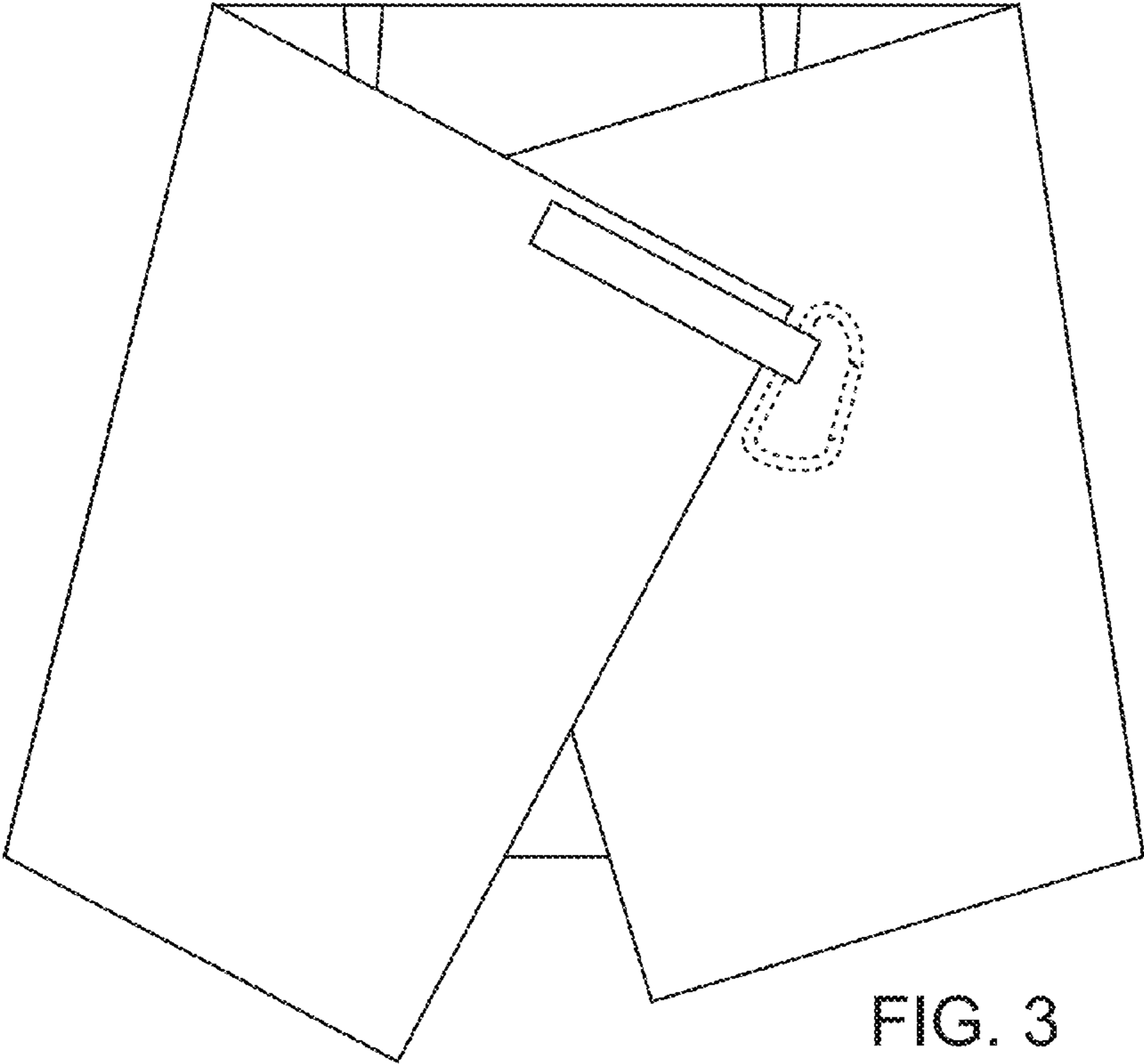


FIG. 3

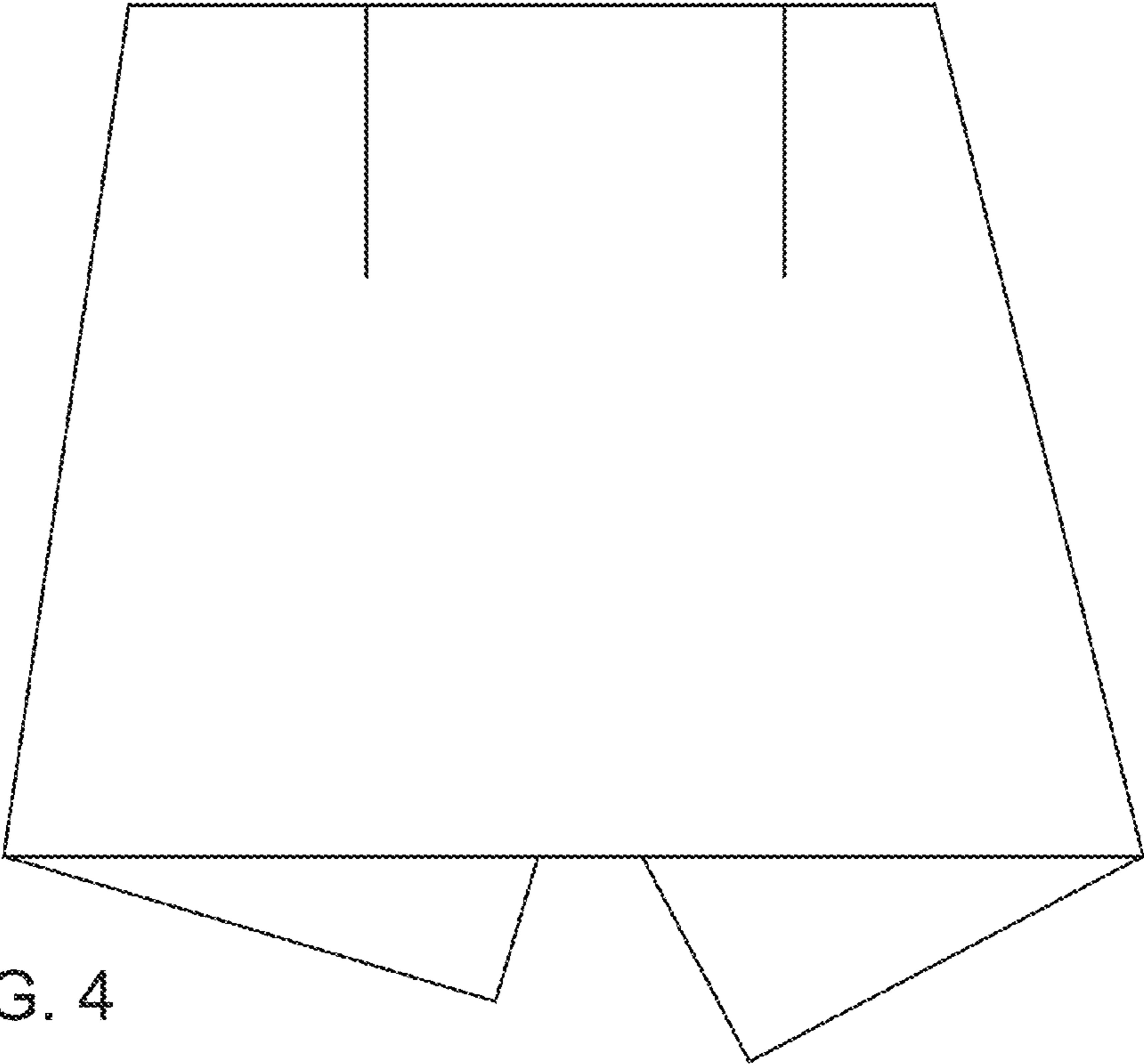


FIG. 4

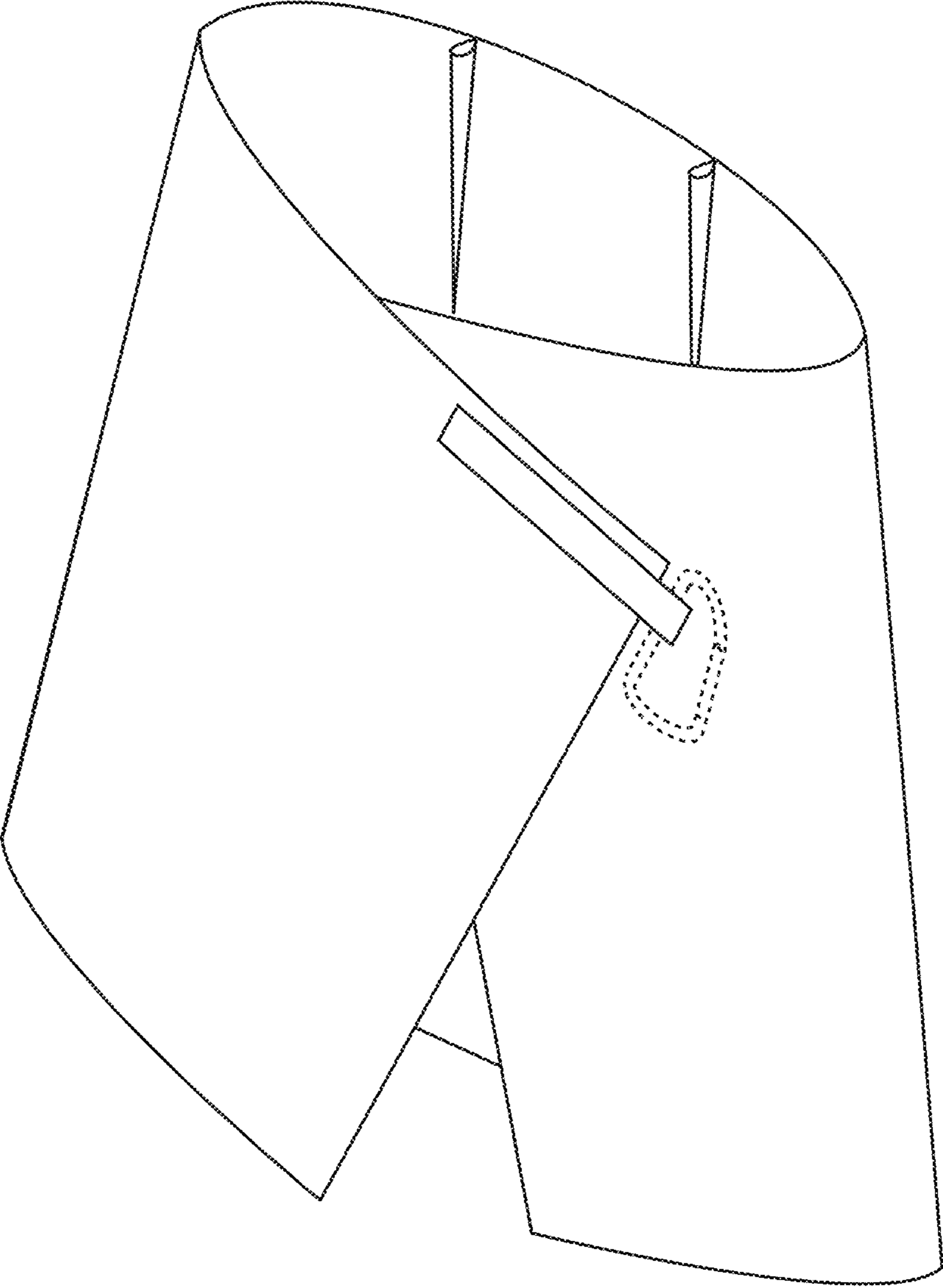


FIG. 5

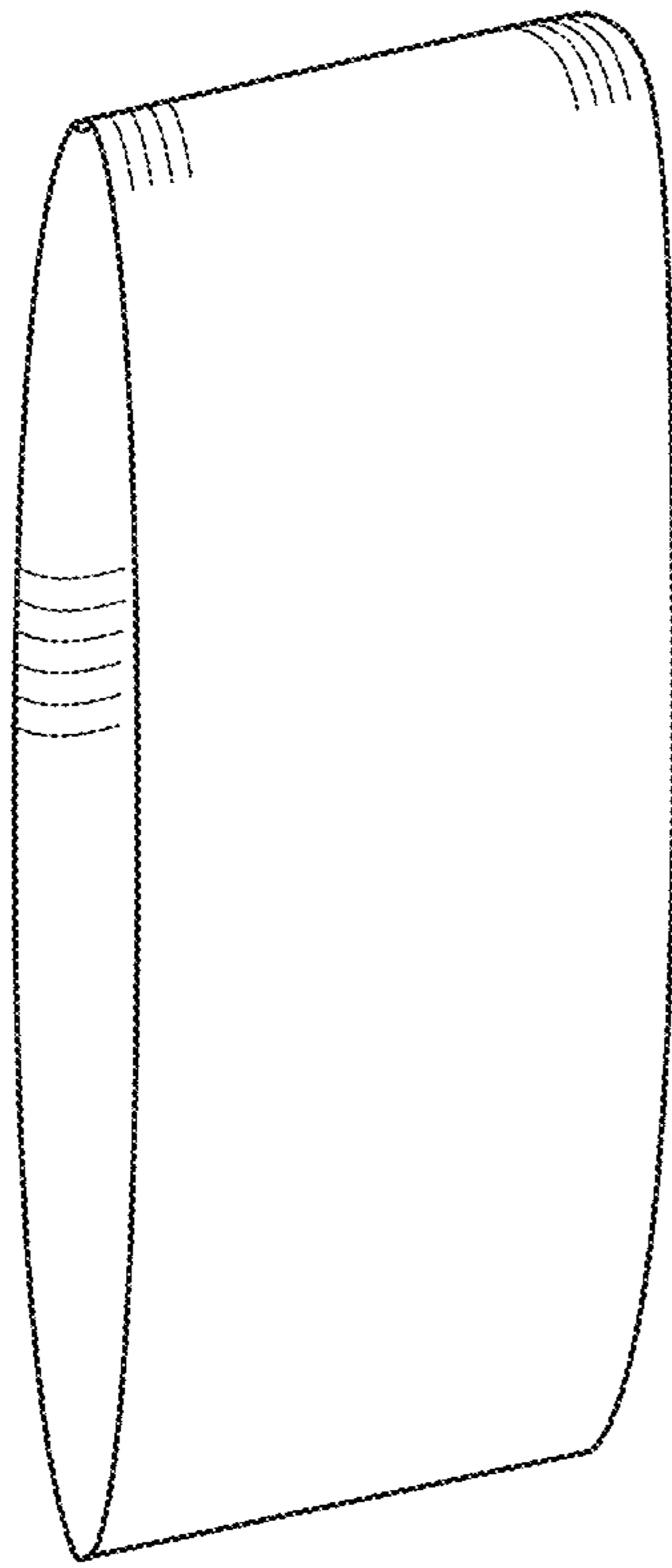


FIG. 6

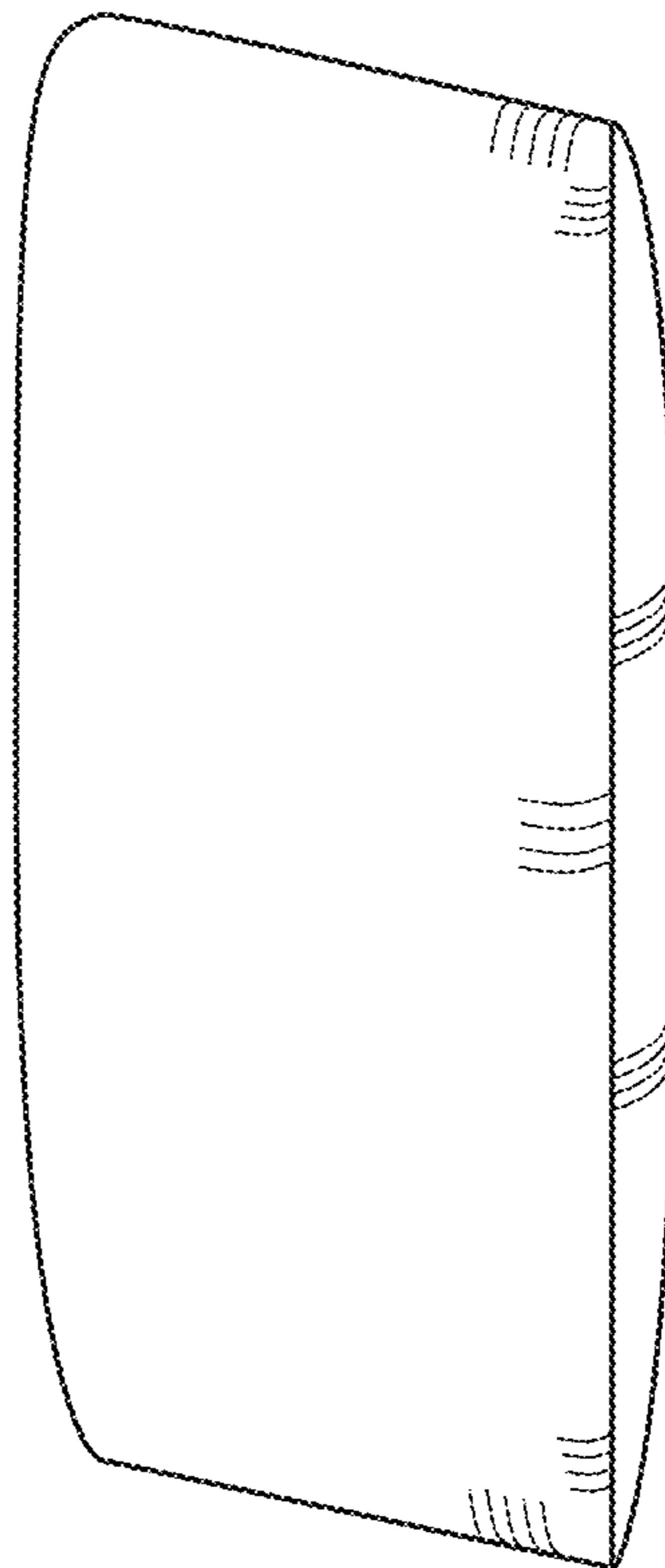


FIG. 7