



US00D756065S

(12) **United States Design Patent**  
**Griffin**

(10) **Patent No.:** **US D756,065 S**

(45) **Date of Patent:** **\*\* \*May 10, 2016**

(54) **SAFE RESEMBLING STUDIO RACK GEAR**

(71) Applicant: **Jerry Lee Griffin**, Long Beach, CA  
(US)

(72) Inventor: **Jerry Lee Griffin**, Long Beach, CA  
(US)

(\* ) Notice: This patent is subject to a terminal disclaimer.

(\*\*) Term: **14 Years**

(21) Appl. No.: **29/469,665**

(22) Filed: **Oct. 11, 2013**

(51) **LOC (10) Cl.** ..... **99-00**

(52) **U.S. Cl.**  
USPC ..... **D99/37; D99/43**

(58) **Field of Classification Search**  
USPC ..... D99/28, 34, 35, 36, 37, 43, 99; 109/1 R,  
109/1 V, 2, 45, 49, 49.5, 50, 53, 54, 56, 57,  
109/58, 59 R, 60, 61, 64, 78, 79, 81;  
206/0.8, 0.81, 0.815, 0.82, 0.83, 0.84,  
206/317, 527; 902/9; D14/313, 474, 483,  
D14/496, 500, 505, 140.4, 155, 157, 170,  
D14/188, 189, 217, 299

See application file for complete search history.

(56) **References Cited**

**U.S. PATENT DOCUMENTS**

166,107	A *	7/1875	Hyatt	109/53
342,003	A *	5/1886	Gross	109/62
1,447,462	A *	3/1923	Butscher et al.	109/58
2,088,459	A *	7/1937	Bennett et al.	70/77
D206,033	S *	10/1966	Koch	D99/28
D273,052	S *	3/1984	Snodgrass	D99/28
D291,019	S *	7/1987	Druihet	D99/28
D308,276	S *	5/1990	Appelbaum	D99/28
D308,279	S *	5/1990	Hill	D99/35
D308,744	S *	6/1990	Arauchi	D99/28
D314,406	S *	2/1991	Lerch	D21/519

D347,926	S *	6/1994	Jackson, Jr.	D99/28
D354,835	S *	1/1995	Brendel	D99/43
D380,793	S *	7/1997	Conwell	D21/519
D390,327	S *	2/1998	Warnelov	D99/28
D432,286	S *	10/2000	Irie	D99/34
D461,617	S *	8/2002	Gardner	D99/28
D485,041	S *	1/2004	Paris et al.	D99/28
D485,042	S *	1/2004	Paris et al.	D99/28
D485,419	S *	1/2004	Paris et al.	D99/43
D485,960	S *	1/2004	Paris et al.	D99/43
D488,910	S *	4/2004	Lynch et al.	D99/43
D495,113	S *	8/2004	Lynch et al.	D99/43
D498,895	S *	11/2004	Lynch et al.	D99/28
D503,255	S *	3/2005	Lynch et al.	D99/43
D516,768	S *	3/2006	Walker	D99/28
D516,769	S *	3/2006	Walker	D99/28
D517,269	S *	3/2006	Walker	D99/28
D517,770	S *	3/2006	Walker	D99/28
D557,875	S *	12/2007	Stuhlberg et al.	D99/28
D593,100	S *	5/2009	Alfonso et al.	D14/444

(Continued)

*Primary Examiner* — Elizabeth J Oswecki

(57) **CLAIM**

The ornamental design for a safe resembling studio rack gear, as shown and described.

**DESCRIPTION**

FIG. 1 is a front perspective view of a safe resembling studio rack gear showing my new design, shown in a used condition mounted in a rack shown in broken lines;

FIG. 2 is a front view thereof;

FIG. 3 is a rear view thereof;

FIG. 4 is a left side view thereof;

FIG. 5 is a right side view thereof;

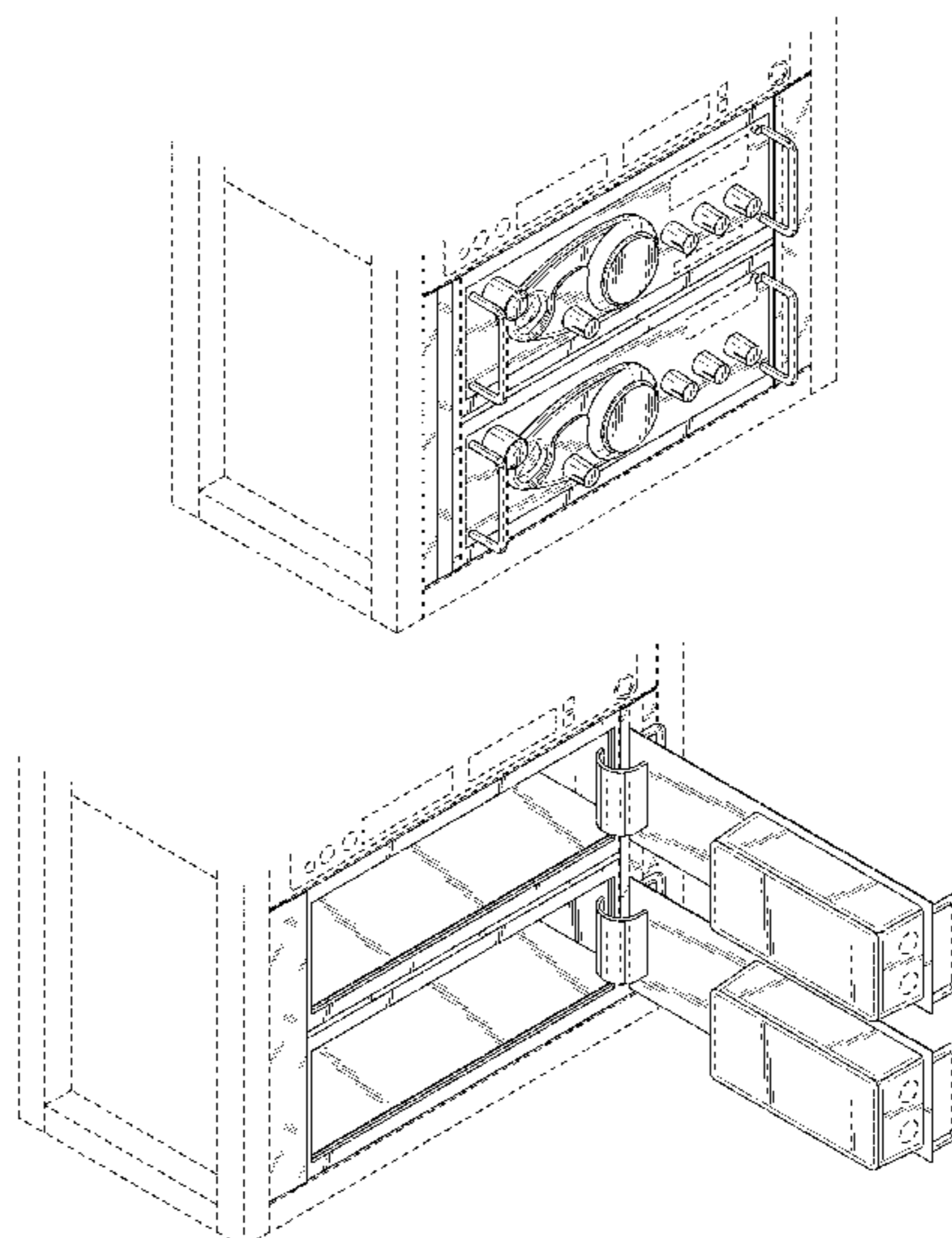
FIG. 6 is a top view thereof;

FIG. 7 is a bottom view thereof; and,

FIG. 8 is another front perspective view thereof with the safe in an open position.

The broken lines shown in the drawings represent portions of the safe resembling studio rack gear that form no part of the claimed design.

**1 Claim, 5 Drawing Sheets**



# US D756,065 S

Page 2

---

(56)

## References Cited

### U.S. PATENT DOCUMENTS

D645,224 S *	9/2011	Hunt et al. ....	D99/43
D675,160 S *	1/2013	Tanaka et al. ....	D13/123
D688,024 S *	8/2013	Metlen et al. ....	D99/28

D645,224 S \* 9/2011 Hunt et al. .... D99/43 \* cited by examiner

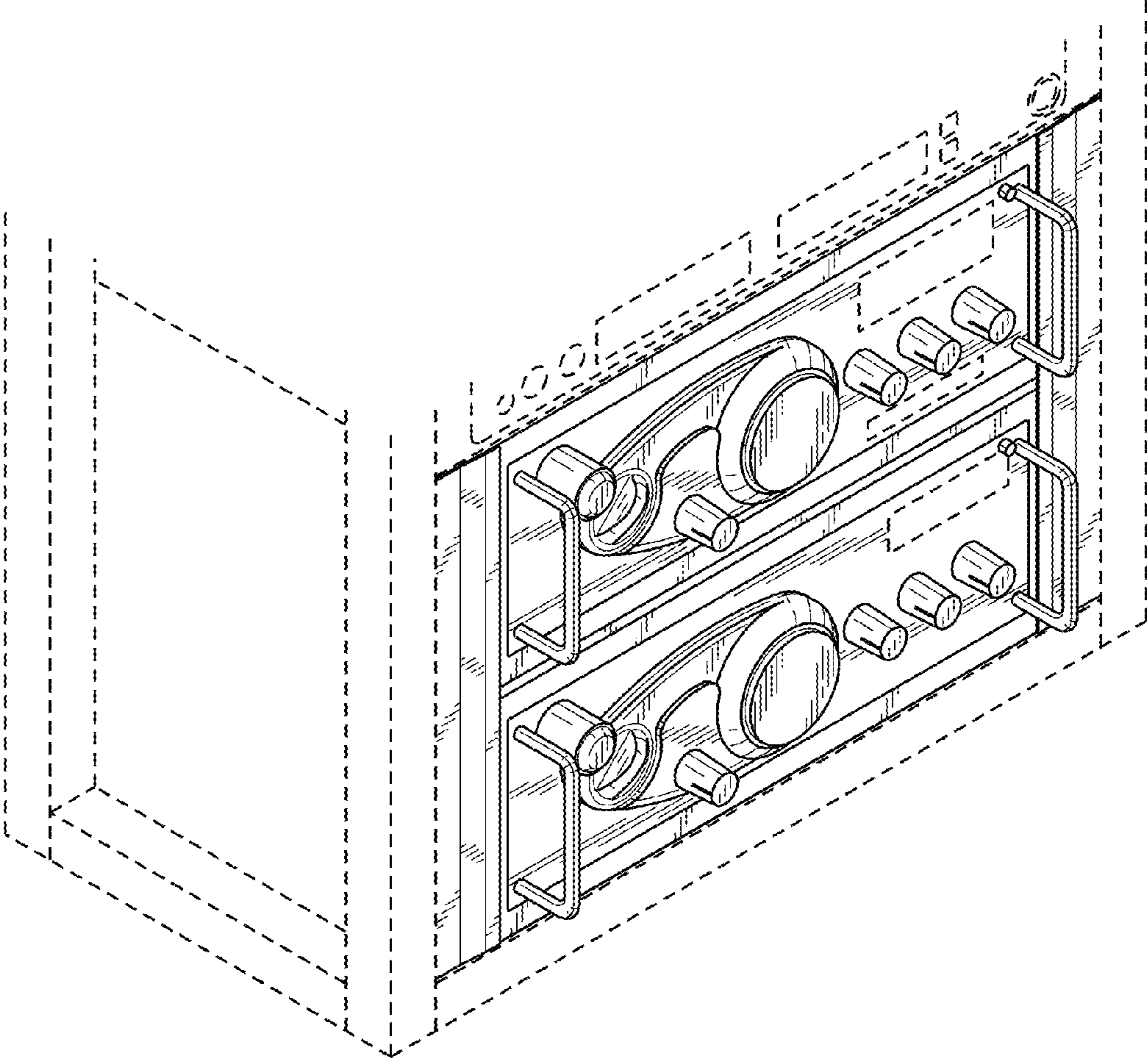


FIG. 1

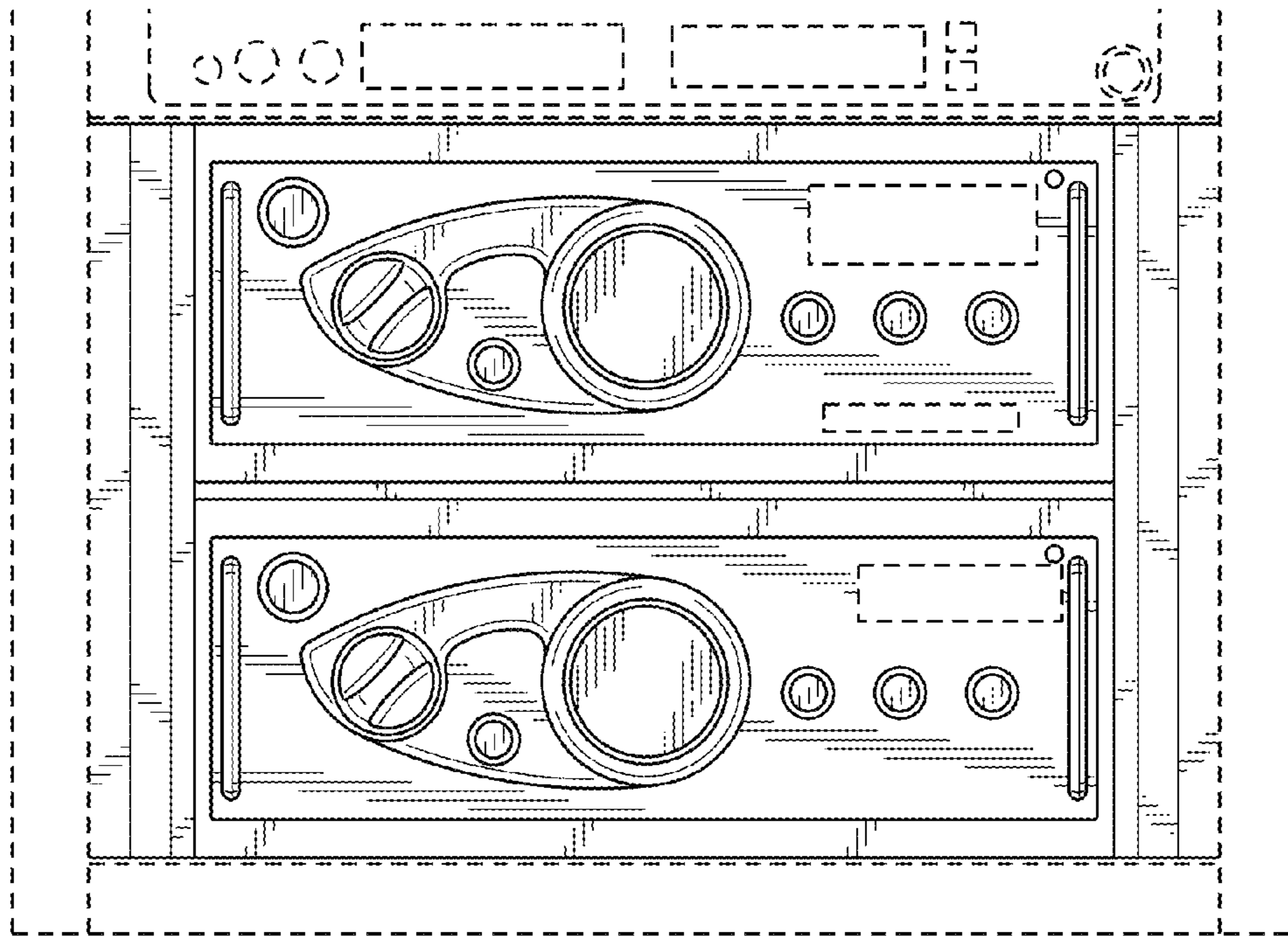


FIG. 2

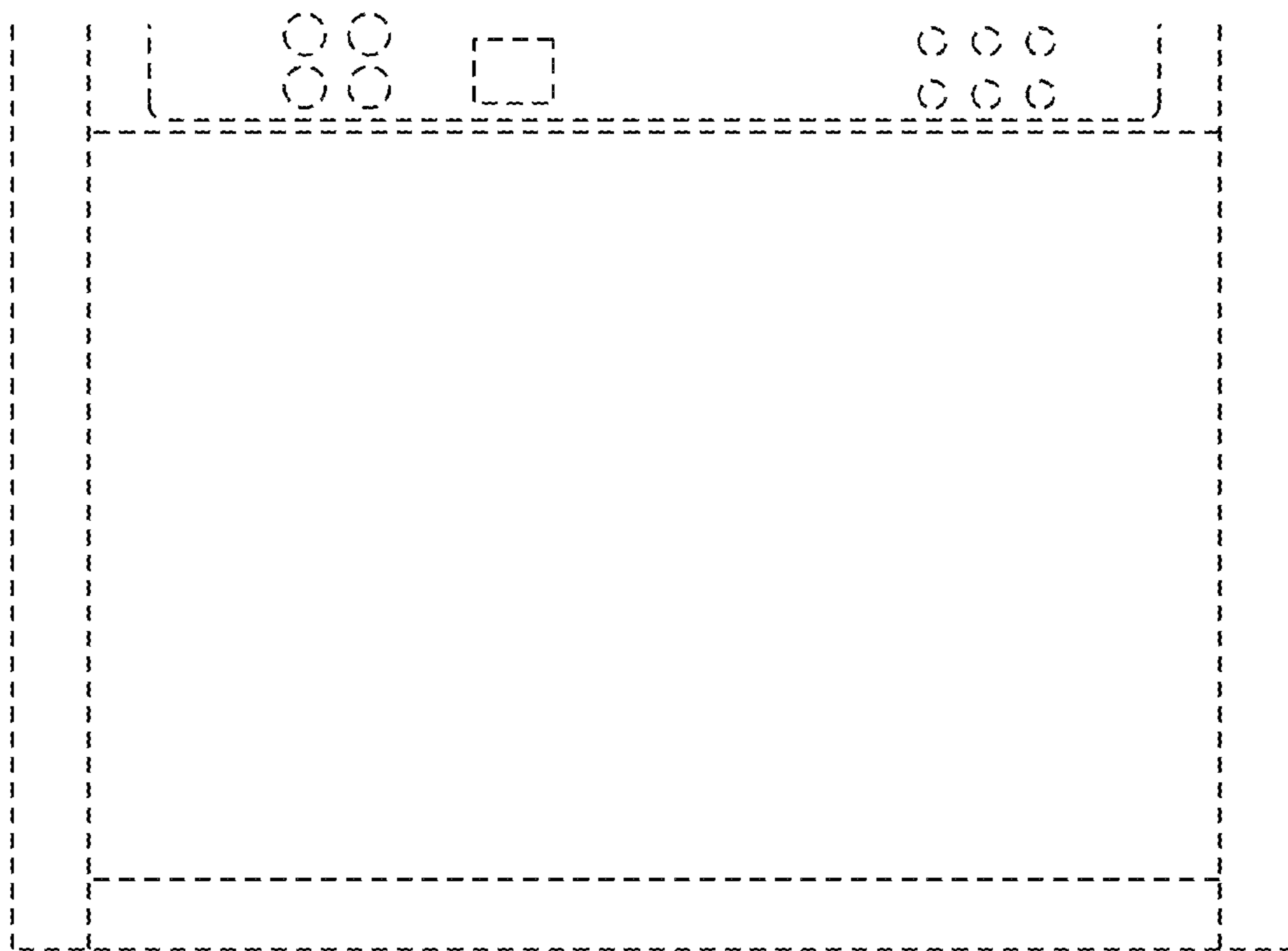


FIG. 3



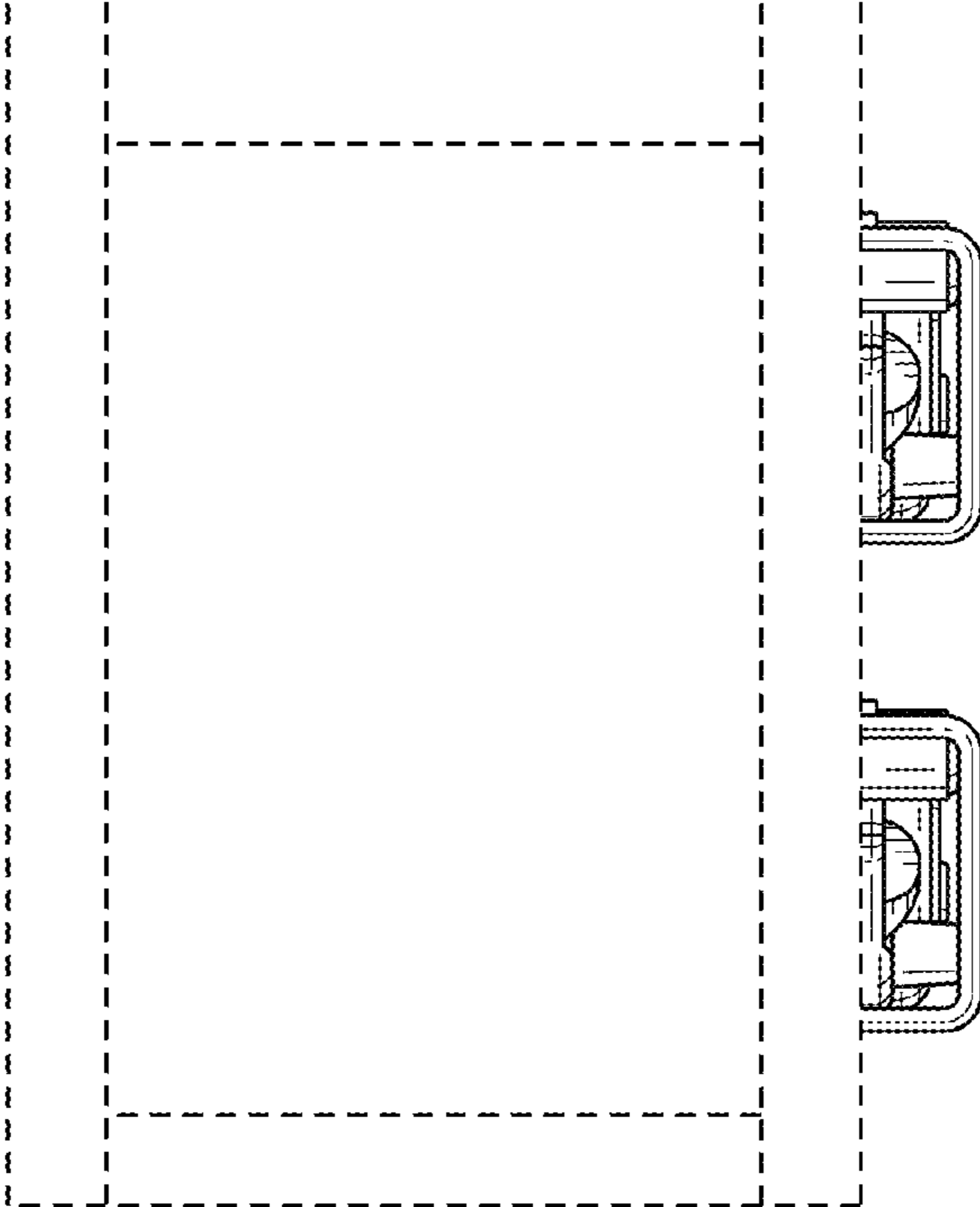


FIG. 4

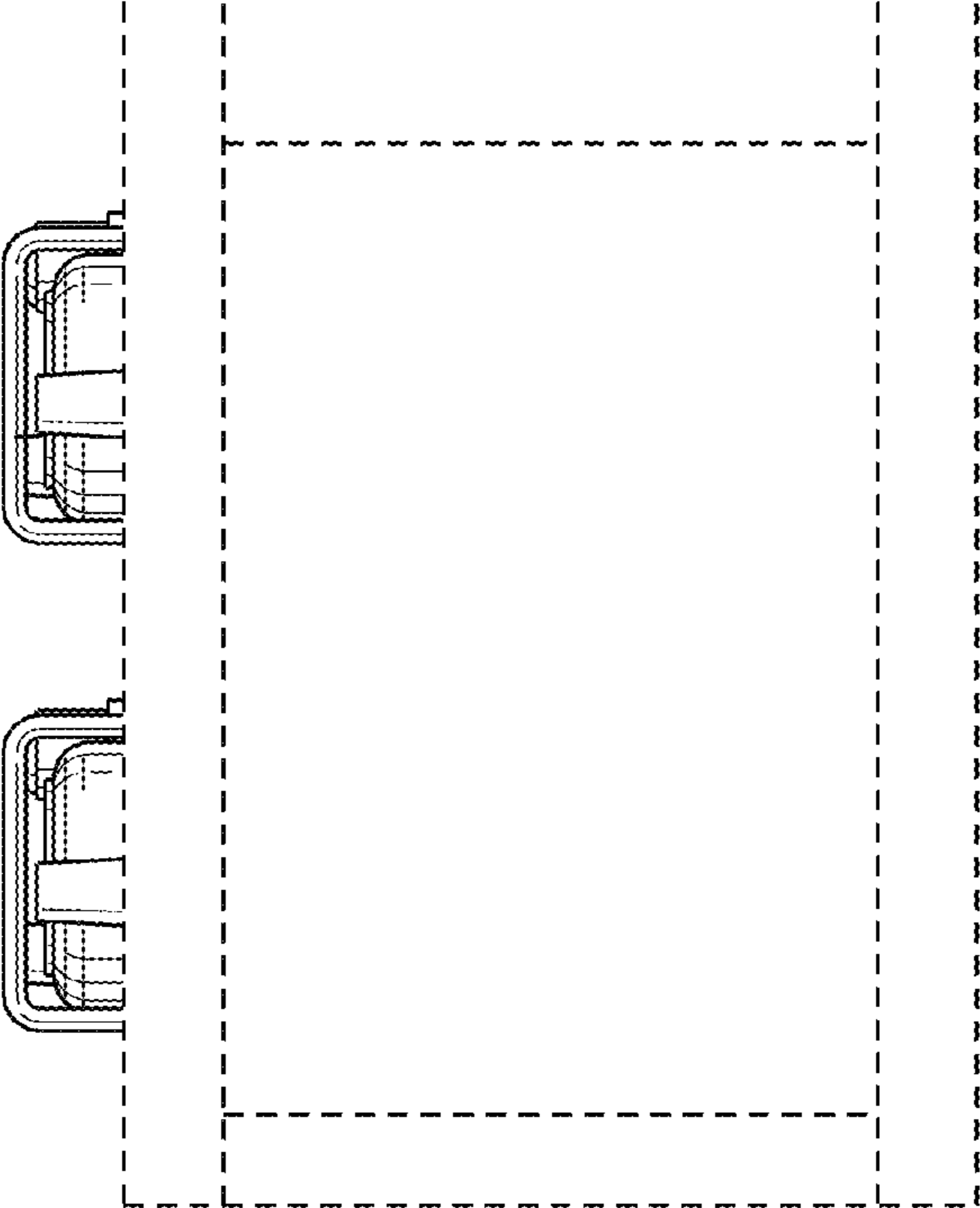


FIG. 5

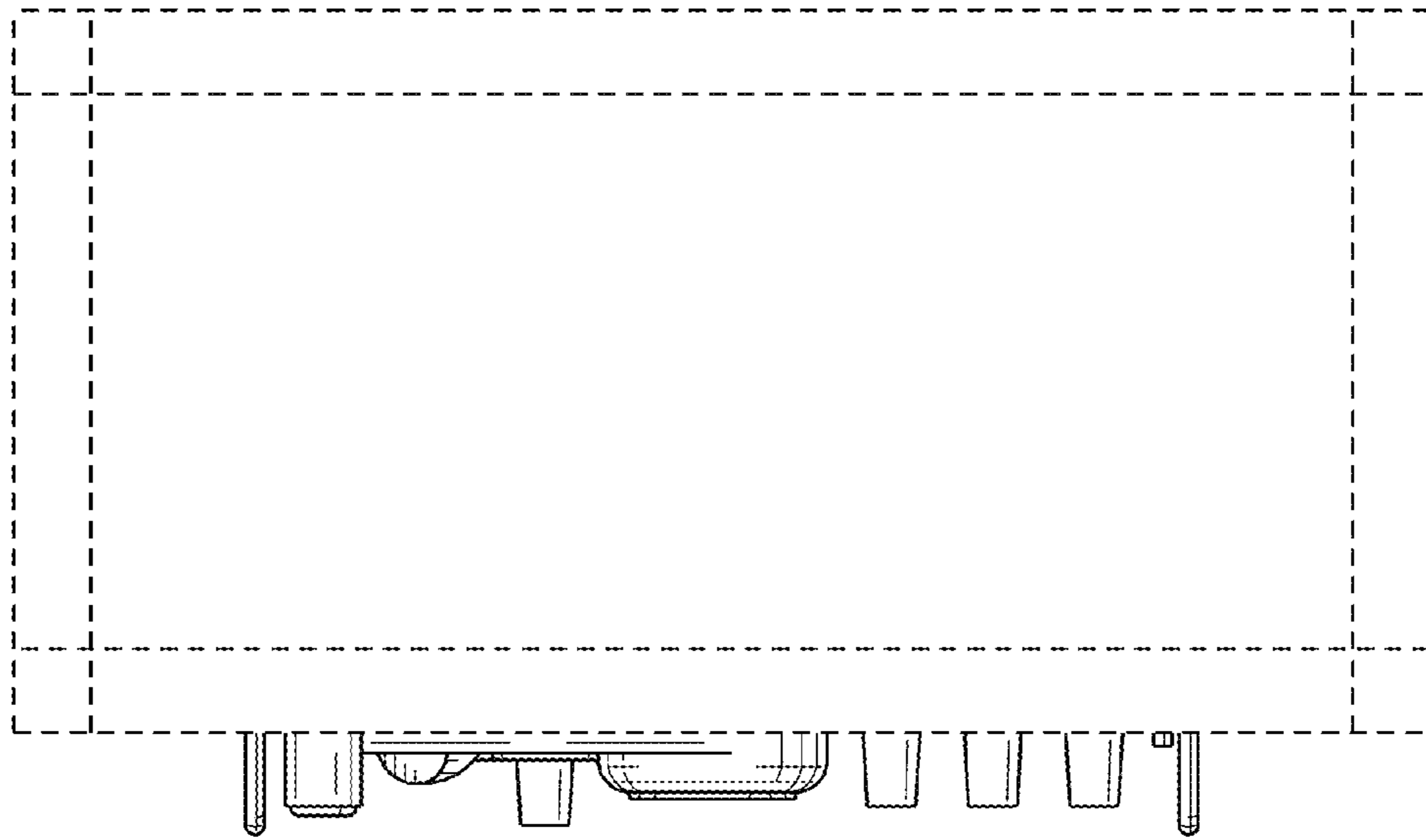


FIG. 6

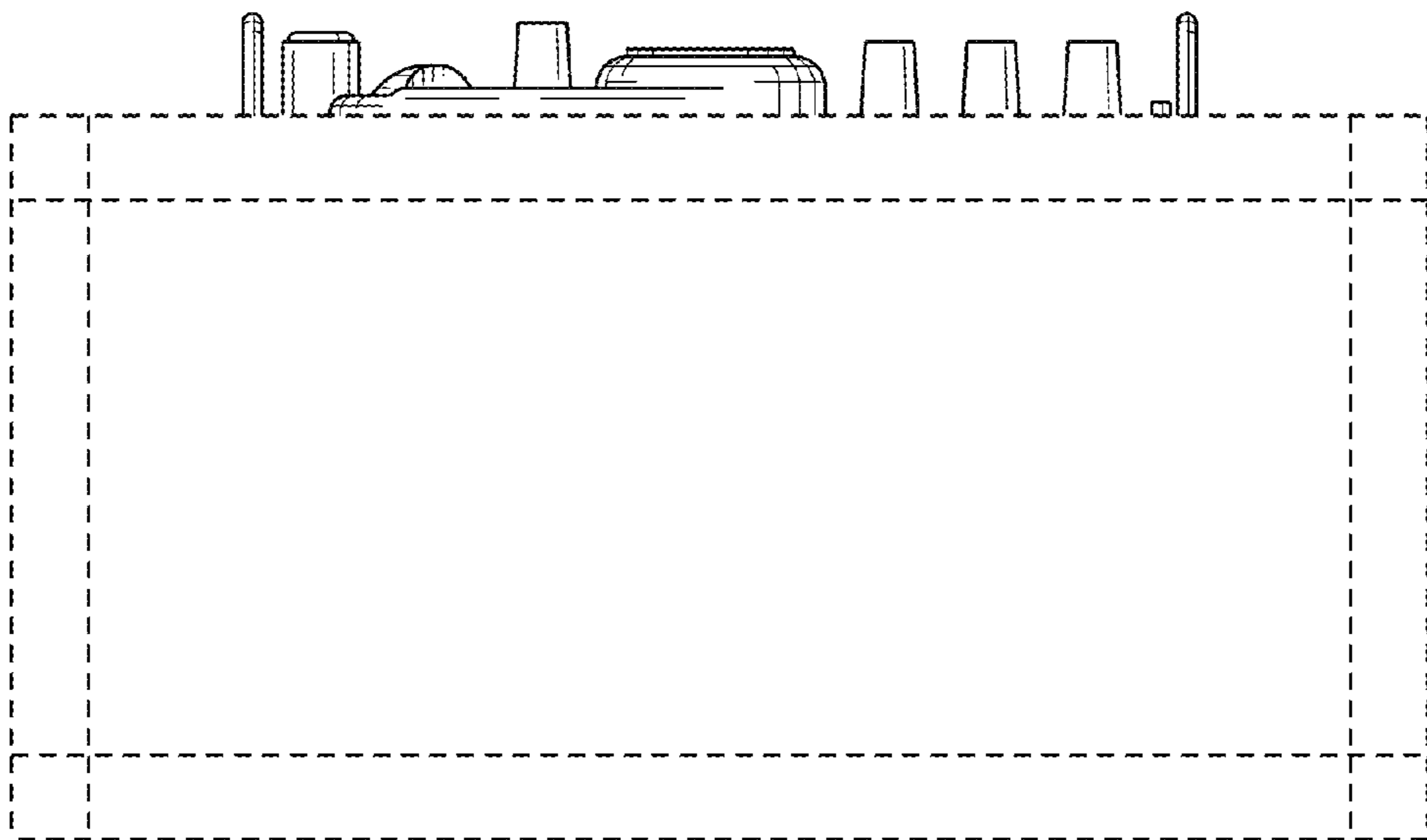


FIG. 7

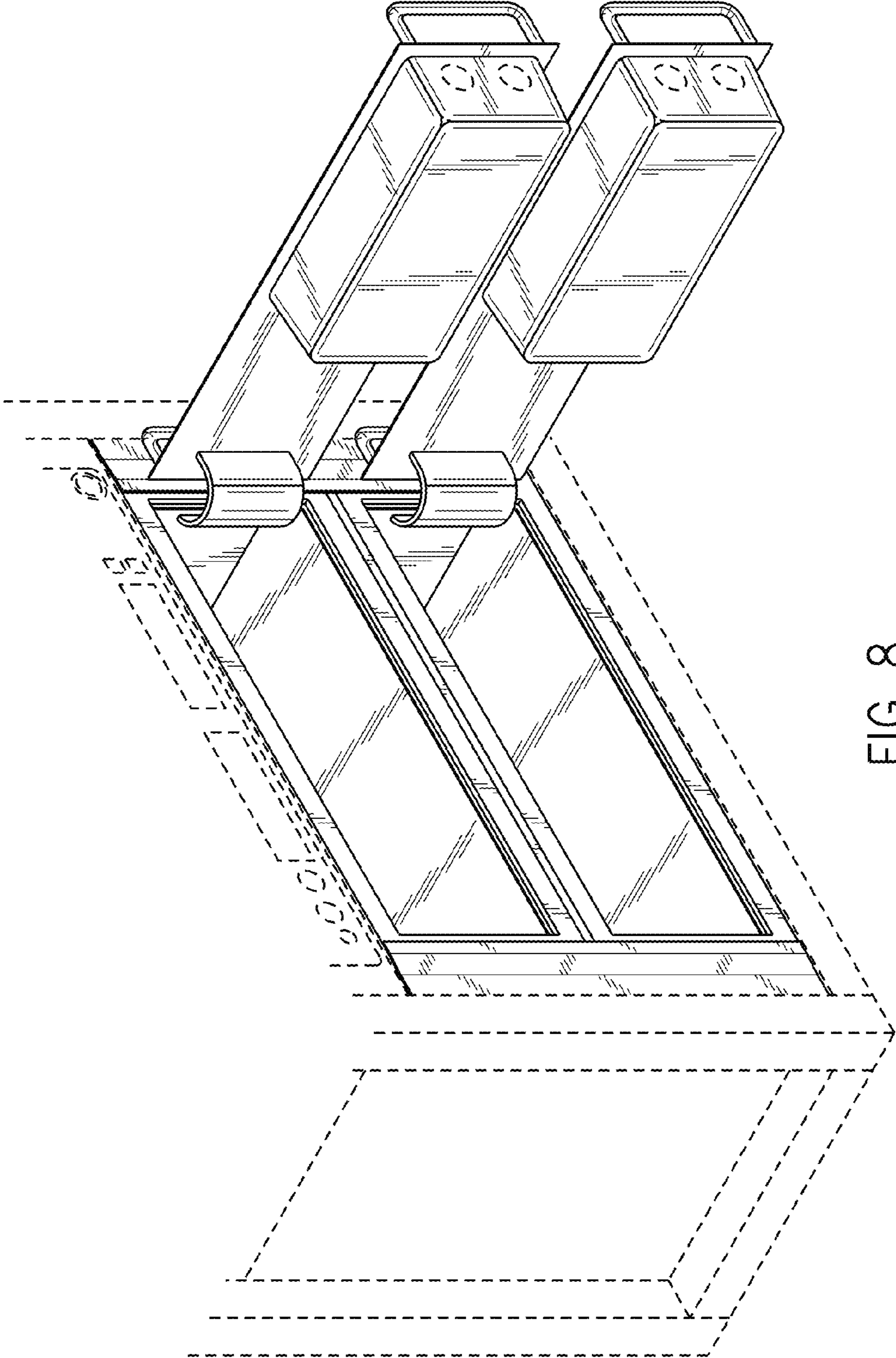


FIG. 8