



US00D756063S

(12) **United States Design Patent**
Haass

(10) **Patent No.:** **US D756,063 S**
(45) **Date of Patent:** **** May 10, 2016**

- (54) **DISPLAY STAND FOR A CREMATION URN**
- (71) Applicant: **Peter Haass**, Palma de Mallorca (ES)
- (72) Inventor: **Peter Haass**, Palma de Mallorca (ES)
- (**) Term: **15 Years**
- (21) Appl. No.: **29/542,805**
- (22) Filed: **Oct. 17, 2015**
- (30) **Foreign Application Priority Data**
May 21, 2015 (DE) 40 2015 000 863
- (51) **LOC (10) Cl.** **99-00**
- (52) **U.S. Cl.**
USPC **D99/17; D99/5**
- (58) **Field of Classification Search**
USPC D99/17, 19, 5, 29, 33, 43; 27/1;
40/124.5; D20/17, 41; D6/300;
D11/122, 131; 312/111, 107, 114;
52/103
CPC A61G 17/00
See application file for complete search history.

- (56) **References Cited**
U.S. PATENT DOCUMENTS
661,830 A * 11/1900 Webster E04H 13/003
220/475
1,020,557 A * 3/1912 Hunter A47F 3/005
312/107
1,108,066 A * 8/1914 Cooke et al. B65D 7/12
220/495.08
1,585,411 A * 5/1926 Patterson E04H 13/003
52/103
1,622,210 A * 3/1927 Rystedt G09F 23/00
40/306
1,750,440 A * 3/1930 Tarver A47F 3/00
184/109
1,830,836 A * 11/1931 Hager E04H 13/003
248/502
D89,766 S * 5/1933 Hull D99/17
D116,338 S * 8/1939 Gist D20/41
2,294,068 A * 8/1942 Budington G09F 15/0075
220/254.3
3,182,846 A * 5/1965 La Kaff A47B 47/03
108/156
3,313,056 A * 4/1967 Williams G09F 13/04
40/502

- D213,450 S * 3/1969 Balck D11/150
- 3,697,147 A * 10/1972 Schulte A47B 91/00
108/64
- 3,716,936 A * 2/1973 Miller A47G 1/14
40/720
- D227,051 S * 6/1973 Snyder D6/301
- 3,754,805 A * 8/1973 Pangburn F16B 12/18
211/84
- D236,040 S * 7/1975 Schuette D20/17
- 3,919,797 A * 11/1975 Murakami G09F 19/00
40/538
- 4,195,729 A * 4/1980 Macken A47G 1/14
206/216
- D255,746 S * 7/1980 Van Koert D6/300
- 4,317,302 A * 3/1982 Von De Linde G09F 13/0413
40/549
- 4,324,026 A * 4/1982 Craft A61G 17/08
27/1
- 4,455,772 A * 6/1984 Miller G09F 15/00
40/124.5
- 4,553,680 A * 11/1985 Griggs A47F 3/005
220/4.33
- 4,560,257 A * 12/1985 Otema G02B 5/08
217/11
- 5,014,472 A * 5/1991 Svensson E04H 13/003
40/124.5
- 5,277,307 A * 1/1994 Kelly A47G 1/14
206/232
- D347,925 S * 6/1994 Caracola D6/300
- D369,007 S * 4/1996 Jones D20/41
- 5,553,426 A * 9/1996 Ostergaard E04H 13/003
40/124.5
- 5,625,933 A * 5/1997 Neuberger A61G 17/08
27/1
- 5,704,103 A * 1/1998 Crowley A61G 17/08
27/1
- 8,196,275 B2 * 6/2012 Wessel A47G 1/12
27/10
- D748,363 S * 1/2016 Hackett D99/5

* cited by examiner

Primary Examiner — Paula Greene
(74) *Attorney, Agent, or Firm* — Smartpat PLC

(57) **CLAIM**
I claim the ornamental design for a display stand for a cremation urn, as shown and described.

DESCRIPTION

FIG. 1 is a top, front, left side perspective view of a display stand for a cremation urn showing my new design;

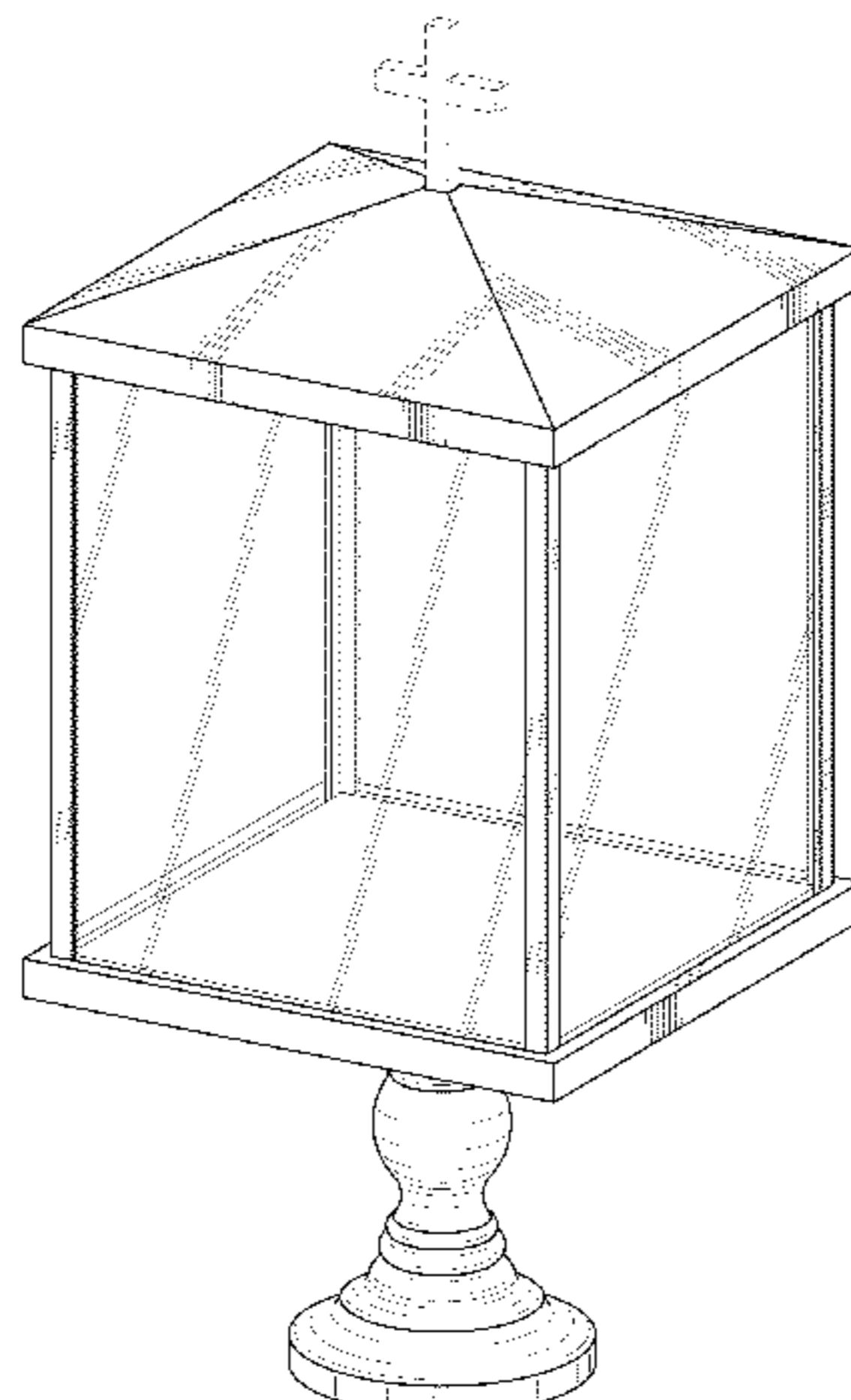


FIG. 2 is a front view thereof, the rear view being identical;
FIG. 3 is a left side view thereof, the right side view being identical;
FIG. 4 is a top view thereof; and,
FIG. 5 is a bottom view thereof.

The broken line showing of cross at the top of the display stand is for the purpose of illustrating environmental structure and forms no part of the claimed design.

1 Claim, 4 Drawing Sheets

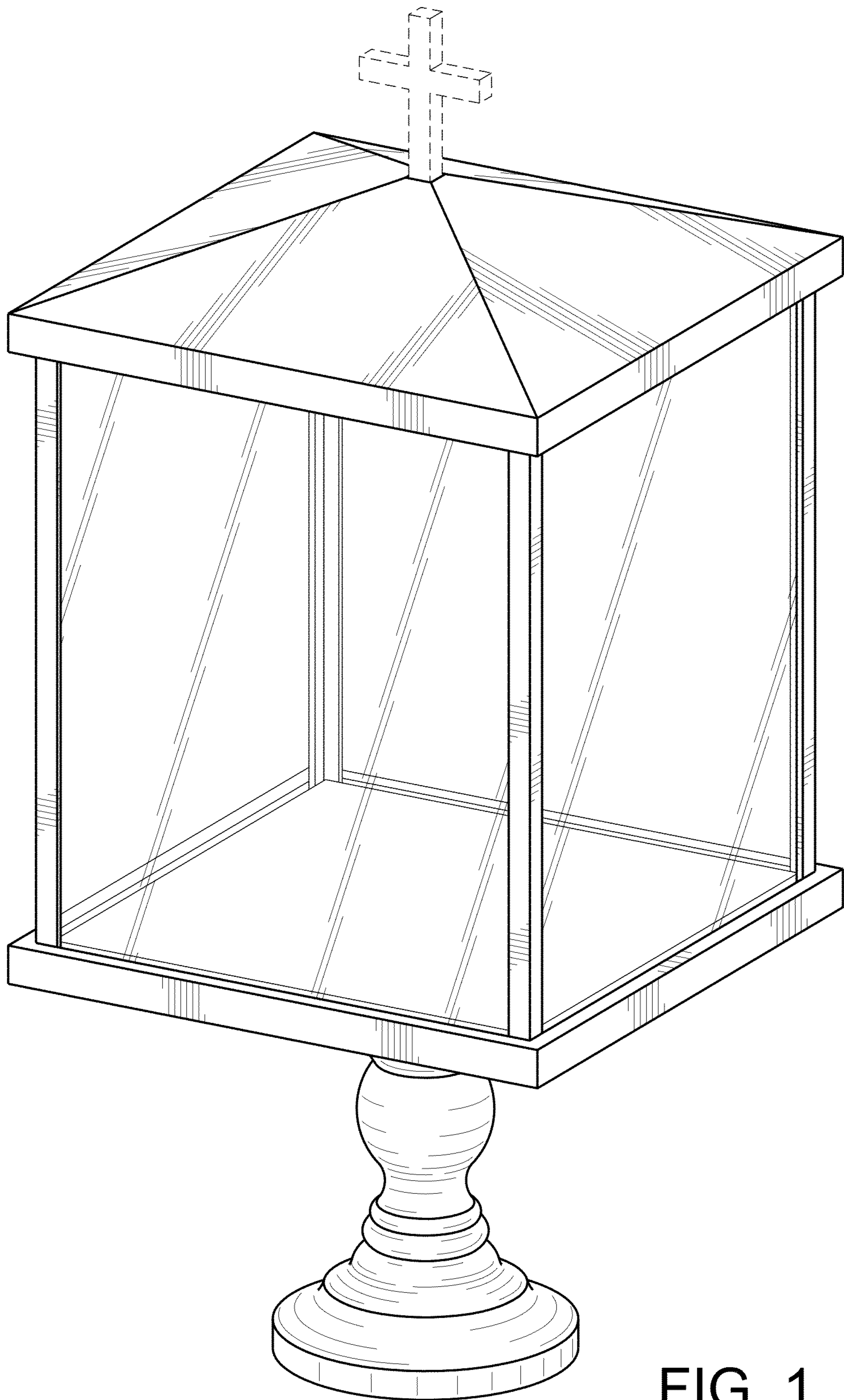


FIG. 1

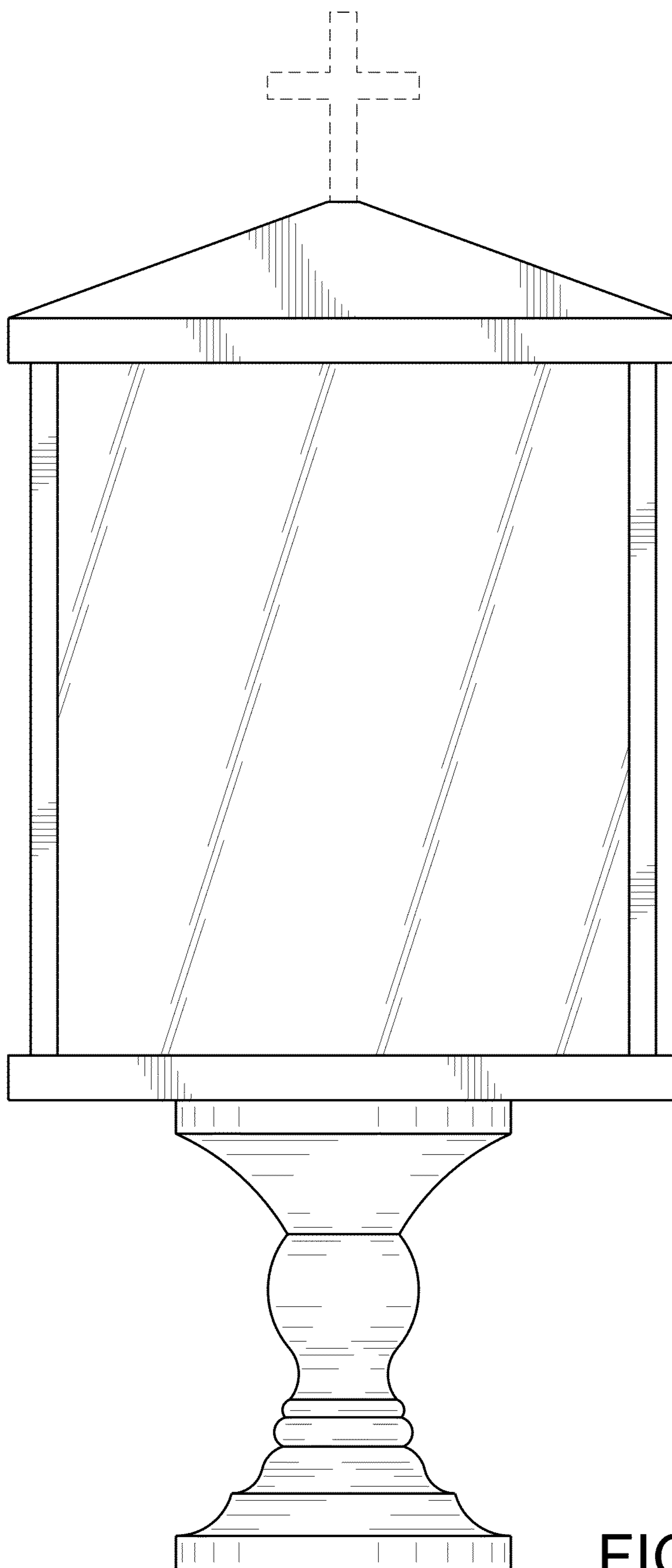


FIG. 2

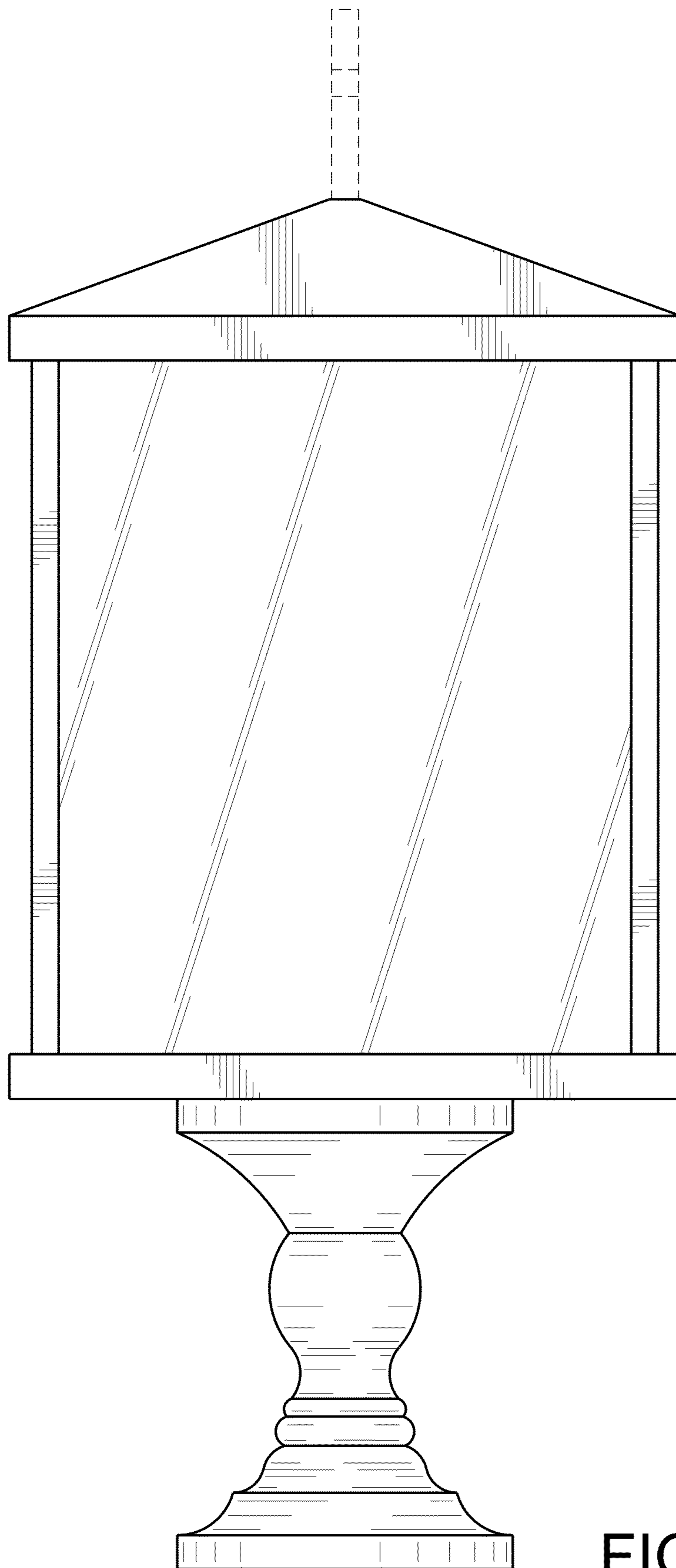


FIG. 3

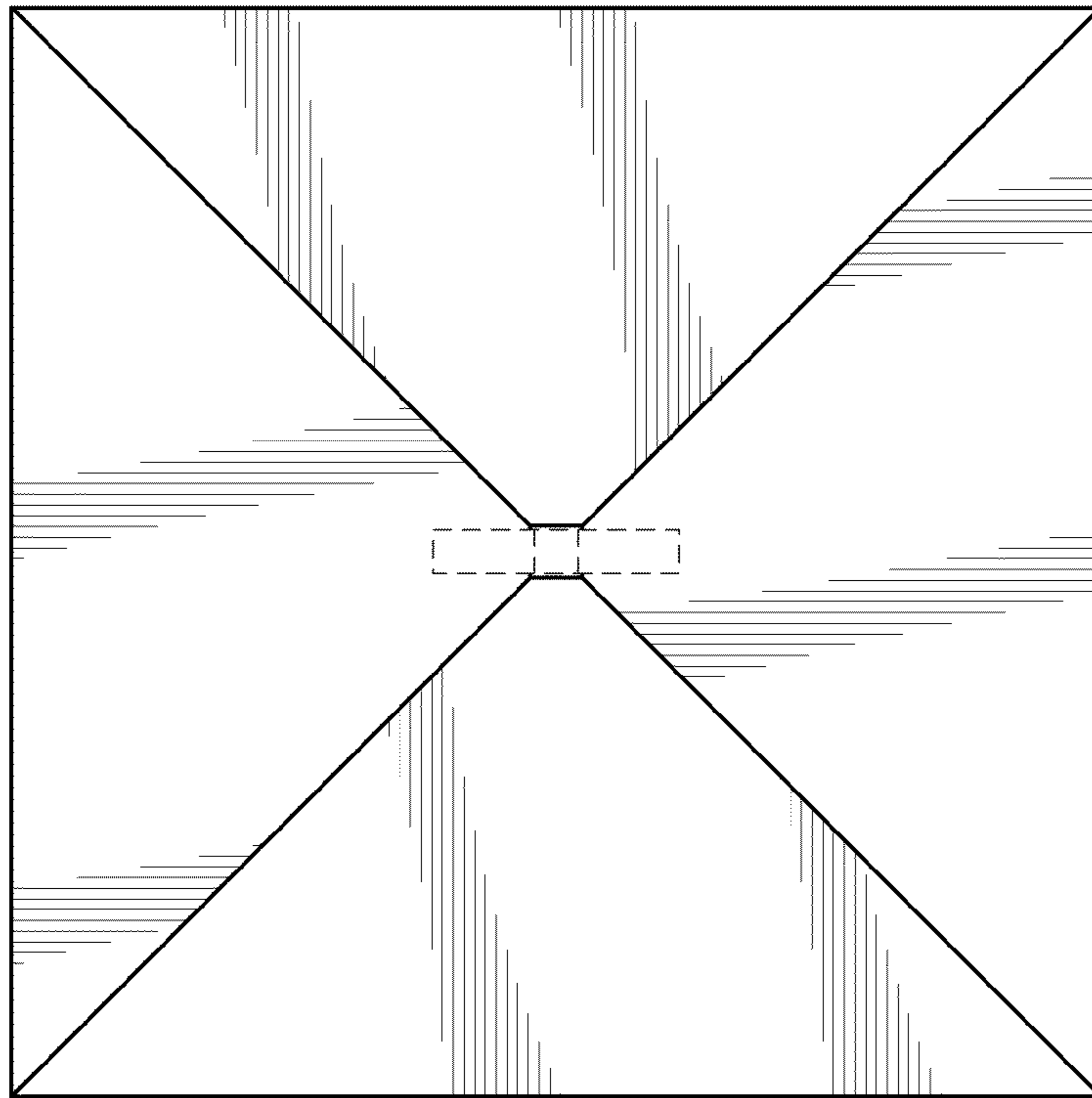


FIG. 4

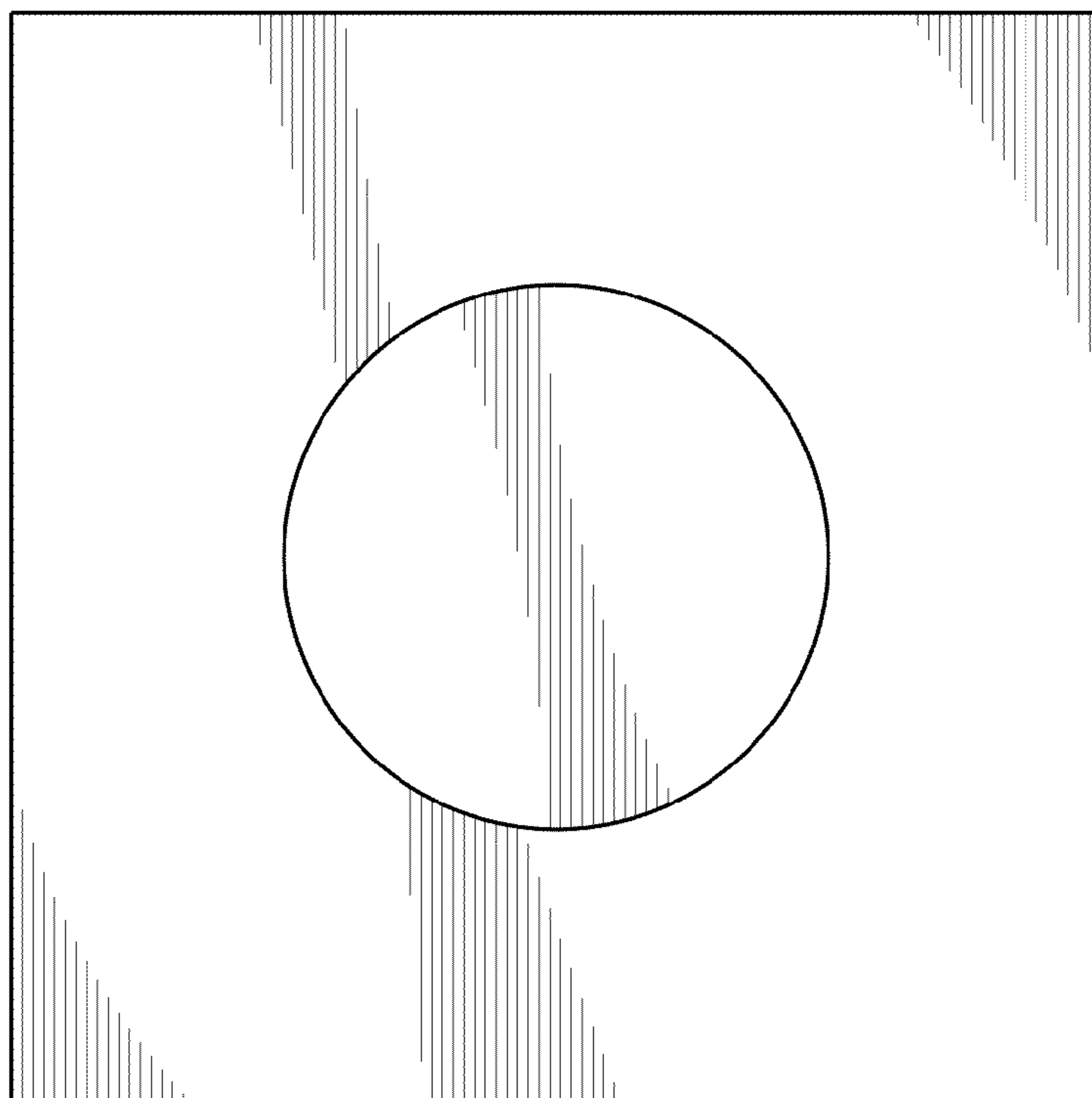


FIG. 5