



US00D756061S

(12) **United States Design Patent**
Trotnow et al.

(10) **Patent No.:** **US D756,061 S**

(45) **Date of Patent:** **** May 10, 2016**

(54) **ANCHOR HOIST DRUM**

(71) Applicant: **Caterpillar Global Mining LLC**, Oak Creek, WI (US)

(72) Inventors: **Jason J. Trotnow**, West Allis, WI (US);
Gurbachan S. Bumraw, Franklin, WI (US)

(73) Assignee: **Caterpillar Global Mining LLC**, Oak Creek, WI (US)

(**) Term: **14 Years**

(21) Appl. No.: **29/518,824**

(22) Filed: **Feb. 27, 2015**

(51) **LOC (10) Cl.** **12-05**

(52) **U.S. Cl.**
USPC **D34/35**

(58) **Field of Classification Search**
USPC D34/33, 28, 32, 35; 254/264, 252, 382,
254/374, 356, 380, 369, 334; 414/426, 427,
414/428, 430
CPC B66D 1/30; B66D 1/36; B66D 1/22;
E02F 3/308; E02F 3/427
See application file for complete search history.

(56) **References Cited**

U.S. PATENT DOCUMENTS

- 3,608,865 A * 9/1971 Kirk B66D 1/20
172/26.5
- 3,682,442 A * 8/1972 Baldwin B66D 1/7484
192/12 B
- D271,150 S * 10/1983 Cavanagh D34/33
- D304,254 S * 10/1989 Lyall D12/317
- D434,892 S * 12/2000 Roll D34/33

- D479,899 S * 9/2003 Hodge D34/33
- D703,907 S * 4/2014 Khrakovsky D34/33
- D721,214 S * 1/2015 Trochum D34/33
- 2013/0259621 A1 10/2013 Wurster et al.
- 2014/0027691 A1 1/2014 Ilaka et al.
- 2014/0157634 A1 6/2014 Fix et al.
- 2015/0008381 A1 1/2015 Hausladen et al.

FOREIGN PATENT DOCUMENTS

DE 102005004816 2/2005

OTHER PUBLICATIONS

U.S. Appl. No. 14/634,292, entitled "Hoist Drum for Power Shovel" by Jason J. Trotnow et al., filed Feb. 27, 2015.

* cited by examiner

Primary Examiner — Cynthia Ramirez

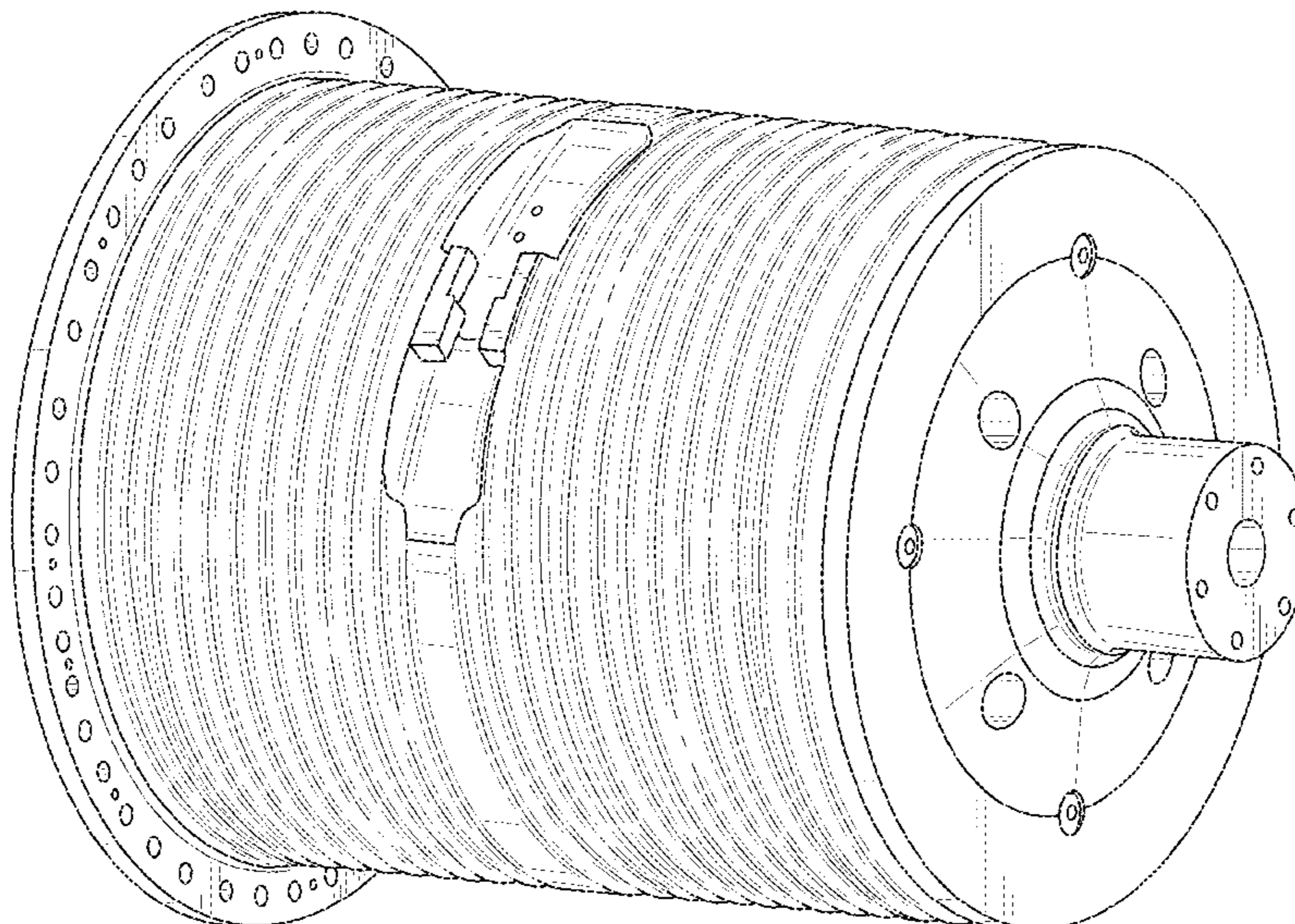
(57) **CLAIM**

The ornamental design for an anchor hoist drum, as shown and described.

DESCRIPTION

FIG. 1 is a front, top, left perspective view of an anchor hoist drum, showing our new design;
 FIG. 2 is a left side view thereof, the right side view being a mirror image thereto;
 FIG. 3 is a top plan view thereof, the bottom plan view being a mirror image thereto;
 FIG. 4 is a front elevation view thereof;
 FIG. 5 is a rear elevation view thereof;
 FIG. 6 is a top, rear, left perspective view thereof;
 FIG. 7 is a cross-sectional view thereof taken at 7-7 in FIG. 5; and,
 FIG. 8 is a cross-sectional view thereof taken at 8-8 in FIG. 5.

1 Claim, 8 Drawing Sheets



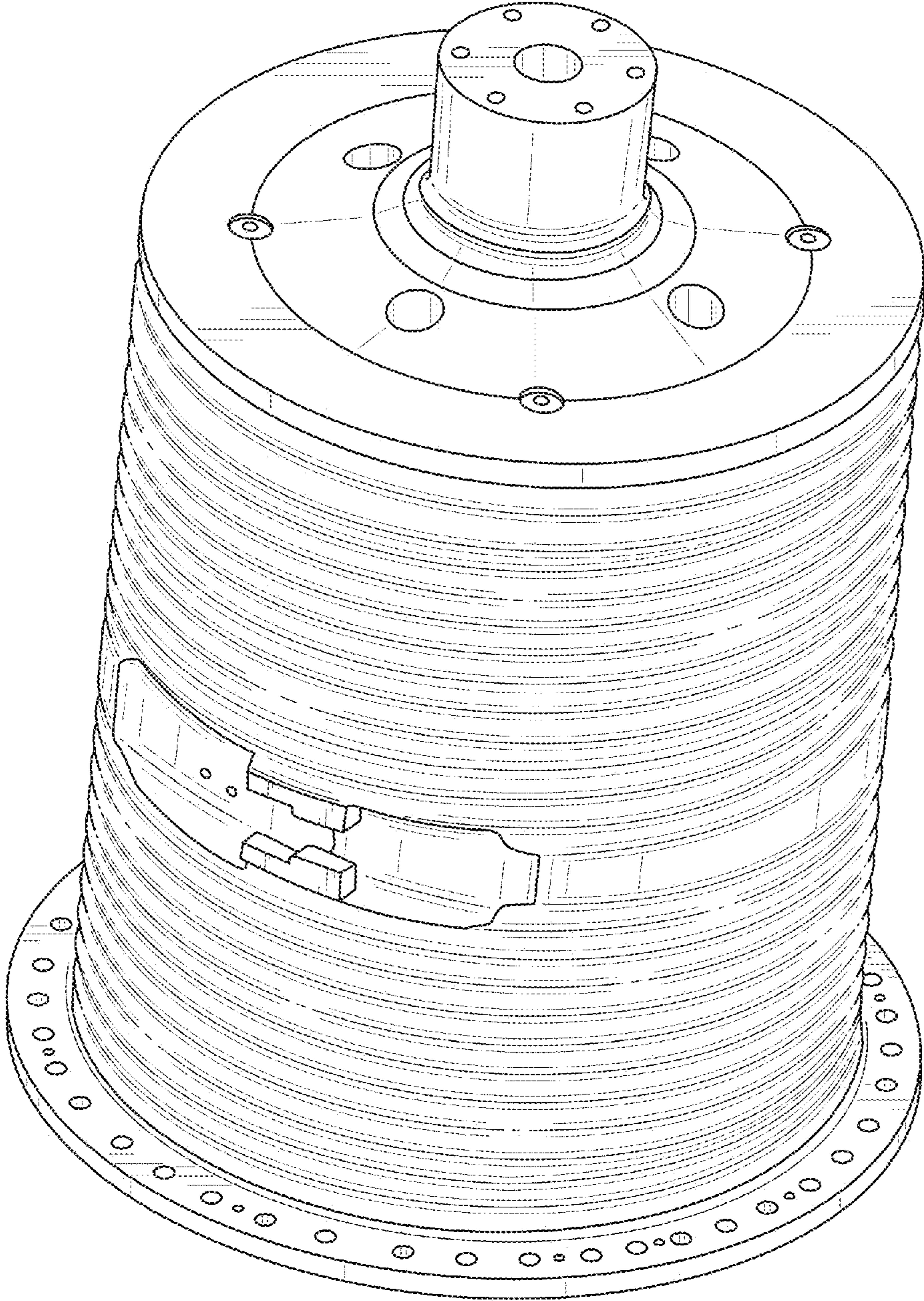


FIG. 1

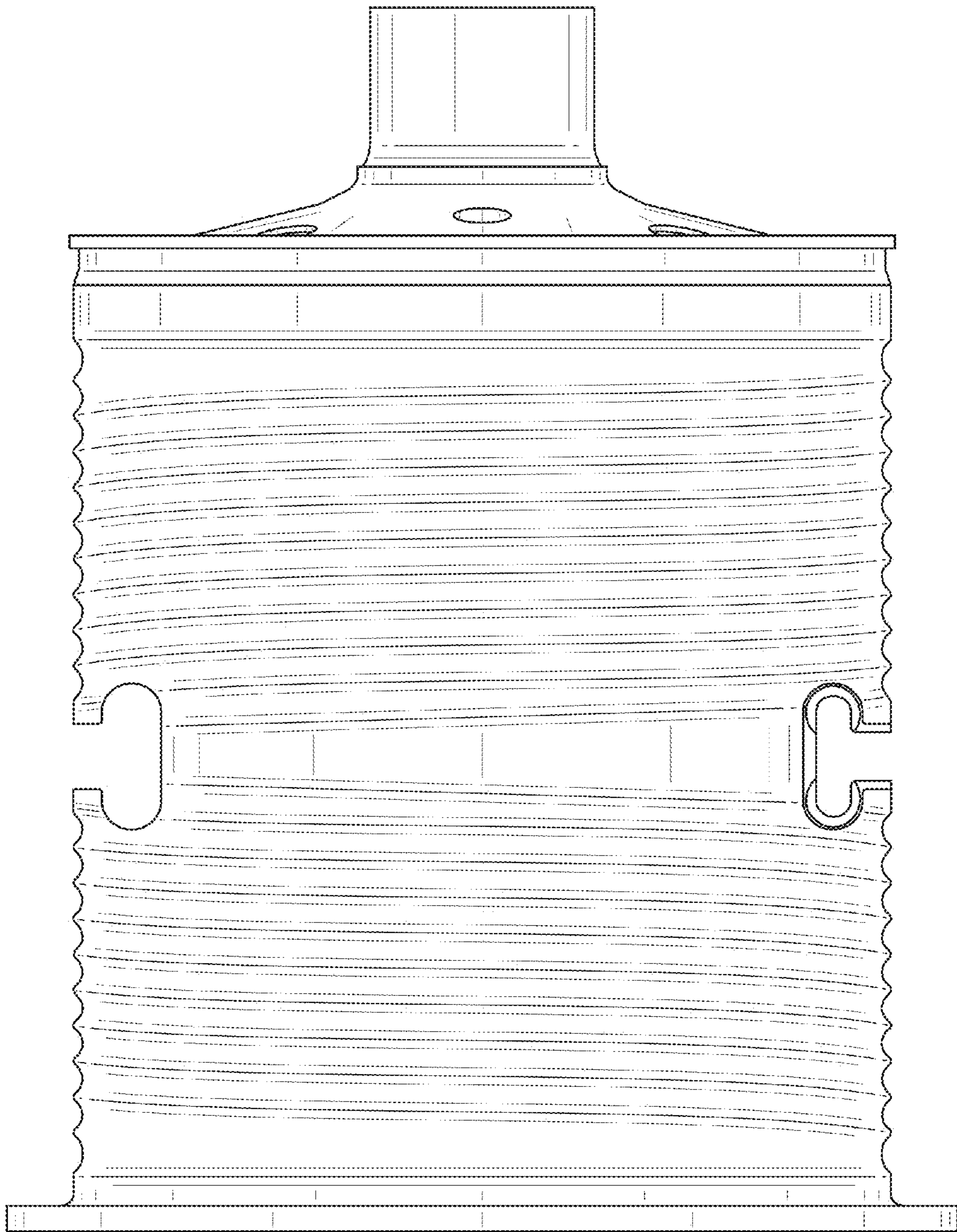


FIG. 2

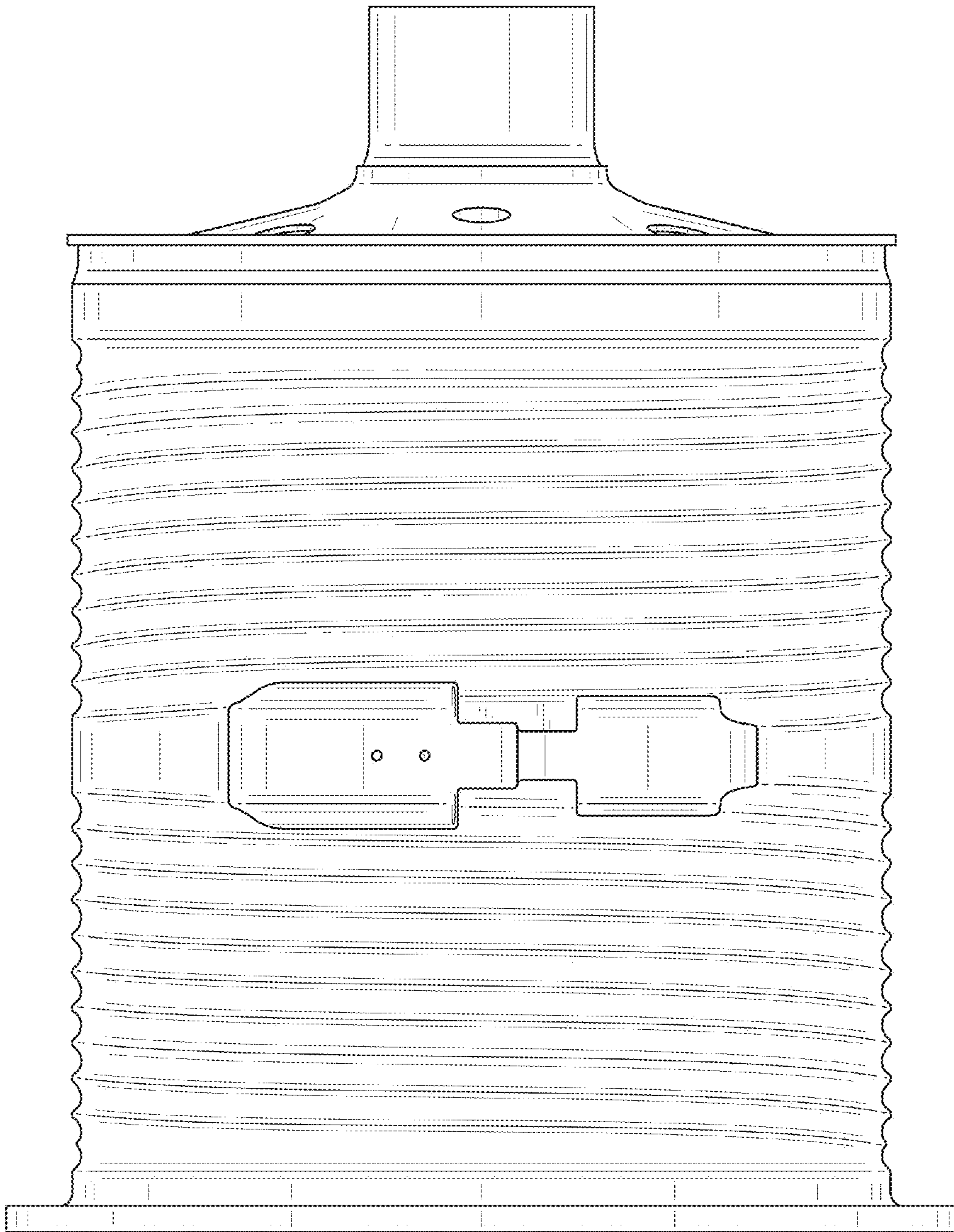


FIG. 3

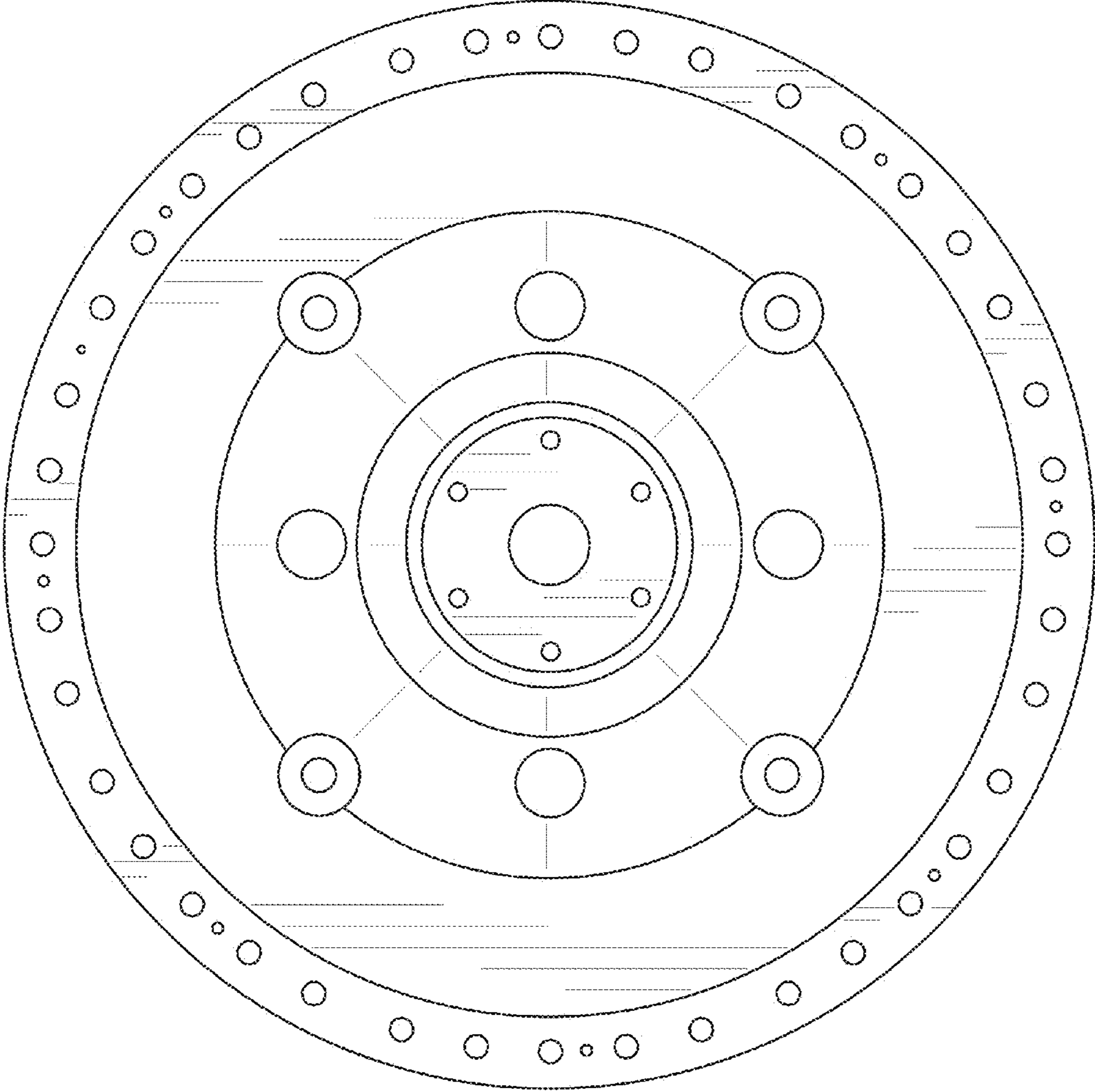


FIG. 4

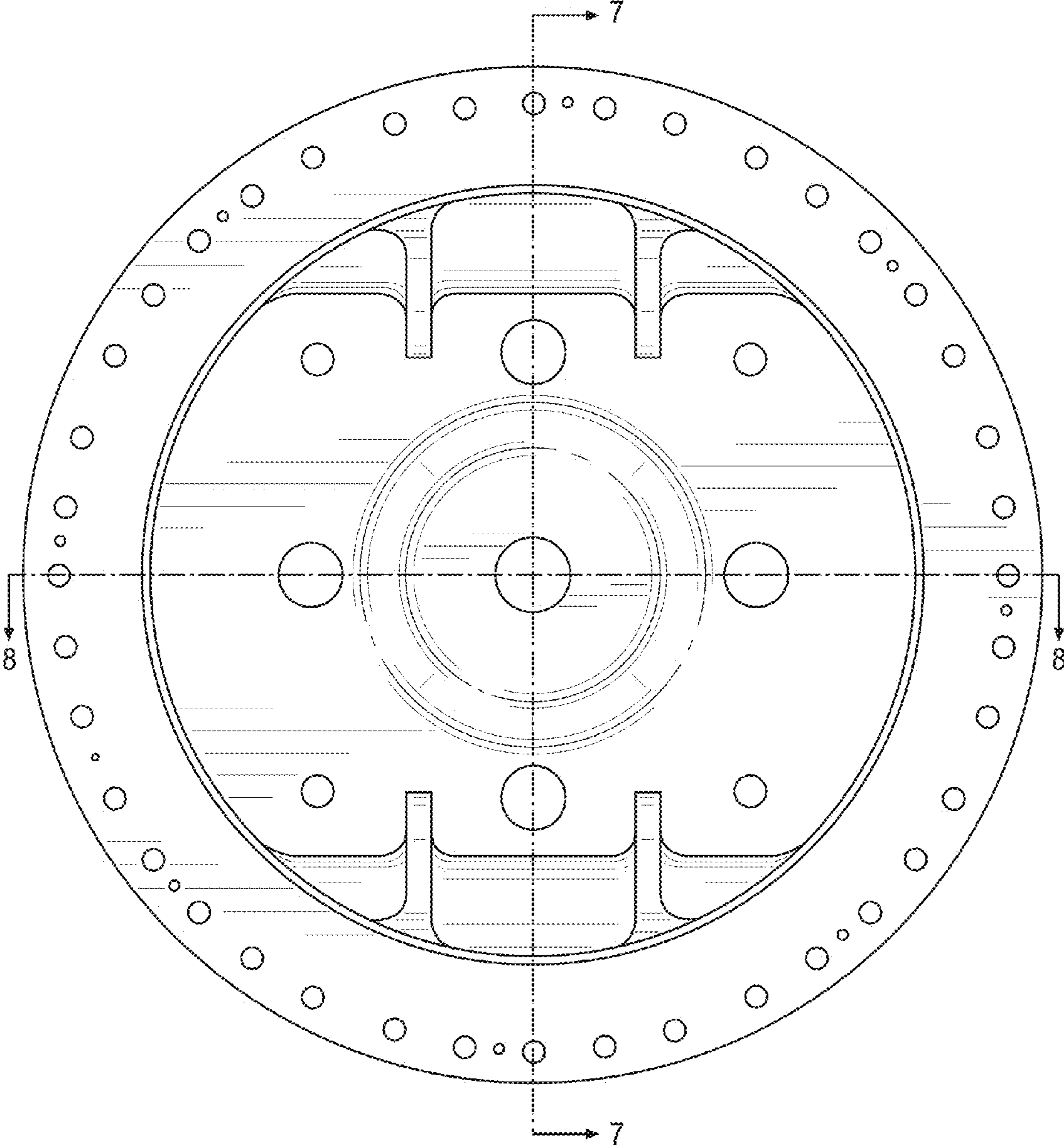


FIG. 5

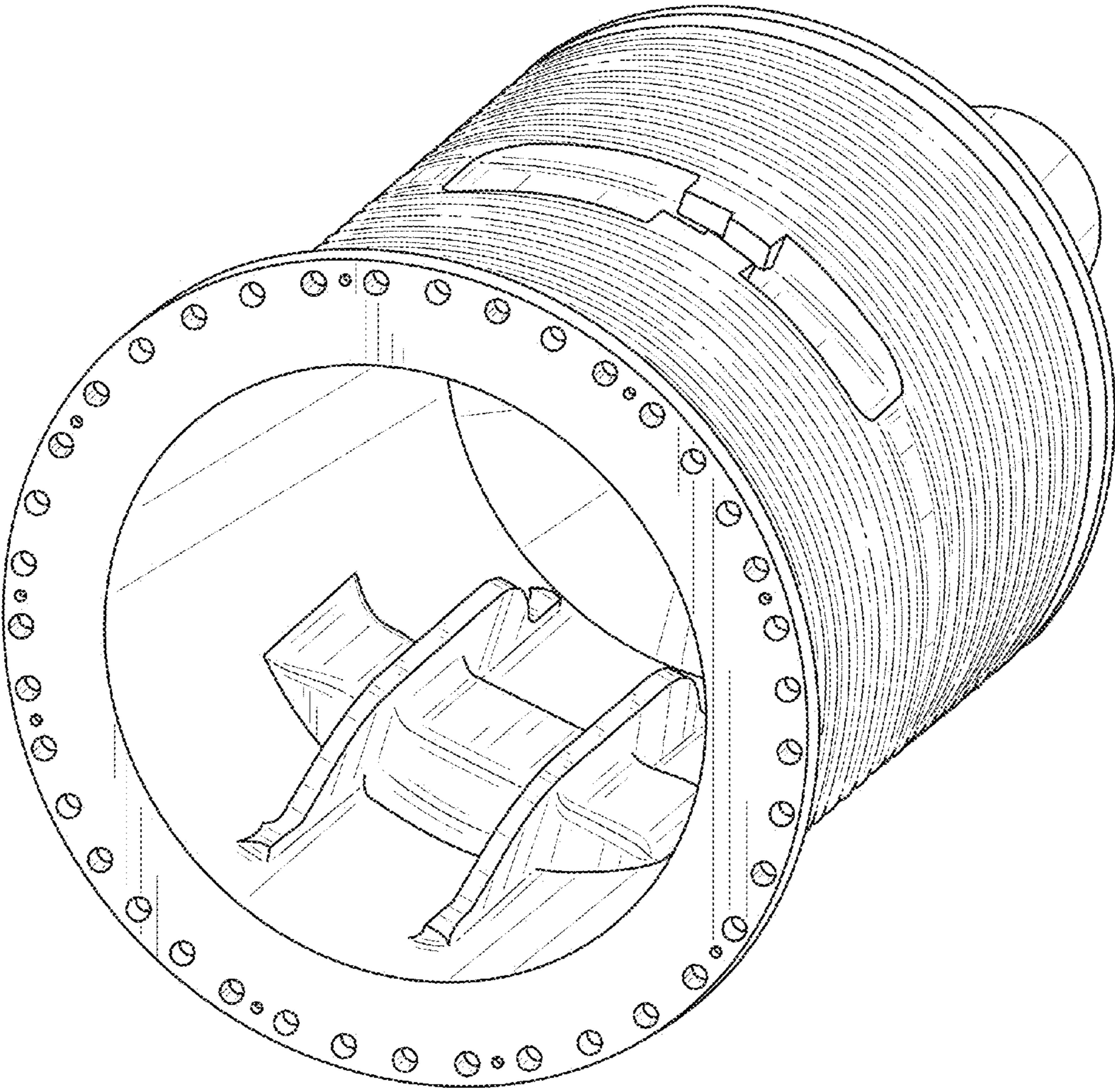


FIG. 6

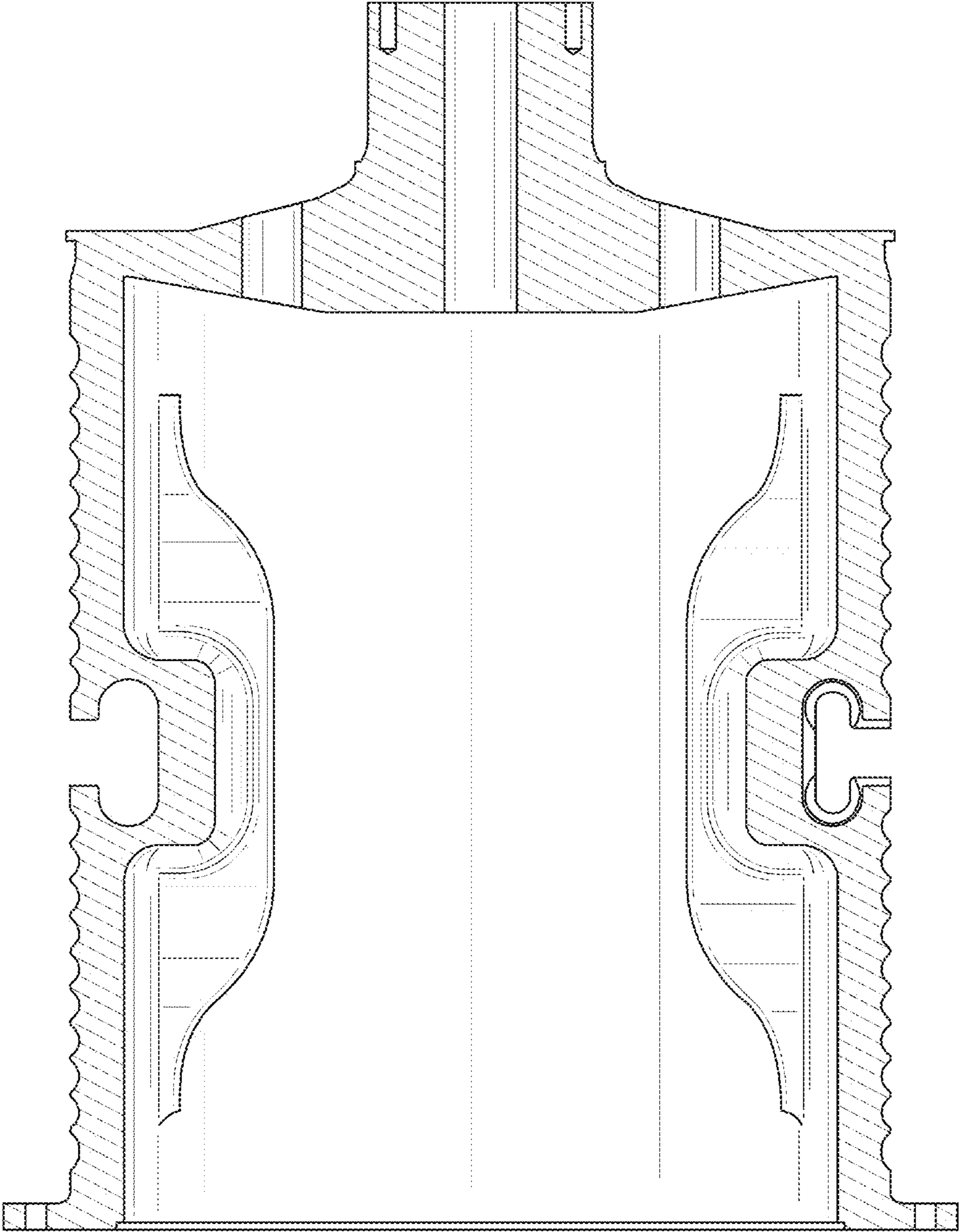


FIG. 7

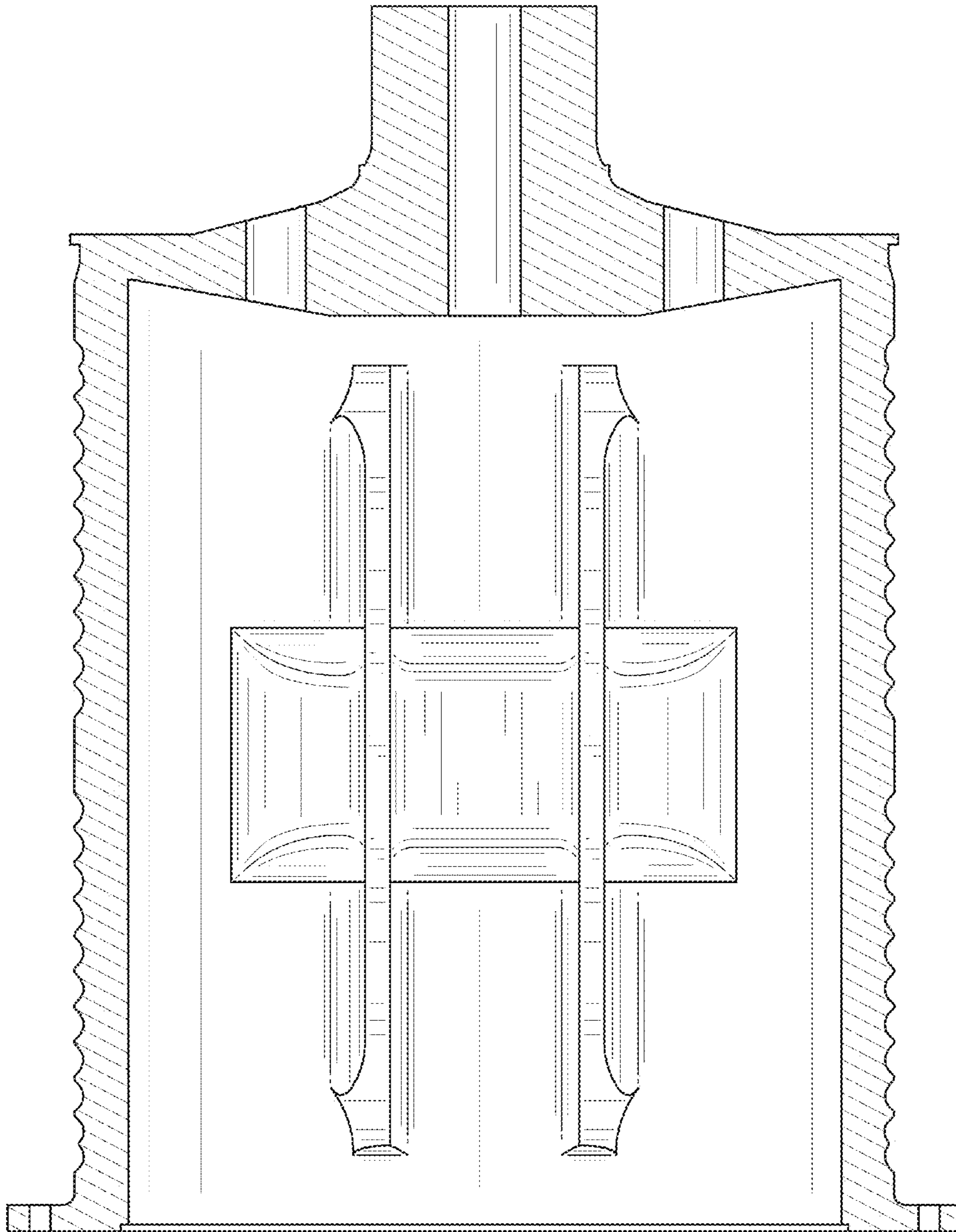


FIG. 8