



US00D756058S

(12) **United States Design Patent**
Kang

(10) **Patent No.:** **US D756,058 S**

(45) **Date of Patent:** **** May 10, 2016**

(54) **FORKLIFT**

(71) Applicant: **Doosan Corporation**, Seoul (KR)

(72) Inventor: **Sung Kyu Kang**, Gyeonggi-do (KR)

(73) Assignee: **Doosan Corporation**, Seoul (KR)

(**) Term: **15 Years**

(21) Appl. No.: **29/531,160**

(22) Filed: **Jun. 23, 2015**

(30) **Foreign Application Priority Data**

Dec. 23, 2014 (KR) 30-2014-0062837

(51) **LOC (10) Cl.** **12-05**

(52) **U.S. Cl.**
USPC **D34/34**

(58) **Field of Classification Search**
USPC D34/33, 34, 37; D15/23-33; 187/222,
187/237, 238; 414/631, 592
CPC B66F 9/06; B66F 9/24; B66F 9/12;
B66F 9/0755; B66F 9/07572; B66F 17/003
See application file for complete search history.

(56) **References Cited**

U.S. PATENT DOCUMENTS

D393,134 S * 3/1998 Mariano D34/28
D395,115 S * 6/1998 Russey D34/34
D427,409 S * 6/2000 Sato D34/34

D468,885 S * 1/2003 Salin D34/34
D471,339 S * 3/2003 Mori D34/34
D538,004 S * 3/2007 Kouyama D34/34
D557,474 S * 12/2007 Kouyama D34/34
D612,563 S * 3/2010 Stark D34/34
D634,504 S * 3/2011 Radaelli D34/34
D657,932 S * 4/2012 Kazaoka D34/34
D663,502 S * 7/2012 Lin D34/34
D663,503 S * 7/2012 Lin D34/34
D694,984 S * 12/2013 Kawakami D34/34
D703,908 S * 4/2014 Hiraoka D34/34
D725,863 S * 3/2015 Kazaoka D34/34
D731,736 S * 6/2015 Kurihara D34/34
D731,737 S * 6/2015 Seimiya D34/34
D741,565 S * 10/2015 Schweig D34/34

* cited by examiner

Primary Examiner — Mark Goodwin

(74) *Attorney, Agent, or Firm* — IP & T Group LLP

(57) **CLAIM**

The ornamental design for a forklift, as shown and described.

DESCRIPTION

FIG. 1 is a perspective view of a forklift showing the new design;

FIG. 2 is a front view thereof;

FIG. 3 is a rear view thereof;

FIG. 4 is a left side view thereof;

FIG. 5 is a right side view thereof;

FIG. 6 is a top view thereof; and,

FIG. 7 is a bottom view thereof.

1 Claim, 7 Drawing Sheets

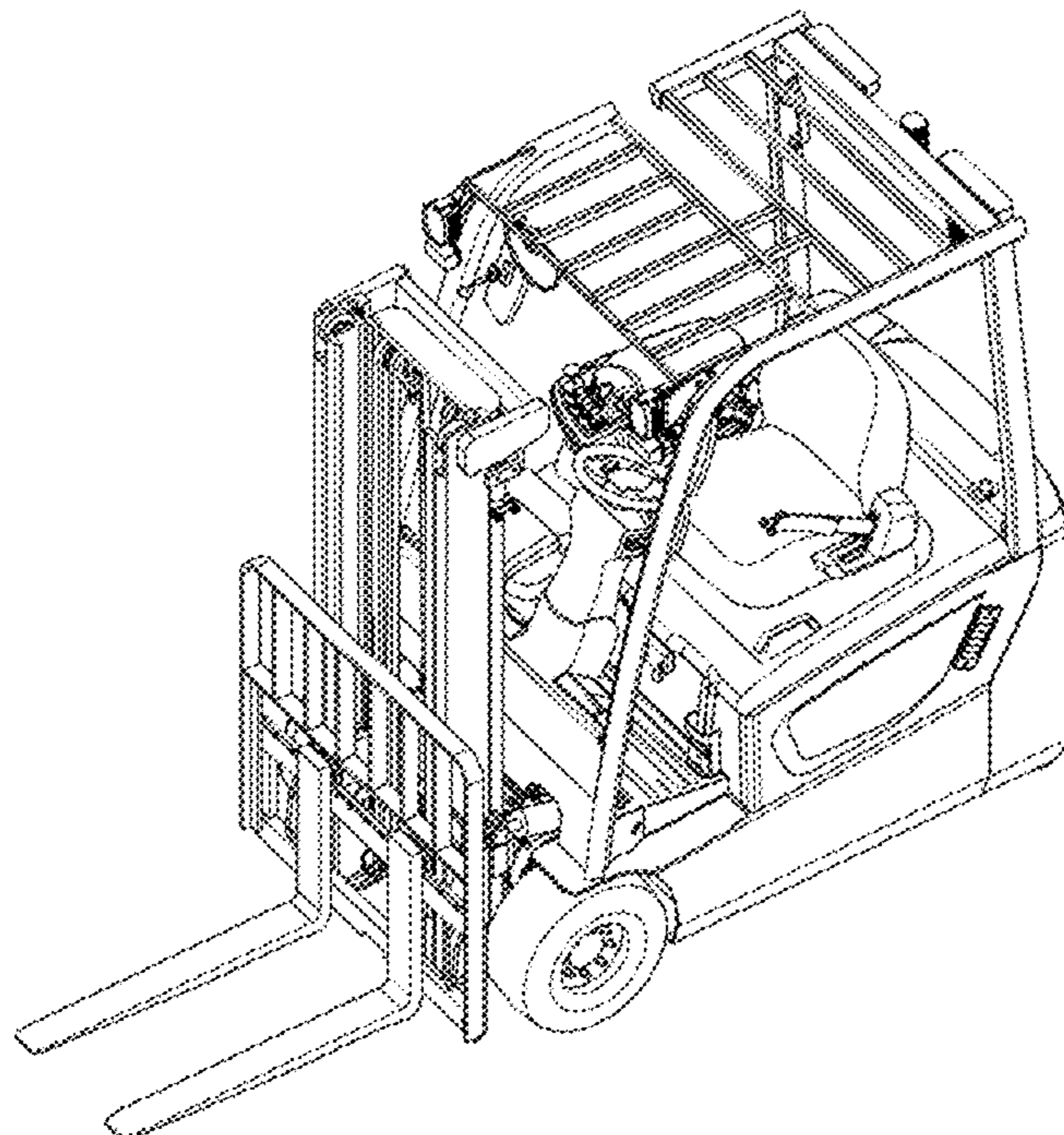


FIG. 1

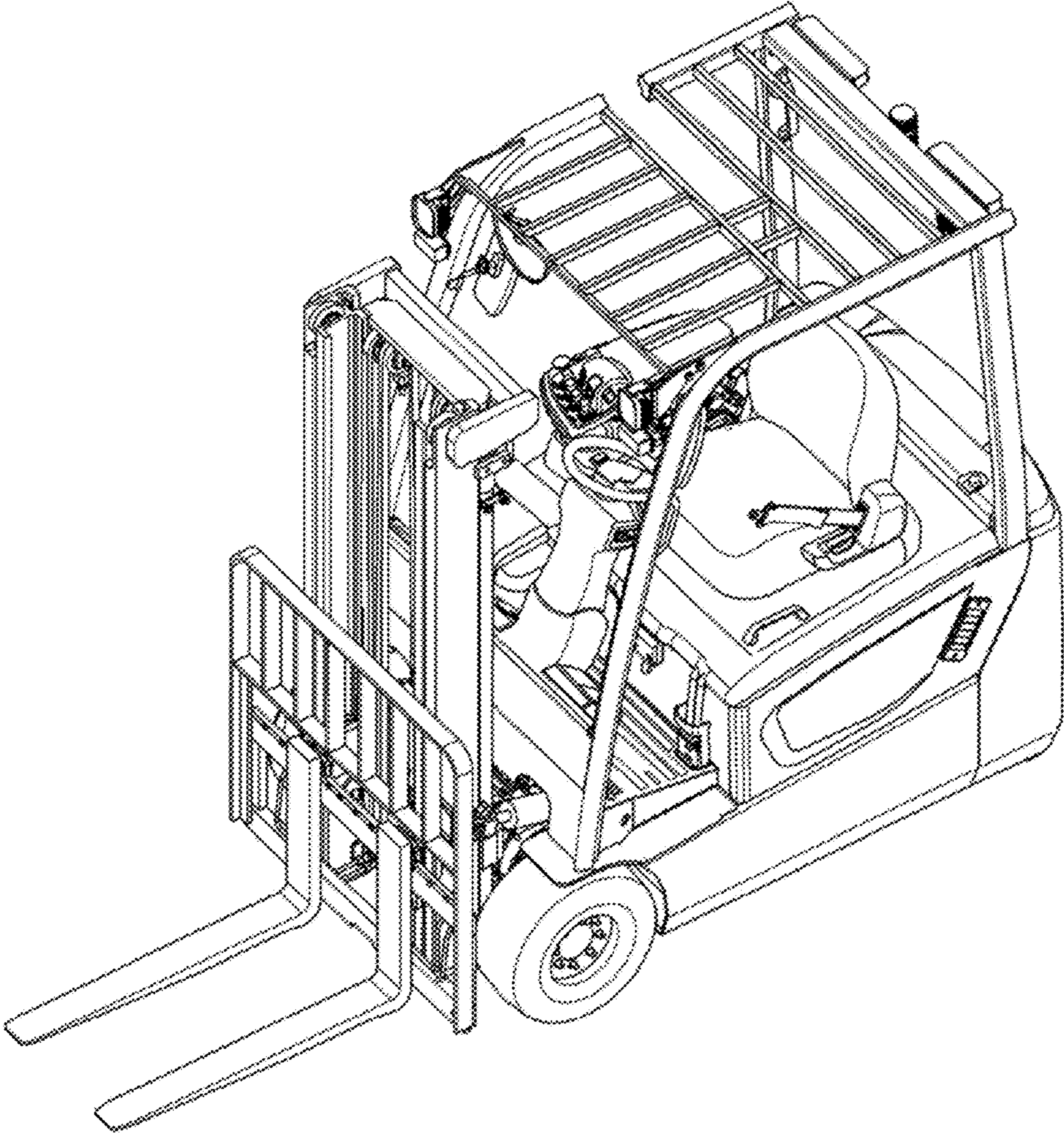


FIG. 2

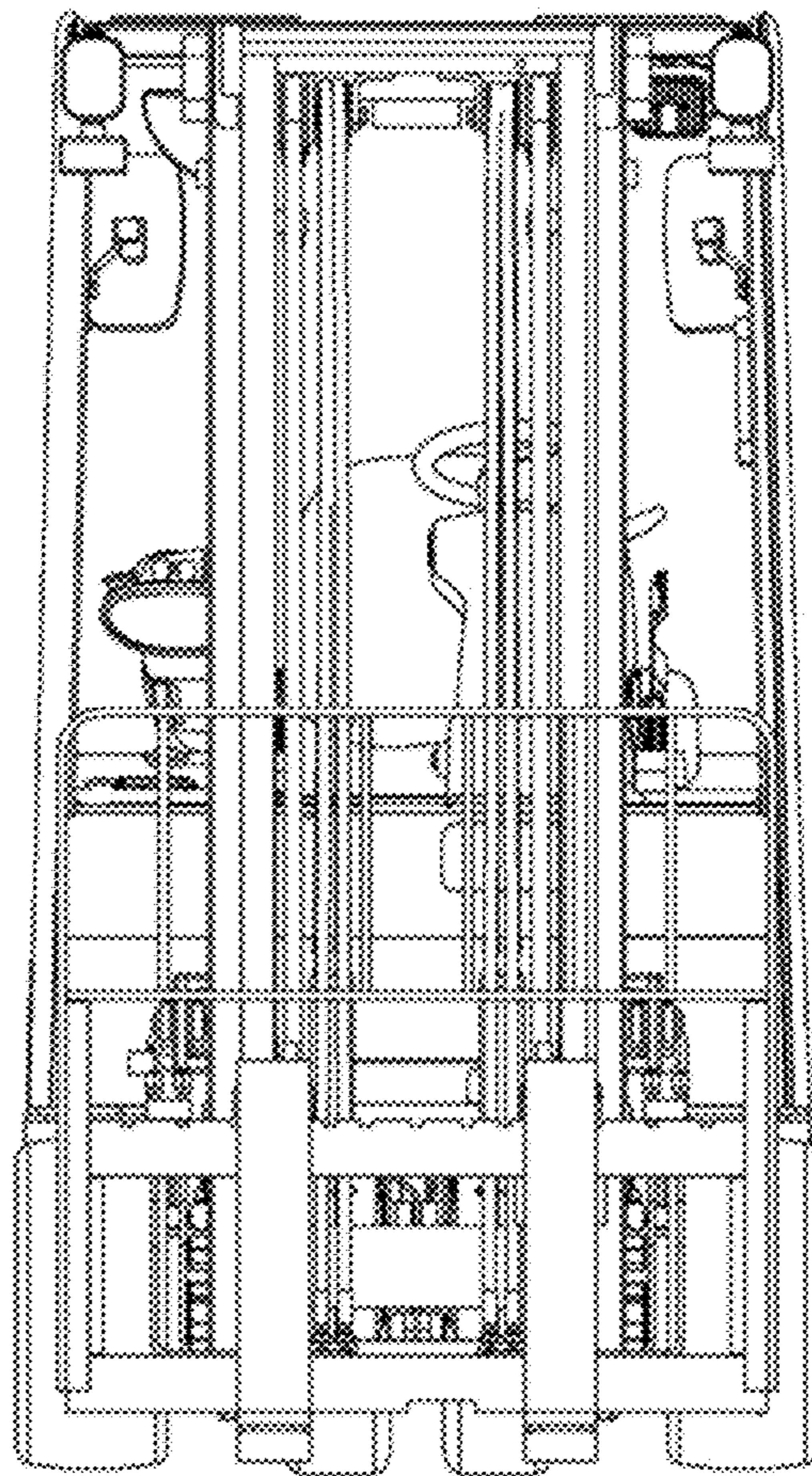


FIG. 3

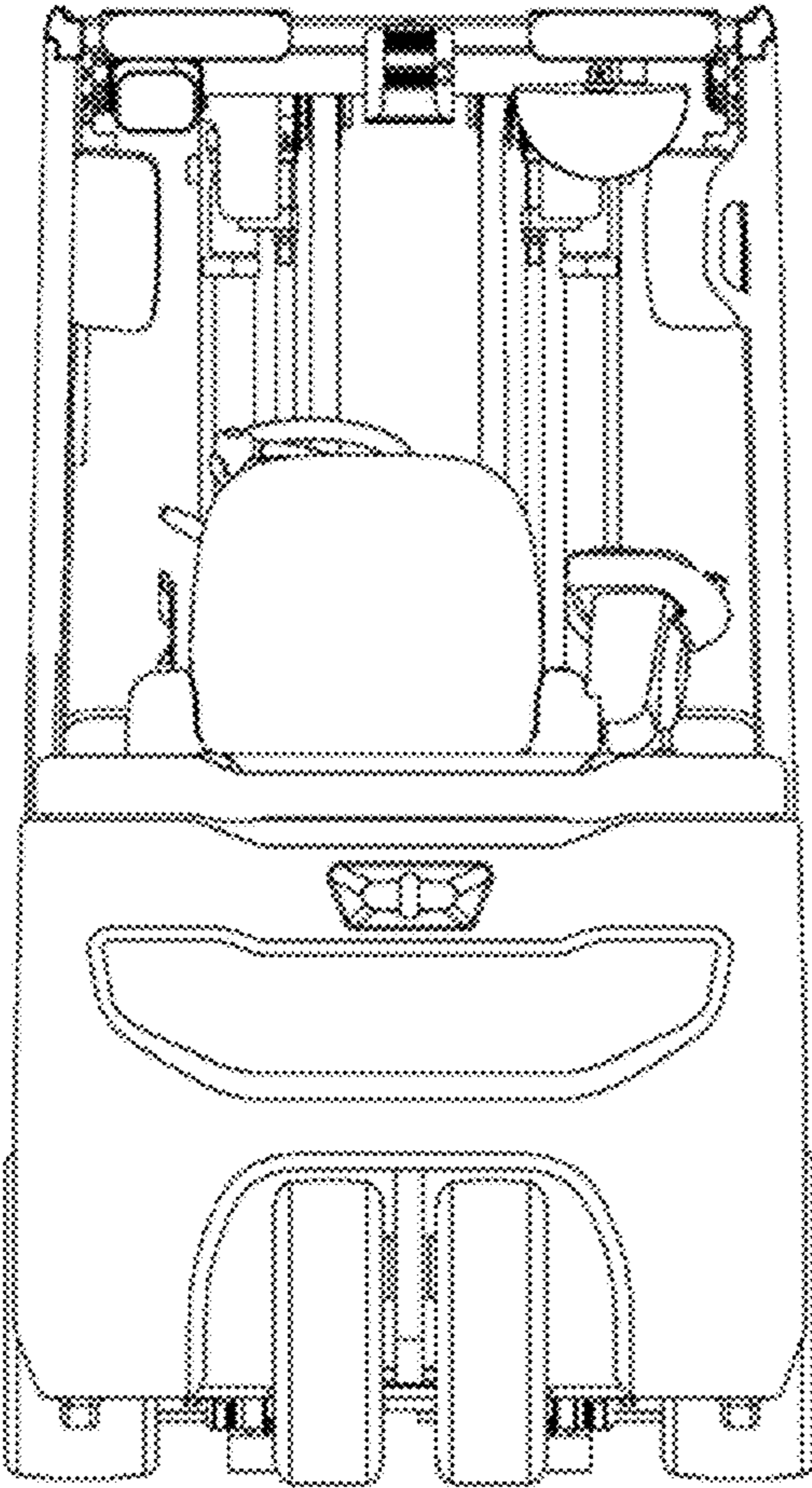


FIG. 4

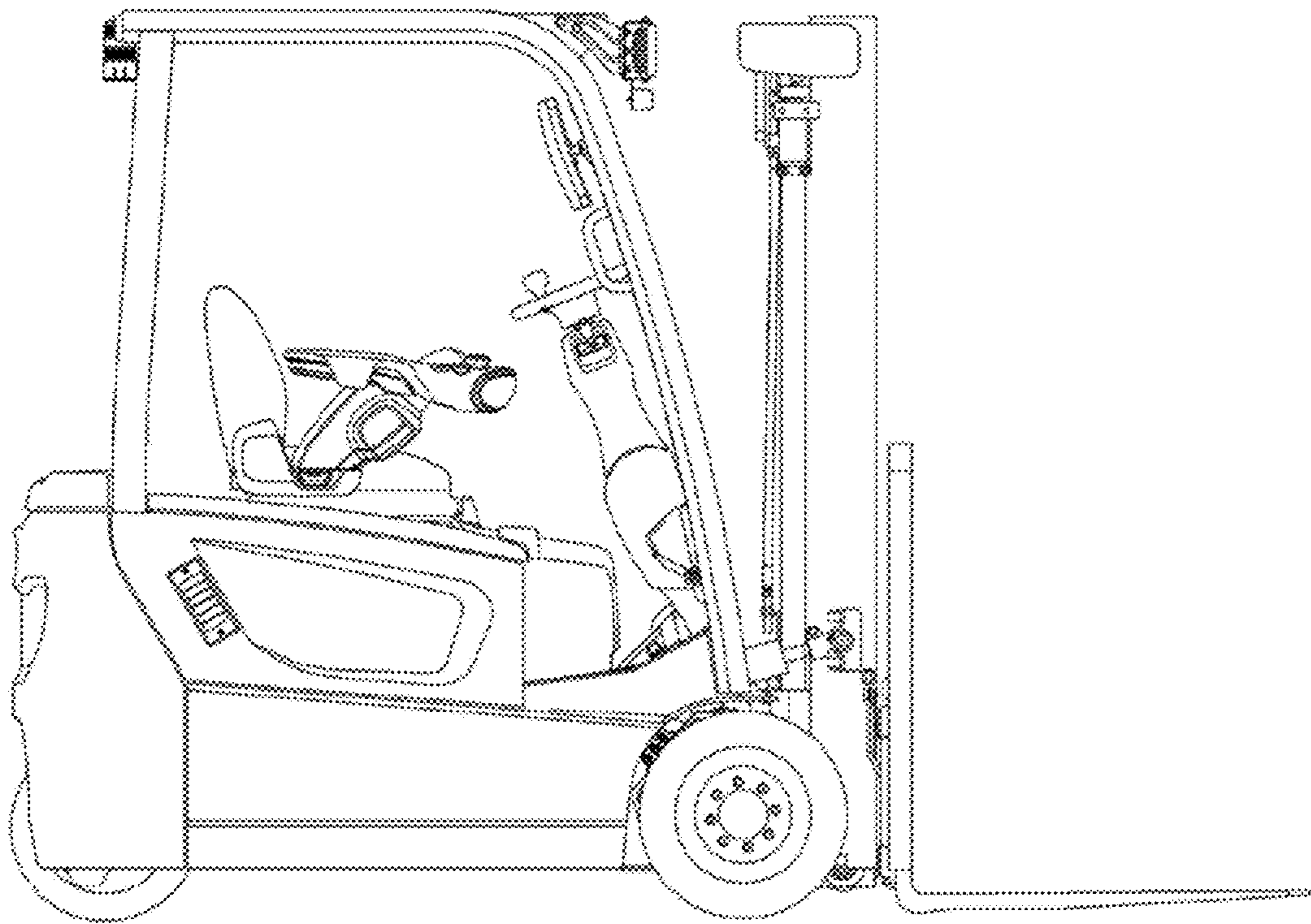


FIG. 5

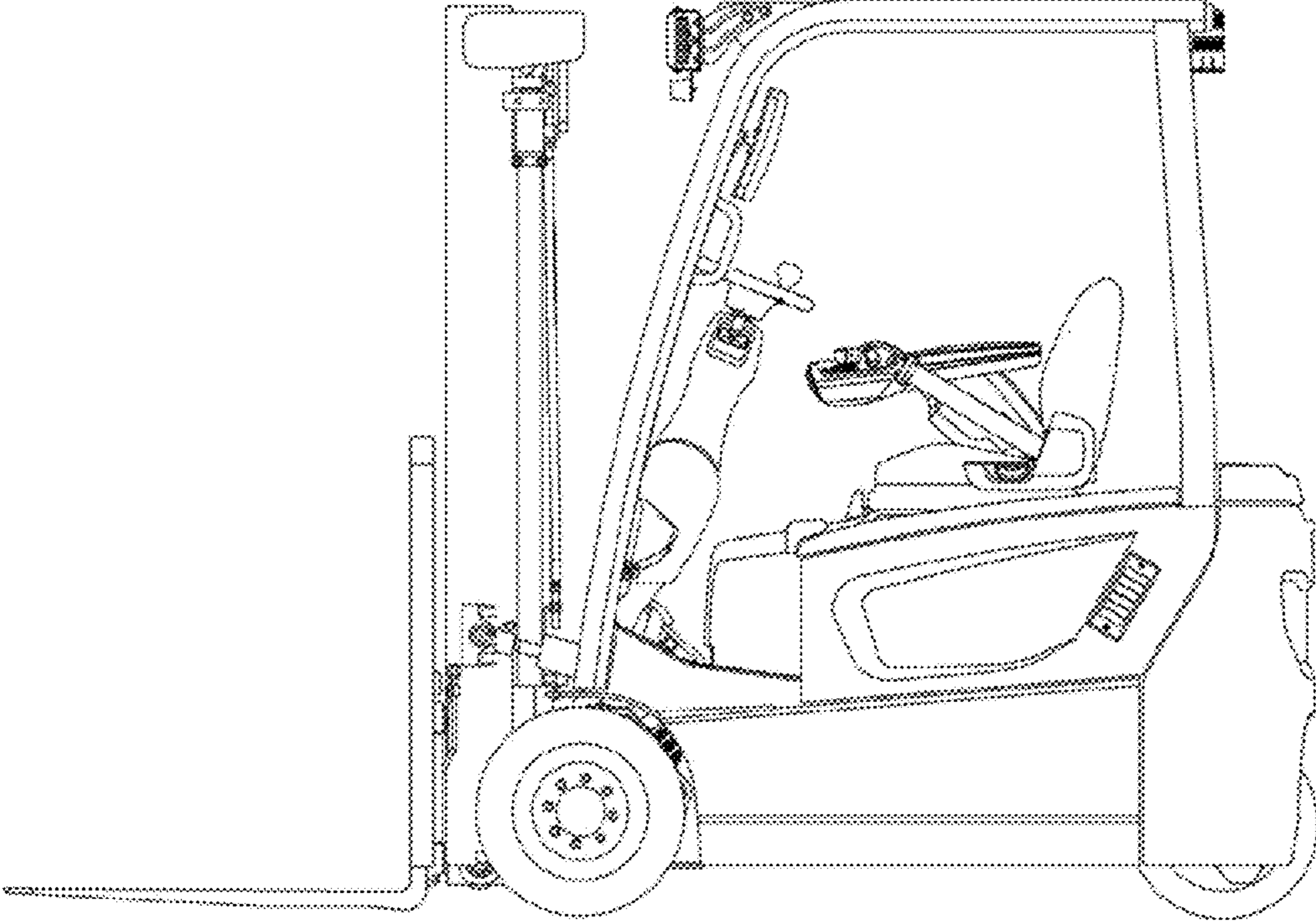


FIG. 6

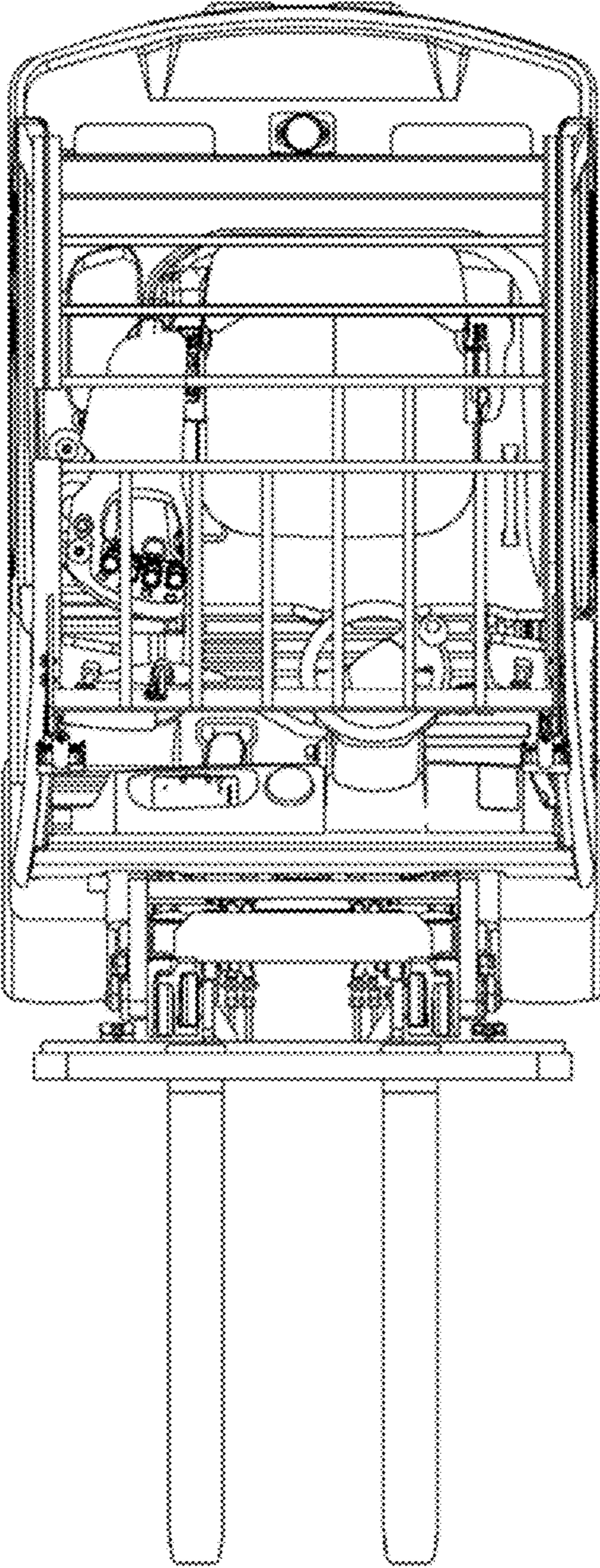


FIG. 7

