



US00D756057S

(12) **United States Design Patent**
Nessler et al.

(10) **Patent No.:** **US D756,057 S**
(45) **Date of Patent:** **** May 10, 2016**

- (54) **REACHSTACKER**
- (71) Applicant: **Liebherr-Werk Nenzing GmbH**,
Nenzing (AT)
- (72) Inventors: **Wolfgang Nessler**, Ausserbraz (AT);
Jens Woide, Nenzing (AT); **Walter**
Mietschnig, Brand (AT)
- (73) Assignee: **Liebherr-Werk Nenzing GmbH**,
Nenzing (AT)
- (**) Term: **14 Years**
- (21) Appl. No.: **29/519,395**
- (22) Filed: **Mar. 4, 2015**

4,553,899	A *	11/1985	Magni	B66F 9/0655
				414/629
4,674,944	A *	6/1987	Addleman	B66F 9/0655
				414/706
D316,468	S *	4/1991	Sandrock	D15/23
D332,856	S *	1/1993	Krayem	D34/28
5,199,861	A *	4/1993	Merlo	B66F 9/0655
				180/89.12
D366,489	S *	1/1996	Brown	D15/22
D376,243	S *	12/1996	Magni	D34/34
D438,359	S *	2/2001	Braud	D15/23
D480,529	S *	10/2003	Pini	D34/34
6,699,002	B2 *	3/2004	Kinoshita	B66F 9/0655
				280/764.1
7,383,906	B2 *	6/2008	Sewell	B66F 9/0655
				180/89.12
D668,271	S *	10/2012	Hutchinson	D15/22

* cited by examiner

(30) **Foreign Application Priority Data**

Sep. 4, 2014 (EP) 2 530 840

(51) **LOC (10) CL.** **12-05**

(52) **U.S. CL.**
USPC **D34/34; D15/23**

(58) **Field of Classification Search**
USPC D34/34, 31, 28; D15/10, 22, 23, 30, 31,
D15/32, 33; 414/285; 180/89.12, 89.13,
180/89.17; 187/222, 237, 238
CPC E02F 3/286; E02F 9/0808; E02F 9/0833;
E02F 9/123; E02F 9/02; B66F 9/0655; B66F
9/065; B66F 9/07545; B66F 9/07559; B66F
9/122; B66F 9/12; B66F 5/00
See application file for complete search history.

(56) **References Cited**

U.S. PATENT DOCUMENTS

D231,975	S *	7/1974	Aiello et al.	D34/34
3,858,675	A *	1/1975	Geis	B60W 30/18
				180/306
3,985,248	A *	10/1976	Liegel	B66F 9/0655
				212/264
RE30,021	E *	6/1979	Olson	B66F 9/0655
				212/231
4,325,464	A *	4/1982	Larsson	B66F 9/082
				187/227

Primary Examiner — Mark Goodwin

(74) *Attorney, Agent, or Firm* — Alleman Hall McCoy
Russell & Tuttle LLP

(57) **CLAIM**

The ornamental design for a reachstacker, as shown and
described.

DESCRIPTION

FIG. 1 is a front view of a design for a reachstacker according
to the present disclosure.

FIG. 2 is a back view of the reachstacker of FIG. 1.

FIG. 3 is a right view of the reachstacker of FIG. 1.

FIG. 4 is a left view of the reachstacker of FIG. 1.

FIG. 5 is a top view of the reachstacker of FIG. 1.

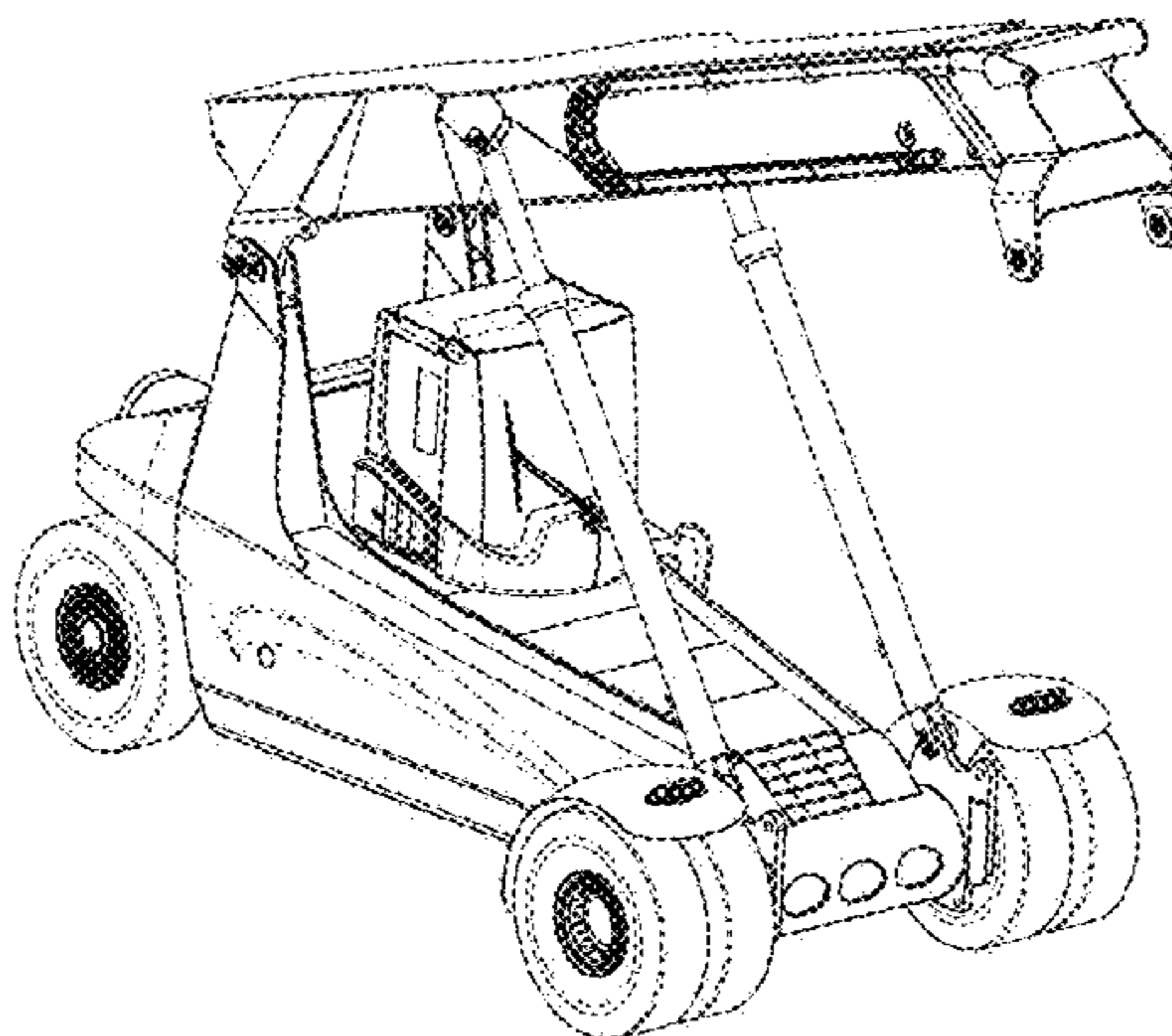
FIG. 6 is a front perspective view of the reachstacker of FIG.
1; and,

FIG. 7 is a back perspective view of the reachstacker of FIG.
1.

The solid lines in FIGS. 1-7 illustrate a reachstacker accord-
ing to the present disclosure.

A bottom view is not shown because there are no claimed
features on the bottom view other than those features included
in the views provided.

1 Claim, 7 Drawing Sheets



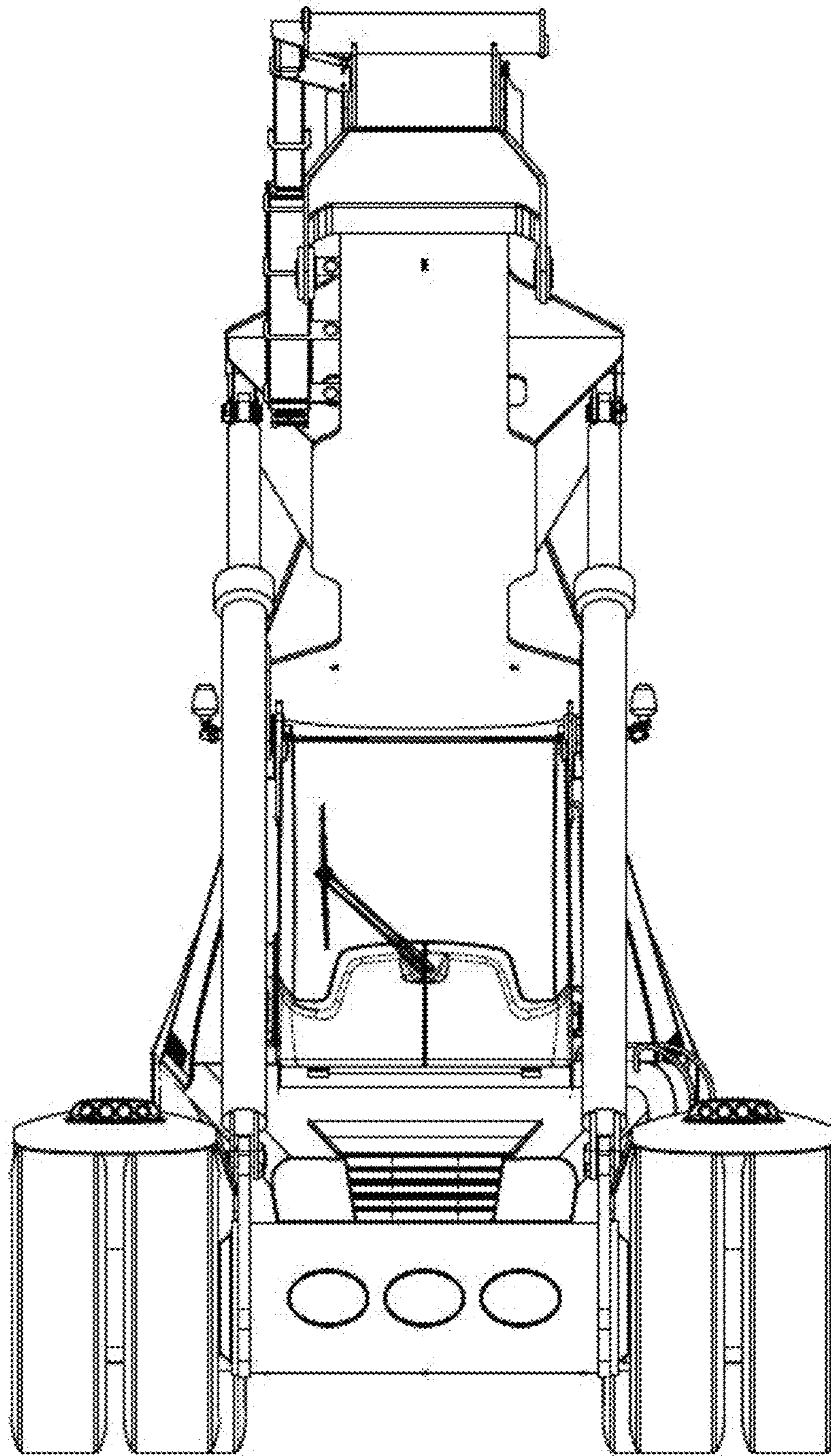


FIG. 1

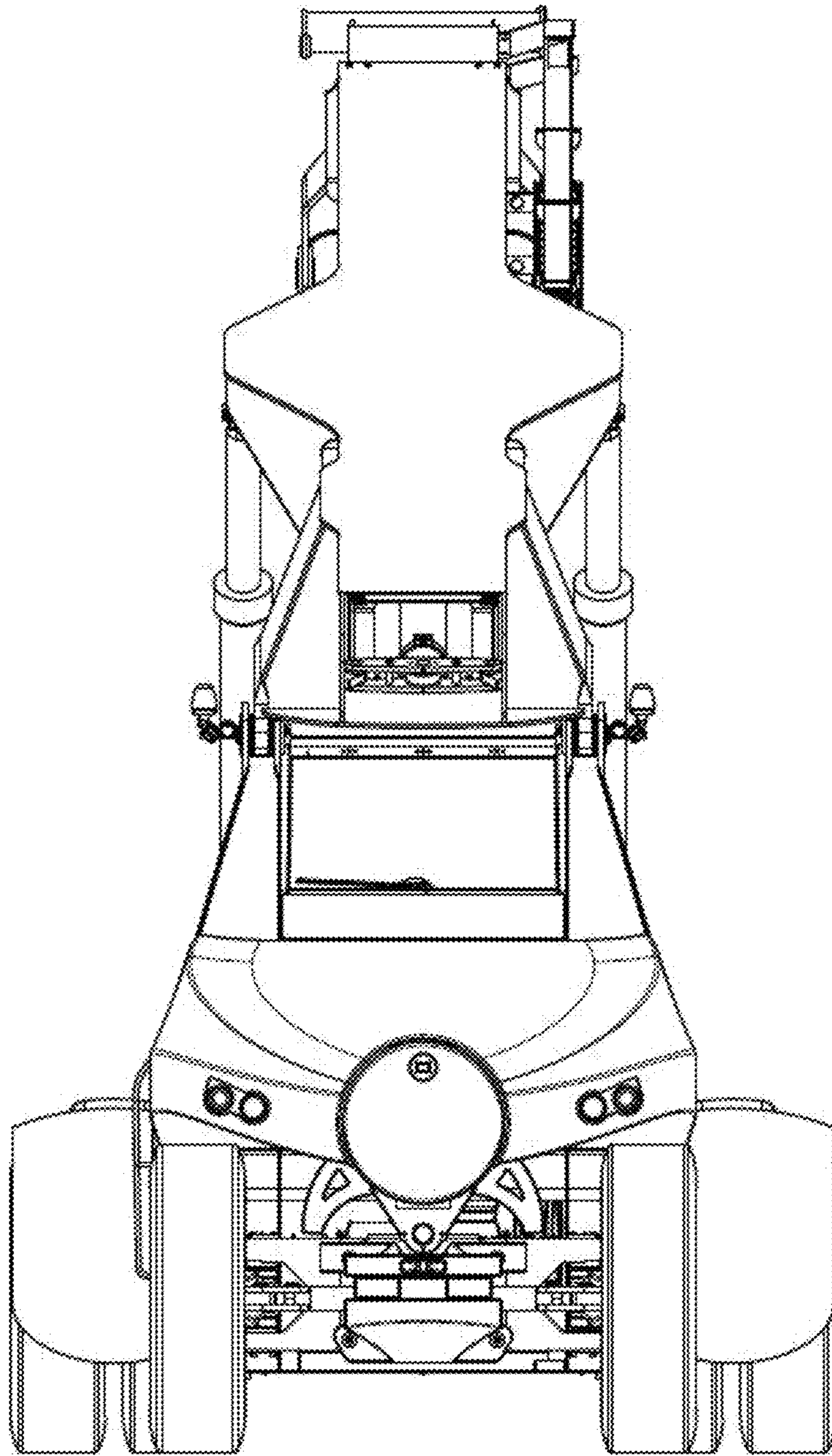


FIG. 2

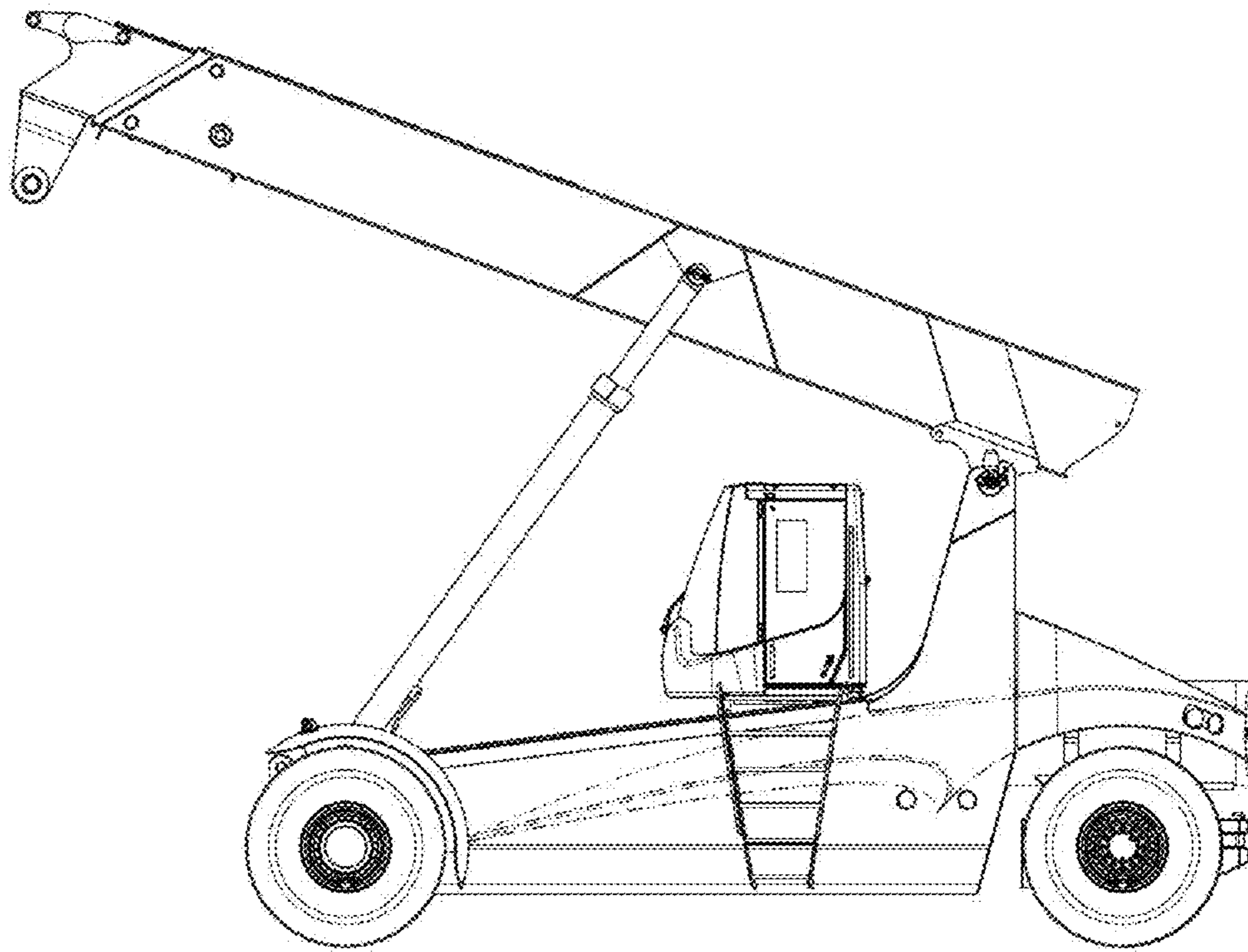


FIG. 3

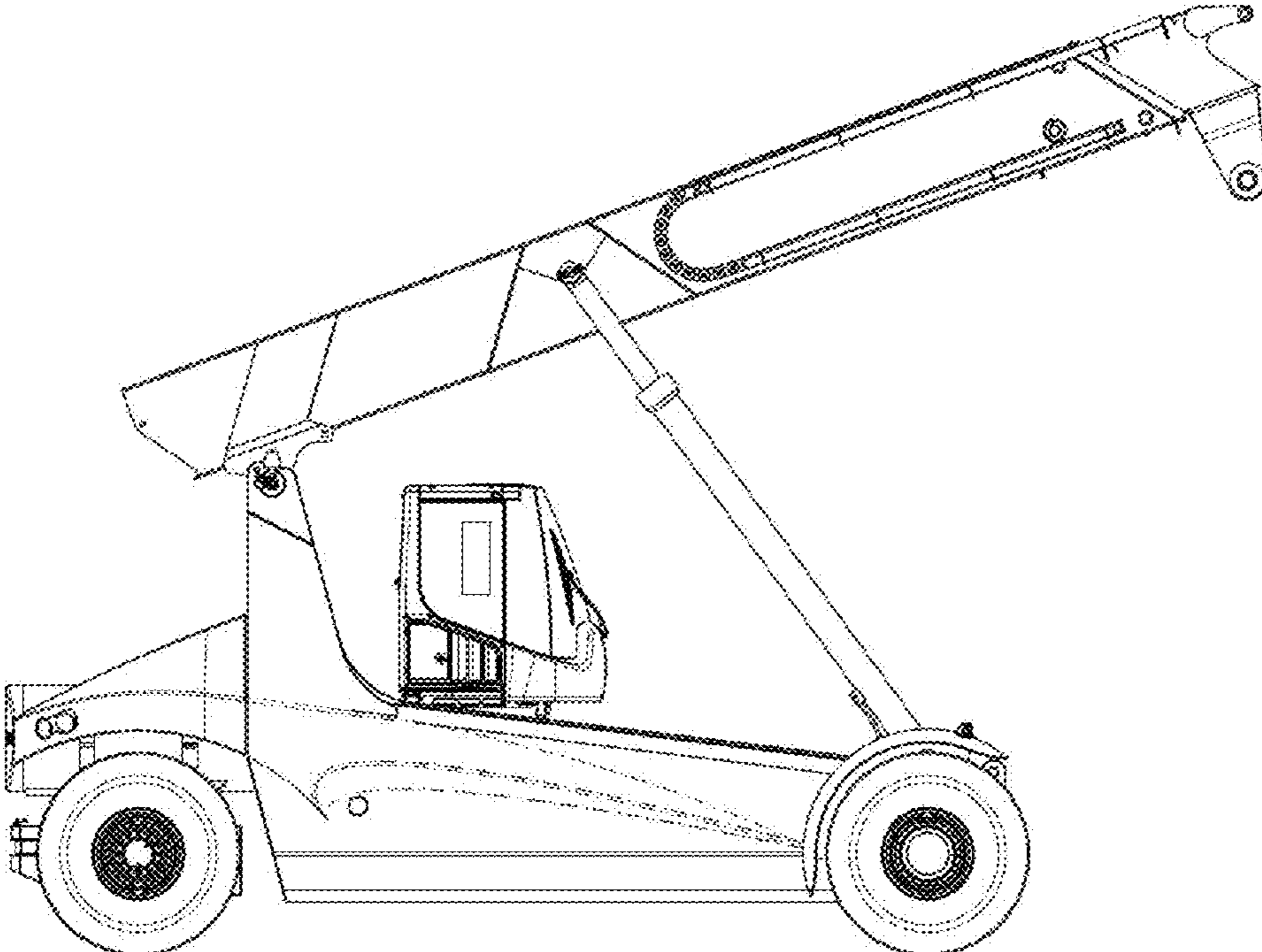


FIG. 4

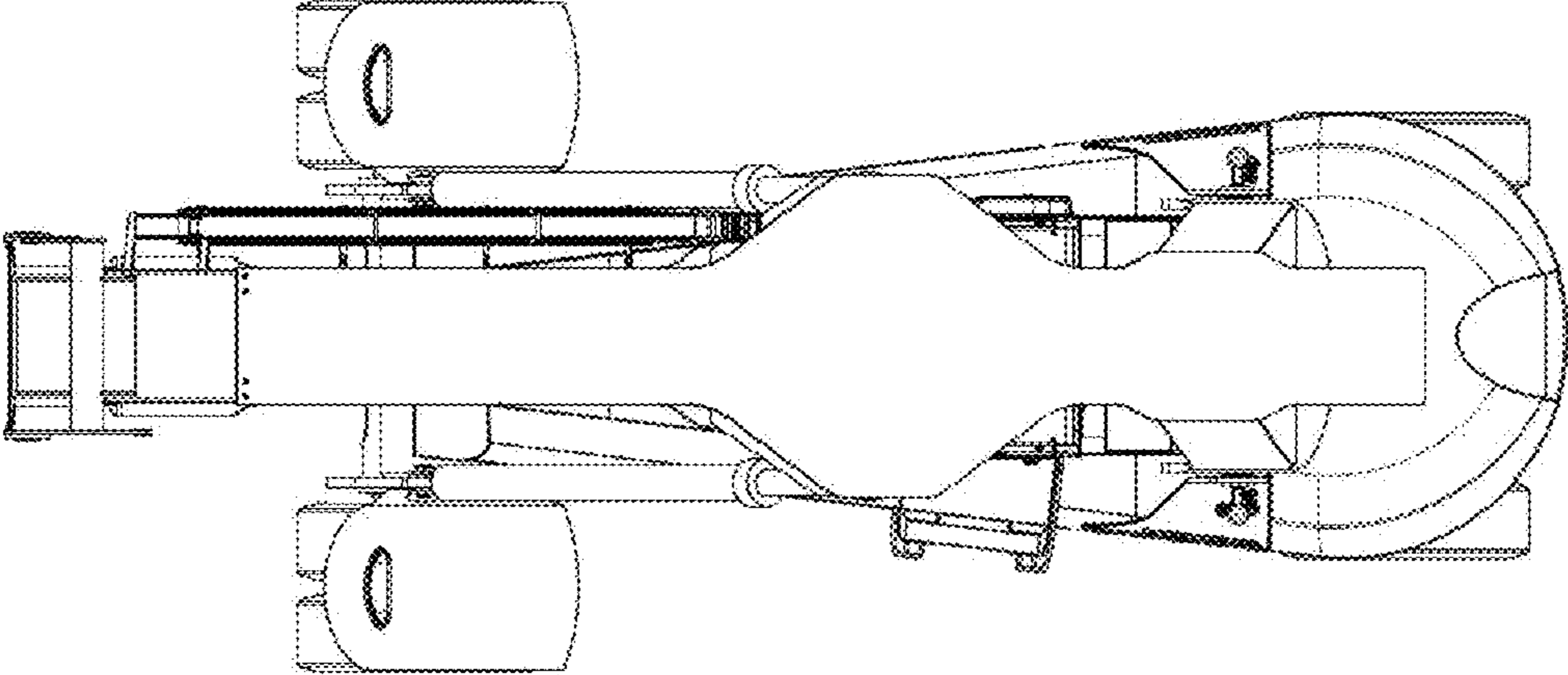


FIG. 5

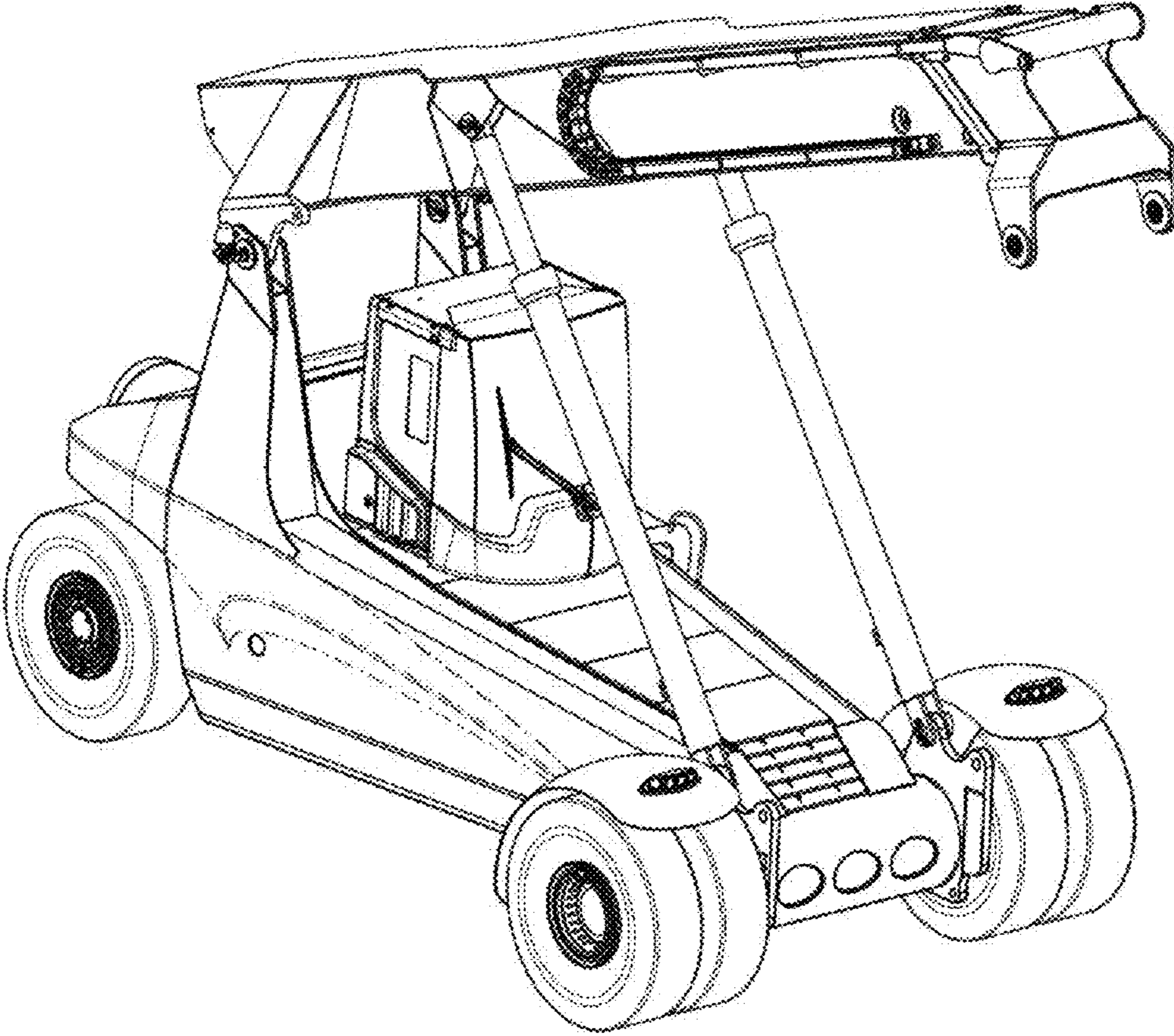


FIG. 6

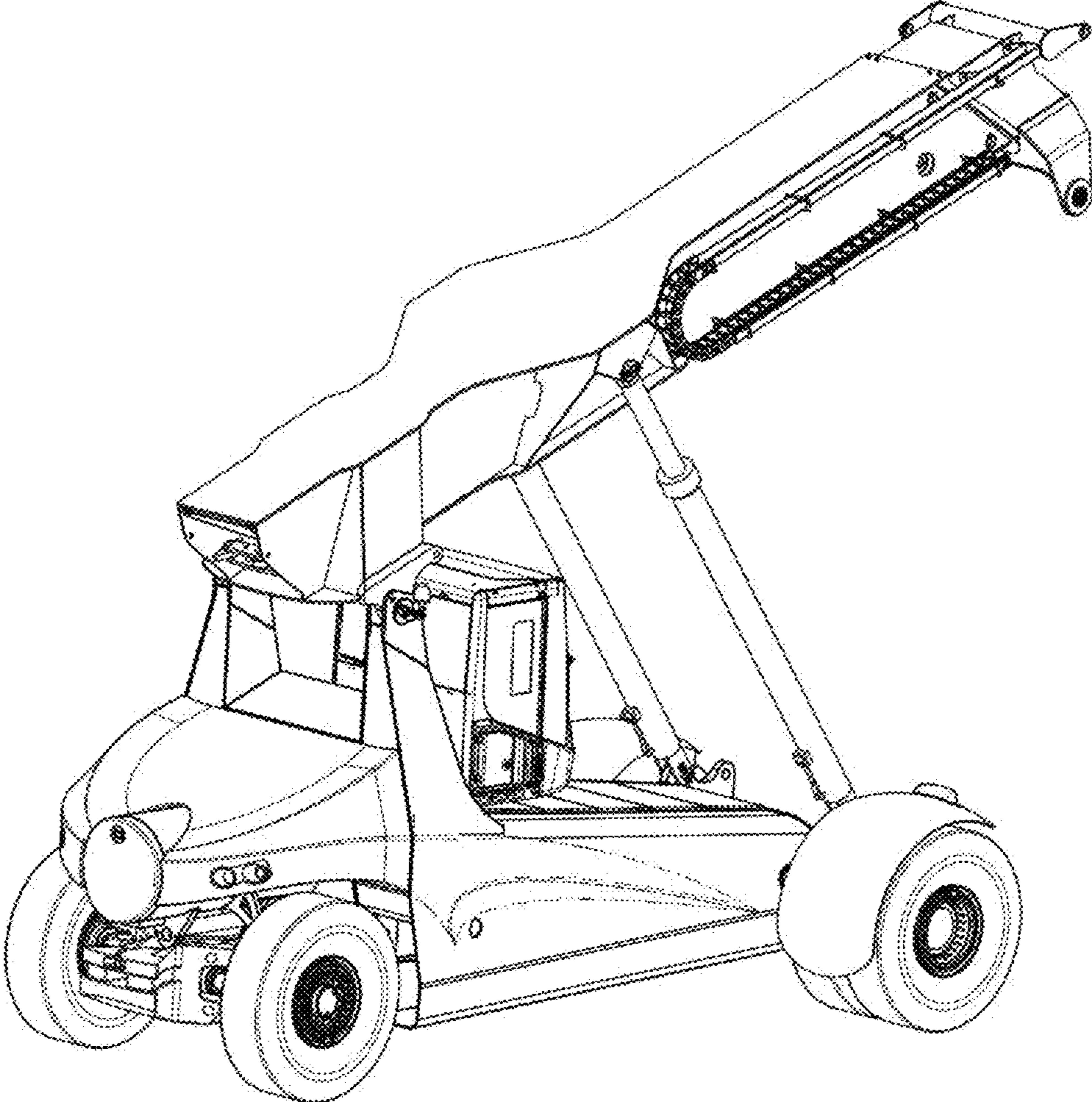


FIG. 7