



US00D756055S

(12) **United States Design Patent**
Michas

(10) **Patent No.:** **US D756,055 S**
(45) **Date of Patent:** **** May 10, 2016**

- (54) **HAND HYDRAULIC FLOOR JACK**
- (71) Applicant: **DELK RESOURCES, INC.**, Nashville, TN (US)
- (72) Inventor: **Luke W. Michas**, Hendersonville, TN (US)
- (73) Assignee: **Delk Resources, Inc.**, Nashville, TN (US)

7,065,827	B2	6/2006	Hsiao	
D531,377	S *	10/2006	Liu	D34/31
D537,225	S *	2/2007	Hernandez	D34/31
D538,502	S *	3/2007	Hernandez	D34/31
D548,922	S *	8/2007	Hernandez	D34/31
D561,422	S *	2/2008	Kuen	D34/31
D563,623	S *	3/2008	Hernandez	D34/31
7,356,877	B2	4/2008	Kim	
7,431,265	B2	10/2008	Yueh	
D582,623	S *	12/2008	Qian	D34/31
D590,121	S *	4/2009	Shen	D34/31

(Continued)

(**) Term: **14 Years**

OTHER PUBLICATIONS

(21) Appl. No.: **29/517,307**

NSX Builder, Garage Mods, blog, United States <http://www.nsxbuilder.com/pages/garage.html>.

(22) Filed: **Feb. 11, 2015**

(Continued)

(51) **LOC (10) Cl.** **12-05**

(52) **U.S. Cl.**
USPC **D34/31**

(58) **Field of Classification Search**
USPC D34/31; 254/2 B, 8 B, 133 R, 93 H, 108, 254/89 H, 126, 1, 89 R, 134, 376, 6 R, 9 B, 254/425, 427, 352, 103, 122, 100, 119, 8 R
CPC B66F 5/00; B66F 7/12; B60S 9/12; B60S 9/06; B60S 9/02; B60S 9/08; B60S 9/22; B60S 9/04; B60S 9/10
See application file for complete search history.

Primary Examiner — Cynthia Ramirez
(74) *Attorney, Agent, or Firm* — Hankin Patent Law, APC; Kevin Schraven; Jimmy Sauz

(57) **CLAIM**
The ornamental design for hand hydraulic floor jack, as shown and described.

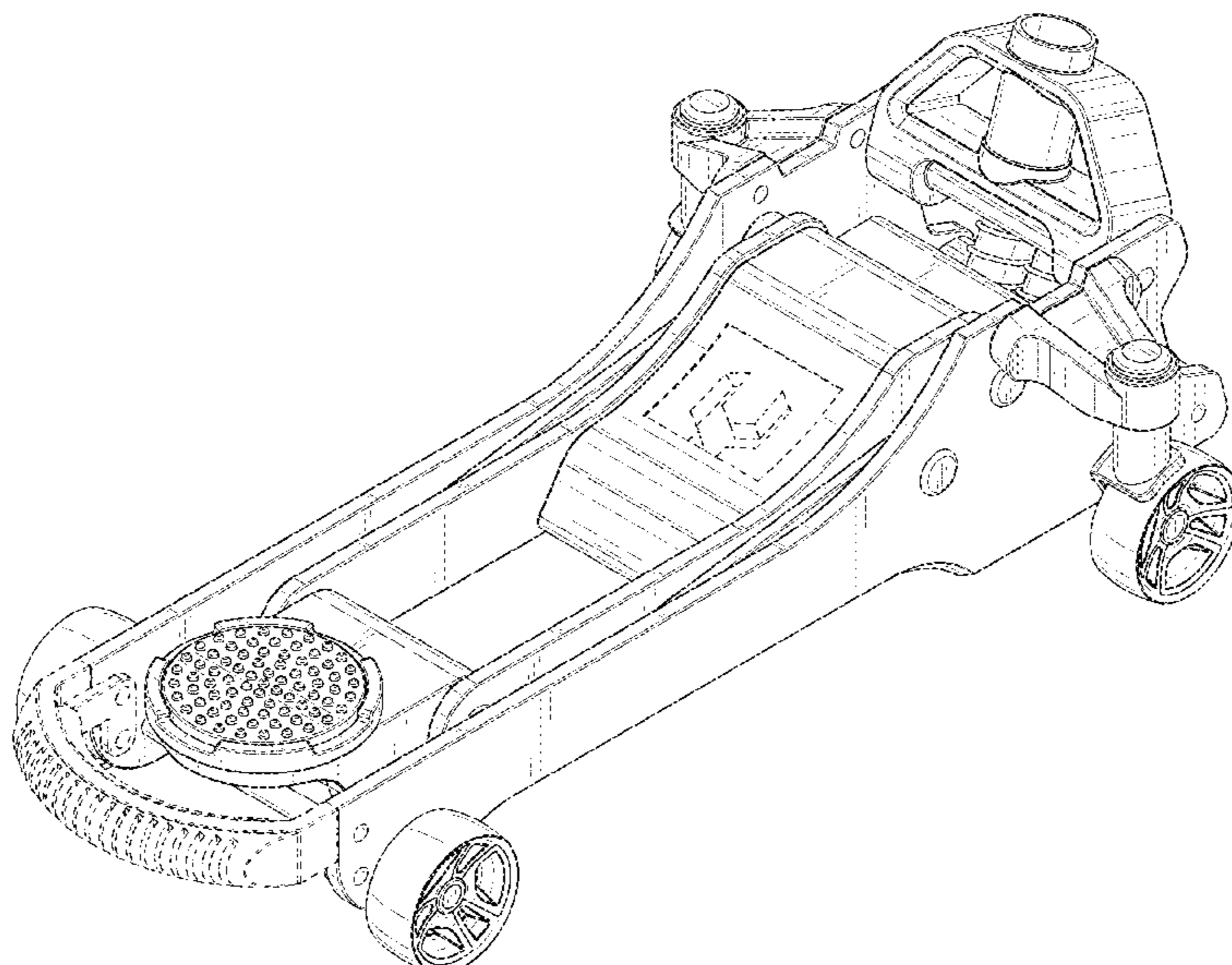
DESCRIPTION

FIG. 1 is a top perspective view of the hand hydraulic floor jack, showing my new design.
FIG. 2 is a front elevational view thereof.
FIG. 3 is a rear elevational view thereof.
FIG. 4 is a right side elevational view thereof.
FIG. 5 is a left side elevational view thereof.
FIG. 6 is a top plan view thereof; and,
FIG. 7 is a bottom plan view thereof.
The broken lines are for the purpose of illustrating environmental structure and unclaimed subject matter and form no part of the claimed design.

(56) **References Cited**
U.S. PATENT DOCUMENTS

2,594,270	A	4/1952	Niederhauser	
2,891,764	A	6/1959	Pearne	
5,347,680	A	9/1994	Rippe	
D388,926	S *	1/1998	Sorensen	D34/31
5,873,145	A	2/1999	Chou	
5,967,535	A	10/1999	King	
D421,516	S *	3/2000	Hung	D34/31
D425,282	S *	5/2000	Sorensen	D34/31
6,539,578	B1	4/2003	Guttman et al.	
6,789,810	B2	9/2004	Strong	

1 Claim, 6 Drawing Sheets



(56)

References Cited

U.S. PATENT DOCUMENTS

D625,073	S	*	10/2010	Hernandez	D34/31
D628,760	S	*	12/2010	Fox	D34/31
7,845,614	B2		12/2010	Liu		
D688,845	S	*	8/2013	Hernandez	D34/31
8,608,131	B2		12/2013	Kania		
8,740,190	B2		6/2014	Tijerina		
D730,612	S	*	5/2015	James	D34/31
D737,537	S	*	8/2015	Arzouman	D34/31

OTHER PUBLICATIONS

Pirate4x4.com, Off Road Floor Jack Build, Web Forum, Jul. 13, 2013, United States <http://www.pirate4x4.com/forum/shop-tools/1370265-off-road-floor-jack-build.html>.

Amazon, Arcan ALJ3T Aluminum Floor Jack—3 Ton Capacity, Catalog, United States <http://www.amazon.com/Arcan-ALJ3T-Aluminum-Floor-Jack/dp/B0047D2FWM>.

ESCO, Equipment Supply Company :: High Tonnage Jacks :: 10326, Jack 70 Ton Pneumatic Wheels, Catalog, United States <http://www.esco.net/tire-changing-equipment/product.php?productid=214&cat=8&page=2>.

ICW Industrial Caster & Wheel, Polyurethane, Catalog, United States <http://www.industrialcasterandwheel.com/wheel-types/polyurethane-wheels.htm>.

The Garage Journal, Floor Jack Use on Epoxy Floor, Forums, Sep. 5, 2011, United States <http://www.garagejournal.com/forum/showthread.php?t=116126>.

Casterland, Pallet Jack Bearings, Catalog, United States <http://www.casterland.com/Products/Handling-Equipment/Pallet-Jack-Wheels.html>.

* cited by examiner

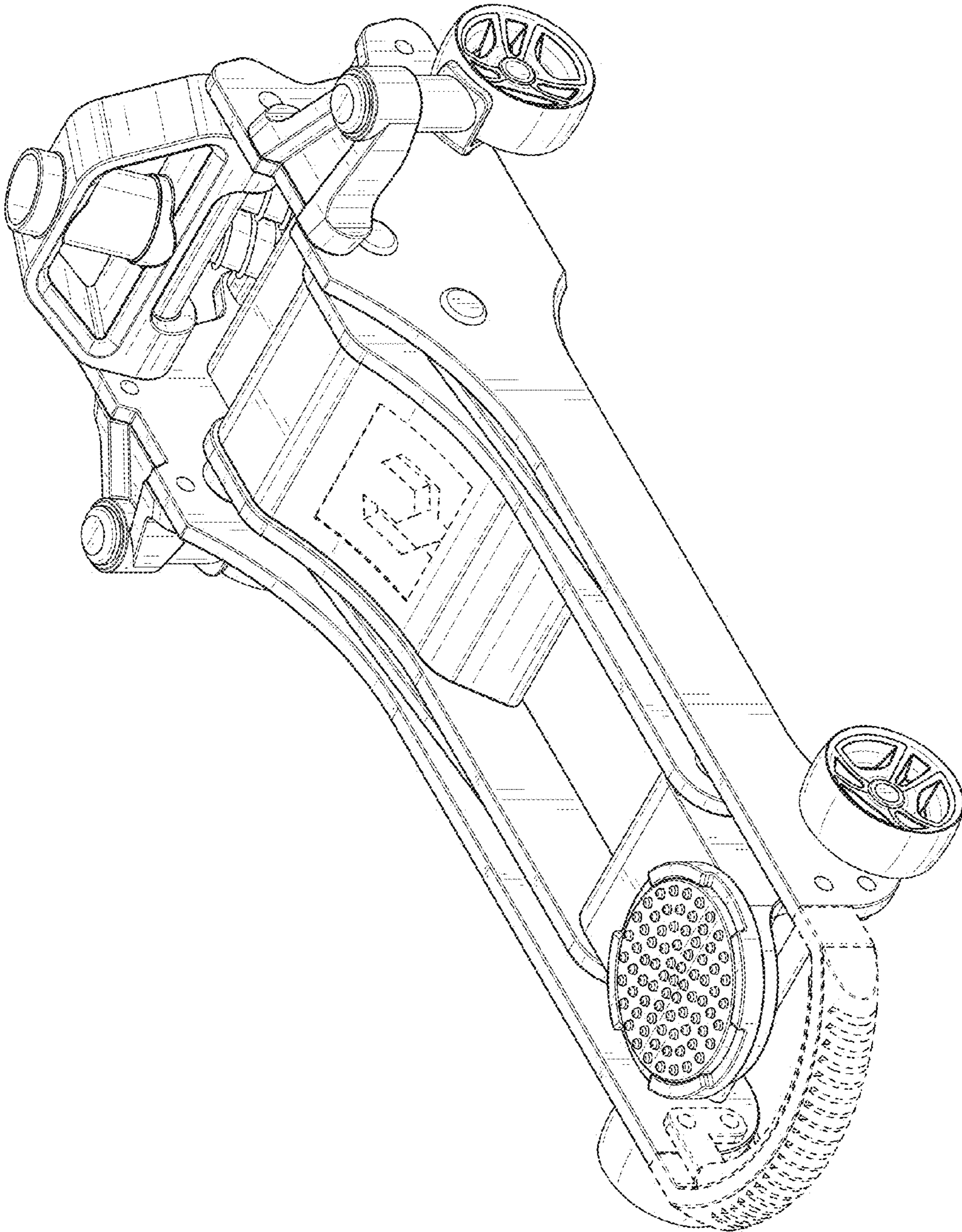


FIG. 1

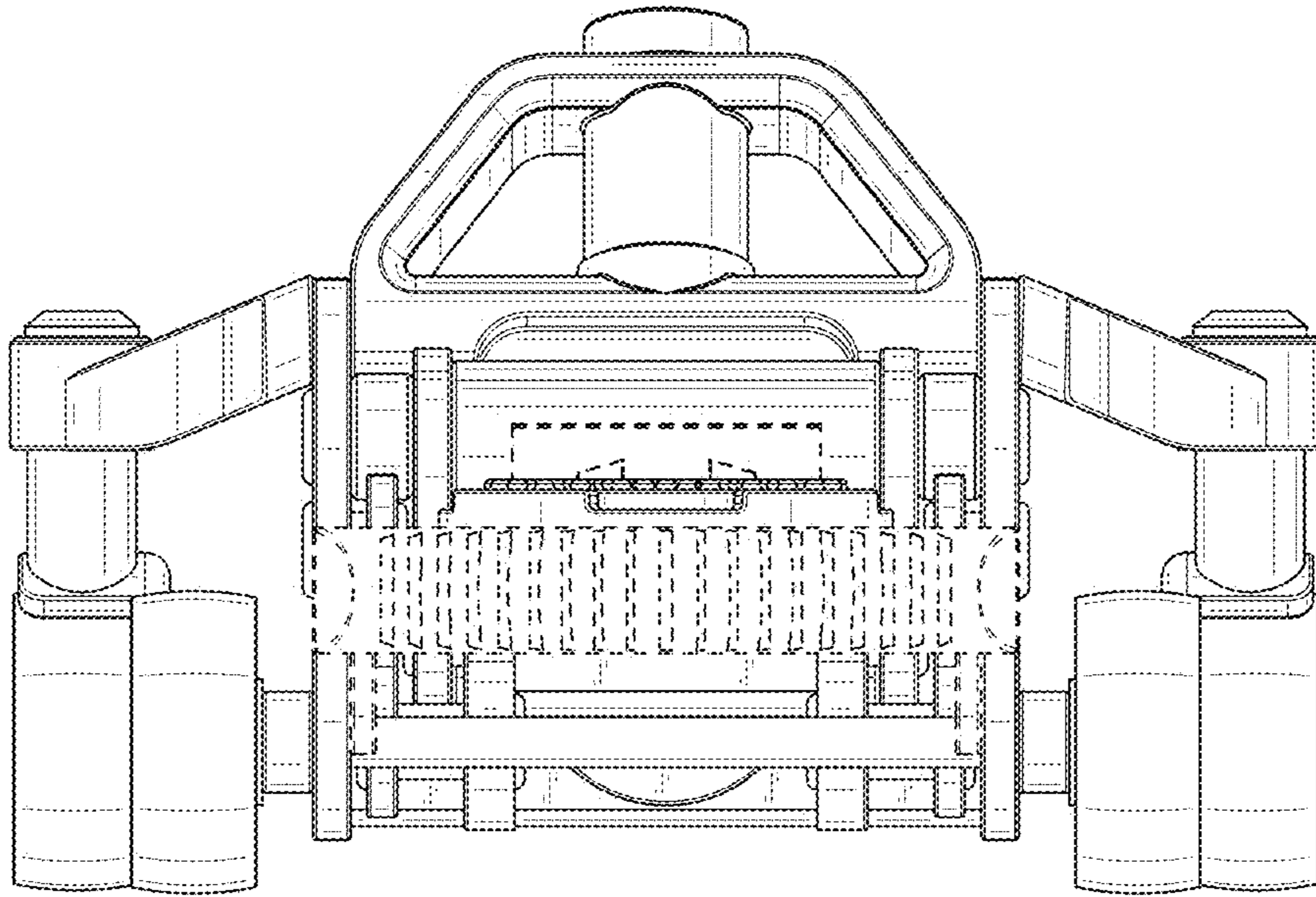


FIG. 2

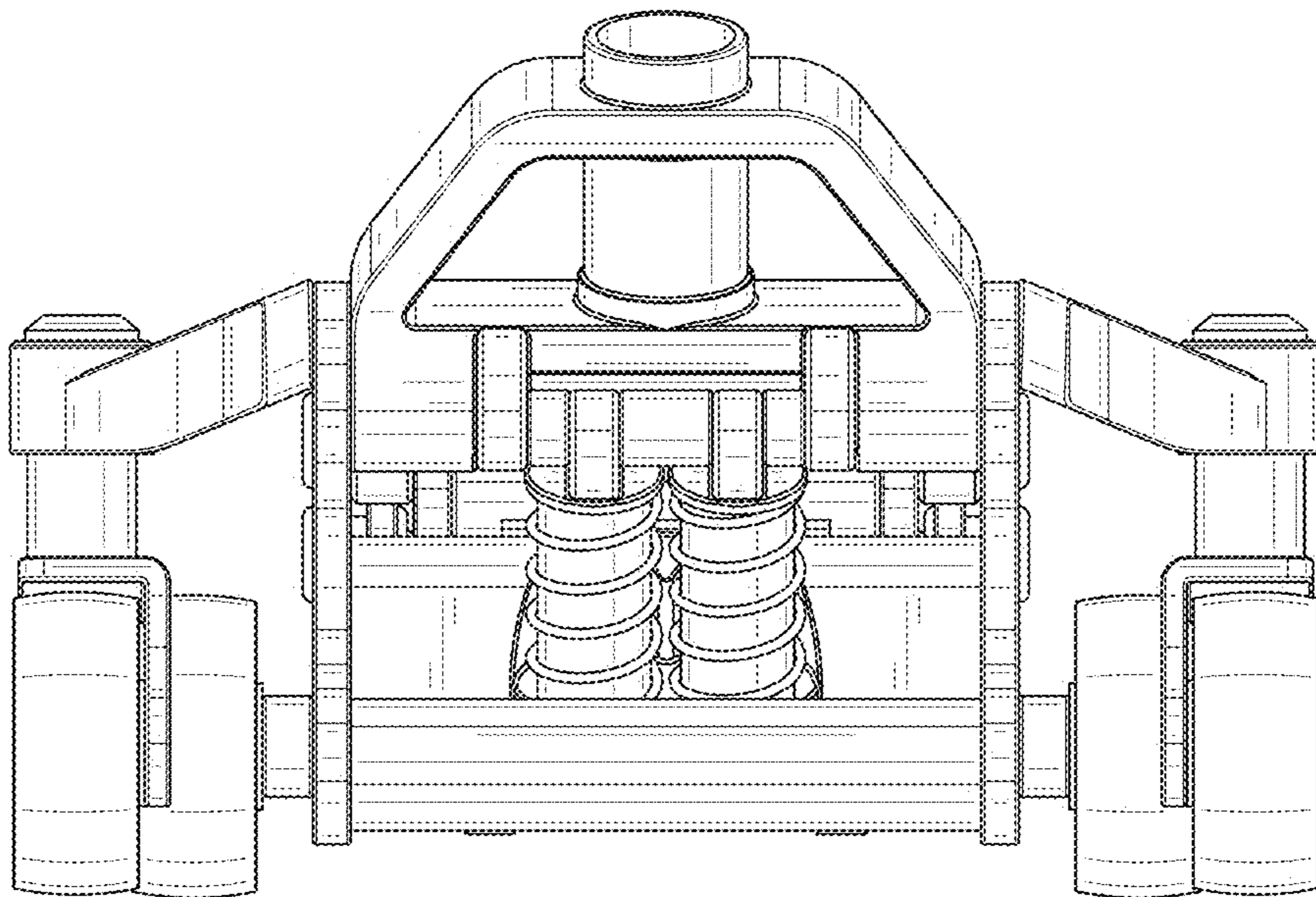


FIG. 3

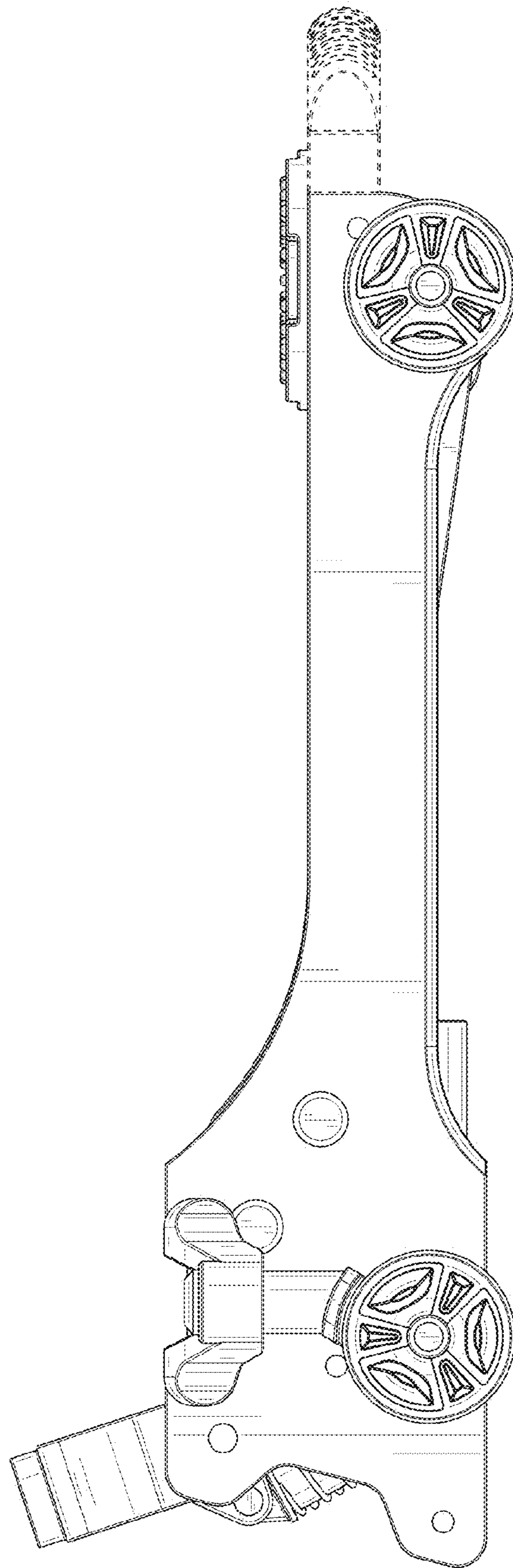


FIG. 4

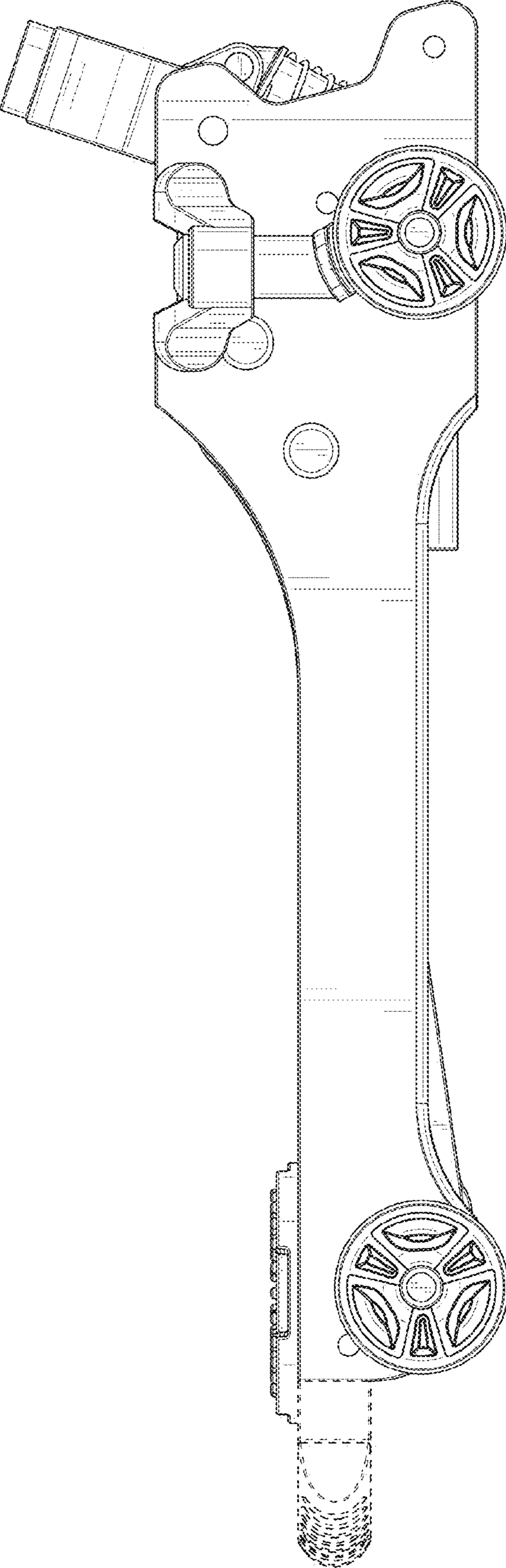


FIG. 5

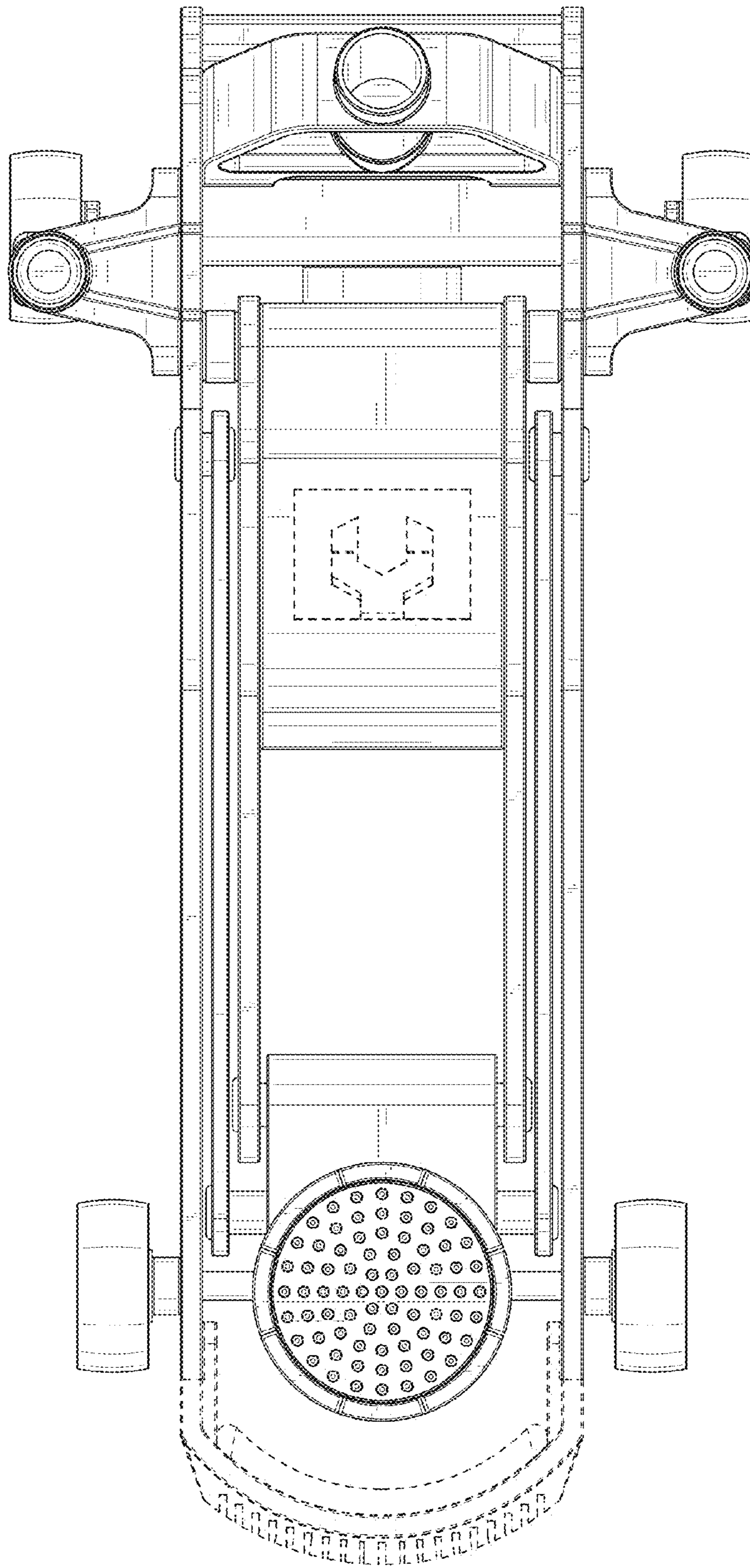


FIG. 6

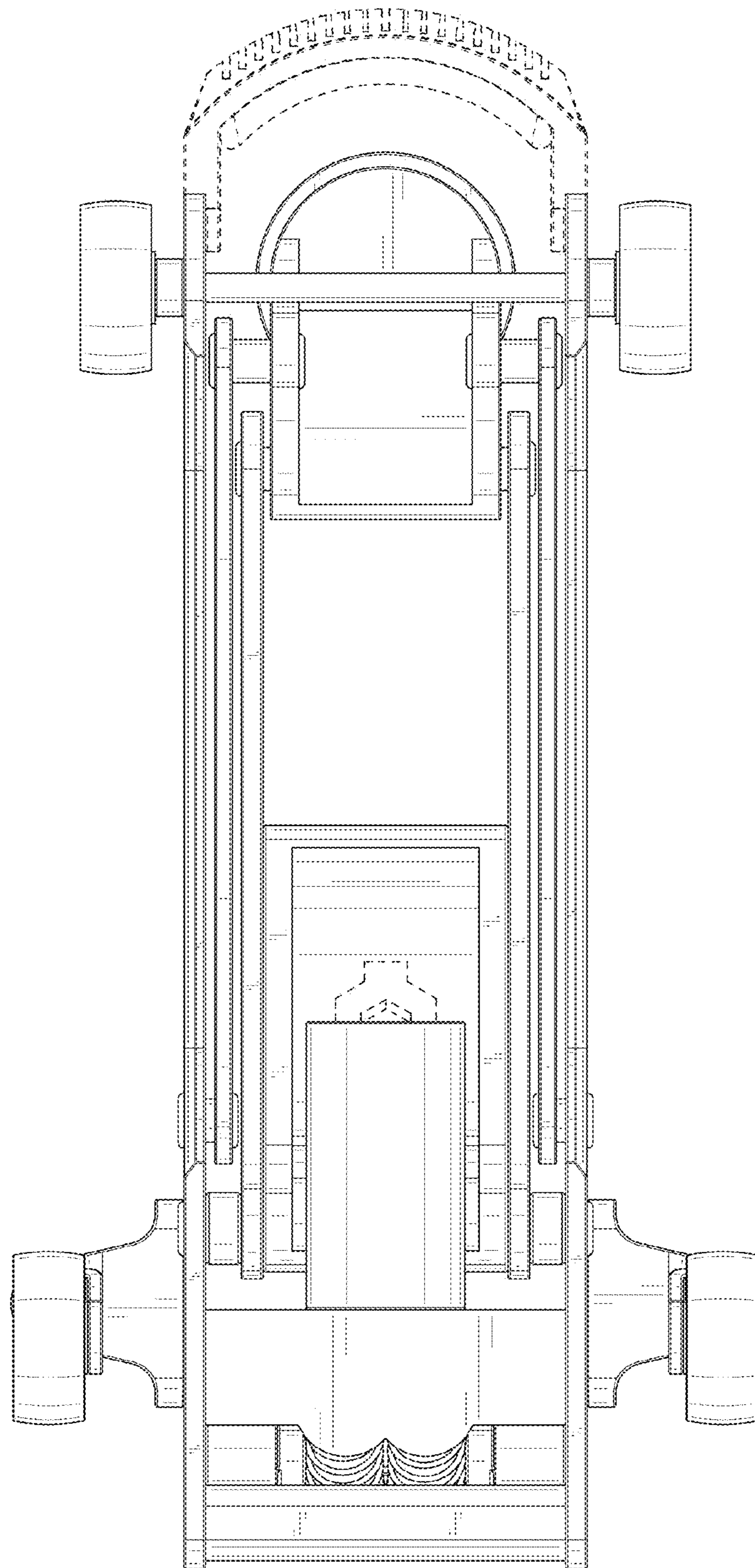


FIG. 7