



US00D756054S

(12) **United States Design Patent**
Hirai et al.

(10) **Patent No.:** **US D756,054 S**
(45) **Date of Patent:** **** May 10, 2016**

(54) **TRANSFERRING MACHINE FOR CAREGIVING**

Primary Examiner — Cynthia Ramirez
(74) *Attorney, Agent, or Firm* — Mori & Ward, LLP

(71) Applicant: **KABUSHIKI KAISHA YASKAWA DENKI**, Kitakyushu-shi (JP)

(57) **CLAIM**
The ornamental design for a transferring machine for caregiving, as shown and described.

(72) Inventors: **Kenichiro Hirai**, Fukuoka (JP);
Takayuki Kawano, Fukuoka (JP);
Tomoyuki Kanomata, Fukuoka (JP);
Kenshun Ishii, Tokyo (JP); **Yuta Fukuda**, Tokyo (JP)

DESCRIPTION

(73) Assignee: **KABUSHIKI KAISHA YASKAWA DENKI**, Kitakyushu-Shi (JP)

FIG. 1 is a front view of a transferring machine for caregiving of the present invention;
FIG. 2 is a rear view of the transferring machine for caregiving of FIG. 1;
FIG. 3 is a top plan view of the transferring machine for caregiving of FIG. 1;
FIG. 4 is a bottom view of the transferring machine for caregiving of FIG. 1;
FIG. 5 is a right side view of the transferring machine for caregiving of FIG. 1;
FIG. 6 is a left side view of the transferring machine for caregiving of FIG. 1;
FIG. 7 is a front perspective view of the transferring machine for caregiving of FIG. 1;
FIG. 8 is a rear perspective view of the transferring machine for caregiving of FIG. 1;
FIG. 9 is an enlarged partial view of the transferring machine for caregiving of FIG. 1 with the partial view defined by lines 1-1 and 2-2 shown in FIG. 6;
FIG. 10 is a left side view of the transferring machine for caregiving of FIG. 1 with the header elevated;
FIG. 11 is a front perspective view of the transferring machine for caregiving of FIG. 1 with the header elevated;
FIG. 12 is a front view wherein the foot bar is set to the middle position of the transferring machine for caregiving of FIG. 1;
FIG. 13 is a front view wherein the foot bar is set to the lower position of the transferring machine for caregiving of FIG. 1;
FIG. 14 is a first perspective view of the transferring machine for caregiving of FIG. 1, in use; and,
FIG. 15 is a second perspective view of the transferring machine for caregiving of FIG. 1, in use.
The features shown in broken lines depict environmental subject matter only and form no part of the claimed design.

(**) Term: **14 Years**

(21) Appl. No.: **29/518,100**

(22) Filed: **Feb. 19, 2015**

(30) **Foreign Application Priority Data**

Sep. 19, 2014 (JP) 2014-020802

(51) **LOC (10) Cl.** **12-05**

(52) **U.S. Cl.**
USPC **D34/28**

(58) **Field of Classification Search**
USPC D34/28; 5/81 R, 81 B, 83, 84, 88, 89,
5/81.1, 83.1, 87.1, 81.1 R, 89.1; D12/406,
D12/408; 254/9 C, 9 B, 122, 2 B, 90
CPC . A61G 7/1046; A61G 7/1019; A61G 7/1017;
A61G 7/1015; A61G 7/1036; A61G 7/10
See application file for complete search history.

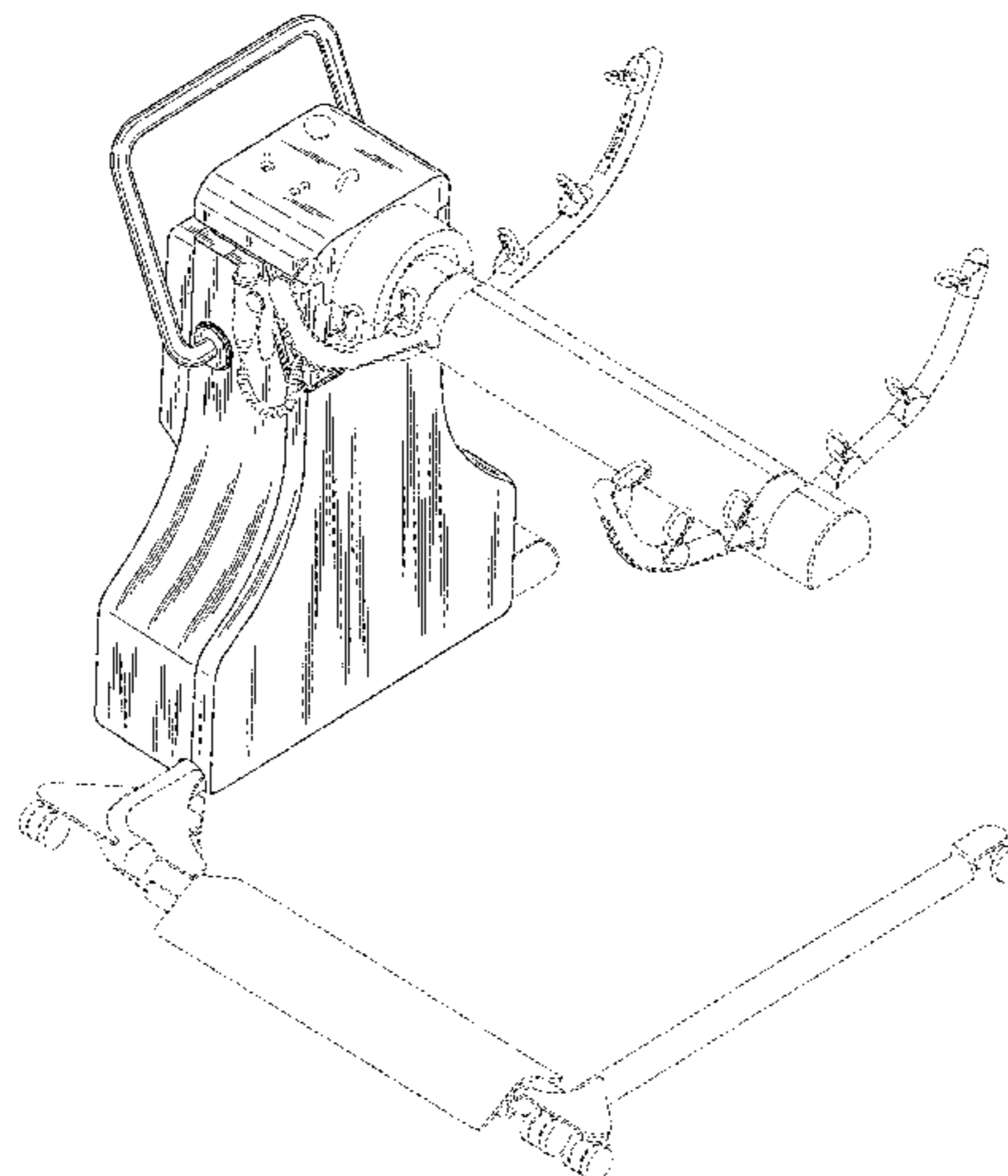
(56) **References Cited**

U.S. PATENT DOCUMENTS

3,394,933 A * 7/1968 Benoit A61G 7/1019
254/4 R
4,682,377 A * 7/1987 Reich A61G 7/1017
5/83.1

(Continued)

1 Claim, 15 Drawing Sheets



(56)

References Cited

U.S. PATENT DOCUMENTS

4,712,257 A * 12/1987 James A61G 7/1017
5/83.1
D327,763 S * 7/1992 Silbersky D34/28
D355,293 S * 2/1995 Parker D34/28
D375,603 S * 11/1996 Carver D34/28
D376,886 S * 12/1996 Dunn D34/28
6,175,973 B1 * 1/2001 Hakamiun A61G 7/1017
5/86.1

6,289,534 B1 * 9/2001 Hakamiun A61G 7/1017
5/83.1
D451,658 S * 12/2001 Czemerer D34/28
D454,998 S * 3/2002 Czemerer D34/28
D744,714 S * 12/2015 Yamanaka D34/28
D745,239 S * 12/2015 Yamanaka D34/28
D745,240 S * 12/2015 Yamanaka D34/28
2014/0137323 A1 * 5/2014 Fernie A61G 7/1019
5/83.1

* cited by examiner

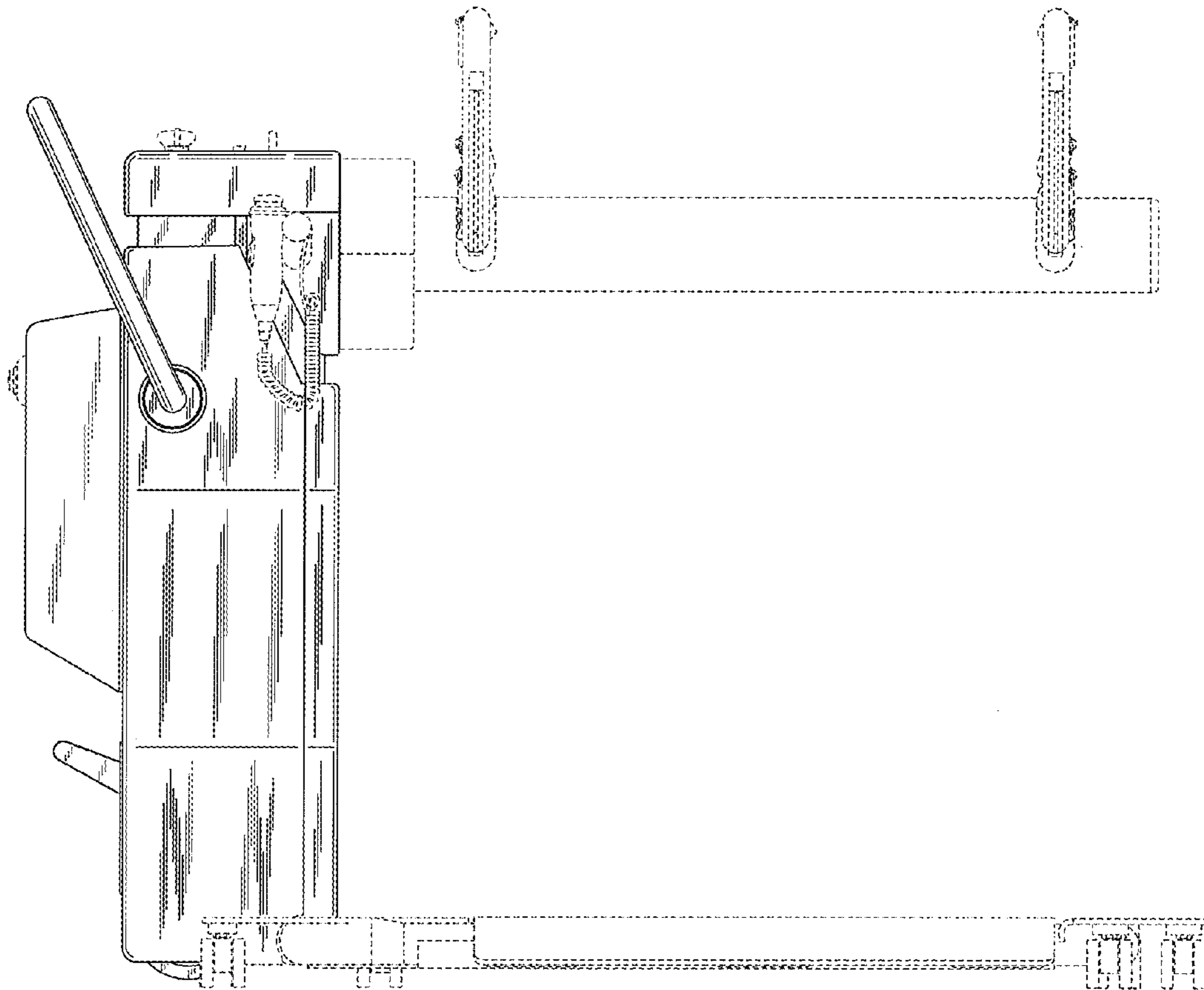


FIG. 1

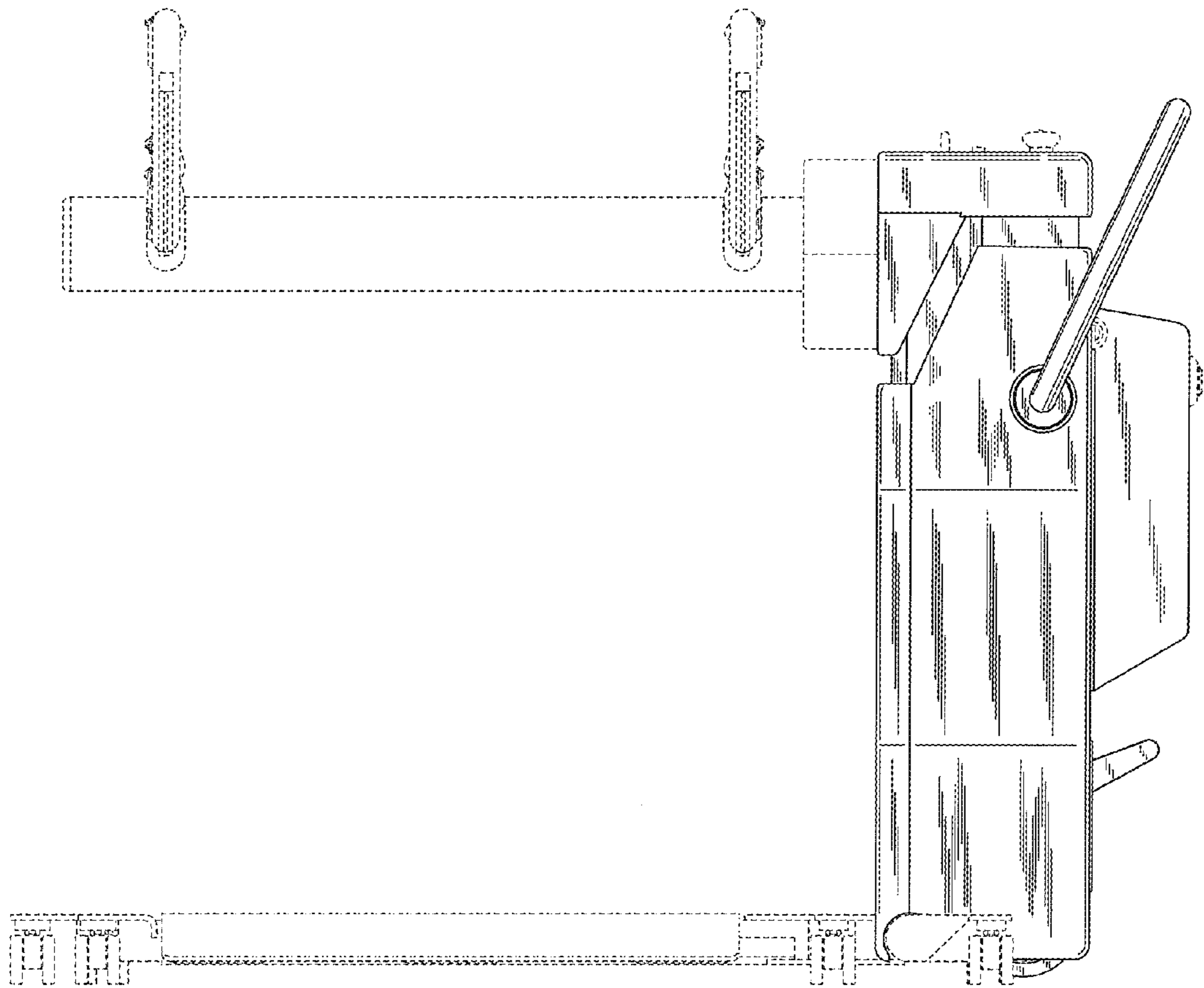


FIG. 2

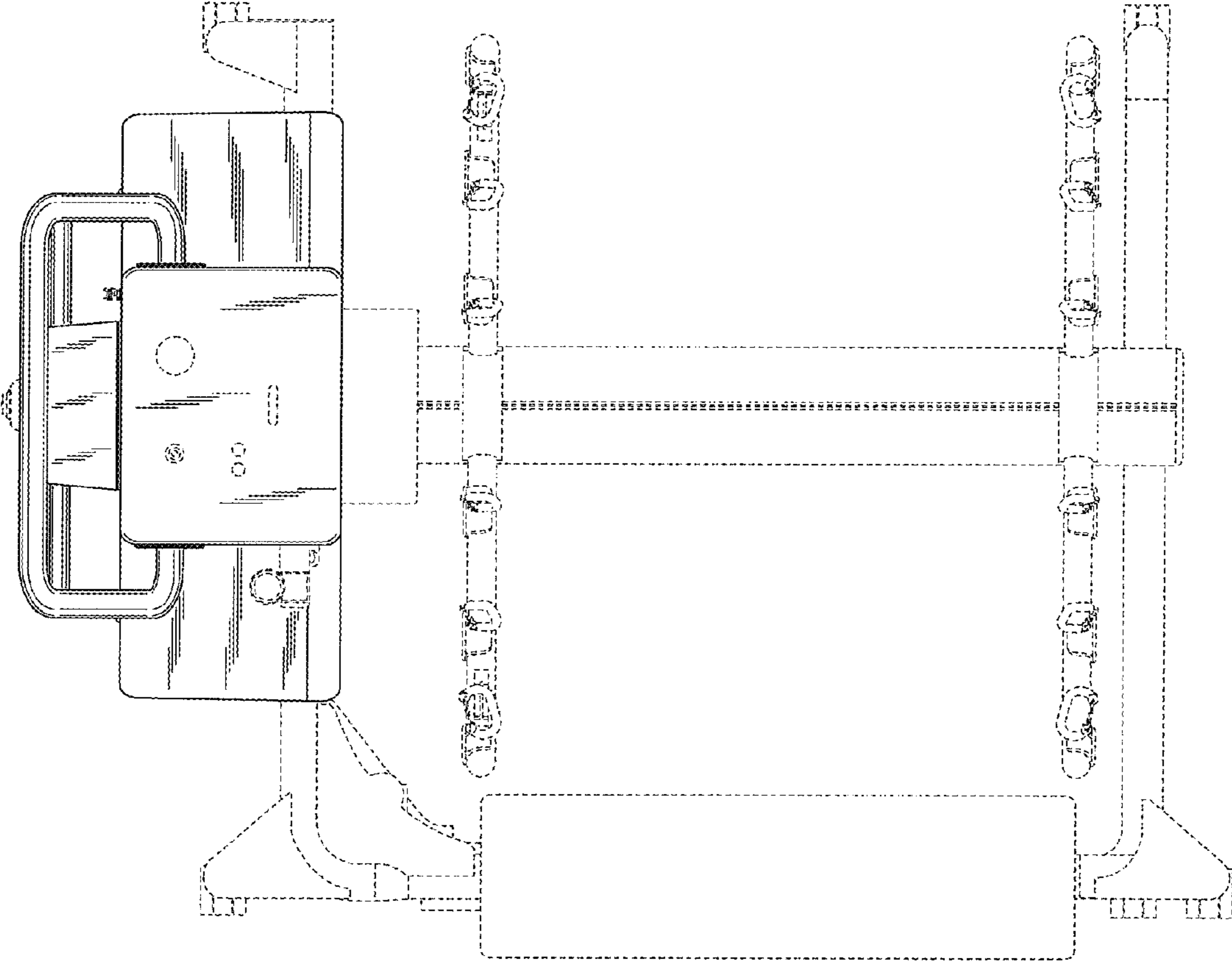


FIG. 3

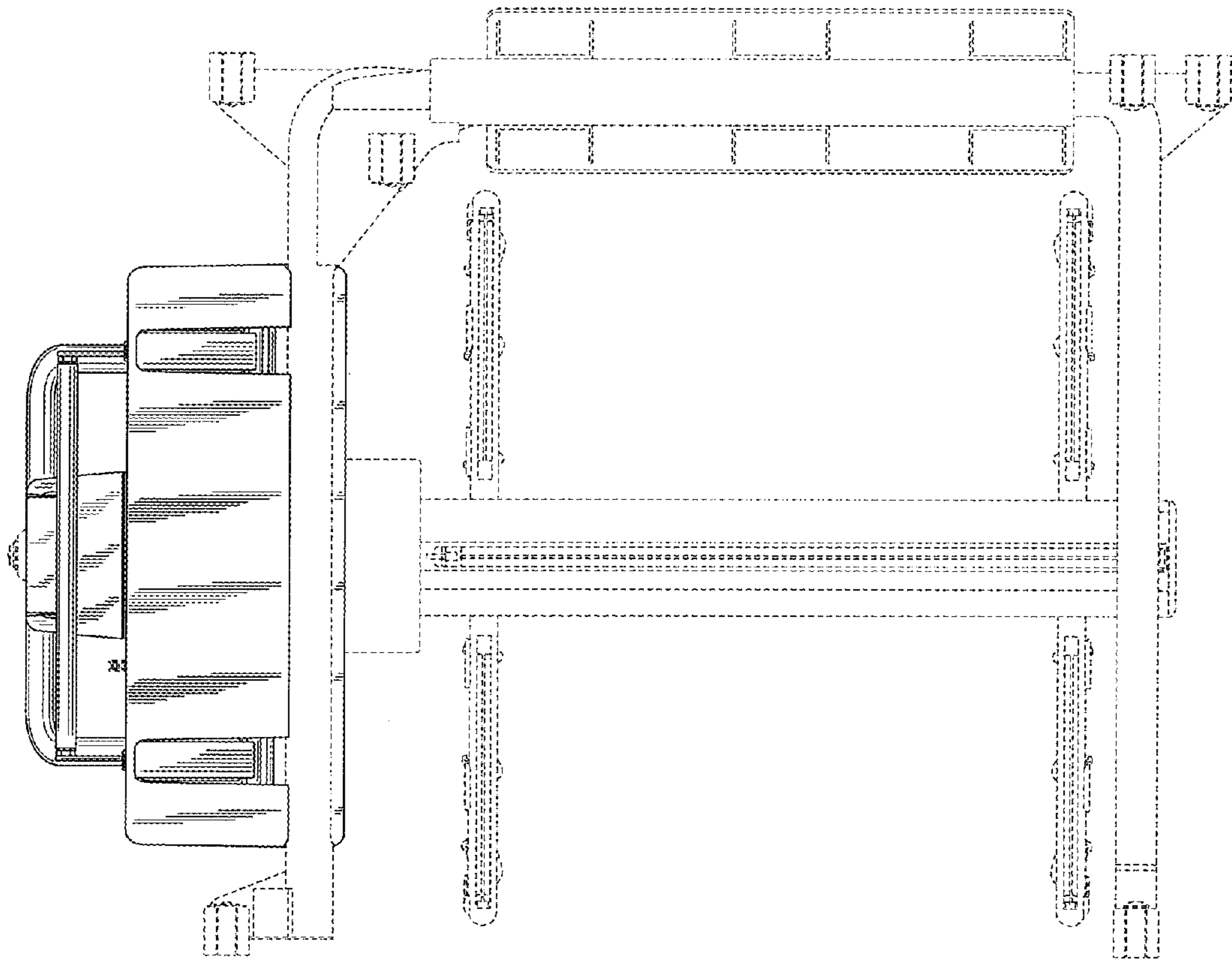


FIG. 4

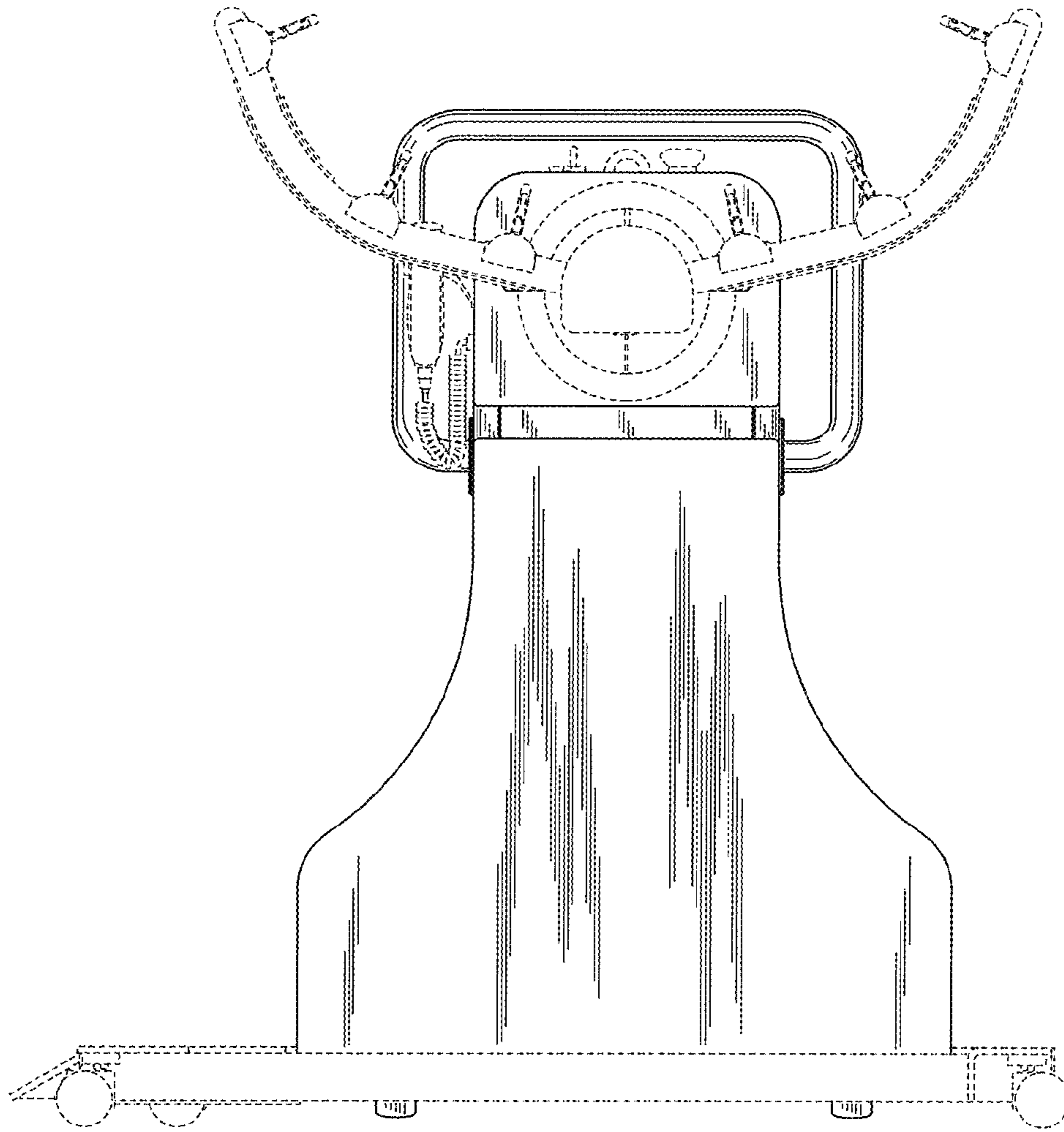


FIG. 5

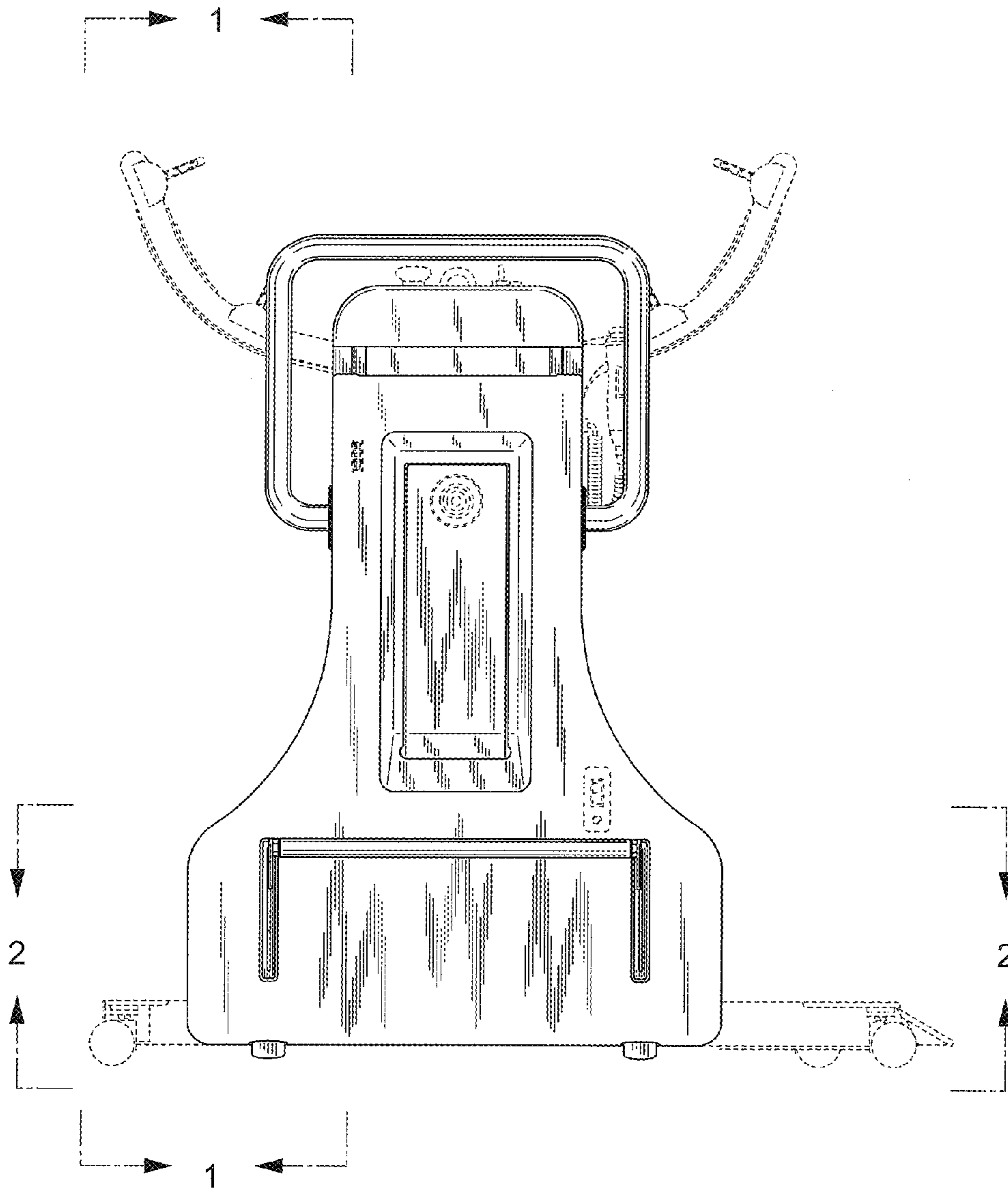


FIG. 6

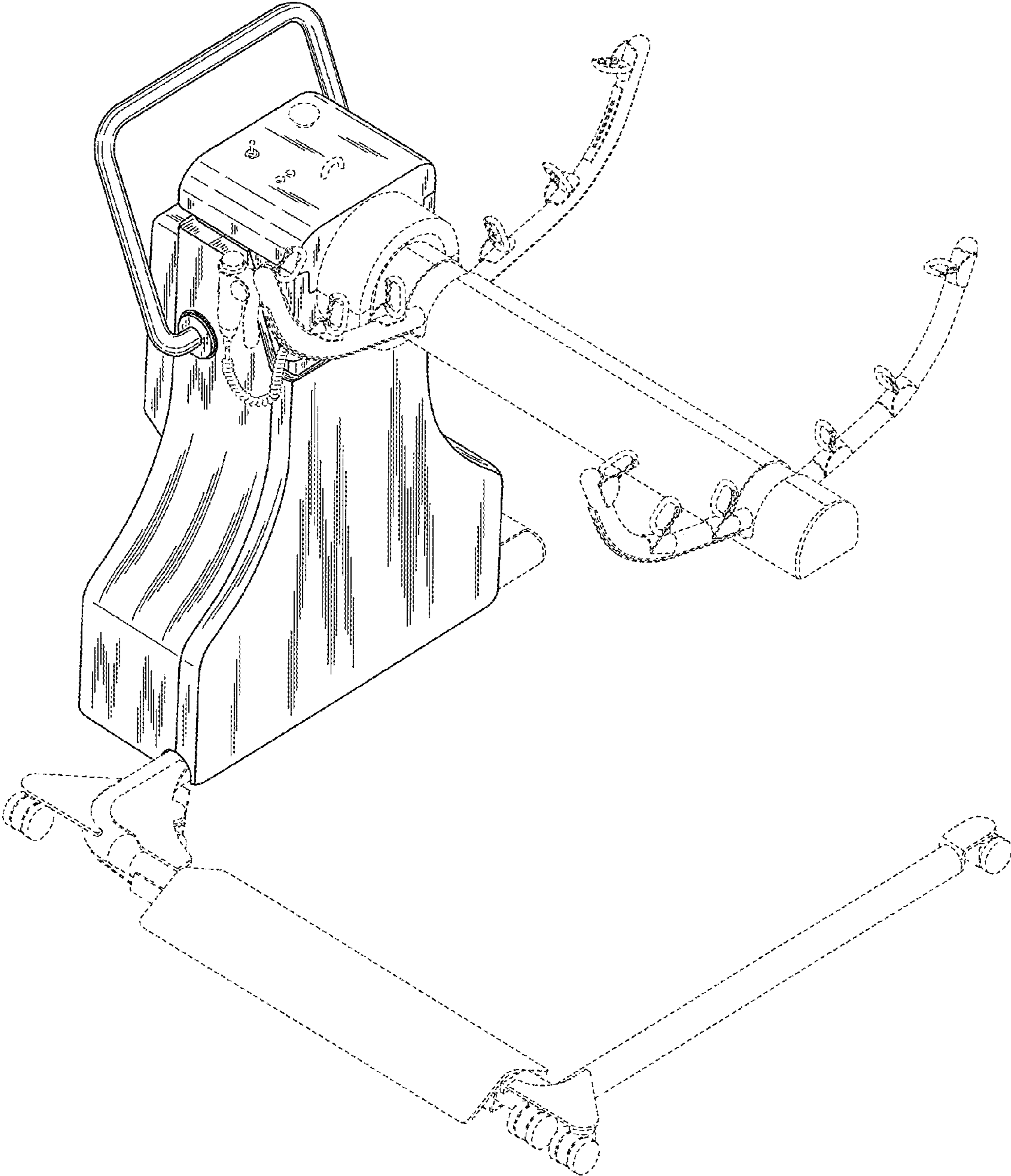


FIG. 7

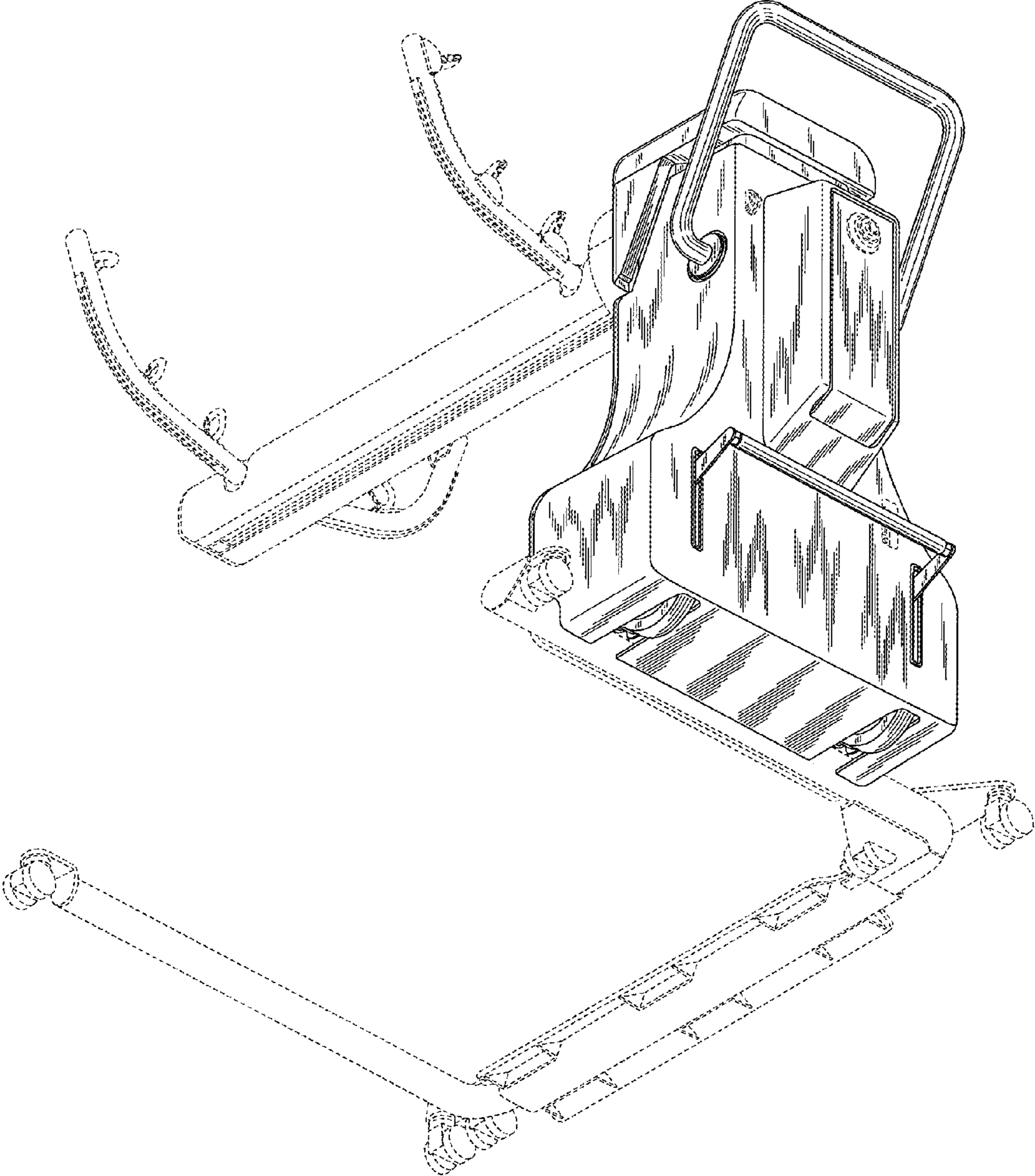


FIG. 8

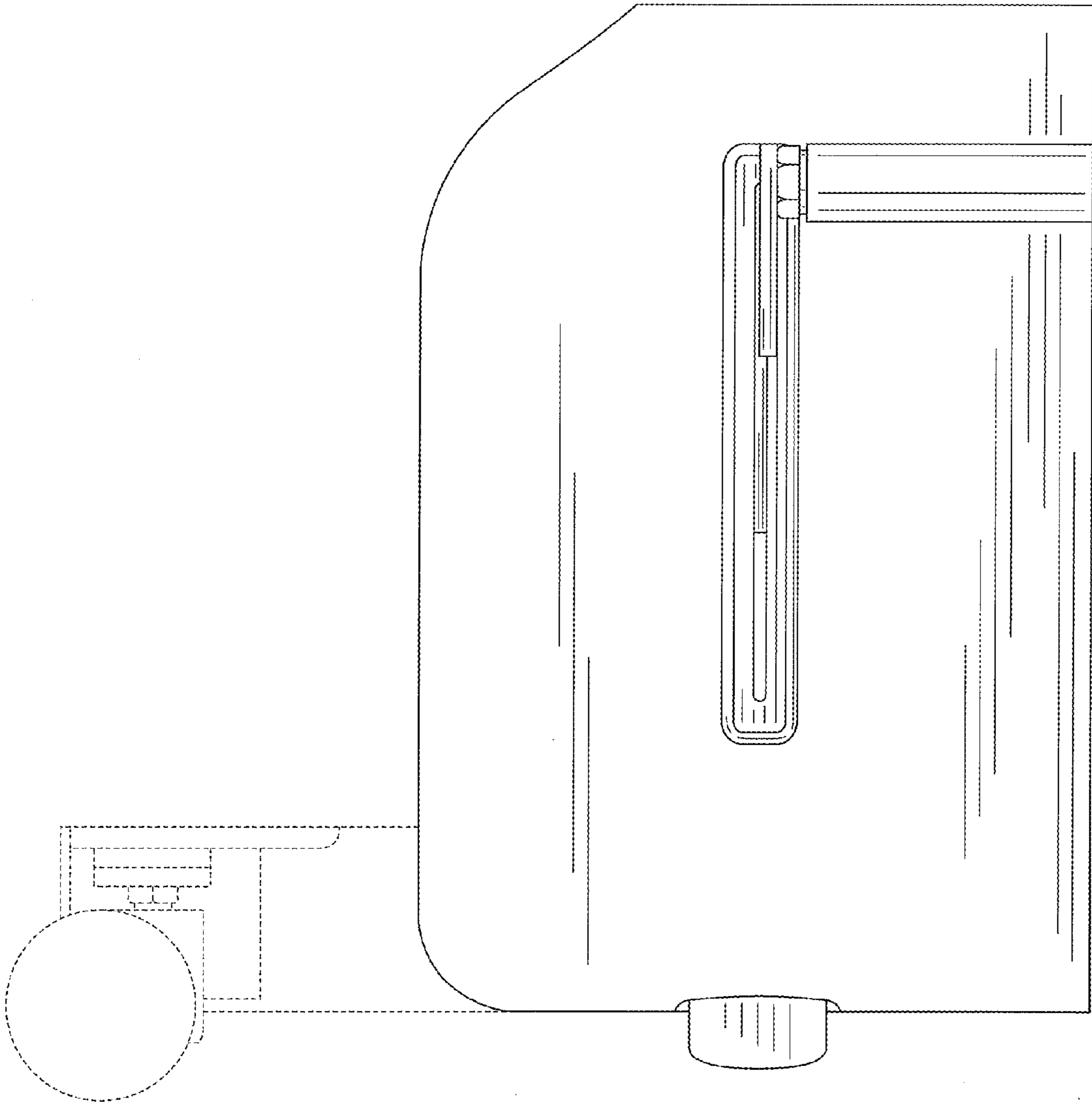


FIG. 9

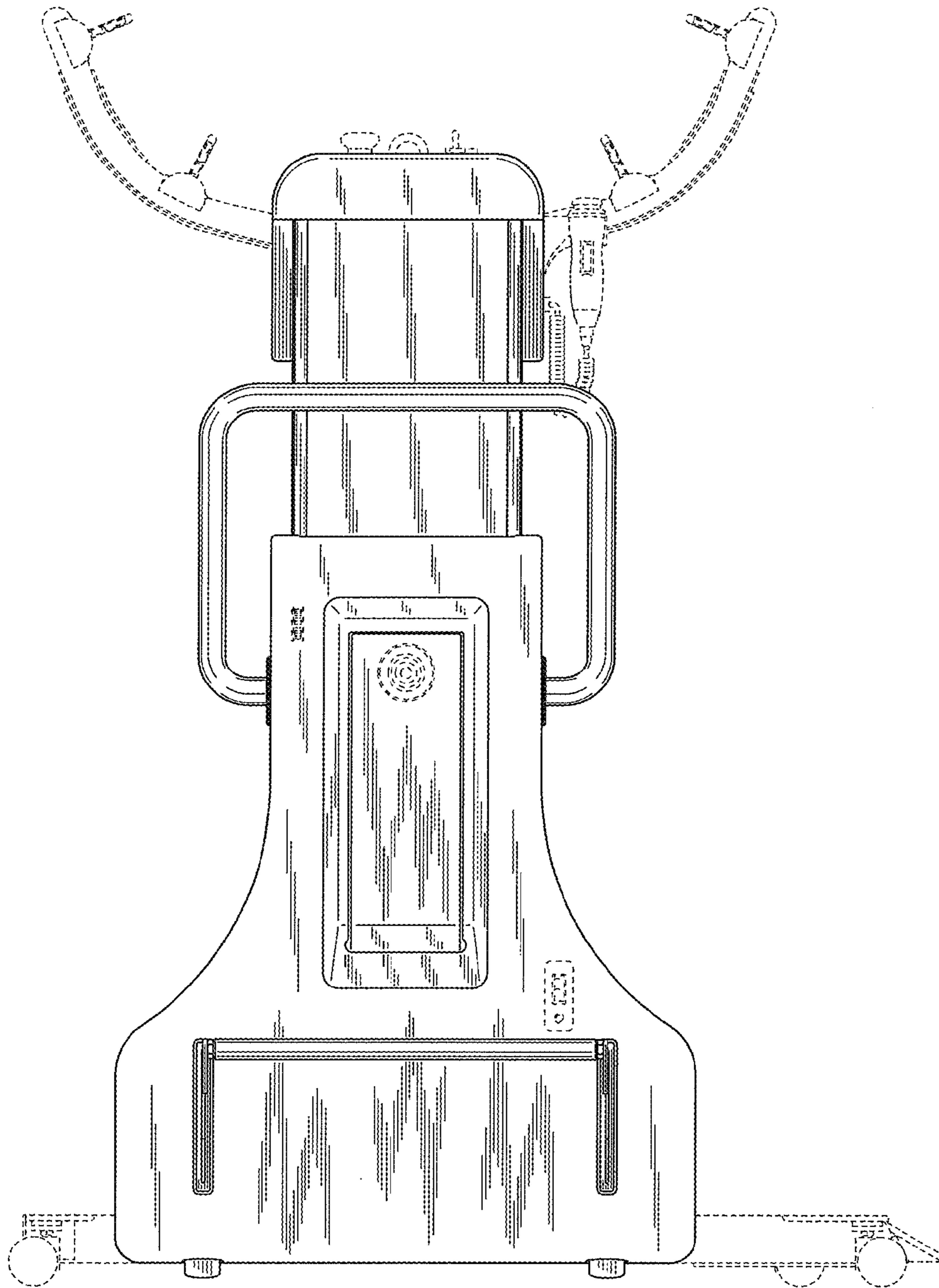


FIG. 10

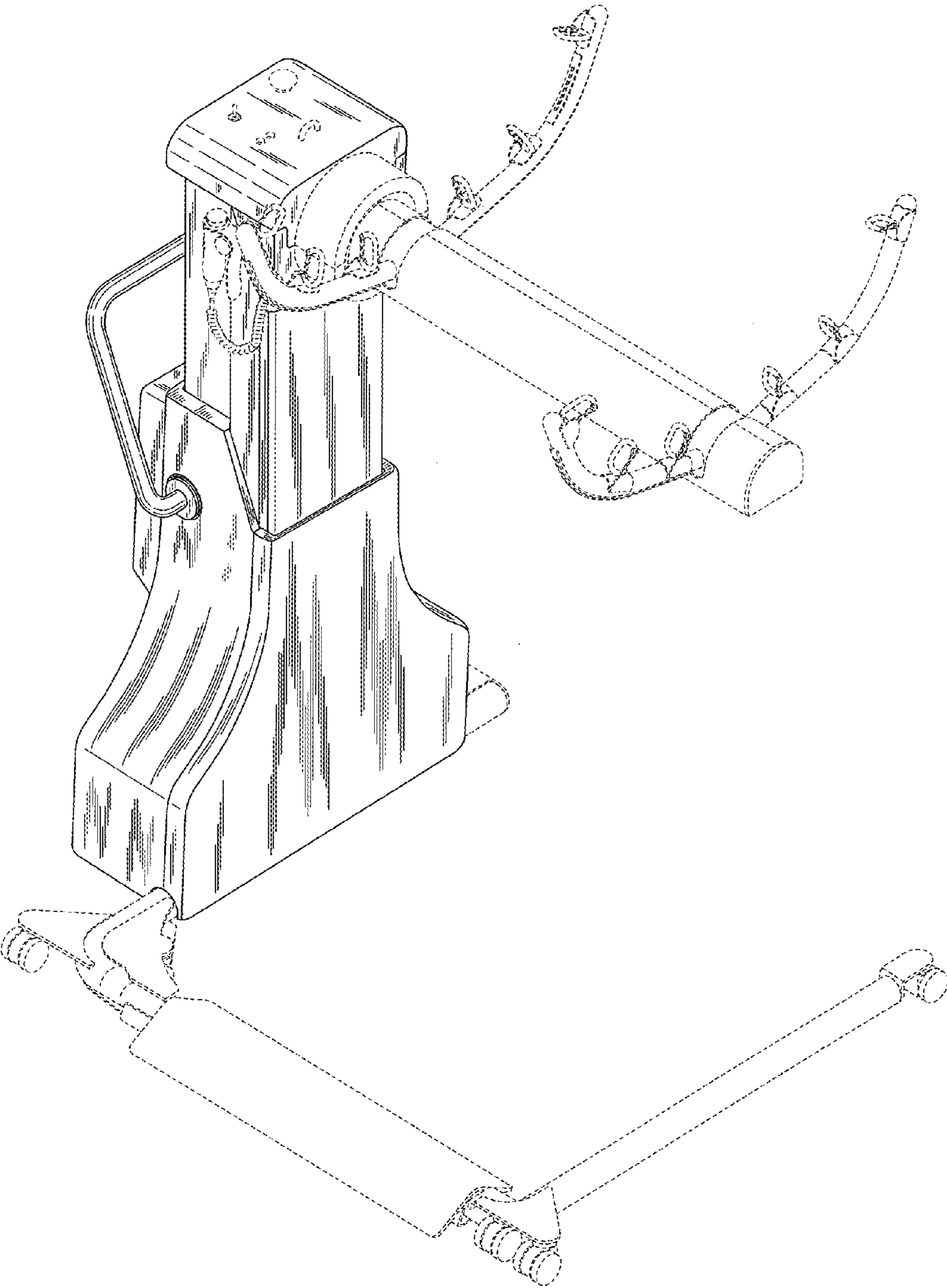


FIG. 11

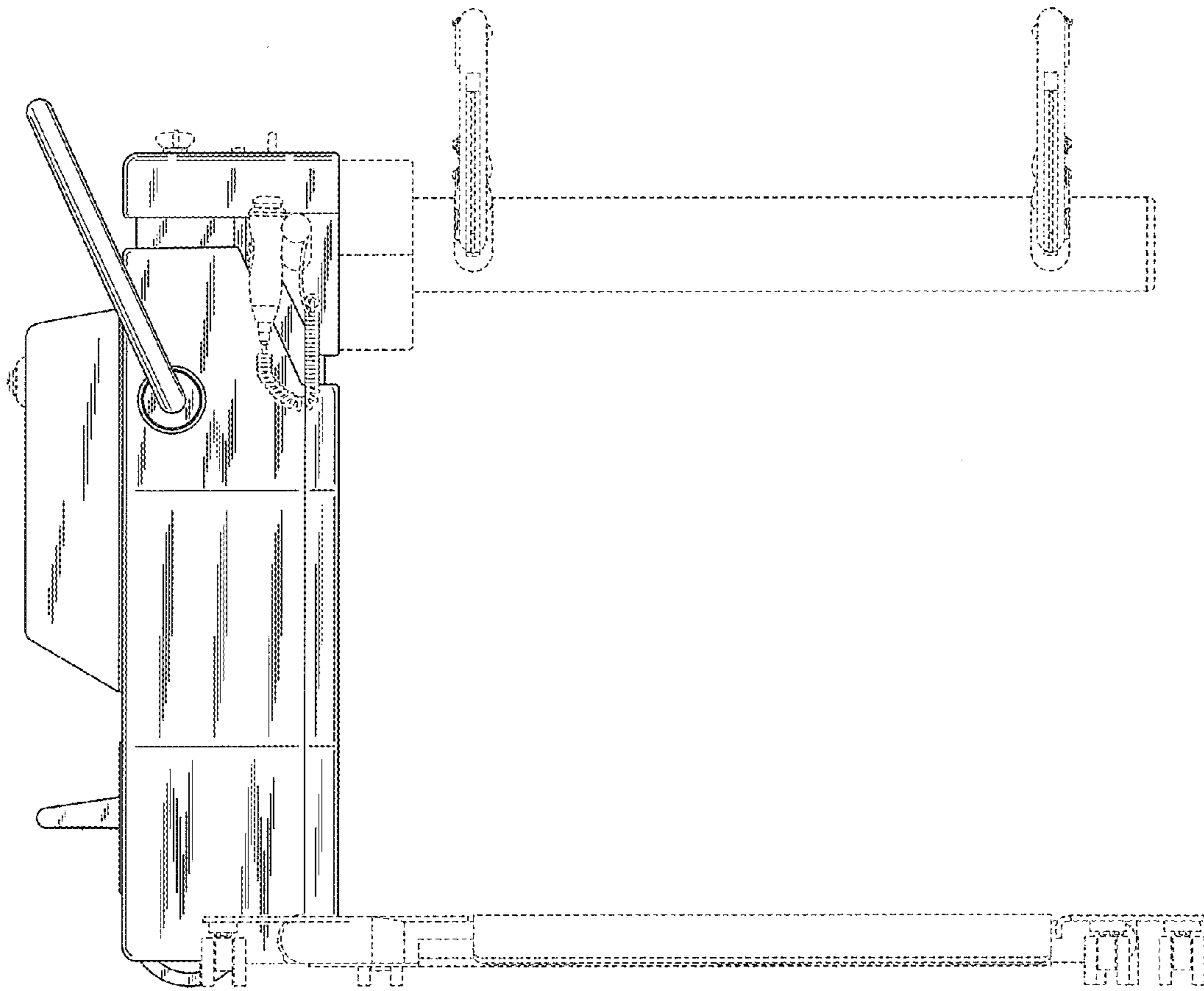


FIG. 12

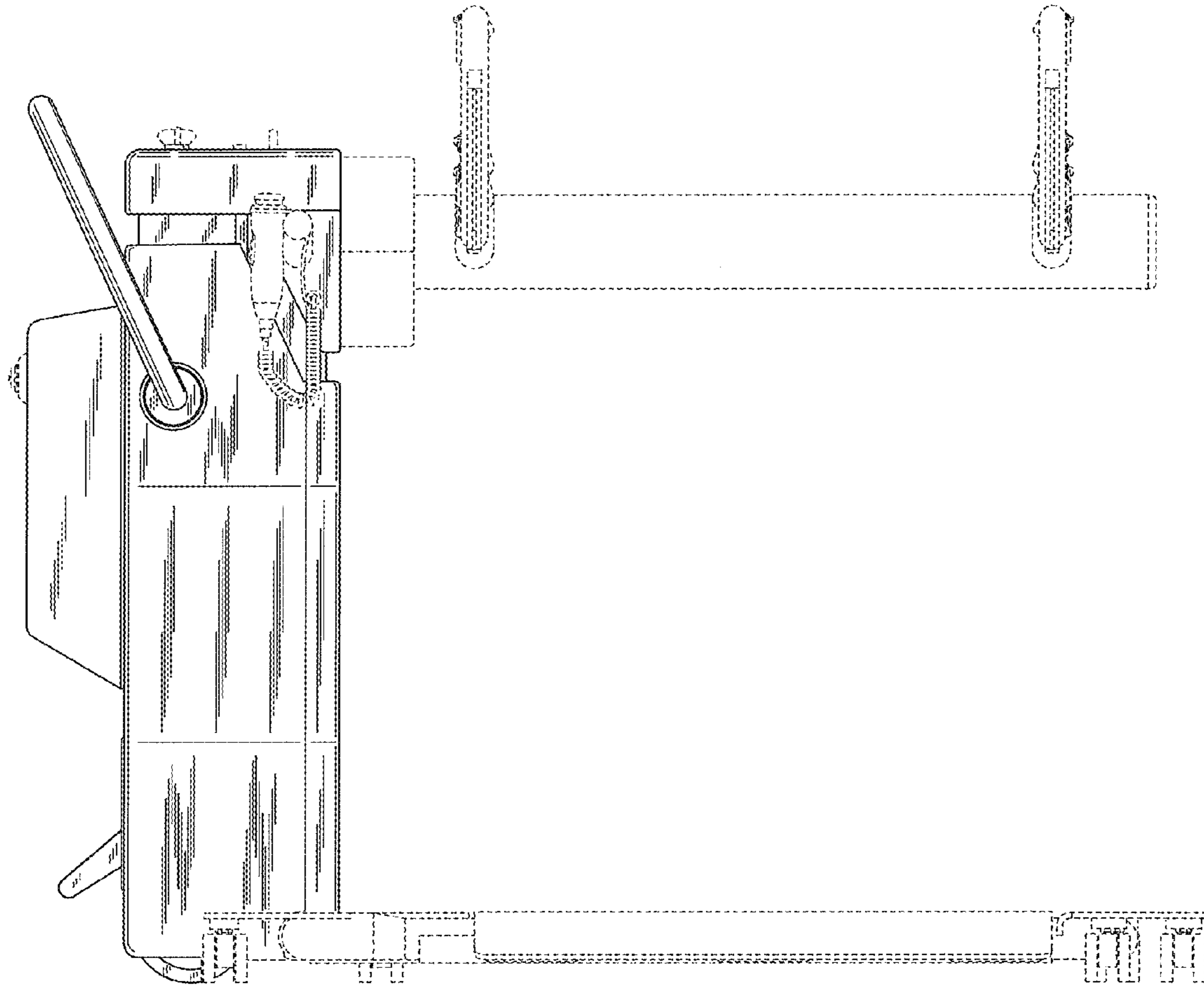


FIG. 13

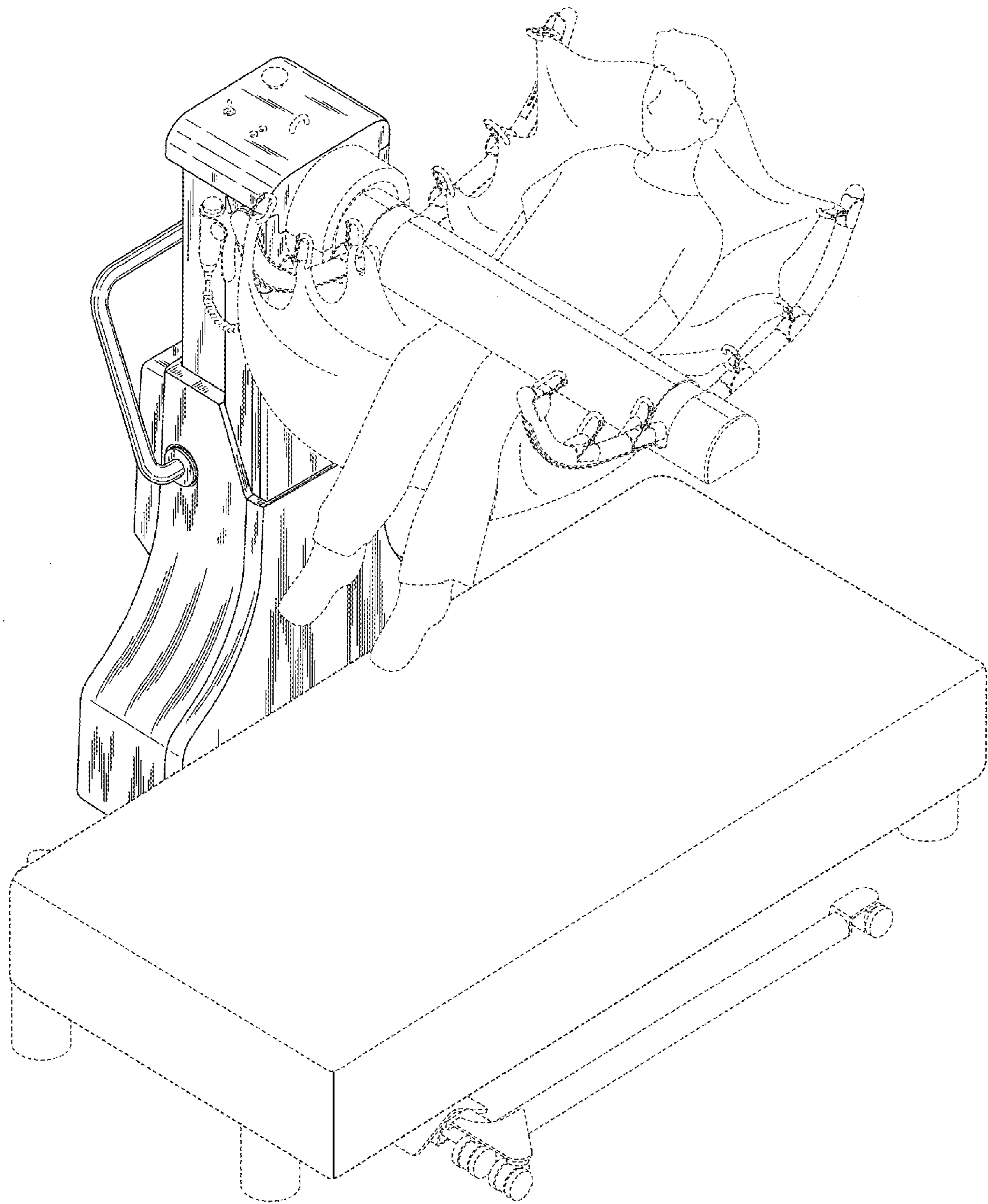


FIG. 14

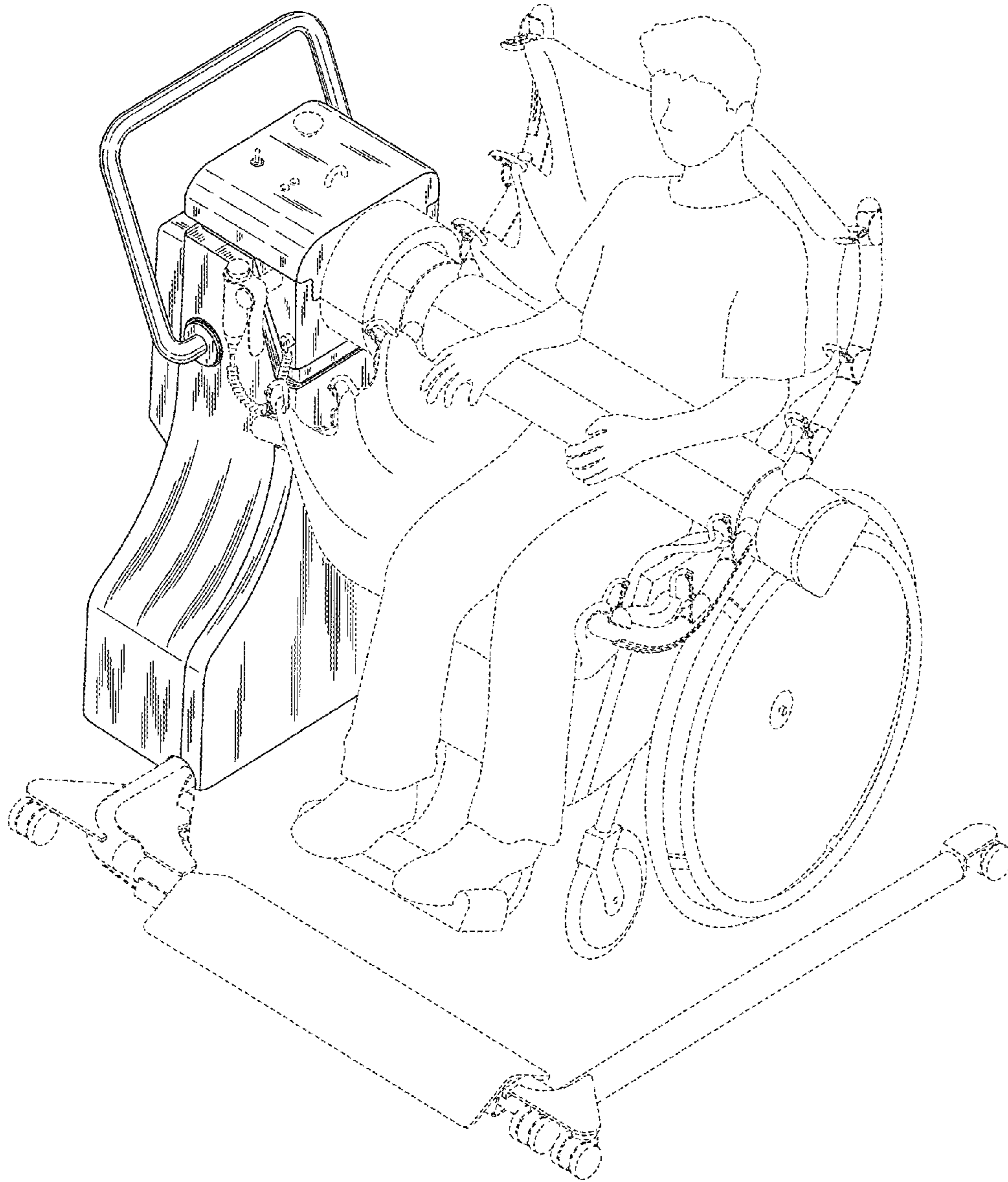


FIG. 15